



712-388 Environmental User-Installable Splice Kit for Series 75 Flexible Metal-Core Conduit

712-388 S 20 C 24 A

Product Series ———— |
 Basic No ———— |
 Material/Finish (Table II) ———— |
 Dash No. (Table I), "A" End ———— |

Conduit Type, "B" End ———— |
 Dash No. (Table I), "B" End ———— |
 Conduit Type, "A" End ———— |

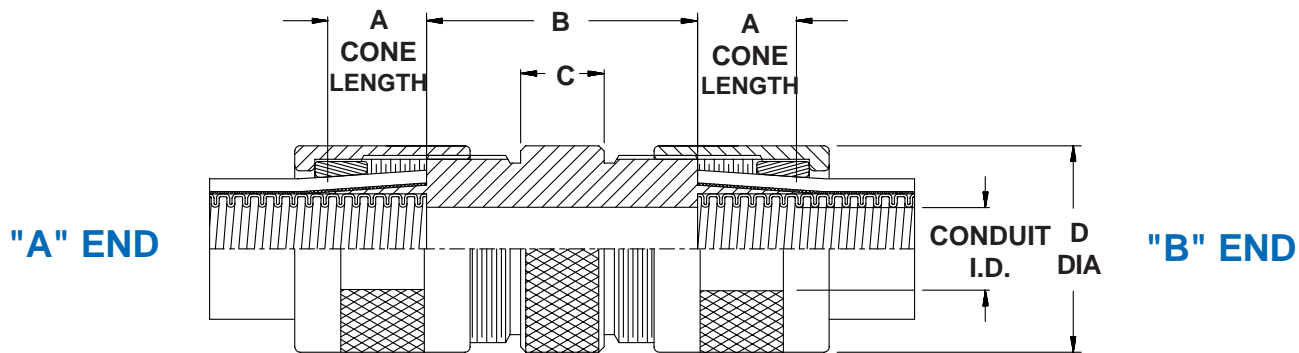


TABLE I

DASH NO.	CONDUIT I.D.	A	B	C	D MAX (NOTE 2)
08	.250 (6.4)	.75 (19.1)	1.78 (45.2)	.50 (12.7)	1.16 (29.5)
12	.375 (9.5)	.75 (19.1)	1.78 (45.2)	.50 (12.7)	1.28 (32.5)
16	.500 (12.7)	.75 (19.1)	1.84 (46.7)	.56 (14.2)	1.40 (35.6)
20	.625 (15.9)	.75 (19.1)	1.84 (46.7)	.56 (14.2)	1.59 (40.4)
24	.750 (19.1)	.75 (19.1)	1.90 (48.3)	.62 (15.7)	1.78 (45.2)
32	1.000 (25.4)	.75 (19.1)	1.90 (48.3)	.62 (15.7)	1.96 (49.8)
40	1.250 (31.8)	1.00 (25.4)	1.96 (49.8)	.68 (17.3)	2.28 (57.9)
48	1.500 (38.1)	1.00 (25.4)	1.96 (49.8)	.68 (17.3)	2.66 (67.6)
56	1.750 (44.5)	1.00 (25.4)	1.96 (49.8)	.75 (19.1)	2.96 (75.2)
64	2.000 (50.8)	1.00 (25.4)	2.03 (51.6)	.75 (19.1)	3.16 (80.3)
80	2.500 (63.5)	1.00 (25.4)	2.03 (51.6)	.75 (19.1)	3.86 (98.0)
96	3.000 (76.2)	1.00 (25.4)	2.03 (51.6)	.75 (19.1)	4.38 (111.3)

NOTES:

1. Metric dimensions (mm) are in parentheses.
2. D dimension is based on type A construction, add .125 (3.2) to listed dimensions for additional shield types B through D.

SYMBOL	MATERIAL	FINISH
A	Aluminum Alloy, 6061-T6 per QQ-A-225/8	Cadmium, Olive Drab, per QQ-P-416, over Electroless Nickel per ASTM B733-90, and MIL-C-26074, 500 Hour Salt Spray
B	Brass, ASTM B16 per QQ-B-626	
C	Corrosion Resistant Steel per QQ-S-763, 300 Series	Passivate per QQ-P-35
M	Aluminum Alloy, 6061-T6 per QQ-A-225/8	Electroless Nickel per ASTM B733-90 and MIL-C-26074
NC	Aluminum Alloy, 6061-T6 per QQ-A-225/8	Zinc Cobalt, Olive Drab
S	Carbon Steel, B1113, per QQ-S-637	Cadmium, Olive Drab per QQ-P-416, over Electroless Nickel per ASTM B733-90 and MIL-C-26074, 500 Hour Salt Spray