

Am79C940

Media Access Controller for Ethernet (MACE™)

DISTINCTIVE CHARACTERISTICS

- Integrated Controller with Manchester encoder/decoder and 10BASE-T transceiver and AUI port
- Supports IEEE 802.3/ANSI 8802-3 and Ethernet standards
- 84-pin PLCC and 100-pin PQFP Packages
- 80-pin Thin Quad Flat Pack (TQFP) package available for space critical applications such as PCMCIA
- Modular architecture allows easy tuning to specific applications
- High speed, 16-bit synchronous host system interface with 2 or 3 cycles/transfer
- Individual transmit (136 byte) and receive (128 byte) FIFOs provide increase of system latency and support the following features:
 - Automatic retransmission with no FIFO reload
 - Automatic receive stripping and transmit padding (individually programmable)
 - Automatic runt packet rejection
 - Automatic deletion of collision frames
 - Automatic retransmission with no FIFO reload
- Direct slave access to all on board configuration/status registers and transmit/receive FIFOs
- Direct FIFO read/write access for simple interface to DMA controllers or I/O processors
- Arbitrary byte alignment and little/big endian memory interface supported
- Internal/external loopback capabilities
- External Address Detection Interface (EADI™) for external hardware address filtering in bridge/router applications
- JTAG Boundary Scan (IEEE 1149.1) test access port interface for board level production test
- Integrated Manchester Encoder/Decoder
- Digital Attachment Interface (DAI™) allows by-passing of differential Attachment Unit Interface (AUI)
- Supports the following types of network interface:
 - AUI to external 10BASE2, 10BASE5 or 10BASE-F MAU
 - DAI port to external 10BASE2, 10BASE5, 10BASE-T, 10BASE-F MAU
 - General Purpose Serial Interface (GPSI) to external encoding/decoding scheme
 - Internal 10BASE-T transceiver with automatic selection of 10BASE-T or AUI port
- Sleep mode allows reduced power consumption for critical battery powered applications
- 5 MHz-25 MHz system clock speed
- Support for operation in industrial temperature range (–40°C to +85°C) available in all three packages

GENERAL DESCRIPTION

The Media Access Controller for Ethernet (MACE) chip is a CMOS VLSI device designed to provide flexibility in customized LAN design. The MACE device is specifically designed to address applications where multiple I/O peripherals are present, and a centralized or system specific DMA is required. The high speed, 16-bit synchronous system interface is optimized for an external DMA or I/O processor system, and is similar to many existing peripheral devices, such as SCSI and serial link controllers.

The MACE device is a slave register based peripheral. All transfers to and from the system are performed using simple memory or I/O read and write commands. In conjunction with a user defined DMA engine, the MACE chip provides an IEEE 802.3 interface tailored to a specific application. Its superior modular architecture and versatile system interface allow the MACE device to be configured as a stand-alone device or as a connectivity cell incorporated into a larger, integrated system.

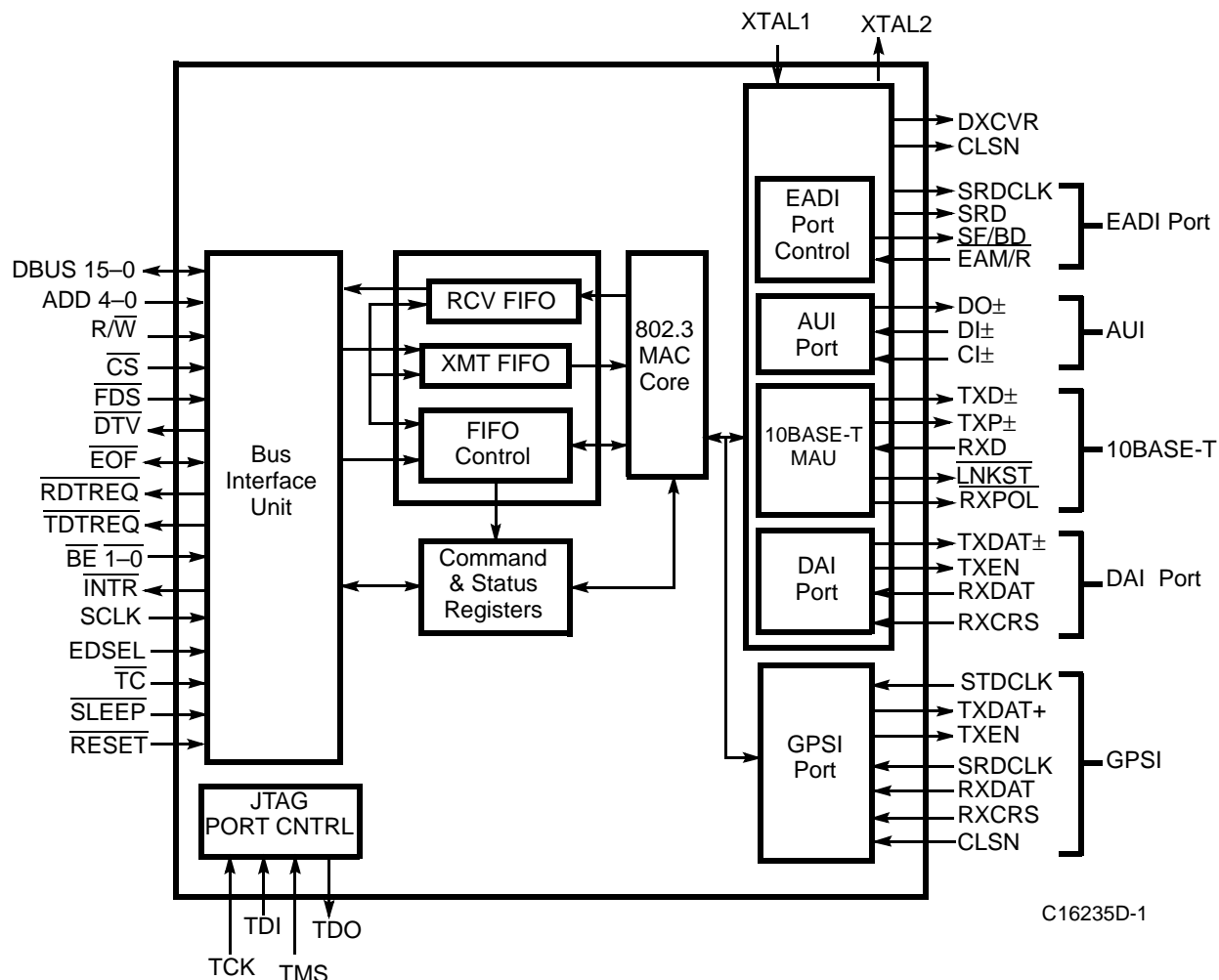
The MACE device provides a complete Ethernet node solution with an integrated 10BASE-T transceiver, and supports up to 25-MHz system clocks. The MACE device embodies the Media Access Control (MAC) and Physical Signaling (PLS) sub-layers of the IEEE 802.3 standard, and provides an IEEE defined Attachment Unit Interface (AUI) for coupling to an external Medium Attachment Unit (MAU). The MACE device is compliant with 10BASE2, 10BASE5, 10BASE-T, and 10BASE-F transceivers.

Additional features also enhance over-all system design. The individual transmit and receive FIFOs optimize system overhead, providing substantial latency during packet transmission and reception, and minimizing intervention during normal network error recovery. The integrated Manchester encoder/decoder eliminates the need for an external Serial Interface Adapter (SIA) in the node system. If support for an external encoding/decoding scheme is desired, the General Purpose Serial Interface (GPSI) allows direct access to/from the MAC. In addition, the Digital Attachment Interface (DAI), which is a simplified electrical attachment specification, allows implementation of MAUs that do not require DC isolation between the MAU and DTE. The DAI port can also be used to indicate transmit, receive, or collision status by connecting LEDs to the port. The MACE device also provides an External Address Detection Interface (EADI) to allow external hardware address filtering in internet working applications.

The Am79C940 MACE chip is offered in a Plastic Leadless Chip Carrier (84-pin PLCC), a Plastic Quad Flat Package (100-pin PQFP), and a Thin Quad Flat Package (TQFP 80-pin). There are several small functional and physical differences between the 80-pin TQFP and the 84-pin PLCC and 100-pin PQFP configurations. Because of the smaller number of pins in the TQFP configuration versus the PLCC configuration, four pins are not bonded out. Though the die is identical in all three package configurations, the removal of these four pins does cause some functionality differences between the TQFP and the PLCC and PQFP configurations. Depending on the application, the removal of these pins will or will not have an effect. (See section: "Pins Removed for TQFP Package and Their Effects.")

With the rise of embedded networking applications operating in harsh environments where temperatures may exceed the normal commercial temperature (0°C to +70°C) window, an industrial temperature (-40°C to +85°C) version is available in all three packages; 84-pin PLCC, 100-pin PQFP and 80-pin TQFP. The industrial temperature version of the MACE Ethernet controller is characterized across the industrial temperature range (-40°C to +85°C) within the published power supply specification (4.75 V to 5.25 V; i.e., $\pm 5\%$ V_{CC}). Thus, conformance of MACE performance over this temperature range is guaranteed by the design and characterization monitor.

BLOCK DIAGRAM



Notes:

1. Only one of the network ports AUI, 10BASE-T, DAI port or GPSI can be active at any time. Some shared signals are active regardless of which network port is active, and some are reconfigured.
2. The EADI port is active at all times.

TABLE OF CONTENTS

AM79C9401

DISTINCTIVE CHARACTERISTICS1

GENERAL DESCRIPTION1

BLOCK DIAGRAM3

TABLE OF CONTENTS4

CONNECTION DIAGRAMS PL 084 PLCC PACKAGE7

CONNECTION DIAGRAMS PQR100 PQFP PACKAGE8

CONNECTION DIAGRAMS PQT080 TQFP PACKAGE9

ORDERING INFORMATION10

 Standard Products10

PIN/PACKAGE SUMMARY (PLCC)11

PIN DESCRIPTION19

 Network Interfaces19

 Attachment Unit Interface (AUI)19

 CI+/CI19

 DI+/DI19

 DO+/DO19

 Digital Attachment Interface (DAI)19

 TXDAT+/TXDAT-19

TXEN/TXEN20

 Transmit Enable (Output)20

 RXDAT20

 RXCRS20

 DXCVR21

10BASE-T INTERFACE23

 TXD+, TXD-23

 TXP+, TXP-23

 RXD+, RXD-23

 LNKST23

 RXPOL23

 General Purpose Serial Interface (GPSI)23

 STDCLK23

CLSN24

 External Address Detection Interface (EADI)24

 SF/BD24

 SRD24

 EAM/R24

 SRDCLK24

HOST SYSTEM INTERFACE26

 DBUS15-026

 ADD4-026

 R/W26

 RDTREQ26

 TDTREQ26

 FDS26

 DTV26

 EOF26

 BE1-026

 CS27

 INTR27

 RESET27

 SCLK27

 EDSEL27

 TC27

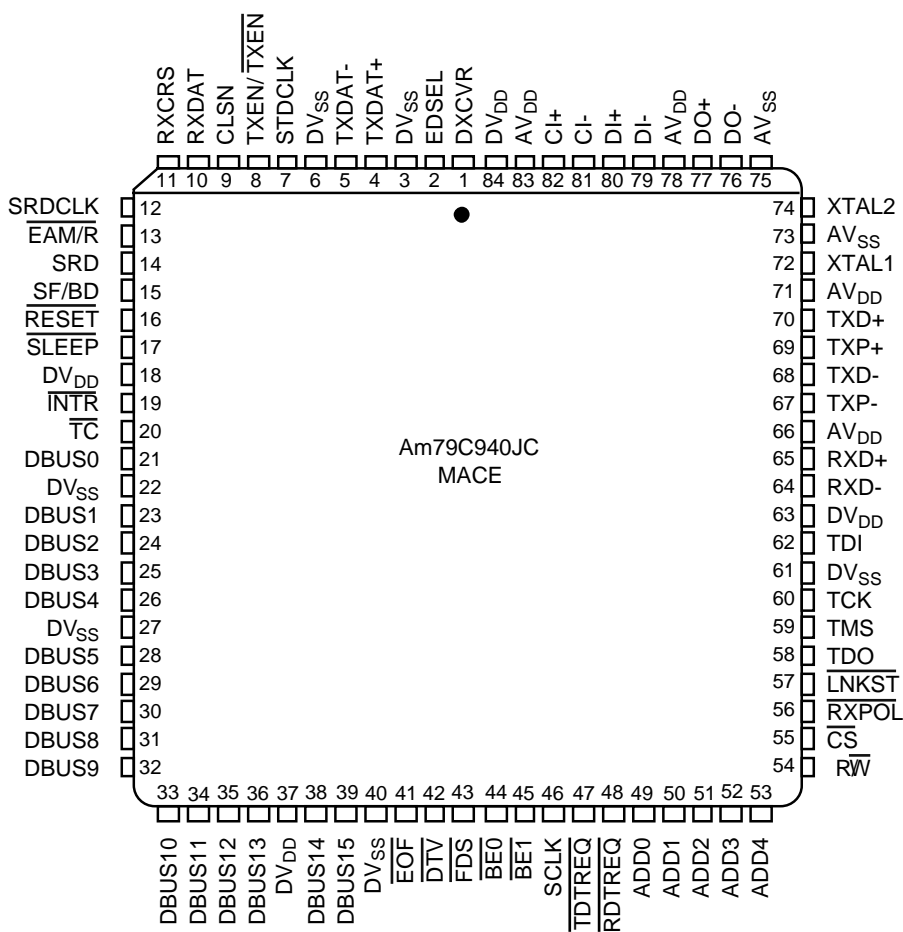
 IEEE 1149.1 TEST ACCESS PORT (TAP) INTERFACE27

 TCK27

TMS	27
TDI	27
TDO	27
GENERAL INTERFACE	27
XTAL1	27
XTAL2	27
SLEEP	27
Power Supply	28
DVDD	28
DVSS	28
AVDD	28
AVSS	28
PIN FUNCTIONS NOT AVAILABLE WITH THE 80-PIN TQFP PACKAGE	28
PINS REMOVED FOR TQFP PACKAGE AND THEIR EFFECTS	28
FUNCTIONAL DESCRIPTION	30
Network Interfaces	30
System Interface	30
DETAILED FUNCTIONS	31
Block Level Description	31
Bus Interface Unit (BIU)	31
BIU to FIFO Data Path	31
Byte Alignment For FIFO Read Operations	32
BIU to Control and Status Register Data Path	32
FIFO Subsystem	32
Media Access Control (MAC)	35
Manchester Encoder/Decoder (MENDEC)	38
Attachment Unit Interface (AUI)	41
Digital Attachment Interface (DAI)	42
10BASE-T Interface	42
Twisted Pair Transmit Function	42
Twisted Pair Receive Function	42
Link Test Function	43
Polarity Detection and Reversal	43
Twisted Pair Interface Status	44
Collision Detect Function	44
Signal Quality Error (SQE) Test (Heartbeat) Function	44
Jabber Function	45
External Address Detection Interface (EADI)	45
Internal/External Address Recognition Capabilities	46
General Purpose Serial Interface (GPSI)	46
IEEE 1149.1 Test Access Port Interface	46
SLAVE ACCESS OPERATION	47
Read Access	47
Write Access	48
Initialization	48
Reinitialization	49
TRANSMIT OPERATION	49
Transmit FIFO Write	49
Transmit Function Programming	49
Automatic Pad Generation	50
Transmit FCS Generation	51
Transmit Status Information	51
Transmit Exception Conditions	51
RECEIVE OPERATION	54
Receive FIFO Read	54
Receive Function Programming	54
Automatic Pad Stripping	55
Receive FCS Checking	55

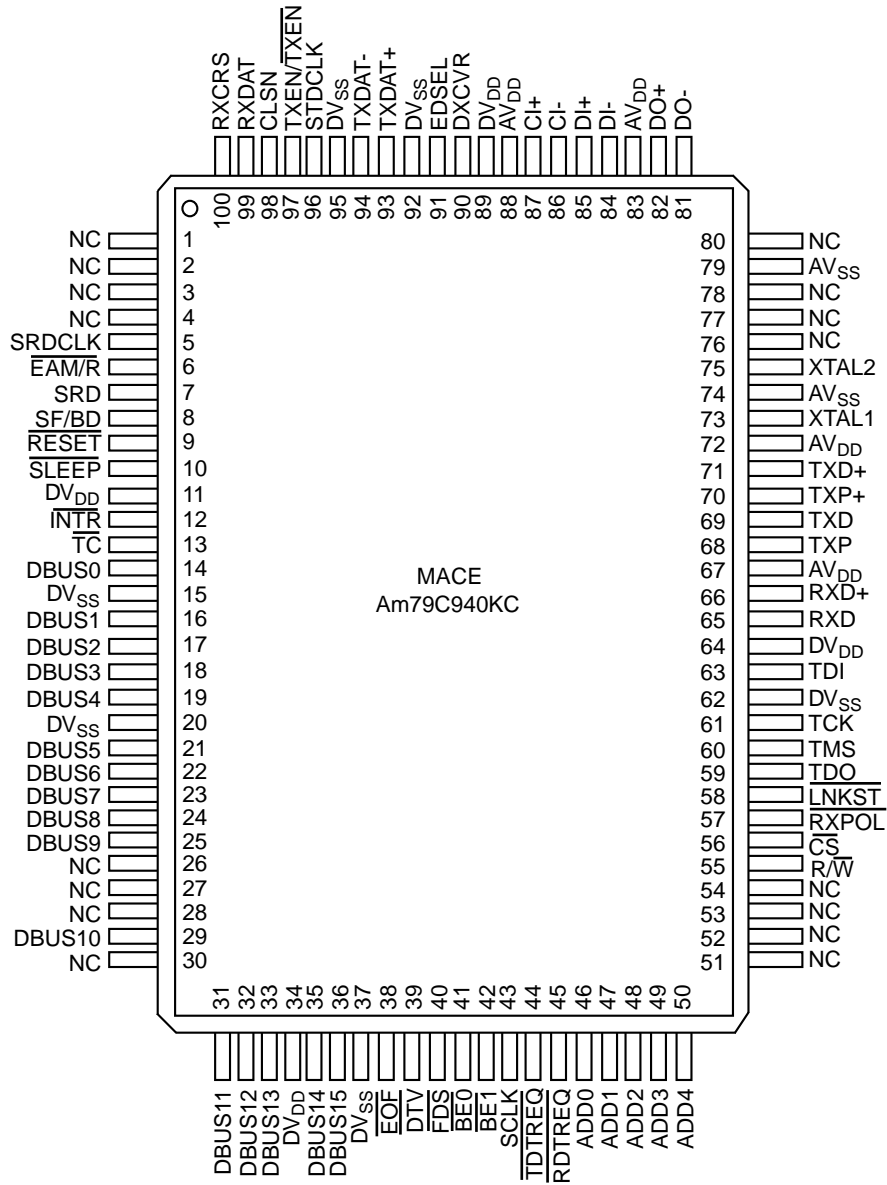
Receive Status Information55
Receive Exception Conditions56
LOOPBACK OPERATION57
USER ACCESSIBLE REGISTERS57
8-Bit Registers75
Programmer's Register Model76
Missing Table Title?80
SYSTEM APPLICATIONS80
Host System Examples80
NETWORK INTERFACES83
External Address Detection Interface (EADI)83
MACE Compatible AUI Isolation Transformers88
MANUFACTURER CONTACT INFORMATION89
ABSOLUTE MAXIMUM RATINGS90
OPERATING RANGES90
Commercial (C) Devices90
Industrial (I) Devices90
V _{CC} Supply Voltages90
DC CHARACTERISTICS (UNLESS OTHERWISE NOTED, PARAMETRIC VALUES ARE THE SAME BETWEEN COMMERCIAL DEVICES AND INDUSTRIAL DEVICES.)90
AC CHARACTERISTICS (UNLESS OTHERWISE NOTED, PARAMETRIC VALUES ARE THE SAME BETWEEN COMMERCIAL DEVICES AND INDUSTRIAL DEVICES.)93
KEY TO SWITCHING WAVEFORMS97
SWITCHING TEST CIRCUITS98
PHYSICAL DIMENSIONS*117
PL 084117
84-Pin Plastic Leaded Chip Carrier (measured in inches)117
PHYSICAL DIMENSIONS*118
PQR100118
100-Pin Plastic Quad Flat Pack; Trimmed and Formed (measured in millimeters)118
PHYSICAL DIMENSIONS119
PQR100 100-Pin Plastic Quad Flat Pack with Molded Carrier Ring (measured in millimeters)119
PHYSICAL DIMENSIONS* PQT080 80-Pin Thin Quad Flat Package (measured in millimeters)	.120
LOGICAL ADDRESS FILTERING FOR ETHERNET121
BSDI DESCRIPTION OF AM79C940 MACE JTAG STRUCTURE123
AM79C940 MACE REV C0 SILICON ERRATA141

CONNECTION DIAGRAMS
 PL 084
 PLCC PACKAGE



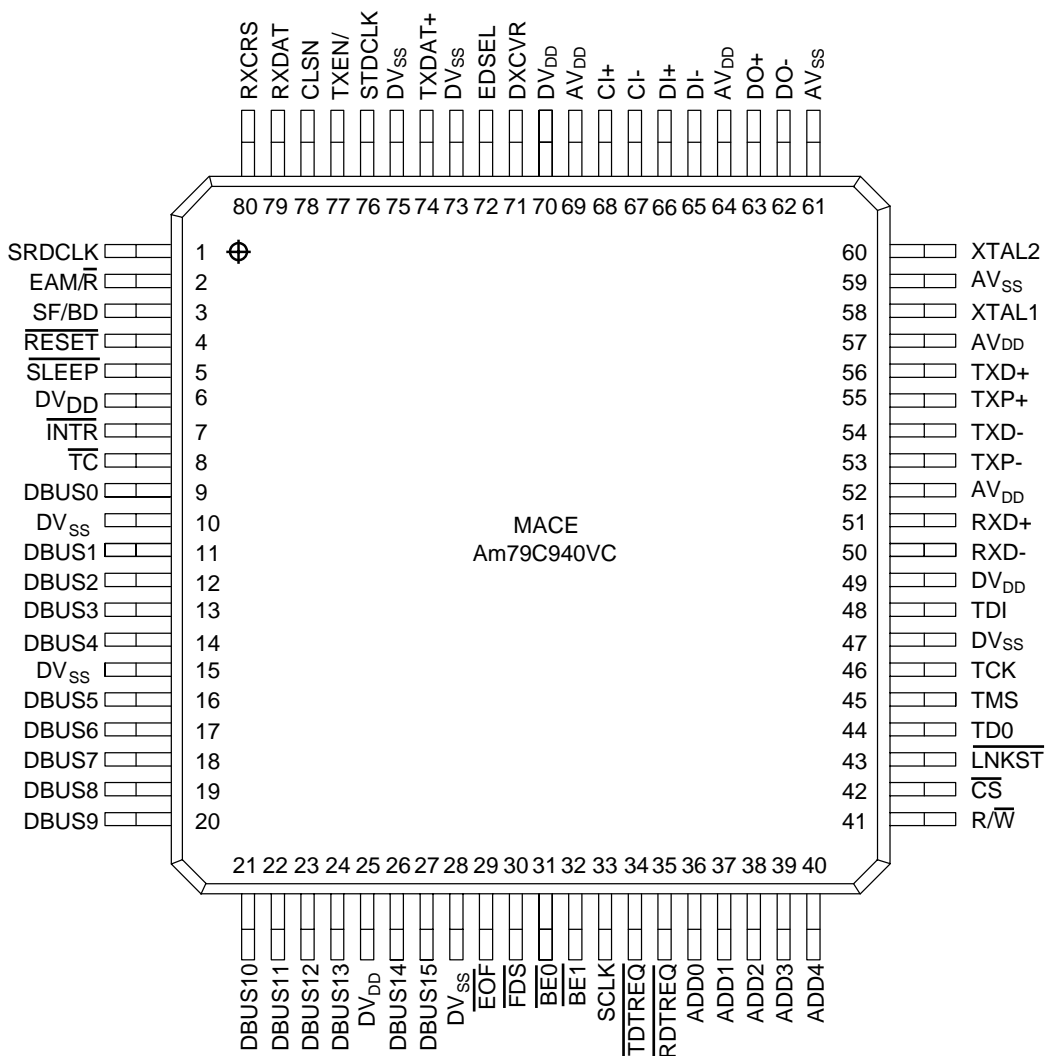
16235D-2

CONNECTION DIAGRAMS
PQR100
PQFP PACKAGE



16235D-3

CONNECTION DIAGRAMS
PQT080
TQFP PACKAGE



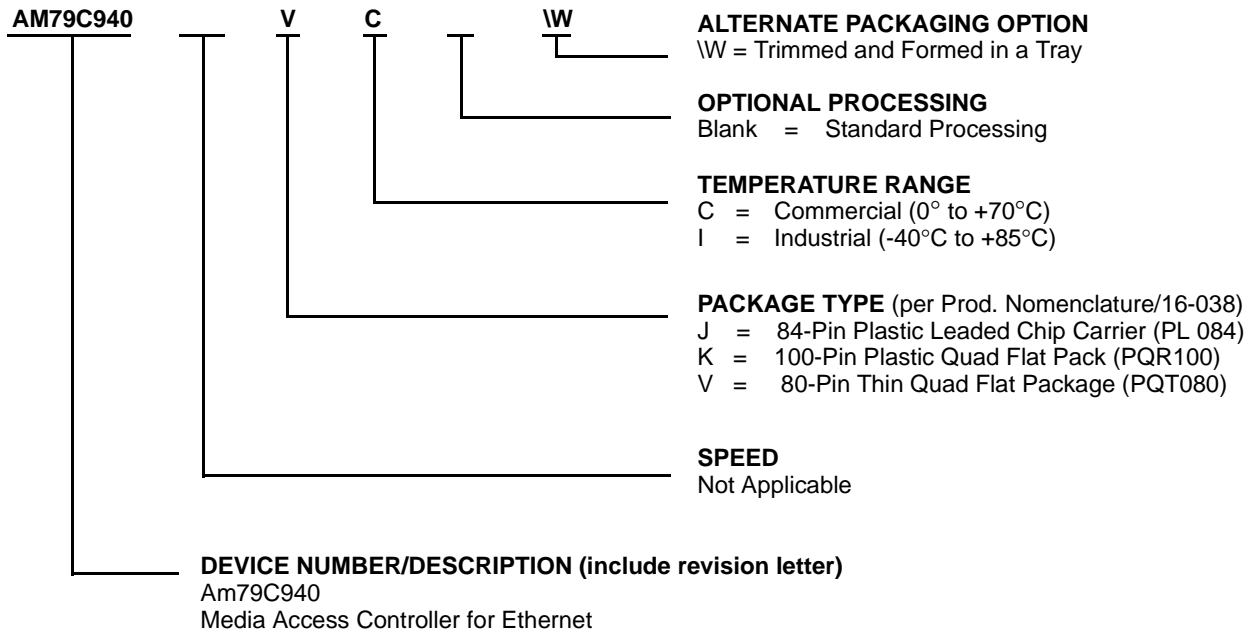
16235D-4

Notes: Four pin functions available on the PLCC and PQFP packages are not available with the TQFP package. (See full data sheet for description of pins not included with the 80-pin TQFP package. In particular, see section "Pin Functions not available with the 80-pin TQFP package.")

ORDERING INFORMATION

Standard Products

AMD standard products are available in several packages and operating ranges. The order number (Valid Combination) is formed by a combination of:



Valid Combinations	
AM79C940	JC, KC, KC\W, VC, VC\W
AM79C940	JI, KI, KI\W, VI, VI\W

Valid Combinations

The Valid Combinations table lists configurations planned to be supported in volume for this device. Consult the local AMD sales office to confirm availability of specific valid combinations and to check on newly released combinations.

Note:

Currently the silicon revision level of the MACE Ethernet controller is revision C0. This is designated by the marking on the package as Am79C940Bxx, where "xx" indicate package type and temperature range.

PIN/PACKAGE SUMMARY (PLCC)

PLCC Pin #	Pin Name	Pin Function
1	DXCVR	Disable Transceiver
2	EDSEL	Edge Select
3	DV _{SS}	Digital Ground
4	TXDAT+	Transmit Data +
5	TXDAT-	Transmit Data -
6	DV _{SS}	Digital Ground
7	STDCLK	Serial Transmit Data Clock
8	TXEN/TXEN	Transmit Enable
9	CLSN	Collision
10	RXDAT	Receive Data
11	RXCRS	Receive Carrier Sense
12	SRDCLK	Serial Receive Data Clock
13	EAM/R	External Address Match/Reject
14	SRD	Serial Receive Data
15	SF/BD	Start Frame/Byte Delimiter
16	RESET	Reset
17	SLEEP	Sleep Mode
18	DV _{DD}	Digital Power
19	INTR	Interrupt
20	TC	Timing Control
21	DBUS0	Data Bus0
22	DV _{SS}	Digital Ground
23	DBUS1	Data Bus1
24	DBUS2	Data Bus2
25	DBUS3	Data Bus3
26	DBUS4	Data Bus4
27	DV _{SS}	Digital Ground
28	DBUS5	Data Bus5
29	DBUS6	Data Bus6
30	DBUS7	Data Bus7
31	DBUS8	Data Bus8
32	DBUS9	Data Bus9
33	DBUS10	Data Bus10
34	DBUS11	Data Bus11
35	DBUS12	Data Bus12
36	DBUS13	Data Bus13
37	DV _{DD}	Digital Power
38	DBUS14	Data Bus14
39	DBUS15	Data Bus15
40	DV _{SS}	Digital Ground
41	EOF	End Of Frame
42	DTV	Data Transfer Valid
43	FDS	FIFO Data Strobe
44	BE0	Byte Enable0

PIN/PACKAGE SUMMARY (continued)

PLCC Pin #	Pin Name	Pin Function
45	BE1	Byte Enable 1
46	SCLK	System Clock
47	$\overline{\text{TDTREQ}}$	Transmit Data Transfer Request
48	$\overline{\text{RDTREQ}}$	Receive Data Transfer Request
49	ADD0	Address0
50	ADD1	Address1
51	ADD2	Address2
52	ADD3	Address3
53	ADD4	Address4
54	R/W	Read/Write
55	$\overline{\text{CS}}$	Chip Select
56	$\overline{\text{RXPOL}}$	Receive Polarity
57	$\overline{\text{LNKST}}$	Link Status
58	TDO	Test Data Out
59	TMS	Test Mode Select
60	TCK	Test Clock
61	DV _{SS}	Digital Ground
62	TDI	Test Data Input
63	DV _{DD}	Digital Power
64	RXD-	Receive Data-
65	RXD+	Receive Data+
66	AV _{DD}	Analog Power
67	TXP-	Transmit Pre-distortion
68	TXD-	Transmit Data-
69	TXP+	Transmit Pre-distortion+
70	TXD+	Transmit Data+
71	AV _{DD}	Analog Power
72	XTAL1	Crystal Output
73	AV _{SS}	Analog Ground
74	XTAL2	Crystal Output
75	AV _{SS}	Analog Ground
76	DO-	Data Out-
77	DO+	Data Out+
78	AV _{DD}	Analog Power
79	DI-	Data In-
80	DI+	Data In+
81	CI-	Control In-
82	CI+	Control In+
83	AV _{DD}	Analog Power
84	DV _{DD}	Digital Power

PIN/PACKAGE SUMMARY (PQFP) (continued)

PQFP Pin #	Pin Name	Pin Function
1	NC	No Connect
2	NC	No Connect
3	NC	No Connect
4	NC	No Connect
5	SHDCLK	Serial Receive Data Clock
6	EAM/R	External Address Match/Reject
7	SRD	Serial Receive Data
8	SF/BD	Start Frame/Byte Delimiter
9	RESET	Reset
10	SLEEP	Sleep Mode
11	DVDD	Digital Power
12	INTR	Interrupt
13	TC	Timing Control
14	DBUS0	Data Bus0
15	DV _{SS}	Digital Ground
16	DBUS1	Data Bus1
17	DBUS2	Data Bus2
18	DBUS3	Data Bus3
19	DBUS4	Data Bus4
20	DV _{SS}	Digital Ground
21	DBUS5	Data Bus5
22	DBUS6	Data Bus6
23	DBUS7	Data Bus7
24	DBUS8	Data Bus8
25	DBUS9	Data Bus9
26	NC	No Connect
27	NC	No Connect
28	NC	No Connect
29	DBUS10	Data Bus10
30	NC	No Connect
31	DBUS11	Data Bus11
32	DBUS12	Data Bus12
33	DBUS13	Data Bus13
34	DV _{DD}	Digital Power
35	DBUS14	Data Bus14
36	DBUS15	Data Bus15
37	DV _{SS}	Digital Ground
38	EOF	End of Frame
39	DTV	Data Transfer Valid
40	FDS	FIFO Data Strobe
41	BE0	Byte Enable0
42	BE1	Byte Enable1

PIN/PACKAGE SUMMARY (continued)

PQFP Pin #	Pin Name	Pin Function
43	SCLK	System Clock
44	TDTREQ	Transmit Data Transfer Request
45	RDTREQ	Receive Data Transfer Request
46	ADD0	Address0
47	ADD1	Address1
48	ADD2	Address2
49	ADD3	Address3
50	ADD4	Address4
51	NC	No Connect
52	NC	No Connect
53	NC	No Connect
54	NC	No Connect
55	R/W	Read/Write
56	CS	Chip Select
57	RXPOL	Receive Polarity
58	LNKST	Link Status
59	TDO	Test Data Out
60	TMS	Test Mode Select
61	TCK	Test Clock
62	DV _{SS}	Digital Ground
63	TDI	Test Data Input
64	DV _{DD}	Digital Power
65	RXD-	Receive Data-
66	RXD+	Receive Data+
67	AV _{DD}	Analog Power
68	TXP-	Transmit Pre-distortion-
69	TXD-	Transmit Data-
70	TXP+	Transmit Pre-distortion+
71	TXD+	Transmit Data+
72	AV _{DD}	Analog Power
73	XTAL1	Crystal Input
74	AV _{SS}	Analog Ground
75	XTAL2	Crystal Output
76	NC	No Connect
77	NC	No Connect
78	NC	No Connect
79	AV _{SS}	Analog Ground
80	NC	No Connect
81	DO-	Data Out-
82	DO+	Data Out+
83	AV _{DD}	Analog Power
84	DI-	Data In-
85	DI+	Data In+

PIN/PACKAGE SUMMARY (continued)

PQFP Pin #	Pin Name	Pin Function
86	CI-	Control In-
87	CI+	Control In+
88	AV _{DD}	Analog Power
89	DV _{DD}	Digital Power
90	DXCVR	Disable Transceiver
91	EDSEL	Edge Select
92	DV _{SS}	Digital Ground
93	TXDAT+	Transmit Data +
94	TXDAT-	Transmit Data-
95	DV _{SS}	Digital Ground
96	STDCLK	Serial Transmit Data Clock
97	TXEN/TXEN	Transmit Enable
98	CLSN	Collision
99	RXDAT	Receive Data
100	RXCRS	Receive Carrier Sense

PIN/PACKAGE SUMMARY (TQFP) (continued)

TQFP #	Pin Name	Pin Function	TQFP Pin Number	Pin Name	Pin Function
1	SRDCLK	Serial Receive Data Clock	41	R/W	Read/Write
2	EAM/R	External Address Match/Reject	42	CS	Chip/Select
3	SF/BD	Start Frame/Byte Delimiter	43	LNKST	Link Status
4	RESET	Reset	44	TDO	Test Data Out
5	SLEEP	Sleep Mode	45	TMS	Test Mode Select
6	DVDD	Digital Power	46	TCK	Text Clock
7	INTR	Interrupt	47	DVSS	Digital Ground
8	TC	Timing Control	48	TDI	Test Data Input
9	DBUS0	Data Bus0	49	DVDD	Digital Power
10	DVSS	Digital Ground	50	RXD-	Receive Data-
11	DBUS1	Data Bus1	51	RXD+	Receive Data+
12	DBUS2	Data Bus2	52	AVDD	Analog Power
13	DBUS3	Data Bus3	53	TXP-	Transmit Pre-distortion-
14	DBUS4	Data Bus4	54	TXD-	Transmit Data-
15	DVSS	Digital Ground	55	TXP+	Transmit Pre-distortion+
16	DBUS5	Data Bus5	56	TXD+	Transmit Data+
17	DBUS6	Data Bus6	57	AVDD	Analog Power
18	DBUS7	Data Bus7	58	XTAL1	Crystal Output
19	DBUS8	Data Bus8	59	AVSS	Analog Ground
20	DBUS9	Data Bus9	60	XTAL2	Crystal Output
21	DBUS10	Data Bus10	61	AVSS	Analog Ground
22	DBUS11	Data Bus11	62	DO-	Data Out-
23	DBUS12	Data Bus12	63	DO+	Data Out+
24	DBUS13	Data Bus13	64	AVDD	Analog Power
25	DVDD	Digital Power	65	DI-	Data In-
26	DBUS14	Data Bus14	66	DI+	Data Out+
27	DBUS15	Data Bus15	67	CI-	Control In-
28	DVSS	Digital Ground	68	CI+	Control In+
29	EOF	End of Frame	69	AVDD	Analog Power
30	FDS	FIFO Data Strobe	70	DVDD	Digital Power
31	BE0	Byte Enable0	71	DXCVR	Disable Transceiver
32	BE1	Byte Enable1	72	EDSEL	Edge Select
33	SCLK	System Clock	73	DVSS	Digital Ground
34	TDTREQ	Transmit Data Transfer Request	74	TXDAT+	Transmit Data+
35	RDTREQ	Receive Data Transfer Request	75	DVSS	Digital Ground
36	ADD0	Address0	76	STDCLK	Serial Transmit Data Clock
37	ADD1	Address1	77	TXEN/TXEN	Transmit Enable
38	ADD2	Address2	78	CLSN	Collision
39	ADD3	Address3	79	RXDAT	Receive Data
40	ADD4	Address4	80	RXCRS	Receive Carrier Sense

PIN SUMMARY

Pin Name	Pin Function	Type	Active	Comment
Attachment Unit Interface (AUI)				
DO+/DO-	Data Out	O		Pseudo-ECL
DI+/DI-	Data In	I		Pseudo-ECL
CI+/CI-	Control In	I		Pseudo-ECL
RXCRS	Receive Carrier Sense	I/O	High	TTL output. Input in DAI, GPSI port
TXEN	Transmit Enable	O	High	TTL. TXEN in DAI port
CLSN	Collision	I/O	High	TTL output. Input in GPSI
DXCVR	Disable Transceiver	O	Low	TTL low
STDCLK	Serial Transmit Data Clock	I/O		Output. Input in GPSI
SRDCLK	Serial Receive Data Clock	I/O		Output. Input in GPSI
Digital Attachment Interface (DAI)				
TXDAT+	Transmit Data +	O	High	TTL. See also GPSI
TXDAT-	Transmit Data-	O	Low	TTL
TXEN	Transmit Enable	O	Low	TTL. See TXEN in GPSI
RXDAT	Receive Data	I		TTL. See also GPSI
RXCRS	Receive Carrier Sense	I/O	High	TTL input. Output in AUI
CLSN	Collision	I/O	High	TTL output. Input in GPSI
DXCVR	Disable Transceiver	O	High	TTL high
STDCLK	Serial Transmit Data Clock	I/O		Output. Input in GPSI
SRDCLK	Serial Receive Data Clock	I/O		Output. Input in GPSI
10BASE-T Interface				
TXD+/TXD-	Transmit Data	O		
TXP+/TXP-	Transmit Pre-distortion	O		
RXD+/RXD-	Receive Data	I		
LNKST	Link Status	O	Low	Open Drain
RXPOL	Receive Polarity	O	Low	Open Drain
TXEN	Transmit Enable	O	High	TTL. TXEN in DAI port
RXCRS	Receive Carrier Sense	I/O	High	TTL output. Input in DAI, GPSI port
CLSN	Collision	I/O	High	TTL output. Input in GPSI
DXCVR	Disable Transceiver	O	High	TTL high
STDCLK	Serial Transmit Data Clock	I/O		Output. Input in GPSI
SRDCLK	Serial Receive Data Clock	I/O		Output. Input in GPSI
General Purpose Serial Interface (GPSI)				
STDCLK	Serial Transmit Data Clock	I/O		Input
TXDAT+	Transmit Data +	O	High	TTL. See also DAI port
TXEN	Transmit Enable	O	High	TTL. TXEN in DAI port
SRDCLK	Serial Receive Data Clock	I/O		Input. See also EADI port
RXDAT	Receive Data	I		TTL. See also DAI port
RXCRS	Receive Carrier Sense	I/O	High	TTL input. Output in AUI
CLSN	Collision	I/O	High	TTL input
DXCVR	Disable Transceiver	O	Low	TTL low

PIN SUMMARY (continued)

Pin Name	Pin Function	Type	Active	Comment
External Address Detection Interface (EADI)				
SF/BD	Start Frame/Byte Delimiter	O	High	
SRD	Serial Receive Data	O	High	
EAM/R	External Address Match/Reject	I	Low	
SRDCLK	Serial Receive Data Clock	I/O		Output except in GPSI
Host System Interface				
DBUS 15–0	Data Bus	I/O	High	
ADD4–0	Address	I	High	
R/W	Read/Write	I	High/Low	
RDTREQ	Receive Data Transfer Request	O	Low	
TDTREQ	Transmit Data Transfer Request	O	Low	
DTV	Data Transfer Valid	O	Low	Tristate
EOF	End Of Frame	I/O	Low	
BE0	Byte Enable 0	I	Low	
BE1	Byte Enable 1	I	Low	
CS	Chip Select	I	Low	
FDS	FIFO Data Strobe	I	Low	
INTR	Interrupt	O	Low	Open Drain
EDSEL	Edge Select	I	High	
TC	Timing Control	I	Low	Internal pull-up
SCLK	System Clock	I	High	
RESET	Reset	I	Low	
IEEE 1149.1 Test Access Port (TAP) Interface				
TCK	Test Clock	I		Internal pull-up
TMS	Test Mode Select	I		Internal pull-up
TDI	Test Data Input	I		Internal pull-up
TDO	Test Data Out	O		
General Interface				
XTAL1	Crystal Input	I		CMOS
XTAL2	Crystal Output	O		CMOS
SLEEP	Sleep Mode	I	Low	TTL
DV _{DD}	Digital Power (4 pins)	P		
DV _{SS}	Digital Power (6 pins)	P		
AV _{DD}	Analog Power (4 pins)	P		
AV _{SS}	Analog Power (2 pins)	P		

PIN DESCRIPTION

Network Interfaces

The MACE device has five potential network interfaces. Only one of the interfaces that provides physical network attachment can be used (active) at any time. Selection between the AUI, 10BASE-T, DAI or GPSI ports is provided by programming the PHY Configuration Control register. The EADI port is effectively active at all times. Some signals, primarily used for status reporting, are active for more than one single interface (the CLSN pin for instance). Under each of the descriptions for the network interfaces, the primary signals which are unique to that interface are described. Where signals are active for multiple interfaces, they are described once under the interface most appropriate.

Attachment Unit Interface (AUI)

CI+/CI

Control In (Input)

A differential input pair, signaling the MACE device that a collision has been detected on the network media, indicated by the CI± inputs being exercised with 10 MHz pattern of sufficient amplitude and duration. Operates at pseudo-ECL levels.

DI+/DI

Data In (Input)

A differential input pair to the MACE device for receiving Manchester encoded data from the network. Operates at pseudo-ECL levels.

DO+/DO

Data Out (Output)

A differential output pair from the MACE device for transmitting Manchester encoded data to the network. Operates at pseudo-ECL levels.

Digital Attachment Interface (DAI)

TXDAT+/TXDAT-

Transmit Data (Output)

When the DAI port is selected, TXDAT± are configured as a complementary pair for Manchester encoded data output from the MACE device, used to transmit data to a local external network transceiver. During valid transmission (indicated by TXEN low), a logical 1 is indicated by the TXDAT+ pin being in the high state and TXDAT- in the low state; and a logical 0 is indicated by the TXDAT+ pin being in the low state and TXDAT- in the high state. During idle (TXEN high), TXDAT+ will be in the high state, and TXDAT- in the low state. When the GPSI port is selected, TXDAT+ will provide NRZ data output from the MAC core, and TXDAT- will be held in the LOW state. Operates at TTL levels. The operations of TXDAT+ and TXDAT- are defined in the following tables:

TXDAT + Configuration

$\overline{\text{SLEEP}}$	PORTSEL [1-0]	ENDPLSIO	Interface Description	Pin Function
0	XX	X	Sleep Mode	High Impedance
1	00	1	AUI	High Impedance (Note 2)
1	01	1	10BASE-T	High Impedance (Note 2)
1	10	1	DAI Port	TXDAT+ Output
1	11	1	GPSI	TXDAT+ Output
1	XX	0	Status Disabled	High Impedance (Note 2)

TXDAT - Configuration

$\overline{\text{SLEEP}}$	PORTSEL [1-0]	ENDPLSIO	Interface Description	Pin Function
0	XX	X	Sleep Mode	High Impedance
1	00	1	AUI	High Impedance
1	01	1	10BASE-T	High Impedance
1	10	1	DAI Port	TXDAT- Output
1	11	1	GPSI	LOW
1	XX	0	Status Disabled	High Impedance

Notes:

1. PORTSEL [1-0] and ENPLSIO are located in the PLS Configuration Control register (REG ADDR 14).
2. This pin should be externally terminated, if unused, to reduce power consumption.

$\overline{\text{TXEN}}$ /TXEN

Transmit Enable (Output)

When the AUI port is selected (PORTSEL [1-0] = 00), an output indicating that the AUI DO \pm differential output has valid Manchester encoded data is presented. When the 10BASE-T port is selected (PORTSEL [1-0] = 01), indicates that Manchester data is being output on the TXD \pm /TXP \pm complementary outputs. When the DAI port is selected (PORTSEL [1-0] = 10), indicates that Manchester data is being output on the DAI port TXDAT \pm complementary outputs. When the GPSI port is selected (PORTSEL [1-0] = 11), indicates that NRZ data is being output from the MAC core of the MACE device, to an external Manchester encoder/decoder, on the TXDAT+ output. Active low when the DAI port is selected, active high when the AUI, 10 BASE-T or GPSI is selected. Operates at TTL levels.

RXDAT

Receive Data (Input)

When the DAI port is selected (PORTSEL [1-0] = 10), the Manchester encoded data input to the integrated clock recovery and Manchester decoder of the MACE device, from an external network transceiver. When the GPSI port is selected (PORTSEL [1-0] = 11), the NRZ

decoded data input to the MAC core of the MACE device, from an external Manchester encoder/decoder. Operates at TTL levels.

RXCRS

Receive Carrier Sense (Input/Output)

When the AUI port is selected (PORTSEL [1-0] = 00), an output indicating that the DI \pm input pair is receiving valid Manchester encoded data from the external transceiver which meets the signal amplitude and pulse width requirements. When the 10BASE-T port is selected (PORTSEL [1-0] = 01), an output indicating that the RXD \pm input pair is receiving valid Manchester encoded data from the twisted pair cable which meets the signal amplitude and pulse width requirements. RXCRS will be asserted high for the entire duration of the receive message. When the DAI port is selected (PORTSEL [1-0] = 10), an input signaling the MACE device that a receive carrier condition has been detected on the network, and valid Manchester encoded data is being presented to the MACE device on the RXDAT line. When the GPSI port is selected (PORTSEL [1-0] = 11), an input signalling the internal MAC core that valid NRZ data is being presented on the RXDAT input. Operates at TTL levels.

$\overline{\text{TXEN}}$ /TXEN Configuration

$\overline{\text{SLEEP}}$	PORTSEL [1-0]	ENPLSIO	Interface Description	Pin Function
0	XX	X	Sleep Mode	High Impedance
1	00	1	AUI	TXEN Output
1	01	1	10BASE-T	TXEN Output
1	10	1	DAI Port	TXEN Output
1	11	1	GPSI	TXEN Output
1	XX	0	Status Disabled	High Impedance (Note 3)

Notes:

1. PORTSEL [1-0] and ENPLSIO are located in the PLS Configuration Control register (REG ADDR 14).
2. When the GPSI port is selected, TXEN should have an external pull-down attached (e.g. 3.3k Ω) to ensure the output is held inactive before ENPLSIO is set.
3. This pin should be externally terminated, if unused, to reduce power consumption.

RXDAT Configuration

$\overline{\text{SLEEP}}$	PORTSEL [1-0]	ENPLSIO	Interface Description	Pin Function
0	XX	X	Sleep Mode	High Impedance
1	00	1	AUI	High Impedance (Note 2)
1	01	1	10BASE-T	High Impedance (Note 2)
1	10	1	DAI Port	RXDAT Input
1	11	1	GPSI	RXDAT Input
1	XX	0	Status Disabled	High Impedance (Note 2)

Notes:

1. PORTSEL [1-0] and ENPLSIO are located in the PLS Configuration Control register (REG ADDR 14).
2. This pin should be externally terminated, if unused, to reduce power consumption.

RXCRS Configuration

$\overline{\text{SLEEP}}$	PORTSEL [1-0]	ENDPLSIO	Interface Description	Pin Function
0	XX	X	Sleep Mode	High Impedance
1	00	1	AUI	RXCRS Output
1	01	1	10BASE-T	RXCRS Output
1	10	1	DAI Port	RXCRS Output
1	11	1	GPSI	RXCRS Output
1	XX	0	Status Disabled	High Impedance (Note 2)

Notes:

1. PORTSEL [1-0] and ENPLSIO are located in the PLS Configuration Control register (REG ADDR 14).
2. This pin should be externally terminated, if unused, to reduce power consumption.

DXCVR**Disable Transceiver (Output)**

An output from the MACE device to indicate the network port in use, as programmed by the ASEL bit or the PORTSEL [1-0] bits. The output is provided to allow power down of an external DC-to-DC converter, typically used to provide the voltage requirements for an external 10BASE2 transceiver.

When the Auto Select (ASEL) feature is enabled, the state of the PORTSEL [1-0] bits is overridden, and the network interface will be selected by the MACE device,

dependent only on the status of the 10BASE-T link. If the link is active (LNKST pin driven LOW) the 10BASE-T port will be used as the active network interface. If the link is inactive (LNKST pin pulled HIGH) the AUI port will be used as the active network interface. Auto Select will continue to operate even when the $\overline{\text{SLEEP}}$ pin is asserted if the RWAKE bit has been set. The AWAKE bit does not allow the Auto Select function, and only the receive section of 10BASE-T port will be active (DXCVR = HIGH).

Active (HIGH) when either the 10BASE-T or DAI port is selected. Inactive (LOW) when the AUI or GPSI port is selected.

DXCVR Configuration— $\overline{\text{SLEEP}}$ Operation

Sleep Pin	RWAKE Bit	AWAKE Bit	ASEL Bit	$\overline{\text{LNKST}}$ Pin	PORTSEL [1–0] Bits	Interface Description	Pin Function
0	0	0	X	High Impedance	XX	Sleep Mode	High Impedance
0	1	0	0	High Impedance	00	AUI with EADI port	LOW
0	1	0	0	High Impedance	01	10BASE-T with EADI port	HIGH
0	1	0	0	High Impedance	10	Invalid	HIGH
0	1	0	0	High Impedance	11	Invalid	LOW
0	1	0	1	High Impedance	0X	AUI with EADI port	LOW
0	1	0	1	High Impedance	0X	10BASE-T with EADI port	HIGH
0	1	1	1	HIGH	0X	AUI with EADI port	LOW
0	1	1	1	LOW	0X	10BASE-T with EADI port	HIGH
0	0	1	X	X	0X	10BASE-T	HIGH

Note:

1. RWAKE and ASEL are located in the PHY Configuration Control register (REG ADDR 15). PORTSEL [1–0] and ENPLSIO are located in the PLS Configuration Control register (REG ADDR 14). All bits must be programmed prior to the assertion of the $\overline{\text{SLEEP}}$ pin.

DXCVR Configuration—Normal Operation

$\overline{\text{SLEEP}}$ Pin	ASEL Bit	LNKST Pin	PORTSEL [1–0] Bits	ENPLSIO BIT	Interface Description	Pin Function
1	X	X	XX	X	SIA Test Mode	High Impedance
1	0	X	00	X	AUI	LOW
1	0	X	01	X	10BASE-T	HIGH
1	0	X	10	X	DAI port	HIGH
1	0	X	11	X	GPSI	LOW
1	1	HIGH	0X	X	AUI	LOW
1	1	LOW	0X	X	10BASE-T	HIGH

Note:

1. RWAKE and ASEL are located in the PHY Configuration Control register (REG ADDR 15). PORTSEL [1–0] and ENPLSIO are located in the PLS Configuration Control register (REG ADDR 14).

10BASE-T INTERFACE

TXD+, TXD–

Transmit Data (Output)

10BASE–T port differential drivers.

TXP+, TXP–

Transmit Pre-Distortion (Output)

Transmit wave form differential driver for pre-distortion.

RXD+, RXD–

Receive Data (Input)

10BASE–T port differential receiver. These pins should be externally terminated to reduce power consumption if the 10BASE–T interface is not used.

LNKST

Link Status (Output/Open Drain)

This pin is driven LOW if the link is identified as functional. If the link is determined to be nonfunctional, due to missing idle link pulses or data packets, then this pin is not driven (requires external pull-up). In the LOW output state, the pin is capable of sinking a maximum of 12 mA and can be used to drive an LED.

This feature can be disabled by setting the Disable Link Test (DLNKTST) bit in the PHY Configuration Control register. In this case the internal Link Test Receive function is disabled, the LNKST pin will be driven LOW, and the Transmit and Receive functions will remain active regardless of arriving idle link pulses and data. The internal 10BASE-T MAU will continue to generate idle link pulses irrespective of the status of the DLNKTST bit.

RXPOL

Receive Polarity (Output, Open Drain)

The twisted pair receiver is capable of detecting a receive signal with reversed polarity (wiring error). The RXPOL pin is normally in the LOW state, indicating correct polarity of the received signal. If the receiver detects a received packet with reversed polarity, then this pin is not driven (requires external pull-up) and the polarity of subsequent packets are inverted. In the LOW output state, this pin is capable of sinking a maximum of 12mA and can be used to drive an LED.

The polarity correction feature can be disabled by setting the Disable Auto Polarity Correction (DAPC) bit in the PHY Configuration Control register. In this case, the Receive Polarity correction circuit is disabled and the internal receive signal remains non-inverted, irrespective of the received signal. Note that RXPOL will continue to reflect the polarity detected by the receiver.

General Purpose Serial Interface (GPSI)

STDCLK

Serial Transmit Data Clock (Input/Output)

When either the AUI, 10BASE–T or DAI port is selected, STDCLK is an output operating at one half the crystal or XTAL1 frequency. STDCLK is the encoding clock for Manchester data transferred to the output of either the AUI DO± pair, the 10BASE-T TXD±/TXP± pairs, or the DAI port TXDAT± pair. When using the GPSI port, STDCLK is an input at the network data rate, provided by the external Manchester encode/decoder, to strobe out the NRZ data presented on the TXDAT+ output. This is also required for internal loopbacks while in GPSI mode.

STDCLK Configuration

SLEEP	PORTSEL [1-0]	ENDPLSIO	Interface Description	Pin Function
0	XX	X	Sleep Mode	High Impedance
1	00	1	AUI	STDCLK Output
1	01	1	10BASE-T	STDCLK Output
1	10	1	DAI Port	STDCLK Output
1	11	1	GPSI	STDCLK Output
1	XX	0	Status Disabled	High Impedance (Note 2)

Notes:

1. PORTSEL [1–0] and ENPLSIO are located in the PLS Configuration Control register (REG ADDR 14).
2. This pin should be externally terminated, if unused, to reduce power consumption.

CLSN

Collision (Input/Output)

An external indication that a collision condition has been detected by the (internal or external) Medium Attachment Unit (MAU), and that signals from two or more nodes are present on the network. When the AUI port is selected (PORTSEL [1–0] = 00), CLSN will be activated when the Cl_{\pm} input pair is receiving a collision indication from the external transceiver. CLSN will be asserted high for the entire duration of the collision detection, but will not be asserted during the SQE Test message following a transmit message on the AUI. When the 10BASE-T port is selected (PORTSEL [1–0] = 01), CLSN will be asserted high when simultaneous transmit and receive activity is detected (logically detected when TXD_{\pm}/TXP_{\pm} and RXD_{\pm} are both active). When the DAI port is selected (PORTSEL [1–0] = 10), CLSN will be asserted high when simultaneous transmit and receive activity is detected (logically detected when RXCRS and \overline{TXEN} are both active). When the GPSI port is selected (PORTSEL [1–0] = 11), an input from the external Manchester encoder/decoder signaling the MACE device that a collision condition has been detected on the network, and any receive frame in progress should be aborted.

External Address Detection Interface (EADI)

SF/BD

Start Frame/Byte Delimiter (Output)

The external indication that a start of frame delimiter has been received. The serial bit stream will follow on the Serial Receive Data pin (SRD), commencing with the destination address field. SF/BD will go high for 4 bit times (400 ns) after detecting the second 1 in the SFD of a received frame. SF/BD will subsequently toggle every 400 ns (1.25 MHz frequency) with the rising edge indicating the start (first bit) in each subsequent byte of the received serial bit stream. SF/BD will be inactive during frame transmission.

SRD

Serial Receive Data (Output)

SRD is the decoded NRZ data from the network. It is available for external address detection. Note that when the 10BASE-T port is selected, transition on SRD will only occur during receive activity. When the AUI or DAI port is selected, transition on SRD will occur during both transmit and receive activity.

CLSN Configuration

\overline{SLEEP}	PORTSEL [1-0]	ENDPLSIO	Interface Description	Pin Function
0	XX	X	Sleep Mode	High Impedance
1	00	1	AUI	CLSN Output
1	01	1	10BASE-T	CLSN Output
1	10	1	DAI Port	CLSN Output
1	11	1	GPSI	CLSN Output
1	XX	0	Status Disabled	High Impedance (Note 2)

Notes:

1. PORTSEL [1–0] and ENPLSIO are located in the PLS Configuration Control register (REG ADDR 14).
2. This pin should be externally terminated, if unused, to reduce power consumption.

EAM/R

External Address Match/Reject(Input)

The incoming frame will be received dependent on the receive operational mode of the MACE device, and the polarity of the EAM/R pin. The EAM/R pin function is programmed by use of the M/R bit in the Receive Frame Control register. If the bit is set, the pin is configured as EAM. If the bit is reset, the pin is configured as EAR. EAM/R can be asserted during packet reception to accept or reject packets based on an external address comparison.

SRDCLK

Serial Receive Data Clock (Input/Output)

The Serial Receive Data (SRD) output is synchronous to SRDCLK running at the 10MHz receive data clock frequency. The pin is configured as an input, only when the GPSI port is selected. Note that when the 10BASE-T port is selected, transition on SRDCLK will only occur during receive activity. When the AUI or DAI port is selected, transition on SRDCLK will occur during both transmit and receive activity.

SRD Configuration

$\overline{\text{SLEEP}}$	PORTSEL [1-0]	ENDPLSIO	Interface Description	Pin Function
0	XX	X	Sleep Mode	High Impedance
1	00	1	AUI	SRD Output
1	01	1	10BASE-T	SRD Output
1	10	1	DAI Port	SRD Output
1	11	1	GPSI	SRD Output
1	XX	0	Status Disabled	High Impedance

Note:

1. PORTSEL [1–0] and ENPLSIO are located in the PLS Configuration Control register (REG ADDR 14).

SRDCLK Configuration

$\overline{\text{SLEEP}}$	PORTSEL [1-0]	ENDPLSIO	Interface Description	Pin Function
0	XX	X	Sleep Mode	High Impedance
1	00	1	AUI	SRDCLK Output
1	01	1	10BASE-T	SRDCLK Output
1	10	1	DAI Port	SRDCLK Output
1	11	1	GPSI	SRDCLK Output
1	XX	0	Status Disabled	High Impedance (Note 2)

Notes:

1. PORTSEL [1–0] and ENPLSIO are located in the PLS Configuration Control register (REG ADDR 14).
2. This pin should be externally terminated, if unused, to reduce power consumption.

HOST SYSTEM INTERFACE

DBUS15-0

Data Bus (Input/Output/3-state)

DBUS contains read and write data to and from internal registers and the Transmit and Receive FIFOs.

ADD4-0

Address Bus (Input)

ADD is used to access the internal registers and FIFOs to be read or written.

R/W

Read/Write (Input)

Indicates the direction of data flow during the MACE device register, Transmit FIFO, or Receive FIFO accesses.

RDTREQ

Receive Data Transfer Request(Output)

Receive Data Transfer Request indicates that there is data in the Receive FIFO to be read. When RDTREQ is asserted there will be a minimum of 16 bytes to be read except at the completion of the frame, in which case EOF will be asserted. RDTREQ can be programmed to request receive data transfer when 16, 32 or 64 bytes are available in the Receive FIFO, by programming the Receive FIFO Watermark (RCVFW bits) in the FIFO Configuration Control register. The first assertion of RDTREQ will not occur until at least 64 bytes have been received, and the frame has been verified as non runt. Runt packets will normally be deleted from the Receive FIFO with no external activity on RDTREQ. When Runt Packet Accept is enabled (RPA bit) in the User Test Register, RDTREQ will be asserted when the runt packet completes, and the entire frame resides in the Receive FIFO. RDTREQ will be asserted only when Enable Receive (ENRCV) is set in the MAC Configuration Control register.

The RCVFW can be overridden by enabling the Low Latency Receive function (setting LLRCV bit) in the Receive Frame Control register, which allows RDTREQ to be asserted after only 12 bytes have been received. Note that use of this function exposes the system interface to premature termination of the receive frame, due to network events such as collisions or runt packets. It is the responsibility of the system designer to provide adequate recovery mechanisms for these conditions.

TDTREQ

Transmit Data Transfer Request (Output)

Transmit Data Transfer Request indicates there is room in the Transmit FIFO for more data. TDTREQ is asserted when there are a minimum of 16 empty bytes in the Transmit FIFO. TDTREQ can be programmed to

request transmit data transfer when 16, 32 or 64 bytes are available in the Transmit FIFO, by programming the Transmit FIFO Watermark (XMTFW bits) in the FIFO Configuration Control register. TDTREQ will be asserted only when Enable Transmit (ENXMT) is set in the MAC Configuration Control register.

FDS

FIFO Data Select (Input)

FIFO Data Select allows direct access to the transmit or Receive FIFO without use of the ADD address bus. FDS must be activated in conjunction with R/W. When the MACE device samples R/W as high and FDS low, a read cycle from the Receive FIFO will be initiated. When the MACE chip samples R/W and FDS low, a write cycle to the Transmit FIFO will be initiated. The CS line should be inactive (high) when FIFO access is requested using the FDS pin. If the MACE device samples both CS and FDS as active simultaneously, no cycle will be executed, and DTV will remain inactive.

DTV

Data Transfer Valid (Output/3-state)

When asserted, indicates that the read or write operation has completed successfully. The absence of DTV at the termination of a host access cycle on the MACE device indicates that the data transfer was unsuccessful. DTV need not be used if the system interface can guarantee that the latency to TDTREQ and RDTREQ assertion and de-assertion will not cause the Transmit FIFO to be over-written or the Receive FIFO to be over-read. In this case, the latching or strobing of read or write data can be synchronized to the SCLK input rather than to the DTV output.

EOF

End Of Frame (Input/Output/3-state)

End Of Frame will be asserted by the MACE device when the last byte/word of frame data is read from the Receive FIFO, indicating the completion of the frame data field for the receive message. End Of Frame must be asserted low to the MACE device when the last byte/word of the frame is written into the Transmit FIFO.

BE1-0

Byte Enable (Input)

Used to indicate the active portion of the data transfer to or from the internal FIFOs. For word (16-bit) transfers, both BE0 and BE1 should be activated by the external host/controller. Single byte transfers are performed by identifying the active data bus byte and activating only one of the two signals. The function of the BE1-0 pins is programmed using the BSWP bit (BIU Configuration Control register, bit 6). BE1-0 are not required for accesses to MACE device registers.

CS**Chip Select (Input)**

Used to access the MACE device FIFOs and internal registers locations using the ADD address bus. The FIFOs may alternatively be directly accessed without supplying the FIFO address, by using the FDS and R/W pins.

INTR**Interrupt (Output, Open Drain)**

An attention signal indicating that one or more of the following status flags are set: XMTINT, RCVINT, MPCO, RPCO, RCVCCO, CERR, BABL, or JAB. Each interrupt source can be individually masked. No interrupt condition can take place in the MACE device immediately after a hardware or software reset.

RESET**Reset (Input)**

Reset clears the internal logic. Reset can be asynchronous to SCLK, but must be asserted for a minimum duration of 15 SCLK cycles.

SCLK**System Clock (Input)**

The system clock input controls the operational frequency of the slave interface to the MACE device and the internal processing of frames. SCLK is unrelated to the 20 MHz clock frequency required for the 802.3/Ethernet interface. The SCLK frequency range is 1 MHz-25 MHz.

EDSEL**System Clock Edge Select (Input)**

EDSEL is a static input that allows System Clock (SCLK) edge selection. If EDSEL is tied high, the bus interface unit will assume falling edge timing. If EDSEL is tied low, the bus interface unit will assume rising edge timing, which will effectively invert the SCLK as it enters the MACE device, i.e., the address, control lines (CS, R/ \overline{W} , FDS, etc) and data are all latched on the rising edge of SCLK, and data out is driven off the rising edge of SCLK.

TC**Timing Control (Input)**

The Timing Control input conditions the minimum number of System Clocks (SCLK) cycles taken to read or write the internal registers and FIFOs. \overline{TC} can be used as a wait state generator, to allow additional time for data to be presented by the host during a write cycle, or allow additional time for the data to be latched during a read cycle. \overline{TC} has an internal (SLEEP disabled) pull up.

Timing Control

\overline{TC}	Number of Clocks
1	2
0	3

IEEE 1149.1 TEST ACCESS PORT (TAP) INTERFACE**TCK****Test Clock (Input)**

The clock input for the boundary scan test mode operation. TCK can operate up to 10 MHz. TCK has an internal (not SLEEP disabled) pull up.

TMS**Test Mode Select (Input)**

A serial input bit stream used to define the specific boundary scan test to be executed. TMS has an internal (not SLEEP disabled) pull up.

TDI**Test Data Input (Input)**

The test data input path to the MACE device. TDI has an internal (not SLEEP disabled) pull up.

TDO**Test Data Out (Output)**

The test data output path from the MACE device.

GENERAL INTERFACE**XTAL1****Crystal Connection (Input)**

The internal clock generator uses a 20 MHz crystal that is attached to pins XTAL1 and XTAL2. Internally, the 20 MHz crystal frequency is divided by two which determines the network data rate. Alternatively, an external 20 MHz CMOS-compatible clock signal can be used to drive this pin. The MACE device supports the use of 50 pF crystals to generate a 20 MHz frequency which is compatible with the IEEE 802.3 network frequency tolerance and jitter specifications.

XTAL2**Crystal Connection (Output)**

The internal clock generator uses a 20 MHz crystal that is attached to pins XTAL1 and XTAL2. If an external clock generator is used on XTAL1, then XTAL2 should be left unconnected.

SLEEP**Sleep Mode (Input)**

The optimal power savings made is extracted by asserting the SLEEP pin with both the Auto Wake (AWAKE bit) and Remote Wake (RWAKE bit) functions disabled. In this "deep sleep" mode, all outputs will be forced into their inactive or high impedance state, and all inputs will be ignored except for the SLEEP, RESET, SCLK, TCK, TMS, and TDI pins. SCLK must run for 5 cycles after the assertion of SLEEP. During the "Deep Sleep", the SCLK input can be optionally suspended for maximum power savings. Upon exiting "Deep Sleep", the hardware RESET pin must be asserted and the SCLK restored. The system must delay the setting

of the bits in the MAC configuration Control Register of the internal analog circuits by 1 ns to allow for stabilization.

If the AWAKE bit is set prior to the activation of SLEEP, the 10BASE-T receiver and the LNKST output pin remain operational.

If the RWAKE bit is set prior to SLEEP being asserted, the Manchester encoder/decoder, AUI and 10BASE-T cells remain operational, as do the SRD, SRDCLK and SF/BD outputs.

The input on XTAL1 must remain active for the AWAKE or RWAKE features to operate. After exit from the Auto Wake or Remote Wake modes, activation of hardware RESET is not required when SLEEP is reasserted.

On deassertion of SLEEP, the MACE device will go through an internally generated hardware reset sequence, requiring re-initialization of MACE registers.

Power Supply

DV_{DD}

Digital Power

There are four Digital V_{DD} pins.

DV_{SS}

Digital Ground

There are six Digital V_{SS} pins.

AV_{DD}

Analog Power

There are four analog V_{DD} pins. Special attention should be paid to the printed circuit board layout to avoid excessive noise on the supply to the PLL in the Manchester encoder/decoder (pins 66 and 83 in PLCC, pins 67 and 88 in PQFP). These supply lines should be kept separate from the DV_{DD} lines as far back to the power supply as is practically possible.

AV_{SS}

Analog Ground

There are two analog V_{SS} pins. Special attention should be paid to the printed circuit board layout to avoid excessive noise on the PLL supply in Manchester encoder/decoder (pin 73 in PLCC, pin 74 in PQFP). These supply lines should be kept separate from the DV_{SS} lines as far back to the power supply as is practically possible.

PIN FUNCTIONS NOT AVAILABLE WITH THE 80-PIN TQFP PACKAGE

In the 84-pin PLCC configuration, *ALL* the pins are used while in the 100-pin PQFP version, 16 pins are specified as No Connects. Moving to the 80-pin TQFP configuration requires the removal of 4 pins. Since Ethernet controllers with integrated 10BASE-T have analog portions which are very sensitive to noise,

power and ground pins are not deleted. The MACE device does have several sets of media interfaces which typically go unused in most designs, however. Pins from some of these interfaces are deleted instead. Removed are the following:

- TXDAT– (previously used for the DAI interface)
- SRD (previously used for the EADI interface)
- DTV (previously used for the host interface)
- RXPOL (previously used as a receive frame polarity LED driver)

Note that pins from four separate interfaces are removed rather than removing all the pins from a single interface. Each of these pins comes from one of the four sides of the device. This is done to maintain symmetry, thus avoiding bond out problems.

In general, the most critical of the four removed pins are TXDAT– and SRD. Depending on the application, either the DAI or the EADI interface may be important. In most designs, however, this will not be the case.

PINS REMOVED FOR TQFP PACKAGE AND THEIR EFFECTS

TXDAT–

The removal of TXDAT– means that the DAI interface is no longer usable. The DAI interface was designed to be used with media types that do not require DC isolation between the MAU and the DTE. Media which do not require DC isolation can be implemented more simply using the DAI interface, rather than the AUI interface. In most designs this is not a problem because most media requires DC isolation (10BASE-T, 10BASE2, 10BASE5) and will use the AUI port. About the only media which does not require DC isolation is 10BASE-F.

SRD

The SRD pin is an output pin used by the MACE device to transfer a receive data stream to external address detection logic. It is part of the EADI interface. This pin is used to help interface the MACE device to an external CAM device. Use of an external CAM is typically required when an application will operate in promiscuous mode and will need perfect filtering (i.e., the internal hash filter will not suffice). Example applications for this sort of operation are bridges and routers. Lack of perfect filtering in these applications forces the CPU to be more involved in filtering and thus either slows the forwarding rates achieved or forces the use of a more powerful CPU.

DTV

The DTV pin is part of the host interface to the MACE device. It is used to indicate that a read or write cycle to the MACE device was successful. If DTV is not asserted at the end of a cycle, the data transfer was not successful. Basically, this will happen on a write to a full transmit FIFO or a read from an empty receive

FIFO. In general, there are ways to ensure that a transfer is always valid; so this pin is not required in many designs. For instance, the TDTREQ and RDTREQ pins can be used to monitor the state of the FIFOs to ensure that data transfer only occurs at the correct times.

RXPOL

RXPOL is typically used to drive an LED indicating the polarity of receive frames. This function is not necessary for correct operation of the Ethernet and serves strictly as a status indication to a user. The status of the receive polarity is still available through the PHYCC register.

FUNCTIONAL DESCRIPTION

The Media Access Controller for Ethernet (MACE) chip embodies the Media Access Control (MAC) and Physical Signaling (PLS) sub-layers of the 802.3 Standard. The MACE device provides the IEEE defined Attachment Unit Interface (AUI) for coupling to remote Media Attachment Units (MAUs) or on-board transceivers. The MACE device also provides a Digital Attachment Interface (DAI), by-passing the differential AUI interface.

The system interface provides a fundamental data conduit to and from an 802.3 network. The MACE device in conjunction with a user defined DMA engine, provides an 802.3 interface tailored to a specific application.

In addition, the MACE device can be combined with similarly architected peripheral devices and a multi-channel DMA controller, thereby providing the system with access to multiple peripheral devices with a single master interface to memory.

Network Interfaces

The MACE device can be connected to an 802.3 network using any one of the AUI, 10 BASE-T, DAI and GPSI network interfaces. The Attachment Unit Interface (AUI) provides an IEEE compliant differential interface to a remote MAU or an on-board transceiver. An integrated 10BASE-T MAU provides a direct interface for twisted pair Ethernet networks. The DAI port can connect to local transceiver devices for 10BASE2, 10BASE-T or 10BASE-F connections. A General Purpose Serial Interface (GPSI) is supported, which effectively bypasses the integrated Manchester encoder/decoder, and allows direct access to/from the integral 802.3 Media Access Controller (MAC) to provide support for external encoding/decoding schemes. The interface in use is determined by the PORTSEL [1-0] bits in the PLS Configuration Control register.

The EADI port does not provide network connectivity, but allows an optional external circuit to assist in receive packet accept/reject.

System Interface

The MACE device is a slave register based peripheral. All transfers to and from the device, including data, are performed using simple memory or I/O read and write commands. Access to all registers, including the Transmit and Receive FIFOs, are performed with identical read or write timing. All information on the system interface is synchronous to the system clock (SCLK), which allows simple external logic to be designed to interrogate the device status and control the network data flow.

The Receive and Transmit FIFOs can be read or written by driving the appropriate address lines and assert-

ing \overline{CS} and R/\overline{W} . An alternative FIFO access mechanism allows the use of the FDS and the R/\overline{W} lines, ignoring the address lines (ADD4-0). The state of the R/\overline{W} line in conjunction with the FDS input determines whether the Receive FIFO is read (R/\overline{W} high) or the Transmit FIFO written (R/\overline{W} low). The MACE device system interface permits interleaved transmit and receive bus transfers, allowing the Transmit FIFO to be filled (*primed*) while a frame is being received from the network and/or read from the Receive FIFO.

In receive operation, the MACE device asserts Receive Data Transfer Request (RDTREQ) when the FIFO contains adequate data. For the first indication of a new receive frame, 64 bytes must be received, assuming normal operation. Once the initial 64 byte threshold has been reached, RDTREQ assertion and de-assertion is dependent on the programming of the Receive FIFO Watermark (RCVFW bits in the BIU Configuration Control register). The RDTREQ can be programmed to activate when there are 16, 32 or 64 bytes of data available in the Receive FIFO. Enable Receive (ENRCV bit in MAC Configuration Control register) must be set to assert RDTREQ. If the Runt Packet Accept feature is invoked (RPA bit in User Test Register), RDTREQ will be asserted for receive frames of less than 64 bytes on the basis of internal and/or external address match only. When RPA is set, RDTREQ will be asserted when the entire frame has been received or when the initial 64 byte threshold has been exceeded. See the FIFO Sub-Systems section for further details.

Note that the Receive FIFO may not contain 64 data bytes at the time RDTREQ is asserted, if the automatic pad stripping feature has been enabled (ASTRP RCV bit in the Receive Frame Control register) and a minimum length packet with pad is received. The MACE device will check for the minimum received length from the network, strip the pad characters, and pass only the data frame through the Receive FIFO.

If the Low Latency Receive feature is enabled (LLRCV bit set in Receive Frame Control Register), RDTREQ will be asserted once a low watermark threshold has been reached (12 bytes plus some additional synchronization time). Note that the system interface will therefore be exposed to potential disruption of the receive frame due to a network condition (see the FIFO Sub-System description for additional details).

In transmit operation, the MACE device asserts Transmit Data Transfer Request (TDTREQ) dependent on the programming of the Transmit FIFO Watermark (XMTFW bits in the BIU Configuration Control register). TDTREQ will be permanently asserted when the Transmit FIFO is empty. The TDTREQ can be programmed to activate when there are 16, 32 or 64 bytes of space available in the Transmit FIFO. Enable Transmit (ENXMT bit in MAC Configuration Control register) must be set to assert TDTREQ. Write cycles to the

Transmit FIFO will not return \overline{DTV} if ENXMT is disabled, and no data will be written. The MACE device will commence the preamble sequence once the Transmit Start Point (XMTSP bits in BIU Configuration Control register) threshold is reached in the Transmit FIFO.

The Transmit FIFO data will not be overwritten until at least 512 data bits have been transmitted onto the network. If a collision occurs within the slot time (512 bit time) window, the MACE device will generate a jam sequence (a 32-bit all zeroes pattern) before ceasing the transmission. The Transmit FIFO will be reset to point at the start of the transmit data field, and the message will be retried after the random back-off interval has expired.

DETAILED FUNCTIONS

Block Level Description

The following sections describe the major sub-blocks of and the external interfaces to the MACE device.

Bus Interface Unit (BIU)

The BIU performs the interface between the host or system bus and the Transmit and Receive FIFOs, as well as all chip control and status registers. The BIU can be configured to accept data presented in either little-endian or big indian format, minimizing the external logic required to access the MACE device internal FIFOs and registers. In addition, the BIU directly supports 8-bit transfers and incorporates features to simplify interfacing to 32-bit systems using external latches.

Externally, the FIFOs appear as two independent registers located at individual addresses. The remainder of the internal registers occupy 30 additional consecutive addresses, and appear as 8-bits wide.

BIU to FIFO Data Path

The BIU operates assuming that the 16-bit data path to/from the internal FIFOs is configured as two independent byte paths, activated by the Byte Enable signals $\overline{BE0}$ and $\overline{BE1}$.

$\overline{BE0}$ and $\overline{BE1}$ are only used during accesses to the 16-bit wide Transmit and Receive FIFOs. After hardware or software reset, the BSWP bit will be cleared. FIFO accesses to the MACE device will operate assuming an Intel 80x86 type memory convention (most significant byte of a word stored in the higher addressed byte). Word data transfers to/from the FIFOs over the DBUS15-0 lines will have the least significant byte located on DBUS7-0 (activated by $\overline{BE0}$) and the most significant byte located on DBUS15-8 (activated by $\overline{BE1}$).

FIFO data can be read or written using either byte and/or word operations.

If byte operation is required, read/write transfers can be performed on either the upper or lower data bus by asserting the appropriate byte enable. For instance with BSWP = 0, reading from or writing to DBUS15-8 is accomplished by asserting $\overline{BE1}$, and allows the data stream to be read from or written to the appropriate FIFO in byte order (byte 0, byte 1,....byte n). It is equally valid to read or write the data stream using DBUS7-0 and by asserting $\overline{BE0}$. For BSWP = 1, reading from or writing to DBUS15-8 is accomplished by asserting $\overline{BE0}$, and allows the byte stream to be transferred in byte order.

When word operations are required, BSWP ensures that the byte ordering of the target memory is compatible with the 802.3 requirement to send/receive the data stream in byte ascending order. With BSWP = 0, the data transferred to/from the FIFO assumes that byte n will be on DBUS7-0 (activated by $\overline{BE0}$) and byte n+1 will be on DBUS15-8 (activated by $\overline{BE1}$). With BSWP = 1, the data transferred to/from the FIFO assumes that byte n will be presented on DBUS15-8 (activated by $\overline{BE0}$), and byte n+1 will be on DBUS7-0 (activated by $\overline{BE1}$).

There are some additional special cases to the above generalized rules, which are as follows:

- When performing byte read operations, both halves of the data bus are driven with identical data, effectively allowing the user to arbitrarily read from either the upper or lower data bus, when only one of the byte enables is activated.
- When byte write operations are performed, the Transmit FIFO latency is affected. See the FIFO Sub-System section for additional details.
- If a word read is performed on the last data byte of a receive frame (\overline{EOF} is asserted), and the message contained an odd number of bytes but the host requested a word operation by asserting both $\overline{BE0}$ and $\overline{BE1}$, then the MACE device will present one valid and one non-valid byte on the data bus. The placement of valid data for the data byte is dependent on the target memory architecture. Regardless of BSWP, the single valid byte will be read from the $\overline{BE0}$ memory bank. If BSWP = 0, $\overline{BE0}$ corresponds to DBUS7-0; if BSWP = 1, $\overline{BE0}$ corresponds to DBUS15-8.
- If a byte read is performed when the last data byte is read for a receive frame (when the MACE device activates the \overline{EOF} signal), then the same byte will be presented on both the upper and lower byte of the data bus, regardless of which byte enable was activated (as is the case for all byte read operations).
- When writing the last byte in a transmit message to the Transmit FIFO, the portion of the data bus

that the last byte is transferred over is irrelevant, providing the appropriate byte enable is used. For $\overline{\text{BSWP}} = 0$, data can be presented on DBUS7-0 using $\overline{\text{BE0}}$ or DBUS15-8 using $\overline{\text{BE1}}$. For $\overline{\text{BSWP}} = 1$, data can be presented on DBUS7-0 using $\overline{\text{BE1}}$ or DBUS15-8 using $\overline{\text{BE0}}$.

(f) When neither $\overline{\text{BE0}}$ nor $\overline{\text{BE1}}$ are asserted, no data transfer will take place. DTV will not be asserted.

Byte Alignment For FIFO Read Operations

$\overline{\text{BE0}}$	$\overline{\text{BE1}}$	BSWP	DBUS7-0	DBUS15-8
0	0	0	n	n+1
0	1	0	n	n
1	0	0	n	n
1	1	0	X	X
0	0	1	n+1	n
0	1	1	n	n
1	0	1	n	n
1	1	1	X	X

Byte Alignment For FIFO Write Operations

$\overline{\text{BE0}}$	$\overline{\text{BE1}}$	BSWP	DBUS7-0	DBUS15-8
0	0	0	n	n+1
0	1	0	n	X
1	0	0	X	n
1	1	0	X	X
0	0	1	n+1	n
0	1	1	X	n
1	0	1	n	X
1	1	1	X	X

BIU to Control and Status Register Data Path

All registers in the address range 2-31 are 8-bits wide. When a read cycle is executed on any of these registers, the MACE device will drive data on both bytes of the data bus, regardless of the programming of BSWP. When a write cycle is executed, the MACE device strobes in data based on the programming of BSWP as shown in the tables below. All accesses to addresses 2-31 are independent of the $\overline{\text{BE0}}$ and $\overline{\text{BE1}}$ pins.

Byte Alignment For Register Read Operations

$\overline{\text{BE0}}$	$\overline{\text{BE1}}$	BSWP	DBUS7-0	DBUS15-8
X	X	0	Read Data	Read Data
X	X	1	Read Data	Read Data

Byte Alignment For Register Write Operations

$\overline{\text{BE0}}$	$\overline{\text{BE1}}$	BSWP	DBUS7-0	DBUS15-8
X	X	0	Write Data	X
X	X	1	X	Write Data

FIFO Subsystem

The MACE device has two independent FIFOs, with 128-bytes for receive and 136-bytes for transmit operations. The FIFO sub-system contains both the FIFOs, and the control logic to handle normal and exception related conditions.

The Transmit and Receive FIFOs interface on the network side with the serializer/de-serializer in the MAC engine. The BIU provides access between the FIFOs and the host system to enable the movement of data to and from the network.

Internally, the FIFOs appear to the BIU as independent 16-bit wide registers. Bytes or words can be written to the Transmit FIFO (XMTFIFO), or read from the Receive FIFO (RCVFIFO). Byte and word transfers can be mixed in any order. The BIU will ensure correct byte ordering dependent on the target host system, as determined by the programming of the BSWP bit in the BIU Configuration Control register.

The XMTFIFO and RCVFIFO have three different modes of operation. These are Normal (Default), Burst and Low Latency Receive. Default operation will be used after the hardware RESET pin or software SWRST bit have been activated. The remainder of this general description applies to all modes except where specific differences are noted.

Transmit FIFO—General Operation

When writing bytes to the XMTFIFO, certain restrictions apply. These restrictions have a direct influence on the latency provided by the FIFO to the host system. When a byte is written to the FIFO location, the entire word location is used. The unused byte is marked as a *hole* in the XMTFIFO. These *holes* are skipped during the serialization process performed by the MAC engine, when the bytes are unloaded from the XMTFIFO.

For instance, assume the Transmit FIFO Watermark (XMTFW) is set for 32 write cycles. If the host writes byte wide data to the XMTFIFO, after 36 write cycles there will be space left in the XMTFIFO for only 32 more write cycles. Therefore $\overline{\text{TDTREQ}}$ will de-assert even though only 36-bytes of data have been loaded into the XMTFIFO. Transmission will not commence until 64-bytes or the *End-of-Frame* are available in the XMFIFO, so transmission would not start, and

$\overline{\text{TDTREQ}}$ would remain de-asserted. Hence for byte wide data transfers, the XMTFW should be programmed to the 8 or 16 write cycle limit, or the host should ensure that sufficient data will be written to the XMTFIFO after $\overline{\text{TDTREQ}}$ has been de-asserted (which is permitted), to guarantee that the transmission will commence. A third alternative is to program the Transmit Start Point (XMTSP) in the BIU Configuration Control register to below the 64-byte default; thereby imposing a lower latency to the host system requiring additional data to ensure the XMTFIFO does not underflow during the transmit process, versus using the default XMTSP value. Note that if 64 single byte writes are executed on the XMTFIFO, and the XMTSP is set to 64-bytes, the transmission will commence, and all 64-bytes of information will be accepted by the XMTFIFO.

The number of write cycles that the host uses to write the packet into the Transmit FIFO will also directly influence the amount of space utilized by the transmit message. If the number of write cycles (n) required to transfer a packet to the Transmit FIFO is even, the number of bytes used in the Transmit FIFO will be $2*n$. If the number of write cycles required to transfer a packet to the Transmit FIFO is odd, the number of bytes used in the Transmit FIFO will be $2*n + 2$ because the *End Of Frame* indication in the XMTFIFO is always placed at the end of a 4-byte boundary. For example, a 32-byte message written as bytes ($n = 32$ cycles) will use 64-bytes of space in the Transmit FIFO ($2*n = 64$), whereas a 65-byte message written as 32 words and 1 byte ($n = 33$ cycles) would use 68-bytes ($2*n + 2 = 68$).

The Transmit FIFO has been sized appropriately to minimize the system interface overhead. However, consideration must be given to overall system design if byte writes are supported. In order to guarantee that sufficient space is present in the XMTFIFO to accept the number of write cycles programmed by the XMTFW (including an *End Of Frame* delimiter), $\overline{\text{TDTREQ}}$ may go inactive before the XMTSP threshold is reached when using the non burst mode ($\text{XMTBRST} = 0$). For instance, assume that the XMTFW is programmed to allow 32 write cycles (default), and XMTSP is programmed to require 64 bytes (default) before starting transmission. Assuming that the host bursts the transmit data in a 32 cycle block, writing a single byte anywhere within this block will mean that XMTSP will not have been reached. This would be a typical scenario if the transmit data buffer was not aligned to a word boundary. The MACE device will continue to assert $\overline{\text{TDTREQ}}$ since an additional 36 write cycles can still be executed. If the host starts a second burst, the XMTSP will be reached, and $\overline{\text{TDTREQ}}$ will deassert when less than 32 write cycle can be performed although the data written by the host will continue to be accepted.

The host must be aware that additional space exists in the XMTFIFO although $\overline{\text{TDTREQ}}$ becomes inactive, and must continue to write data to ensure the XMTSP threshold is achieved. No transmit activity will commence until the XMTSP threshold is reached. Once 36 write cycles have been executed.

Note that write cycles can be performed to the XMTFIFO even if the $\overline{\text{TDTREQ}}$ is inactive. When $\overline{\text{TDTREQ}}$ is asserted, it guarantees that a minimum amount of space exists, when $\overline{\text{TDTREQ}}$ is deasserted, it does not necessarily indicate that there is no space in the XMTFIFO. The $\overline{\text{DTV}}$ pin will indicate the successful acceptance of data by the Transmit FIFO.

As another example, assume again that the XMTFW is programmed for 32 write cycles. If the host writes word wide data continuously to the XMTFIFO, the $\overline{\text{TDTREQ}}$ will deassert when 36 writes have executed on the XMTFIFO, at which point 72-bytes will have been written to the XMTFIFO, the 64-byte XMTSP will have been exceeded and the transmission of preamble will have commenced. $\overline{\text{TDTREQ}}$ will not re-assert until the transmission of the packet data has commenced and the possibility of losing data due to a collision within the *slot time* is removed (512 bits have been transmitted without a collision indication). Assuming that the host actually stopped writing data after the initial 72-bytes, there will be only 16-bytes of data remaining in the XMTFIFO (8-bytes of preamble/SFD plus 56-bytes of data have been transmitted), corresponding to 12.8 μs of latency before an XMTFIFO underrun occurs. This latency is considerably less than the maximum possible 57.6 μs the system may have assumed. If the host had continued with the block transfer until 64 write cycles had been performed, 128-bytes would have been written to the XMTFIFO, and 72-bytes of latency would remain (57.6 μs) when $\overline{\text{TDTREQ}}$ was re-asserted.

Transmit FIFO—Burst Operation

The XMTFIFO burst mode, programmed by the XMTBRST bit in the FIFO Configuration Control register, modifies $\overline{\text{TDTREQ}}$ behavior. The assertion of $\overline{\text{TDTREQ}}$ is controlled by the programming of the XMTFW bits, such that when the specified number of write cycles can be guaranteed (8, 16 or 32), $\overline{\text{TDTREQ}}$ will be asserted. $\overline{\text{TDTREQ}}$ will be de-asserted when the XMT FIFO can only accept a single write cycle (one word write including an *End Of Frame* delimiter) allowing the external device to burst data into the XMTFIFO when $\overline{\text{TDTREQ}}$ is asserted, and stop when $\overline{\text{TDTREQ}}$ is deasserted.

Receive FIFO—General Operation

The Receive FIFO contains additional logic to ensure that sufficient data is present in the RCVFIFO to allow the specified number of bytes to be read, regardless of the ordering of byte/word read accesses. This has an

impact on the perceived latency that the Receive FIFO provides to the host system. The description and table below outline the point at which RDTRREQ will be asserted when the first duration of the packet has been received and when any subsequent transfer of the packet to the host system is required.

No preamble/SFD bytes are loaded into the Receive FIFO. All references to bytes pass through the receive FIFO. These references are received after the preamble/SFD sequence.

The first assertion of RDTRREQ for a packet will occur after the longer of the following two conditions is met:

- 64-bytes have been received (to assure runt packets and packets experiencing collision within the slot time will be rejected).

- The RCVFW threshold is reached plus an additional 12 bytes. The additional 12 bytes are necessary to ensure that any permutation of byte/word read access is guaranteed. They are required for all threshold values, but in the case of the 16 and 32-byte thresholds, the requirement that the slot time criteria is met dominates. Any subsequent assertion of RDTRREQ necessary to complete the transfer of the packet will occur after the RCVFW threshold is reached plus an additional 12 bytes. The table below also outlines the latency provided by the MACE device when the RDTRREQ is asserted.

Receive FIFO Watermarks, RDTRREQ Assertion and Latency

RCVFW [1-0]	Bytes Required for First Assertion of <u>RDTRREQ</u>	Bytes of Latency After First Assertion of <u>RDTRREQ</u>	Bytes Required for Subsequent Assertion of <u>RDTRREQ</u>	Bytes of Latency After Subsequent Assertion of <u>RDTRREQ</u>
00	64	64	28	100
01	64	64	44	84
10	76	52	76	52
11	XX	XX	XX	XX

Receive FIFO—Burst Operation

The RCVFIFO also provides a burst mode capability, programmed by the RCVBRST bit in the FIFO Configuration Control register, to modify the operation of RDTRREQ. The assertion of RDTRREQ will occur according to the programming of the RCVFW bits. RDTRREQ will be de-asserted when the RCVFIFO can only provide a single read cycle (one word read). This allows the external device to burst data from the RCVFIFO once RDTRREQ is asserted, and stop when RDTRREQ is deasserted.

Receive FIFO—Low Latency Receive Operation

The LOW Latency Receive mode can be programmed using the Low Latency Receive bit (LLRCV in the Receive Frame Control register). This effectively causes the assertion of RDTRREQ to be directly coupled to the low watermark of 12 bytes in the RCVFIFO. Once the 12-byte threshold is reached (plus some internal synchronization delay of less than 1 byte), RDTRREQ will be asserted, and will remain active until the RCVFIFO can support only one read cycle (one word of data), as in the burst operation described earlier. The exception is the case where 4-8 bytes of padding is required by the FIFO design, unless it is the end of the packet.

The intended use for the Low Latency Receive mode is to allow fast forwarding of a received packet in a bridge application. In this case, the receiving process is made aware of the receive packet after only 9.6 μs, instead of waiting up to 60.8 μs (76-bytes) necessary for the initial

assertion of RDTRREQ. An Ethernet-to-Ethernet bridge employing the MACE device (on all the Ethernet connections) with the XMTSP of all MACE controller XMT FIFOs set to the minimum (4-bytes), forwarding of a receive packet can be achieved within a sub 20 μs delay including processing overhead.

Note, however, that this mode places significant burden on the host processor. The receiving MACE device will no longer delete runt packets. A runt packet will have the Receive Frame Status appended to the receive data which the host must read as normal. The MACE device will not attempt to delete runt packets from the RCVFIFO in the Low Latency Receive mode. Collision fragments will also be passed to the host if they are detected after the 12-byte threshold has been reached. If a collision occurs, the Receive Frame Status (RCVFS) will be appended to the data successfully received in the RCVFIFO up to the point the collision was detected. No additional receive data will be written to the RCVFIFO. Note that the RCVFS will not become available until after the receive activity ceases. The collision indication (CLSN) in the Receive Status (RCVSTS) will be set, and the Receive Message Byte Count (RCVCNT) will be the correct count of the total duration of activity, including the period that collision was detected. The detection of normal (slot time) collisions versus late collisions can only be made by counting the number of bytes that were successfully received prior to the termination of the packet data.

In all cases where the reception ends prematurely (runt or collision), the data that was successfully received

prior to the termination of reception must be read from the RCVFIFO before the RCVFS bytes are available.

Media Access Control (MAC)

The Media Access Control engine is the heart of the MACE device, incorporating the essential protocol requirements for operation of a compliant Ethernet/802.3 node, and providing the interface between the FIFO sub-system and the Manchester Encoder/Decoder (MENDEC).

The MAC engine is fully compliant to Section 4 of ISO/IEC 8802-3 (ANSI/IEEE Standard 1990 Second edition) and ANSI/IEEE 802.3 (1985).

The MAC engine provides enhanced features, programmed through the Transmit Frame Control and Receive Frame Control registers, designed to minimize host supervision and pre or post message processing. These features include the ability to disable retries after a collision, dynamic FCS generation on a packet-by-packet basis, and automatic pad field insertion and deletion to enforce minimum frame size attributes.

The two primary attributes of the MAC engine are:

- Transmit and receive message data encapsulation
 - Framing (frame boundary delimitation, frame synchronization)
 - Addressing (source and destination address handling)
 - Error detection (physical medium transmission errors)
- Media access management
 - Medium allocation (collision avoidance)
 - Contention resolution (collision handling)

Transmit and Receive Message Data Encapsulation

Data passed to the MACE device Transmit FIFO will be assumed to be correctly formatted for transmission over the network as a valid packet. The user is required to pass the data stream for transmission to the MACE chip in the correct order, according to the byte ordering convention programmed for the BIU.

The MACE device provides minimum frame size enforcement for transmit and receive packets. When APAD XMT = 1 (default), transmit messages will be padded with sufficient bytes (containing 00h) to ensure that the receiving station will observe an information field (destination address, source address, length/type, data and FCS) of 64-bytes. When ASTRP RCV = 1 (default), the receiver will automatically strip pad and FCS bytes from the received message if the value in the length field is below the minimum data size (46-bytes). Both features can be independently over-ridden to allow illegally short (less than 64-bytes

of packet data) messages to be transmitted and/or received.

Framing (Frame Boundary Delimitation, Frame Synchronization)

The MACE device will autonomously handle the construction of the transmit frame. When the Transmit FIFO has been filled to the predetermined threshold (set by XMTSP), and providing access to the channel is currently permitted, the MACE device will commence the 7 byte preamble sequence (10101010b, where first bit transmitted is a 1). The MACE device will subsequently append the Start Frame Delimiter (SFD) byte (10101011) followed by the serialized data from the Transmit FIFO. Once the data has been completed, the MACE device will append the FCS (most significant bit first) computed on the entire data portion of the message.

Note that the user is responsible for the correct ordering and content in each of the fields in the frame, including the destination address, source address, length/type and packet data.

The receive section of the MACE device will detect an incoming preamble sequence and lock to the encoded clock. The internal MENDEC will decode the serial bit stream and present this to the MAC engine. The MAC will discard the first 8-bits of information before searching for the SFD sequence. Once the SFD is detected, all subsequent bits are treated as part of the frame. The MACE device will inspect the length field to ensure minimum frame size, strip unnecessary pad characters (if enabled), and pass the remaining bytes through the Receive FIFO to the host. If pad stripping is performed, the MACE device will also strip the received FCS bytes, although the normal FCS computation and checking will occur. Note that apart from pad stripping, the frame will be passed unmodified to the host. If the length field has a value of 46 or greater, the MACE device will not attempt to validate the length against the number of bytes contained in the message.

If the frame terminates or suffers a collision before 64-bytes of information (after SFD) have been received, the MACE device will automatically delete the frame from the Receive FIFO, without host intervention. Note however, that if the Low Latency Receive option has been enabled (LLRCV = 1 in the Receive Frame Control register), the MACE device will not delete receive frames which experience a collision once the 12-byte low watermark has been reached (see the FIFO Sub-System section for additional details).

Addressing (Source and Destination Address Handling)

The first 6-bytes of information after SFD will be interpreted as the destination address field. The MACE device provides facilities for physical, logical and

broadcast address reception. In addition, multiple physical addresses can be constructed (perfect address filtering) using external logic in conjunction with the EADI interface.

Error Detection (Physical Medium Transmission Errors)

The MACE device provides several facilities which report and recover from errors on the medium. In addition, the network is protected from gross errors due to inability of the host to keep pace with the MACE device activity.

On completion of transmission, the MACE device will report the Transmit Frame Status for the frame. The exact number of transmission retry attempts is reported (ONE, MORE used with XMTRC, or RTRY), and whether the MACE device had to Defer (DEFER) due to channel activity. In addition, Loss of Carrier is reported, indicating that there was an interruption in the ability of the MACE device to monitor its own transmission. Repeated LCAR errors indicate a potentially faulty transceiver or network connection. Excessive Defer (EXDEF) will be reported in the Transmit Retry Count register if the transmit frame had to wait for an abnormally long period before transmission.

Additional transmit error conditions are reported through the Interrupt Register.

The Late Collision (LCOL) error indicates that the transmission suffered a collision after the slot time. This is indicative of a badly configured network. Late collisions should not occur in normal operating network.

The Collision Error (CERR) indicates that the transceiver did not respond with an SQE Test message within the predetermined time after a transmission completed. This may be due to a failed transceiver, disconnected or faulty transceiver drop cable, or the fact the transceiver does not support this feature (or it is disabled).

In addition to the reporting of network errors, the MACE device will also attempt to prevent the creation of any network error caused by inability of the host to service the MACE device. During transmission, if the host fails to keep the Transmit FIFO filled sufficiently, causing an underflow, the MACE device will guarantee the message is either sent as a runt packet (which will be deleted by the receiving station) or has an invalid FCS (which will also allow the receiving station to reject the message).

The status of each receive message is passed via the Receive Frame Status bytes. FCS and Framing errors (FRAM) are reported, although the received frame is still passed to the host. The FRAM error will only be reported if an FCS error is detected and there are a non integral number of bytes in the message. The MACE

device will ignore up to seven additional bits at the end of a message (dribbling bits), which can occur under normal network operating conditions. The reception of eight additional bits will cause the MACE device to de-serialize the entire byte, and will result in the received message and FCS being modified.

Received messages which suffer a collision after 64-byte times (after SFD) will be marked to indicate they have suffered a late collision (CLSN). Additional counters are provided to report the Receive Collision Count and Runt Packet Count to be used for network statistics and utilization calculations.

Note that if the MACE device detects a received packet which has a 00b pattern in the preamble (after the first 8-bits which are ignored), the entire packet will be ignored. The MACE device will wait for the network to go inactive before attempting to receive additional frames.

Media Access Management

The basic requirement for all stations on the network is to provide fairness of channel allocation. The 802.3/Ethernet protocols define a media access mechanism which permits all stations to access the channel with equality. Any node can attempt to contend for the channel by waiting for a predetermined time (Inter Packet Gap interval) after the last activity, before transmitting on the media. The channel is a bus or multidrop communications medium (with various topological configurations permitted) which allows a single station to transmit and all other stations to receive. If two nodes simultaneously contend for the channel, their signals will interact causing loss of data, defined as a collision. It is the responsibility of the MAC to attempt to avoid and recover from a collision, to guarantee data integrity for the end-to-end transmission to the receiving station.

Medium Allocation (Collision Avoidance)

The IEEE 802.3 Standard (ISO/IEC 8802-3 1990) requires that the CSMA/CD MAC monitors the medium for traffic by watching for carrier activity. When carrier is detected, the media is considered busy, and the MAC should defer to the existing message.

The IEEE 802.3 Standard also allows optional two part deferral after a receive message.

See ANSI/IEEE Std 802.3-1990 Edition, 4.2.3.2.1:

Note: “ *It is possible for the PLS carrier sense indication to fail to be asserted during a collision on the media. If the deference process simply times the inter-Frame gap based on this indication it is possible for a short interFrame gap to be generated, leading to a potential reception failure of a subsequent frame. To enhance system robustness the following optional measures, as specified in 4.2.8, are recommended when interFrameSpacing Part1 is other than zero:*”

(1) Upon completing a transmission, start timing the interpacket gap, as soon as transmitting and carrier Sense are both false.

(2) When timing an interFrame gap following reception, reset the interFrame gap timing if carrierSense becomes true during the first 2/3 of the interFrame gap timing interval. During the final 1/3 of the interval the timer shall not be reset to ensure fair access to the medium. An initial period shorter than 2/3 of the interval is permissible including zero.“

The MAC engine implements the optional receive two part deferral algorithm, with a first part inter-frame-spacing time of 6.0 μ s. The second part of the inter-frame-spacing interval is therefore 3.6 μ s.

The MACE device will perform the two part deferral algorithm as specified in Section 4.2.8 (Process Deference). The Inter Packet Gap (IPG) timer will start timing the 9.6 μ s InterFrameSpacing after the receive carrier is de-asserted. During the first part deferral (InterFrameSpacingPart1-IFS1) the MACE device will defer any pending transmit frame and respond to the receive message. The IPG counter will be reset to zero continuously until the carrier deasserts, at which point the IPG counter will resume the 9.6 μ s count once again. Once the IFS1 period of 6.0 μ s has elapsed, the MACE device will begin timing the second part deferral (InterFrameSpacingPart2-IFS2) of 3.6 μ s. Once IFS1 has completed, and IFS2 has commenced, the MACE chip will not defer to a receive packet if a transmit packet is pending. This means that the MACE device will not attempt to receive an incoming packet, and it will start to transmit at 9.6 μ s regardless of network activity, forcing a collision if an existing transmission is in progress. The MACE device will guarantee to complete the preamble (64-bit) and jam (32-bit) sequence before ceasing transmission and invoking the random backoff algorithm.

In addition to the deferral after receive process, the MACE device also allows transmit two part deferral to be implemented as an option. The option can be disabled using the DXMT2PD bit in the MAC Configuration Control register. Two part deferral after transmission is useful for ensuring that severe IPG shrinkage cannot occur in specific circumstances, causing a transmit message to follow a receive message so closely, as to make them indistinguishable.

During the time period immediately after a transmission has been completed, the external transceiver (in the case of a standard AUI connected device), should generate the SQE Test message (a nominal 10 MHz burst of 5-15 BT duration) on the CI \pm pair (within 0.6-1.6 μ s after the transmission ceases). During the time period in which the SQE Test message is expected the MACE device will not respond to receive carrier sense.

See *ANSI/IEEE Std 802.3-1990 Edition*, 7.2.4.6 (1):

“At the conclusion of the output function, the DTE opens a time window during which it expects to see the signal_quality_error signal asserted on the Control In circuit. The time window begins when the CARRIER_STATUS becomes CARRIER_OFF. If execution of the output function does not cause CARRIER_ON to occur, no SQE test occurs in the DTE. The duration of the window shall be at least 4.0 μ s but no more than 8.0 μ s. During the time window the Carrier Sense Function is inhibited.”

The MACE device implements a carrier sense *blinding* period within 0 μ s-4.0 μ s from deassertion of carrier sense after transmission. This effectively means that when transmit two part deferral is enabled (DXMT2PD in the MAC Configuration Control register is cleared) the IFS1 time is from 4 μ s to 6 μ s after a transmission. However, since IPG shrinkage below 4 μ s will not be encountered on correctly configured networks, and since the fragment size will be larger than the 4 μ s blinding window, then the IPG counter will be reset by a worst case IPG shrinkage/fragment scenario and the MACE device will defer its transmission. The MACE chip will not restart the carrier sense *blinding* period if carrier is detected within the 4.0-6.0 μ s portion of IFS1, but will restart timing of the entire IFS1 period.

Contention Resolution (Collision Handling)

Collision detection is performed and reported to the MAC engine either by the integrated Manchester Encoder/Decoder (MENDEC), or by use of an external function (e.g. Serial Interface Adaptor, Am7992B) utilizing the GPSI.

If a collision is detected before the complete preamble/SFD sequence has been transmitted, the MACE device will complete the preamble/SFD before appending the jam sequence. If a collision is detected after the preamble/SFD has been completed, but prior to 512 bits being transmitted, the MACE device will abort the transmission, and append the jam sequence immediately. The jam sequence is a 32-bit all zeroes pattern.

The MACE device will attempt to transmit a frame a total of 16 times (initial attempt plus 15 retries) due to normal collisions (those within the slot time). Detection of collision will cause the transmission to be re-scheduled, dependent on the backoff time that the MACE device computes. Each collision which occurs during the transmission process will cause the value of XMTRC in the Transmit Retry Count register to be updated. If a single retry was required, the ONE bit will be set in the Transmit Frame Status. If more than one retry was required, the MORE bit will be set, and the exact number of attempts can be determined (XMTRC+1). If all 16 attempts experienced collisions, the RTRY bit will be set

(ONE and MORE will be clear), and the transmit message will be flushed from the XMTFIFO, either by resetting the XMTFIFO (if no *End-of-Frame* tag exists) or by moving the XMTFIFO read pointer to the next free location (If an *End-of-Frame* tag is present). If retries have been disabled by setting the DRTRY bit, the MACE device will abandon transmission of the frame on detection of the first collision. In this case, only the RTRY bit will be set and the transmit message will be flushed from the XMTFIFO. The RTRY condition will cause the de-assertion of TDTREQ, and the assertion of the INTR pin, providing the XMTINTM bit is cleared.

If a collision is detected after 512 bit times have been transmitted, the collision is termed a late collision. The MACE device will abort the transmission, append the jam sequence and set the LCOL bit in the Transmit Frame Status. No retry attempt will be scheduled on detection of a late collision, and the XMTFIFO will be flushed. The late collision condition will cause the de-assertion of TDTREQ, and the assertion of the INTR pin, providing the XMTINTM bit is cleared.

The IEEE 802.3 Standard requires use of a *truncated binary exponential backoff* algorithm which provides a controlled pseudo random mechanism to enforce the collision backoff interval, before re-transmission is attempted.

See ANSI/IEEE Std 802.3-1990 Edition, 4.2.3.2.5:

“At the end of enforcing a collision (jamming), the CSMA/CD sublayer delays before attempting to re-transmit the frame. The delay is an integer multiple of slotTime. The number of slot times to delay before the nth re-transmission attempt is chosen as a uniformly distributed random integer r in the range:

$$0 \leq r \leq 2^k, \text{ where } k = \min(n, 10).”$$

The MACE device implements a random number generator, configured to ensure that nodes experiencing a collision, will not have their retry intervals track identically, causing retry errors.

The MACE device provides an alternative algorithm, which suspends the counting of the slot time/IPG during the time that receive carrier sense is detected. This aids in networks where large numbers of nodes are present, and numerous nodes can be in collision. It effectively accelerates the increase in the backoff time in busy networks, and allows nodes not involved in the collision to access the channel whilst the colliding nodes await a reduction in channel activity. Once chan-

nel activity is reduced, the nodes resolving the collision time-out their slot time counters as normal.

If a receive message suffers a collision, it will be either a runt, in which case it will be deleted in the Receive FIFO, or it will be marked as a receive late collision, using the CLSN bit in the Receive Frame Status register. All frames which suffer a collision within the slot time will be deleted in the Receive FIFO without requesting host intervention, providing that the LLRCV bit (Receive Frame Control) is not set. Runt packets which suffer a collision will be aborted regardless of the state of the RPA bit (User Test Register). If the collision commences after the slot time, the MACE device receiver will stop sending collided packet data to the Receive FIFO and the packet data read by the system will contain the amount of data received to the point of collision; the CLSN bit in the Receive Frame Status register will indicate the receive late collision. Note that the Receive Message Byte Count will report the total number of bytes during the receive activity, including the collision.

In all normal receive collision cases, the MACE device eliminates the transfer of packet data across the host bus. In a receive late collision condition, the MACE chip minimizes the amount transferred. These functions preserve bus bandwidth utilization.

Manchester Encoder/Decoder (MENDEC)

The integrated Manchester Encoder/Decoder provides the PLS (Physical Signaling) functions required for a fully compliant IEEE 802.3 station. The MENDEC block contains the AUI, DAI interfaces, and supports the 10BASE-T interface; all of which transfer data to appropriate transceiver devices in Manchester encoded format. The MENDEC provides the encoding function for data to be transmitted on the network using the high accuracy on-board oscillator, driven by either the crystal oscillator or an external CMOS level compatible clock generator. The MENDEC also provides the decoding function from data received from the network. The MENDEC contains a Power On Reset (POR) circuit, which ensures that all analog portions of the MACE device are forced into their correct state during power up, and prevents erroneous data transmission and/or reception during this time.

External Crystal Characteristics

When using a crystal to drive the oscillator, the following crystal specification should be used to ensure less than ± 0.5 ns jitter at DO \pm

Parameter	Min	Nom	Max	Units
1. Parallel Resonant Frequency		20		MHz
2. Resonant Frequency Error (CL = 20 pF)	-50		+50	PPM
3. Change in Resonant Frequency With Respect To Temperature (CL = 20 pF)*	-40		+40	PPM
4. Crystal Capacitance			20	pF
5. Motional Crystal Capacitance (C1)		0.022		pF
6. Series Resistance			35	ohm
7. Shunt Capacitance			7	pF

* Requires trimming crystal spec; no trim is 50 ppm total

External Clock Drive Characteristics

When driving the oscillator from an external clock source, XTAL2 must be left floating (unconnected). An external clock having the following characteristics must be used to ensure less than ± 0.5 ns jitter at DO \pm .

Clock Frequency:	20 MHz $\pm 0.01\%$
Rise/Fall Time (tR/tF):	< 6 ns from 0.5 V to V _{DD} -0.5
XTAL1 HIGH/LOW Time (tHIGH/tLOW):	40 – 60% duty cycle
XTAL1 Falling Edge to Falling Edge Jitter:	< ± 0.2 ns at 2.5 V input (V _{DD} /2)

MENDEC Transmit Path

The transmit section encodes separate clock and NRZ data input signals into a standard Manchester encoded serial bit stream. The transmit outputs (DO \pm) are designed to operate into terminated transmission lines. When operating into a 78 ohm terminated transmission line, signaling meets the required output levels and skew for Cheapernet, Ethernet and IEEE-802.3.

Transmitter Timing and Operation

A 20 MHz fundamental mode crystal oscillator provides the basic timing reference for the SIA portion of the MACE device. It is divided by two, to create the internal transmit clock reference. Both clocks are fed into the SIA's Manchester Encoder to generate the transitions in the encoded data stream. The internal transmit clock is used by the SIA to internally synchronize the Internal Transmit Data (ITXD) from the controller and Internal Transmit Enable (ITENA). The internal transmit clock is

also used as a stable bit rate clock by the receive section of the SIA and controller.

The oscillator requires an external 0.005% crystal, or an external 0.01% CMOS-level input as a reference. The accuracy requirements if an external crystal is used are tighter because allowance for the on-chip oscillator must be made to deliver a final accuracy of 0.01%.

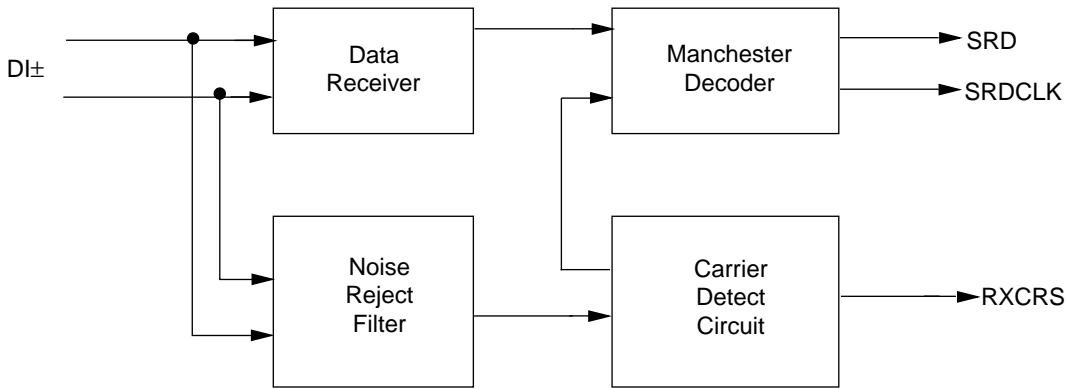
Transmission is enabled by the controller. As long as the ITENA request remains active, the serial output of the controller will be Manchester encoded and appear at DO \pm . When the internal request is dropped by the controller, the differential transmit outputs go to one of two idle states, dependent on TSEL in the Mode Register (CSR15, bit 9):

TSEL LOW:	The idle state of DO \pm yields "zero" differential to operate transformer-coupled loads.
TSEL HIGH:	In this idle state, DO+ is positive with respect to DO- (logical HIGH).

Receive Path

The principal functions of the Receiver are to signal the MACE device that there is information on the receive pair, and separate the incoming Manchester encoded data stream into clock and NRZ data.

The Receiver section (see Receiver Block Diagram) consists of two parallel paths. The receive data path is a zero threshold, wide bandwidth line receiver. The carrier path is an offset threshold bandpass detecting line receiver. Both receivers share common bias networks to allow operation over a wide input common mode range.



Receiver Block Diagram

16235D-5

Input Signal Conditioning

Transient noise pulses at the input data stream are rejected by the Noise Rejection Filter. Pulse width rejection is proportional to transmit data rate. DC inputs more negative than minus 100 mV are also suppressed.

The Carrier Detection circuitry detects the presence of an incoming data packet by discerning and rejecting noise from expected Manchester data, and controls the stop and start of the phase-lock loop during clock acquisition. Clock acquisition requires a valid Manchester bit pattern of 1010 to lock onto the incoming message.

When input amplitude and pulse width conditions are met at DI_{\pm} , the internal enable signal from the SIA to controller (RXCRS) is asserted and a clock acquisition cycle is initiated.

Clock Acquisition

When there is no activity at DI_{\pm} (receiver is idle), the receive oscillator is phase locked to TCK. The first negative clock transition (bit cell center of first valid Manchester "0") after RXCRS is asserted interrupts the receive oscillator. The oscillator is then restarted at the second Manchester "0" (bit time 4) and is phase locked to it. As a result, the SIA acquires the clock from the incoming Manchester bit pattern in 4 bit times with a "1010" Manchester bit pattern.

SRDCLK and SRD are enabled 1/4 bit time after clock acquisition in bit cell 5 if the ENPLSIO bit is set in the PLS configuration control register. SRD is at a HIGH state when the receiver is idle (no SRDCLK). SRD however, is undefined when clock is acquired and may remain HIGH or change to LOW state whenever SRDCLK is enabled. At 1/4 bit time through bit cell 5,

the controller portion of the MACE device sees the first SRDCLK transition. This also strobes in the incoming fifth bit to the SIA as Manchester "1". SRD may make a transition after the SRDCLK rising edge bit cell 5, but its state is still undefined. The Manchester "1" at bit 5 is clocked to SRD output at 1/4 bit time in bit cell 6.

PLL Tracking

After clock acquisition, the phase-locked clock is compared to the incoming transition at the bit cell center (BCC) and the resulting phase error is applied to a correction circuit. This circuit ensures that the phase-locked clock remains locked on the received signal. Individual bit cell phase corrections of the Voltage Controlled Oscillator (VCO) are limited to 10% of the phase difference between BCC and phase-locked clock.

Carrier Tracking and End of Message

The carrier detection circuit monitors the DI_{\pm} inputs after RXCRS is asserted for an end of message. RXCRS de-asserts 1 to 2 bit times after the last positive transition on the incoming message. This initiates the end of reception cycle. The time delay from the last rising edge of the message to RXCRS deassert allows the last bit to be strobed by SRDCLK and transferred to the controller section, but prevents any extra bit(s) at the end of message. When IRENA de-asserts (see Receive Timing-End of Reception (Last Bit = 0) and Receive Timing-End of Reception (Last Bit = 1) waveform diagrams) an RXCRS hold off timer inhibits RXCRS assertion for at least 2 bit times.

Data Decoding

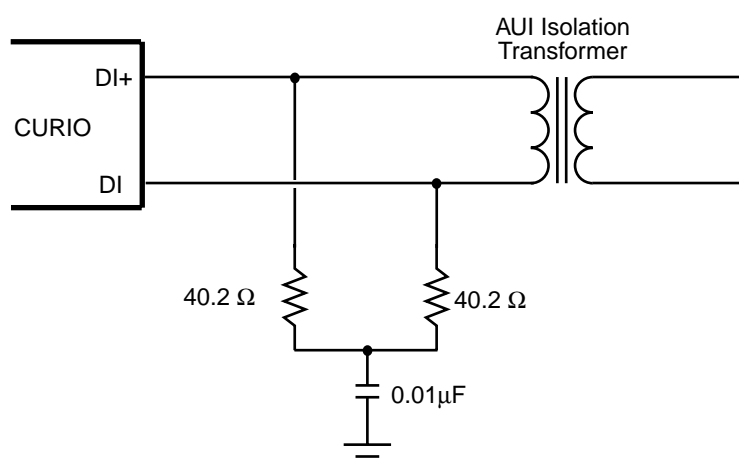
The data receiver is a comparator with clocked output to minimize noise sensitivity to the DI_{\pm} inputs. Input error is less than ± 35 mV to minimize sensitivity to

input rise and fall time. SRDCLK strobes the data receiver output at 1/4 bit time to determine the value of the Manchester bit and clocks the data out on SRD on the following SRDCLK. The data receiver also generates the signal used for phase detector comparison to the internal SIA voltage controlled oscillator (VCO).

Differential Input Terminations

The differential input for the Manchester data (DI_{\pm}) is externally terminated by two 40.2 ohm $\pm 1\%$ resistors

and one optional common-mode bypass capacitor, as shown in the Differential Input Termination diagram below. The differential input impedance, Z_{IDF} , and the common-mode input impedance, Z_{ICM} , are specified so that the Ethernet specification for cable termination impedance is met using standard 1% resistor terminators. If SIP devices are used, 39 ohms is also a suitable value. The CI_{\pm} differential inputs are terminated in exactly the same way as the DI_{\pm} pair.



16235D-6

Differential Input Termination

Collision Detection

A transceiver detects the collision condition on the network and generates a differential signal at the CI_{\pm} inputs. This collision signal passes through an input stage which detects signal levels and pulse duration. When the signal is detected by the MENDEC, it sets the CLSN line HIGH. The condition continues for approximately 1.5 bit times after the last LOW-to-HIGH transition on CI_{\pm} .

Jitter Tolerance Definition

The Receive Timing-Start of Reception Clock Acquisition waveform diagram shows the internal timing relationships implemented for decoding Manchester data in the SIA module. The SIA utilizes a clock capture circuit to align its internal data strobe with an incoming bit stream. The clock acquisition circuitry requires four valid bits with the values 1010. Clock is phase locked to the negative transition at the bit cell center of the second "0" in the pattern.

Since data is strobed at 1/4 bit time, Manchester transitions which shift from their nominal placement through 1/4 bit time will result in improperly decoded

data. With this as the criteria for an error, a definition of "Jitter Handling" is:

The peak deviation approaching or crossing 1/4 bit cell position from nominal input transition, for which the SIA section will properly decode data.

Attachment Unit Interface (AUI)

The AUI is the PLS (Physical Signaling) to PMA (Physical Medium Attachment) interface which effectively connects the DTE to the MAU. The differential interface provided by the MACE device is fully compliant to Section 7 of ISO 8802-3 (ANSI/IEEE 802.3).

After the MACE device initiates a transmission it will expect to see data *looped-back* on the DI_{\pm} pair (AUI port selected). This will internally generate a *carrier sense*, indicating that the integrity of the data path to and from the MAU is intact, and that the MAU is operating correctly. This *carrier sense* signal must be asserted during the transmission when using the AUI port (DO_{\pm} transmitting). If *carrier sense* does not become active in response to the data transmission, or becomes inactive before the end of transmission, the loss of carrier (LCAR) error bit will be set in the Trans-

mit Frame Status (bit 7) after the packet has been transmitted.

Digital Attachment Interface (DAI)

The Digital Attachment Interface is a simplified electrical attachment specification which allows MAUs which do not require the DC isolation between the MAU and DTE (e.g. devices compatible with the 10BASE-T Standard and 10BASE-FL Draft document) to be implemented. All data transferred across the DAI port is Manchester Encoded. Decoding and encoding is performed by the MENDEC.

The DAI port will accept receive data on the basis that the RXCRS input is active, and will take the data presented on the RXDAT input as valid Manchester data. Transmit data is sent to the external transceiver by the MACE device asserting $\overline{\text{TXEN}}$ and presenting complementary data on the TXDAT \pm pair. During idle, the MACE device will assert the TXDAT+ line high, and the TXDAT line low, while $\overline{\text{TXEN}}$ is maintained inactive (high). The MACE device implements logical collision detection and will use the simultaneous assertion of $\overline{\text{TXEN}}$ and RXCRS to internally detect a collision condition, take appropriate internal action (such as abort the current transmit or receive activity), and provide external indication using the CLSN pin. Any external transceiver utilized for the DAI interface must not loop back the transmit data (presented by the MACE device) on the TXDAT \pm pins to the RXDAT pin. Neither should the transceiver assert the RXCRS pin when transmitting data to the network. Duplication of these functions by the external transceiver (unless the MACE device is in the external loop back test configuration) will cause false collision indications to be detected.

In order to provide an integrity test of the connectivity between the MACE device and the external transceiver similar to the SQE Test Message provided as a part of the AUI functionality, the MACE device can be programmed to operate the DAI port in an external loop-back test. In this case, the external transceiver is assumed to loopback the TXDAT \pm data stream to the RXDAT pin, and assert RXCRS in response to the $\overline{\text{TXEN}}$ request. When in the external loopback mode of operation (programmed by LOOP [1-0] = 01), the MACE device will not internally detect a collision condition. The external transceiver is assumed to take action to ensure that this test will not disrupt the network. This type of test is intended to be operated for a very limited period (e.g. after power up), since the transceiver is assumed to be located physically close to the MACE device and with minimal risk of disconnection (e.g. connected via printed circuit board traces).

Note that when the DAI port is selected, LCAR errors will not occur, since the MACE device will internally loop back the transmit data path to the receiver. This loop back function must not be duplicated by a transceiver

which is externally connected via the DAI port, since this will result in a condition where a collision is generated during any transmit activity.

The transmit function of the DAI port is protected by a jabber mechanism which will be invoked if the TXDAT \pm and $\overline{\text{TXEN}}$ circuit is active for an excessive period (20 - 150 ms). This prevents a single node from disrupting the network due to a *stuck-on* or faulty transmitter. If this maximum transmit time is exceeded, the DAI port transmitter circuitry is disabled, the CLSN pin is asserted, the Jabber bit (JAB in the Interrupt Register) is set and the INTR pin will be asserted providing the JABM bit (Interrupt Mask Register) is cleared. Once the internal transmit data stream from the MENDEC stops ($\overline{\text{TXEN}}$ deasserts), an *unjab* time of 250 ms-750 ms will elapse before the MACE device deasserts the CLSN indication and re-enables the transmit circuitry.

When jabber is detected, the MACE device will assert the CLSN pin, de-assert the $\overline{\text{TXEN}}$ pin (regardless of internal MENDEC activity) and set the TXDAT+ and TXDAT pins to their inactive state.

10BASE-T Interface Twisted Pair Transmit Function

Data transmission over the 10BASE-T medium requires use of the integrated 10BASE-T MAU, and uses the differential driver circuitry in the TXD \pm and TXP \pm pins. The driver circuitry provides the necessary electrical driving capability and the pre-distortion control for transmitting signals over maximum length Twisted Pair cable, as specified by the 10BASE-T supplement to the IEEE 802.3 Standard. The transmit function for data output meets the propagation delays and jitter specified by the standard. During normal transmission, and providing that the 10BASE-T MAU is not in a Link Fail or jabber state, the $\overline{\text{TXEN}}$ pin will be driven HIGH and can be used indirectly to drive a status LED.

Twisted Pair Receive Function

The receiver complies with the receiver specifications of the IEEE 802.3 10BASE-T Standard, including noise immunity and received signal rejection criteria (*Smart Squelch*). Signals meeting this criteria appearing at the RXD \pm differential input pair are routed to the internal MENDEC. The receiver function meets the propagation delays and jitter requirements specified by the 10BASE-T Standard. The receiver squelch level drops to half its threshold value after unsquelch to allow reception of minimum amplitude signals and to mitigate carrier fade in the event of worst case signal attenuation and crosstalk noise conditions. During receive, the RXCRS pin is driven HIGH and can be used indirectly to drive a status LED.

Note that the 10BASE-T Standard defines the receive input amplitude at the external Media Dependent Interface

(MDI). Filter and transformer loss are not specified. The 10BASE-T MAU receiver squelch levels are defined to account for a 1dB insertion loss at 10 MHz, which is typical for the type of receive filters/transformers recommended (see the Appendix for additional details).

Normal 10BASE-T compatible receive thresholds are employed when the LRT bit is inactive (PHY Configuration Control register). When the LRT bit is set, the Low Receive Threshold option is invoked, and the sensitivity of the 10BASE-T MAU receiver is increased. This allows longer line lengths to be employed, exceeding the 100m target distance of normal 10BASE-T (assuming typical 24 AWG cable). The additional cable distance attributes directly to increased signal attenuation and reduced signal amplitude at the 10BASE-T MAU receiver. However, from a system perspective, making the receiver more sensitive means that it is also more susceptible to extraneous noise, primarily caused by coupling from co-resident services (crosstalk). For this reason, it is recommended that when using the Low Receive Threshold option that the service should be installed on 4-pair cable only. Multi-pair cables within the same outer sheath have lower crosstalk attenuation, and may allow noise emitted from adjacent pairs to couple into the receive pair, and be of sufficient amplitude to falsely unsquelch the 10BASE-T MAU receiver.

Link Test Function

The link test function is implemented as specified by 10BASE-T standard. During periods of transmit pair inactivity, Link Test pulses will be periodically sent over the twisted pair medium to constantly monitor medium integrity.

When the link test function is enabled, the absence of Link Test pulses and receive data on the RXD± pair will cause the 10BASE-T MAU to go into a Link Fail state. In the Link Fail state, data transmission, data reception, data loopback and the collision detection functions are disabled, and remain disabled until valid data or >5 consecutive link pulses appear on the RXD± pair. During Link Fail, the LNKST pin is inactive (externally pulled HIGH), and the Link Fail bit (LNKFL in the PHY Configuration Control register) will be set. When the link is identified as functional, the LNKST pin is driven LOW (capable of directly driving a Link OK LED using an integrated 12 mA driver) and the LNKFL bit will be cleared. In order to inter-operate with systems which do not implement link test, this function can be disabled by setting the Disable Link Test bit (DLNKTST in the PHY Configuration Control register). With link test disabled, the data driver, receiver and loopback functions as well as collision detection remain enabled irrespective of the presence or absence of data or link pulses on the RXD± pair.

The MACE devices integrated 10BASE-T transceiver will mimic the performance of an externally connected device (such as a 10BASE-T MAU connected using an AUI). When the 10BASE-T transceiver is in link fail, the receive data path of the transceiver must be disabled. The MACE device will report a Loss of Carrier error (LCAR bit in the Transmit Frame Status register) due to the absence of the normal loopback path, for every packet transmitted during the link fail condition. In addition, a Collision Error (CERR bit in the Transmit Frame Status register) will also be reported (see the section on Signal Quality Error Test Function for additional details).

If the AWAKE bit is set in the PHY Configuration Control register prior to the assertion of the hardware SLEEP pin, the 10BASE-T receiver remains operable, and is able to detect and indicate (using the LNKST output) the presence of legitimate Link Test pulses or receive activity. The transmission of Link Test pulses is suspended to reduce power consumption.

If the RWAKE bit is set in the PHY Configuration Control register prior to the assertion of the hardware SLEEP pin, the 10BASE-T receiver and transmitter functions remain active, the LNKST output is disabled, and the EADI output pins are enabled. In addition the AUI port (transmit and receive) remains active. Note that since the MAC core will be in a sleep mode, no transmit activity is possible, and the transmission of Link Test pulses is also suspended to reduce power consumption.

Polarity Detection and Reversal

The Twisted Pair receive function includes the ability to invert the polarity of the signals appearing at the RXD± pair if the polarity of the received signal is reversed (such as in the case of a wiring error). This feature allows data packets received from a reverse wired RXD± input pair to be corrected in the 10BASE-T MAU prior to transfer to the MENDEC. The polarity detection function is activated following reset or Link Fail, and will reverse the receive polarity based on both the polarity of any previous Link Test pulses and the polarity of subsequent packets with a valid End Transmit Delimiter (ETD).

When in the Link Fail state, the internal 10BASE-T receiver will recognize Link Test pulses of either positive or negative polarity. Exit from the Link Fail state is made due to the reception of five to six consecutive Link Test pulses of identical polarity. On entry to the Link Pass state, the polarity of the last five Link Test pulses is used to determine the initial receive polarity configuration and the receiver is reconfigured to subsequently recognize only Link Test pulses of the previously recognized polarity. This link pulse algorithm is employed only until ETD polarity determination is made as described later in this section.

Positive Link Test pulses are defined as received signal with a positive amplitude greater than 520 mV (LRT = LOW) with a pulse width of 60 ns-200 ns. This positive excursion may be followed by a negative excursion. This definition is consistent with the expected received signal at a correctly wired receiver, when a Link Test pulse which fits the template of Figure 14-12 in the 10BASE-T Standard is generated at a transmitter and passed through 100 m of twisted pair cable.

Negative Link Test pulses are defined as received signals with a negative amplitude greater than 520 mV (LRT = LOW) with a pulse width of 60 ns-200 ns. This negative excursion may be followed by a positive excursion. This definition is consistent with the expected received signal at a reverse wired receiver, when a Link Test pulse which fits the template of Figure 14-12 in the 10BASE-T Standard is generated at a transmitter and passed through 100 m of twisted pair cable.

The polarity detection/correction algorithm will remain *armed* until two consecutive packets with valid ETD of identical polarity are detected. When armed, the receiver is capable of changing the initial or previous polarity configuration based on the most recent ETD polarity.

On receipt of the first packet with valid ETD following reset or Link Fail, the MACE device will utilize the inferred polarity information to configure its RXD± input, regardless of its previous state. On receipt of a second packet with a valid ETD with correct polarity, the detection/correction algorithm will *lock-in* the received polarity. If the second (or subsequent) packet is not detected as confirming the previous polarity decision, the most recently detected ETD polarity will be used as the default. Note that packets with invalid ETD have no effect on updating the previous polarity decision. Once two consecutive packets with valid ETD have been received, the MACE device will disable the detection/correction algorithm until either a Link Fail condition occurs or a hardware or software reset occurs.

During polarity reversal, the $\overline{\text{RXPOL}}$ pin should be externally pulled HIGH and the Reversed Polarity bit (REVPOL in the PHY Configuration Control register) will be set. During normal polarity conditions, the $\overline{\text{RXPOL}}$ pin is driven LOW (capable of directly driving a Polarity OK LED using an integrated 12 mA driver) and the REVPOL bit will be cleared.

If desired, the polarity correction function can be disabled by setting the Disable Auto Polarity Correction bit (DAPC bit in the PHY Configuration Control register). However, the polarity detection portion of the algorithm continues to operate independently, and the $\overline{\text{RXPOL}}$ pin and the REVPOL bits will reflect the polarity state of the receiver.

Twisted Pair Interface Status

Three outputs (TXEN, RXCRS and CLSN) indicate whether the MACE device is transmitting (MENDEC to Twisted Pair), receiving (Twisted Pair to MENDEC), or in a collision state with both functions active simultaneously.

The MACE device will power up in the Link Fail state. The normal algorithm will apply to allow it to enter the Link Pass state. On power up, the TXEN, RXCRS and CLSN) pins will be in a high impedance state until they are enabled by setting the Enable PLS I/O bit (ENPLSIO in the PLS Configuration Control register) and the 10BASE-T port enters the Link Pass state.

In the Link Pass state, transmit or receive activity which passes the pulse width/amplitude requirements of the DO± or RXD± inputs, will be indicated by the TXEN or RXCRS pin respectively going active. TXEN, RXCRS and CLSN are all asserted during a collision.

In the Link Fail state, TXEN, RXCRS and CLSN are inactive.

In jabber detect mode, the MACE device will activate the CLSN pin, disable TXEN (regardless of Manchester data output from the MENDEC), and allow the RXCRS pin to indicate the current state of the RXD± pair. If there is no receive activity on RXD±, only CLSN will be active during jabber detect. If there is RXD± activity, both CLSN and RXCRS will be active.

If the $\overline{\text{SLEEP}}$ pin is asserted (regardless of the programming of the AWAKE or RWAKE bits in the PHY Configuration Control register), the TXEN, RXCRS and CLSN outputs will be placed in a high impedance state.

Collision Detect Function

Simultaneous activity (presence of valid data signals) from both the internal MENDEC transmit function (indicated externally by TXEN active) and the twisted pair RXD± pins constitutes a collision, thereby causing an external indication on the CLSN pin, and an internal indication which is returned to the MAC core. The TXEN, RXCRS and CLSN pins are driven high during collision.

Signal Quality Error (SQE) Test (Heartbeat) Function

The SQE Test message (a 10 MHz burst normally returned on the AUI CI± pair at the end of every transmission) is intended to be a self-test indication to the DTE that the MAU collision circuitry is functional and the AUI cable/connection is intact. This has minimal relevance when the 10BASE-T MAU is embedded in the LAN controller. A Collision Error (CERR bit in the Interrupt Register) will be reported only when the 10BASE-T port is in the link fail state, since the collision circuit of the MAU will be disabled, causing the absence of the SQE Test message. In GPSI mode the

external encoder/decoder is responsible for asserting the CLSN pin after each transmission. In DAI mode, SEQ Test has no relevance.

Jabber Function

The Jabber function inhibits the twisted pair transmit function of the MACE device if the TXD±/TXP± circuits are active for an excessive period (20-150 ms). This prevents any one node from disrupting the network due to a stuck-on or faulty transmitter. If this maximum transmit time is exceeded, the data path through the 10BASE-T transmitter circuitry is disabled (although Link Test pulses will continue to be sent), the CLSN pin is asserted, the Jabber bit (JAB in the Interrupt Register) is set and the $\overline{\text{INTR}}$ pin will be asserted providing the JABM bit (Interrupt Mask Register) is cleared. Once the internal transmit data stream from the MENDEC stops (TXEN deasserts), an *unjab* time of 250-750 ms will elapse before the MACE device deasserts the CLSN indication and re-enables the transmit circuitry.

When jabber is detected, the MACE device will assert the CLSN pin, de-assert the TXEN pin (regardless of internal MENDEC activity), and allow the RXCRS pin to indicate the current state of the RXD± pair. If there is no receive activity on RXD±, only CLSN will be active during jabber detect. If there is RXD± activity, both CLSN and RXCRS will be active.

External Address Detection Interface (EADI)

This interface is provided to allow external *perfect address filtering*. This feature is typically utilized for terminal server, bridge and/or router type products. The use of external logic is required, to capture the serial bit stream from the MACE device, and compare this with a table of stored addresses or identifiers. See the EADI port diagram in the Systems Applications section, Network Interfaces sub-section, for details.

The EADI interface operates directly from the NRZ decoded data and clock recovered by the Manchester decoder. This allows the external address detection to be performed in parallel with frame reception and address comparison in the MAC Station Address Detection (SAD) block.

SRDCLK is provided to allow clocking of the receive bit stream from the MACE device, into the external address detection logic. Once a received packet commences and data and clock are available from the decoder, the EADI interface logic will monitor the alternating (1,0) preamble pattern until the two ones of the Start Frame Delimiter (1,0,1,0,1,0,1,1) are detected, at which point the SF/BD output will be driven high.

After SF/BD is asserted the serial data from SRD should be de-serialized and sent to a Content

Addressable Memory (CAM) or other address detection device.

To allow simple serial to parallel conversion, SF/BD is provided as a strobe and/or marker to indicate the delineation of bytes, subsequent to the SFD. This feature provides a mechanism to allow not only capture and/or decoding of the physical or logical (group) address, but also facilitates the capture of header information to determine protocol and or inter-networking information. The $\overline{\text{EAM/R}}$ pin is driven by the external address comparison logic, to either reject or accept the packet. Two alternative modes are permitted, allowing the external logic to either accept the packet based on address match, or reject the packet if there is no match. The two alternate methods are programmed using the Match/Reject (M/ $\overline{\text{R}}$) bit in the Receive Frame Control register.

If the M/R bit is set, the pin is configured as $\overline{\text{EAM}}$ (External Address Match). The MACE device can be configured with Physical, Logical or Broadcast Address comparison operational. If an internal address match is detected, the packet will be accepted regardless of the condition of $\overline{\text{EAM}}$. Additional addresses can be located in the external address detection logic. If a match is detected, $\overline{\text{EAM}}$ must go active within 600 ns of the last bit in the destination address field (end of byte 6) being presented on the SRD output, to guarantee frame reception. In addition, $\overline{\text{EAM}}$ must go inactive after a match has been detected on a previous packet, before the next match can take place on any subsequent packet. $\overline{\text{EAM}}$ must be asserted for a minimum pulse width of 200 ns.

If the M/R bit is clear (default state after either the $\overline{\text{RESET}}$ pin or SWRST bit have been activated), the pin is configured as $\overline{\text{EAR}}$ (External Address Reject). The MACE device can be configured with Physical, Logical or Broadcast Address comparison operational. If an internal address match is detected, the packet will be accepted regardless of the condition of $\overline{\text{EAR}}$. Incoming packets which do not pass the internal address comparison will continue to be received by the MACE device. $\overline{\text{EAR}}$ must be externally presented to the MACE chip prior to the first assertion of $\overline{\text{RDTREQ}}$, to guarantee rejection of unwanted packets. This allows approximately 58 byte times after the last destination address bit is available to generate the $\overline{\text{EAR}}$ signal, assuming the MACE device is not configured to accept runt packets. $\overline{\text{EAR}}$ will be ignored by the MACE device from 64 byte times after the SFD, and the packet will be accepted if $\overline{\text{EAR}}$ has not been asserted before this time. If the MACE device is configured to accept runt packets, the EAR signal must be generated prior to the receive message completion, which could be as short as 12 byte times (assuming six bytes for source address, two bytes for length, no data, four bytes for FCS) after the last bit of the destination address is

available. $\overline{\text{EAR}}$ must have a pulse width of at least 200 ns.

Note that setting the PROM bit (MAC Configuration Control) will cause all receive packets to be received,

regardless of the programming of M/R or the state of the $\overline{\text{EAM/R}}$ input. The following table summarizes the operation of the EADI features.

Internal/External Address Recognition Capabilities

PROM	M/R	EAM/R	Required Timing	Received Messages
1	X	X	No timing requirements	All Received Frames
0	0	H	No timing requirements	All Received Frames
0	0	↓	Low for 200 ns within 512-bits after SFD	Physical/Logical/Broadcast Matches
0	1	H	No timing requirements	Physical/Logical/Broadcast Matches
0	1	↓	Low for 200 ns within 8-bits after DA field	All Received Frames

General Purpose Serial Interface (GPSI)

The GPSI port provides the signals necessary to present an interface consistent with the non encoded data functions observed to/from a LAN controller such as the Am7990 Local Area Network Controller for Ethernet (LANCE). The actual GPSI pins are functionally identical to some of the pins from the DAI and the EADI ports, the GPSI replicates this type of interface.

The GPSI allows use of an external Manchester encoder/decoder, such as the Am7992B Serial Interface Adapter (SIA). In addition, it allows the MACE device to be used as a MAC sublayer engine in a repeater based on the Am79C980 Integrated Multiport Repeater (IMR). Simple connection to the IMR Expansion Bus allows the MAC to view all packet data passing through a number of interconnected IMRs, allowing statistics and network management information to be collected.

The GPSI functional pins are duplicated as follows:

Pin Configuration for GPSI Function

Function	Type	LANCE Pin	MACE Pin
Receive Data	I	RX	RXDAT
Receive Clock	I	RCLK	SRDCLK
Receive Carrier Sense	I	RENA	RXCRES
Collision	I	CLSN	CLSN
Transmit Data	O	TX	TXDAT+
Transmit Clock	I	TCK	STDCLK
Transmit Enable	O	TENA	TXEN

IEEE 1149.1 Test Access Port Interface

An IEEE 1149.1 compatible boundary scan Test Access Port is provided for board level continuity test and diagnostics. All digital input, output and input/output and input/output pins are tested. Analog pins, including the AUI differential driver (DO±) and receive

ers DI±, CI±), and the crystal input (XTAL1/XTAL2) pins, are not tested.

The following is a brief summary of the IEEE 1149.1 compatible test functions implemented in the MACE device. For additional details, consult the IEEE Standard Test Access Port and Boundary-Scan Architecture document (IEEE Std 1149.1–1990).

The boundary scan test circuit requires four pins (TCK, TMS, TDI and TDO), defined as the Test Access Port (TAP). It includes a finite state machine (FSM), an instruction register, a data register array and a power on reset circuit. Internal pull-up resistors are provided for the TCK, TDI and TMS pins.

The TAP engine is a 16 state FSM, driven by the Test Clock (TCK) and the Test Mode Select (TMS) pins. An independent power on reset circuit is provided to ensure the FSM is in the TEST_LOGIC_RESET state at power up.

In addition to the minimum IEEE 1149.1 instruction requirements (EXTEST, SAMPLE and BYPASS), three additional instructions (IDCODE, TRI_ST and SET_I/O) are provided to further ease board level testing. All unused instruction codes are reserved.

IEEE 1149.1 Supported Instruction Summary

Inst ame	Description	Selected Data Reg	Reg Mode	Inst Code
EXTEST	External Test	BSR	Test	0000
IDCode	ID Code Inspection	ID Reg	Normal	0001
Sample	Sample Boundary	BSR	Normal	0010
TRI_ST	Force Tristate	Bypass	Normal	0011
SET_I/O	Control Boundary To I/O	Bypass	Test	0100
Bypass	Bypass Scan	Bypass	Normal	1111

After hardware or software reset, the IDCODE instruction is always invoked. The decoding logic provides signals to control the data flow in the DATA registers according to the current instruction.

Each Boundary Scan Register (BSR) cell also has two stages. A flip-flop and a latch are used in the SERIAL SHIFT STAGE and the PARALLEL OUTPUT STAGE respectively.

There are four possible operational modes in the BSR cell:

1. CAPTURE
2. SHIFT
3. UPDATE
4. SYSTEM FUNCTION

Other Data Registers

- BYPASS REG (1 bit)
- Device Identification Register (32 bits)
 - Bits 31-28:Version (4 bits)
 - Bits 27-12:Part number (16 bits) is 9400H
 - Bits 11-1:Manufacturer ID (11 bits).
 - The manufacturer ID code for AMD is 00000000001 in accordance with JEDEC Publication 106-A.
 - Bit 0:Always a logic 1

SLAVE ACCESS OPERATION

Internal register accesses are based on a 2 or 3 SCLK cycle duration, dependent on the state of the TC input pin. TC must be externally pulled low to force the MACE device to perform a 3-cycle access. TC is internally pulled high if left unconnected, to configure the 2-cycle access by default.

All register accesses are byte wide with the exception of the data path to and from the internal FIFOs.

Data exchanges to/from register locations will take place over the appropriate half of the data bus to suit the host memory organization (as programmed by the BSWP bit in the BIU Configuration Control register).

The $\overline{BE0}$, $\overline{BE1}$ and \overline{EOF} signals are provided to allow control of the data flow to and from the FIFOs. Byte read operations from the Receive FIFO cause data to be duplicated on both the upper and lower bytes of the data bus. Byte write operations to the Transmit FIFO must use the $\overline{BE0}$ and $\overline{BE1}$ inputs to define the active data byte to the MACE device.

Read Access

Details of the read access timing are located in the AC Waveforms section, Host System Interface, figures: Two-Cycle Receive FIFO/Register Read Timing and Three-Cycle Receive FIFO/Register Read Timing.

\overline{TC} can be dynamically changed on a cycle by cycle basis to program the slave cycle execution for two ($\overline{TC} = \text{HIGH}$) or three ($\overline{TC} = \text{LOW}$) SCLK cycles. \overline{TC} must be stable by the falling edge of SCLK ($\overline{EDSEL} = \text{High}$) in S0 at the start of a cycle, and should only be changed in S0 in a multiple cycle burst.

A read cycle is initiated when either \overline{CS} or \overline{FDS} is sampled low on the falling edge of SCLK at S0. \overline{FDS} and \overline{CS} must be asserted exclusively. If they are active simultaneously when sampled, the MACE device will not execute any read or write cycle.

If \overline{CS} is low, a Register Address read will take place. The state of the ADD4-0 will be used to commence decoding of the appropriate internal register/FIFO.

If \overline{FDS} is low, a FIFO Direct read will take place from the RCVFIFO. The state of the ADD4-0 bus is irrelevant for the FIFO Direct mode.

With either the \overline{CS} or \overline{FDS} input active, the state of the ADD0-4 (for Register Address reads), R/W (high to indicate a read cycle), $\overline{BE0}$ and $\overline{BE1}$ will also be latched on the falling ($\overline{EDSEL} = \text{HIGH}$) edge of SCLK at S0.

From the falling edge of SCLK in S1 ($\overline{EDSEL} = \text{HIGH}$), the MACE device will drive data on DBUS15-0 and activate the \overline{DTV} output (providing the read cycle completed successfully). If the cycle read the last byte/word of data for a specific frame from the RCVFIFO, the MACE device will also assert the \overline{EOF} signal. DBUS15-0, \overline{DTV} and \overline{EOF} will be guaranteed valid and can be sampled on the falling ($\overline{EDSEL} = \text{HIGH}$) edge of SCLK at S2.

If the Register Address mode is being used to access the RCVFIFO, once \overline{EOF} is asserted during the last byte/word read for the frame, the Receive Frame Status can be read in one of two ways. The Register Address mode can be continued, by placing the appropriate address (00110b) on the address bus and executing four read cycles (\overline{CS} active) on the Receive Frame Status location. In this case, additional Register Address read requests from the RCVFIFO will be ignored, and no \overline{DTV} returned, until all four bytes of the Receive Frame Status register have been read. Alternatively, a FIFO Direct read can be performed, which will effectively route the Receive Frame Status through the RCVFIFO location. This mechanism is explained in more detail below.

If the FIFO Direct mode is used, the Receive Frame Status can be read directly from the RCVFIFO by continuing to execute read cycles (by asserting \overline{FDS} low and R/W high) after \overline{EOF} is asserted indicating the last byte/word read for the frame. Each of the four bytes of Receive Frame Status will appear on both halves of the data bus, as if the actual Receive Frame Status register were being accessed. Alternatively, the status can be read as normal using the Register Address mode by

placing the appropriate address (00110b) on the address bus and executing four read cycles (CS active).

Either the FIFO Direct or Register Address modes can be interleaved at any time to read the Receive Frame Status, although this is considered unlikely due to the additional overhead it requires. In either case, no additional data will be read from the RCVFIFO until the Receive Frame Status has been read, as four bytes appended to the end of the packet when using the FIFO Direct mode, or as four bytes from the Receive Frame Status location when using the Register Address mode.

$\overline{\text{EOF}}$ will only be driven by the MACE device when reading received packet data from the RCVFIFO. At all other times, including reading the Receive Frame Status using the FIFO Direct mode, the MACE device will place EOF in a high impedance state.

$\overline{\text{RDTREQ}}$ should be sampled on the falling edge of SCLK. The assertion of RDTREQ is programmed by RCVFW, and the de-assertion is modified dependent on the state of the RCVBRST bit (both in the FIFO Configuration Control register). See the section Receive FIFO Read for additional details.

Write Access

Details of the write access timing are located in the AC Waveforms section, Host System Interface, figures: Two-Cycle Transmit FIFO/Register Write Timing and Three-Cycle Transmit FIFO/Register Write Timing.

Write cycles are executed in a similar manner as the read cycle previously described, but with the R/W input low, and the host responsible to provide the data with sufficient set up to the falling edge of SCLK after S2.

After a FIFO write, $\overline{\text{TDTREQ}}$ should be sampled on or after the falling (EDSEL = HIGH) edge of SCLK after S3 of the FIFO write. The state of TDTREQ at this time will reflect the state of the XMTFIFO.

After going active (low), $\overline{\text{TDTREQ}}$ will remain low for two or more XMTFIFO writes.

The minimum high (inactive) time of $\overline{\text{TDTREQ}}$ is one SCLK cycle. When $\overline{\text{EOF}}$ is written to the Transmit FIFO, $\overline{\text{TDTREQ}}$ will go inactive after one SCLK cycle, for a minimum of one SCLK cycle.

Initialization

After power-up, RESET should be asserted for a minimum of 15 SCLK cycles to set the MACE device into a defined state. This will set all MACE registers to their default values. The receive and transmit functions will be turned off. A typical sequence to initialize the MACE device could look like this:

- Write the BIU Configuration Control (BIUCC) register to change the Byte Swap mode to big endian or to change the Transmit Start Point.
- Write the FIFO Configuration Control (FIFOCC) register to change the FIFO watermarks or to enable the FIFO Burst Mode.
- Write the Interrupt Mask Register (IMR) to disable unwanted interrupt sources.
- Write the PLS Configuration Control (PLSCC) register to enable the active network port. If the GPSI interface is used, the register must be written twice. The first write access should only set PORTSEL [1–0] = 11. The second access must write again PORTSEL[1–0] = 11 and additionally set ENPLSIO = 1. This sequence is required to avoid contention on the clock, data and/or carrier indication signals.
- Write the PHY Configuration Control (PHYCC) register to configure any non-default mode if the 10BASE-T interface is used.
- Program the Logical Address Filter (LADRF) register or the Physical Address Register (PADR). The Internal Address Configuration (IAC) register must be accessed first. Set the Address Change (ADDRCHG) bit to request access to the internal address RAM. Poll the bit until it is cleared by the MACE device indicating that access to the internal address RAM is permitted. In the case of an address RAM access after hardware or software reset (ENRCV has not been set), the MACE device will return ADDRCHG = 0 right away. Set the LOGADDR bit in the IAC register to select writing to the Logical Address Filter register. Set the PHY-ADDR bit in the IAC register to select writing to the Physical Address Register. Either bit can be set together with writing the ADDRCHG bit. Initializing the Logical Address Filter register requires 8 write cycles. Initializing the Physical Address Register requires 6 write cycles.
- Write the User Test Register (UTR) to set the MACE device into any of the user diagnostic modes such as loopback.
- Write the MAC Configuration Control (MACCC) register as the last step in the initialization sequence to enable the receiver and transmitter. Note that the system must guarantee a delay of 1 ms after power-up before enabling the receiver and transmitter to allow the MACE phase lock loop to stabilize.
- The Transmit Frame Control (XMTFC) and the Receive Frame Control (RCVFC) registers can be programmed on a per packet basis.

Reinitialization

The SWRST bit in the BIU Configuration Control (BIUCC) register can be set to reset the MACE device into a defined state for reinitialization. The same sequence described in the initialization section can be used. The 1 ms delay for the MACE phase lock loop stabilization need not to be observed as it only applies to a power-up situation.

TRANSMIT OPERATION

The transmit operation and features of the MACE device are controlled by programmable options. These options are programmed through the BIU, FIFO and MAC Configuration Control registers.

Parameters controlled by the MAC Configuration Control register are generally programmed only once, during initialization, and are therefore static during the normal operation of the MACE device (see the Media Access Control section for a detailed description). The features controlled by the FIFO Configuration Control register and the Transmit Frame Control register can be re-programmed if the MACE device is not transmitting.

Transmit FIFO Write

The Transmit FIFO is accessed by performing a host generated write sequence on the MACE device. See the Slave Access Operation-Write Access section and the AC Waveforms section, Host System Interface, figures: Two-Cycle Transmit FIFO/Register Write Timing and Three-Cycle Transmit FIFO/Register Write Timing for details of the write access timing.

There are two fundamentally different access methods to write data into the FIFO. Using the Register Address mode, the FIFO can be addressed using the ADD0-4 lines, (address 00001b), initiating the cycle with the \overline{CS} and R/W (low) signals. The FIFO Direct mode allows write access to the Transmit FIFO without use of the address lines, and using only the \overline{FDS} and R/W lines. If the MACE device detects both signals active, it will not execute a write cycle. The write cycle timing for the Register Address or Direct FIFO modes are identical. \overline{FDS} and \overline{CS} should be mutually exclusive.

The data stream to the Transmit FIFO is written using multiple byte and/or word writes. \overline{CS} or \overline{FDS} does not have to be returned inactive to commence execution of the next write cycle. If $\overline{CS}/\overline{FDS}$ is detected low at the falling edge of S0, a write cycle will commence. Note that \overline{EOF} must be asserted by the host/controller during the last byte/word transfer.

Transmit Function Programming

The Transmit Frame Control register allows programming of dynamic transmit attributes. Automatic transmit features such as retry on collision, FCS generation/transmission and pad field insertion can all be

programmed, to provide flexibility in the (re-)transmission of messages.

The disable retry on collision (DRTRY bit) and automatic pad field insertion (APAD XMT bit) features should not be changed while data remains in the Transmit FIFO. Writing to either the DRTRY or APAD XMT bits in this case may have unpredictable results. These bits are not internally latched or protected. When writing to the Transmit Frame Control register the DRTRY and APAD XMT bits should be programmed consistently. Once the Transmit FIFO is empty, DRTRY and APAD XMT can be reprogrammed.

This can be achieved with no risk of transmit data loss or corruption by clearing ENXMT after the packet data for the current frame has been completely loaded. The transmission will complete normally and the activation of the INTR pin can be used to determine if the transmit frame has completed (XMTINT will be set in the Interrupt Register). Once the Transmit Frame Status has been read, APAD XMT and/or DRTRY can be changed and ENXMT set to restart the transmit process with the new parameters.

APAD XMT is sampled if there are less than 60 bytes in the transmit packet when the last bit of the last byte is transmitted. If APAD XMT is set, a pad field of pattern *00h* is added until the minimum frame size of 64 bytes (excluding preamble and SFD) is achieved. If APAD XMT is clear, no pad field insertion will take place and runt packet transmission is possible. When APAD XMT is enabled, the DXMTFCS feature is over-ridden and the four byte FCS will be added to the transmitted packet unconditionally.

The disable FCS generation/transmission feature can be programmed dynamically on a packet by packet basis. The current state of the DXMTFCS bit is internally latched on the last write to the Transmit FIFO, when the \overline{EOF} indication is asserted by the host/controller.

The programming of static transmit attributes are distributed between the BIU, FIFO and MAC Configuration Control registers.

The point at which transmission begins in relation to the number of bytes of a frame in the FIFO is controlled by the XMTSP bits in the BIU Configuration Control register. Depending on the bus latency of the system, XMTSP can be set to ensure that the Transmit FIFO does not underflow before more data is written to the FIFO. When the entire frame is in the FIFO, or the FIFO becomes full before the threshold is reached, transmission of preamble will commence regardless of the value in XMTSP. The default value of XMTSP is 64 bytes after reset.

The point at which \overline{TDTREQ} is asserted in relation to the number of empty bytes present in the Transmit

FIFO is controlled by the XMTFW bits in the FIFO Configuration Control register. TDTREQ will be asserted when one of the following conditions is true:

- The number of bytes free in the Transmit FIFO relative to the current *Saved Read Pointer* value is greater than or equal to the threshold set by the XMTFW (16, 32 or 64 bytes). The *Saved Read Pointer* is the first byte of the current transmit frame, either in progress or awaiting channel availability.
- The number of bytes free in the Transmit FIFO relative to the current *Read Pointer* value is greater than or equal to the threshold set by the XMTFW (16, 32 or 64 bytes). The *Read Pointer* becomes available only after a minimum of 64 byte frame length has been transmitted on the network (eight bytes of preamble plus 56 bytes of data), and points to the current byte of the frame being transmitted.

Depending on the bus latency of the system, XMTFW can be set to ensure that the Transmit FIFO does not underflow before more data is written into the FIFO. When the entire frame is in the FIFO, TDTREQ will remain asserted if sufficient bytes remain empty. The default value of XMTFW is 64 bytes after hardware or software reset. Note that if the XMTFW is set below the 64 byte limit, the transmit latency for the host to service the MACE device is effectively increased, since TDTREQ will occur earlier in the transmit sequence and more bytes will be present in the Transmit FIFO when the TDTREQ is de-asserted.

The transmit operation of the MACE device can be halted at any time by clearing the ENXMT bit (bit 1) in the MAC Configuration Control register. Note that any complete transmit frame that is in the Transmit FIFO and is currently in progress will complete, prior to the transmit function halting. Transmit frames in the FIFO which have not commenced will not be started. Transmit frames which have commenced but which have not been fully transferred into the Transmit FIFO will be aborted, in one of two ways. If less than 544 bits (68 bytes) have been transmitted onto the network, the

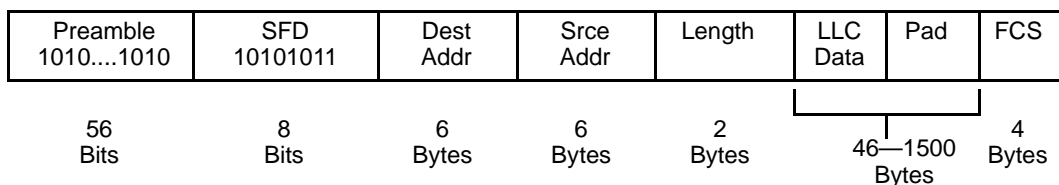
transmission will be terminated immediately, generating a runt packet which can be deleted at the receiving station. If greater than 544 bits have been transmitted, the messages will have the current CRC inverted and appended at the next byte boundary, to guarantee an error is detected at the receiving station. This feature ensures that packets will not be generated with potential undetected data corruption. An explanation of the 544 bit derivation appears in the “Automatic Pad Generation” section.

Automatic Pad Generation

Transmit frames can be automatically padded to extend them to 64 data bytes (excluding preamble) permitting the minimum frame size of 64 bytes (512 bits) for 802.3/Ethernet to be guaranteed, with no software intervention from the host system.

APAD XMT = 1 enables the automatic padding feature. The pad is placed between the LLC Data field and FCS field in the 802.3 frame. The FCS is always added if APAD XMT = 1, regardless of the state of DXMTFCS. The transmit frame will be padded by bytes with the value of 00h. The default value of APAD XMT will enable auto pad generation after hardware or software reset.

It is the responsibility of upper layer software to correctly define the actual length field contained in the message to correspond to the total number of LLC Data bytes encapsulated in the packet (length field as defined in the IEEE 802.3 standard). The length value contained in the message is not used by the MACE device to compute the actual number of pad bytes to be inserted. The MACE chip will append pad bytes dependent on the actual number of bits transmitted onto the network. Once the last data byte of the frame has completed, prior to appending the FCS, the MACE device will check to ensure that 544 bits have been transmitted. If not, pad bytes are added to extend the frame size to this value, and the FCS is then added.



IEEE 802.3 Format Data Frame

16235D-7

The 544 bit count is derived from the following:

Minimum frame size (excluding preamble, including FCS) 64 bytes 512 bits

Preamble/SFD size 8 bytes 64 bits

FCS size 4 bytes 32bits

To be classed as a minimum size frame at the receiver, the transmitted frame must contain:

$$\text{Preamble} + (\text{Min Frame Size} + \text{FCS}) \text{ bits}$$

At the point that FCS is to be appended, the transmitted frame should contain:

$$\begin{array}{rcl} \text{Preamble} & + & (\text{Min Frame Size} - \text{FCS}) \text{ bits} \\ 64 & + & (512 - 32) \text{ bits} \end{array}$$

A minimum length transmit frame from the MACE device will therefore be 576 bits, after the FCS is appended.

The Ethernet specification makes no use of the LLC pad field, and assumes that minimum length messages will be at least 64 bytes in length.

Preamble 1010....1010	SYNCH 11	Dest Addr	Src Addr	Type	Data	FCS
62 Bits	2 Bits	6 Bytes	6 Bytes	2 Bytes	46—1500 Bytes	4 Bytes

Ethernet Format Data Frame

16235D-8

Transmit FCS Generation

Automatic generation and transmission of FCS for a transmit frame depends on the value of DXMTFCS (Disable Transmit FCS) when the EOF is asserted indicating the last byte/word of data for the transmit frame is being written to the FIFO. The action of writing the last data byte/word of the transmit frame, latches the current contents of the Transmit Frame Control register, and therefore determines the programming of DXMTFCS for the transmit frame. When DXMTFCS = 0 the transmitter will generate and append the FCS to the transmitted frame. If the automatic padding feature is invoked (APAD XMT in Transmit Frame Control), the FCS will be appended regardless of the state of DXMTFCS. Note that the calculated FCS is transmitted most significant bit first. The default value of DXMTFCS is 0 after hardware or software reset.

Transmit Status Information

Although multiple transmit frames can be queued in the Transmit FIFO, the MACE device will not permit loss of Transmit Frame Status information. The Transmit Frame Status and Transmit Retry Count can only be buffered internally for a maximum of two frames. The MACE device will therefore not commence a third transmit frame, until the status from the first frame is read. Once the Transmit Retry Count and Transmit Frame Status for the first transmit packet is read, the MACE device will autonomously begin the next transmit frame, provided that a transmit frame is pending, the XMTSP threshold has been exceeded (or the

XMT FIFO is full), the network medium is free, and the IPG time has elapsed.

Indication of valid Transmit Frame Status can be obtained by servicing the hardware interrupt and testing the XMTINT bit in the Interrupt Register, or by polling the XMTSV bit in the Poll register if a continuous polling mechanism is required. If the Transmit Retry Count data is required (for loading, diagnostic, or management information), XMTRC must be read prior to XMTFS. Reading the XMTFS register when the XMTSV bit is set will clear both the XMTRC and XMTFS values.

Transmit Exception Conditions

Exception conditions for frame transmission fall into two distinct categories; those which are the result of normal network operation and those which occur due to abnormal network and/or host related events.

Normal events which may occur and which are handled autonomously by the MACE device are:

- (a) Collisions within the slot time with automatic retry
- (b) Deletion of packets due to excessive transmission attempts.

(a) The MACE device will ensure that collisions which occur within 512 bit times from the start of transmission (including preamble) will be automatically retried with no host intervention. The Transmit FIFO ensures this by guaranteeing that data contained within the Trans-

mit FIFO will not be overwritten until at least 64 bytes (512 bits) of data have been successfully transmitted onto the network. This criteria will be met, regardless of whether the transmit frame was the first (or only) frame in the Transmit FIFO, or if the transmit frame was queued pending completion of the preceding frame.

(b) If 16 total attempts (initial attempt plus 15 retries) have been made to transmit the frame, the MACE device will abandon the transmit process for the particular frame, de-assert the TDTRREQ pin, report a Retry Error (RTRY) in the Transmit Frame Status, and set the XMTINT bit in the Interrupt Register, causing activation of the external INTR pin providing the interrupt is unmasked.

Once the XMTINT condition has been externally recognized, the Transmit Frame Counter (XMTFC) can be read to determine whether the tail end of the frame that suffers the RTRY error is still in the host memory (i.e., when XMTFC = 0). This XMTFC read should be requested before the Transmit Frame Status read since reading the XMTFS would cause the XMTFC to decrement. If the tail end of the frame is indeed still in the host memory, the host is responsible for ensuring that the tail end of the frame does not get written into the FIFO and does not get transmitted as a whole frame. It is recommended that the host clear the tail end of the frame from the host memory before requesting the XMTFS read so that after the XMTFS read, when MACE device re-asserts TDTRREQ, the tail end of the frame does not get written into the FIFO. The Transmit Frame Status read will indicate that the RTRY error occurred. The read operation on the Transmit Frame Status will update the FIFO read and write pointers. If no End-of-Frame write (EOF pin assertion) had occurred during the FIFO write sequence, the entire transmit path will be reset (which will update the Transmit FIFO watermark with the current XMTFW value in the FIFO Configuration Control register). If a whole frame does reside in the FIFO, the read pointer will be moved to the start of the next frame or free location in the FIFO, and the write pointer will be unaffected. TDTRREQ will not be re-asserted until the Transmit Frame Status has been read.

After a RTRY error, all further packet transmission will be suspended until the Transmit Frame Status is read, regardless of whether additional packet data exists in the FIFO to be transmitted. Receive FIFO read operations are not impaired.

Packets experiencing 16 unsuccessful attempt to transmit will not be re-tried. Recovery from this condition must be performed by upper layer software.

Abnormal network conditions include:

- (a) Loss of carrier.
- (b) Late collision.
- (c) SQE Test Error.

These should not occur on a correctly configured 802.3 network, but will be reported if the network has been incorrectly configured or a fault condition exists.

(a) A loss of carrier condition will be reported if the MACE device cannot observe receive activity while it is transmitting. After the MACE device initiates a transmission it will expect to see data *looped-back* on the receive input path. This will internally generate a carrier sense, indicating that the integrity of the data path to and from the external MAU is intact, and that the MAU is operating correctly.

When the AUI port is selected, if carrier sense does not become active in response to the data transmission, or becomes inactive before the end of transmission, the loss of carrier (LCAR) error bit will be set in the Transmit Frame Status (bit 7) after the packet has been transmitted. The packet will not be re-tried on the basis of an LCAR error.

When the 10BASE-T port is selected, LCAR will be reported for every packet transmitted during the Link fail condition.

When the GPSI port is selected, LCAR will be reported if the RXCRS input pin fails to become active during a transmission, or once active, goes inactive before the end of transmission.

When the DAI port is selected, LCAR errors will not occur, since the MACE device will internally loop back the transmit data path to the receiver. The loop back feature must not be performed by the external transceiver when the DAI port is used.

During internal loopback, LCAR will not be set, since the MACE device has direct control of the transmit and receive path integrity. When in external loopback, LCAR will operate normally according to the specific port which has been selected.

(b) A late collision will be reported if a collision condition exists or commences 64 byte times (512 bit times) after the transmit process was initiated (first bit of preamble commenced). The MACE device will abandon the transmit process for the particular frame, complete transmission of the jam sequence (32-bit all zeroes pattern), de-assert the TDTRREQ pin, report the Late Collision (LCOL) and Transmit Status Valid (XMTSV) in the Transmit Frame Status, and set the XMTINT bit in the Interrupt Register, causing activation of the external INTR pin providing the interrupt is unmasked.

Once the XMTINT condition has been externally recognized, the Transmit Frame Counter (XMTFC) can be read to determine whether the tail end of the frame that suffers the LCOL error is still in the host memory (i.e., when XMTFC = 0). This XMTFC read should be requested before the Transmit Frame Status read since reading the XMTFS would cause the XMTFC to decrement. If the tail end of the frame is indeed still in

the host memory, the host is responsible for ensuring that the tail end of the frame does not get written into the FIFO and does not get transmitted as a whole frame. It is recommended that the host clear the tail end of the frame from the host memory before requesting the XMTFS read so that after the XMTFS read, when the MACE device re-asserts TDTREQ, the tail end of the frame does not get written into the FIFO. The Transmit Frame Status read will indicate that the LCOL error occurred. The read operation on the Transmit Frame Status will update the FIFO read and write pointers. If no *End-of-Frame* write (EOF pin assertion) had occurred during the FIFO write sequence, the entire transmit path will be reset (which will update the Transmit FIFO watermark with the current XMTFW value in the FIFO Configuration Control register). If a whole frame resides in the FIFO, the read pointer will be moved to the start of the next frame or free location in the FIFO, and the write pointer will be unaffected. TDTREQ will not be re-asserted until the Transmit Frame Status has been read.

After an LCOL error, all further packet transmission will be suspended until the Transmit Frame Status is read, regardless of whether additional packet data exists in the FIFO to be transmitted. Receive FIFO operations are unaffected.

Packets experiencing a late collision will not be re-tried. Recovery from this condition must be performed by upper layer software.

(c) During the inter packet gap time following the completion of a transmitted message, the AUI CI_{\pm} pair is asserted by some transceivers as a self-test. When the AUI port has been selected, the integral Manchester Encoder/Decoder will expect the SQE Test Message (nominal 10 MHz sequence) to be returned via the CI_{\pm} pair, within a 40 network bit time period after DI_{\pm} goes inactive. If the CI_{\pm} input is not asserted within the 40 network bit time period following the completion of transmission, then the MACE device will set the CERR bit (bit 5) in the Interrupt Register. The INTR pin will be activated if the corresponding mask bit CERRM = 0.

When the GPSI port is selected, the MACE device will expect the CLSN input pin to be asserted 40 bit times after the transmission has completed (after TXEN output pin has gone inactive). When the DAI port has been selected, the CERR bit will not be reported. A transceiver connected via the DAI port is not expected to support the SQE Test Message feature.

Host related transmit exception conditions include:

- (a) Overflow caused by excessive writes to the Transmit FIFO (DTV will not be issued if the Transmit FIFO is full).
- (b) Underflow caused by lack of host writes to the Transmit FIFO.
- (c) Not reading current Transmit Frame Status.

(a) The host may continue to write to the Transmit FIFO after the TDTREQ has been de-asserted, and can safely do so on the basis of knowledge of the number of free bytes remaining (set by XMTFW in the FIFO Configuration Control register). If however the host system continues to write data to the point that no additional FIFO space exists, the MACE device will not return the DTV signal and hence will effectively not acknowledge acceptance of the data. It is the host's responsibility to ensure that the data is re-presented at a future time when space exists in the Transmit FIFO, and to track the actual data written into the FIFO.

(b) If the host fails to respond to the TDTREQ from the MACE device before the Transmit FIFO is emptied, a FIFO underrun will occur. The MACE device will in this case terminate the network transmission in an orderly sequence. If less than 512 bits have been transmitted onto the network the transmission will be terminated immediately, generating a runt packet. If greater than 512 bits have been transmitted, the message will have the current CRC inverted and appended at the next byte boundary, to guarantee an FCS error is detected at the receiving station. The MACE device will report this condition to the host by de-asserting the TDTREQ pin, setting the UFLO and XMTSV bits (in the Transmit Frame Status) and the XMTINT bit (in the Interrupt Register), and asserting the INTR pin providing the corresponding XMTINTM bit (in the Interrupt Mask Register) is cleared.

Once the XMTINT condition has been externally recognized, the Transmit Frame Counter (XMTFC) can be read to determine whether the tail end of the frame that suffers the UFLO error is still in the host memory (i.e., when XMTFC = 0). In the case of FIFO underrun, this will definitely be the case and the host is responsible for ensuring that the tail end of the frame does not get written into the FIFO and does not get transmitted as a whole frame. It is recommended that the host clear the tail end of the frame from the host memory before requesting the XMTFS read so that after the XMTFS read, when the MACE device re-asserts TDTREQ, the tail end of the frame does not get written into the FIFO. The Transmit Frame Status read will indicate that the UFLO error occurred. The read operation on the Transmit Frame Status will update the FIFO read and write pointers and the entire transmit path will be reset (which will update the Transmit FIFO watermark with the current XMTFW value in the FIFO Configuration Control register). TDTREQ will not be re-asserted until the Transmit Frame Status has been read.

(c) The MACE device will internally store the Transmit Frame Status for up to two packets. If the host fails to read the Transmit Frame Status and both internal entries become occupied, the MACE device will not commence any subsequent transmit frames to prevent overwriting of the internally stored values. This will

occur regardless of the number of bytes written to the Transmit FIFO.

RECEIVE OPERATION

The receive operation and features of the MACE device are controlled by programmable options. These options are programmed through the BIU, FIFO and MAC Configuration Control registers.

Parameters controlled by the MAC Configuration Control register are generally programmed only once, during initialization, and are therefore static during the normal operation of the MACE device (see the Media Access Control section for a detailed description). The features controlled by the FIFO Configuration Control register and the Receive Frame Control register can be programmed without performing a reset on the part. The host is responsible for ensuring that no data is present in the Receive FIFO when re-programming the receive attributes.

Receive FIFO Read

The Receive FIFO is accessed by performing a host generated read sequence on the MACE device. See the Slave Access Operation-Read Access section and the AC Waveforms section, Host System Interface, figures: “2 Cycle Receive FIFO/Register Read Timing” and “3 Cycle Receive FIFO/Register Read Timing” for details of the read access timing.

Note that $\overline{\text{EOF}}$ will be asserted by the MACE device during the last data byte/word transfer.

Receive Function Programming

The Receive Frame Control register allows programming of the automatic pad field stripping feature and the configuration of the Match/Reject (M/R) pin. ASTRP RCV and M/R must be static when the receive function is enabled (ENRCV = 1). The receiver should be disabled before (re-) programming these options.

The EADI port can be used to permit reception of frames to commence whilst external address decoding takes place. The M/R bit defines the function of the EAM/R pin, and hence whether frames will be accepted or rejected by the external address comparison logic.

The programming of additional receive attributes are distributed between the FIFO and MAC Configuration Control registers, and the User Test Register.

All receive frames can be accepted by setting the PROM bit (bit 7) in the MAC Configuration Control register. When PROM is set, the MACE device will attempt to receive all messages, subject to minimum frame enforcement. Setting PROM will override the use of the EADI port to force the rejection of unwanted messages. See the sections *External Address Detection Interface* for more details.

The point at which $\overline{\text{RDTREQ}}$ is asserted in relation to the number of bytes of a frame that are present in the Receive FIFO (RCVFIFO) is controlled by the RCVFW bits in the FIFO Configuration Control register, or the LLRCV bit in the Receive Frame Control register. $\overline{\text{RDTREQ}}$ will be asserted when one of the following conditions is true:

- (i) There are at least 64 bytes in the RCVFIFO.
- (ii) The received packet has passed the 64 byte minimum criteria, and the number of bytes in the RCVFIFO is greater than or equal to the threshold set by the RCVFW (16 or 32 bytes).
- (iii) A receive packet has completed, and part or all of it is present in the RCVFIFO.
- (iv) The LLRCV bit has been set and greater than 12-bytes of at least 8 bytes have been received.

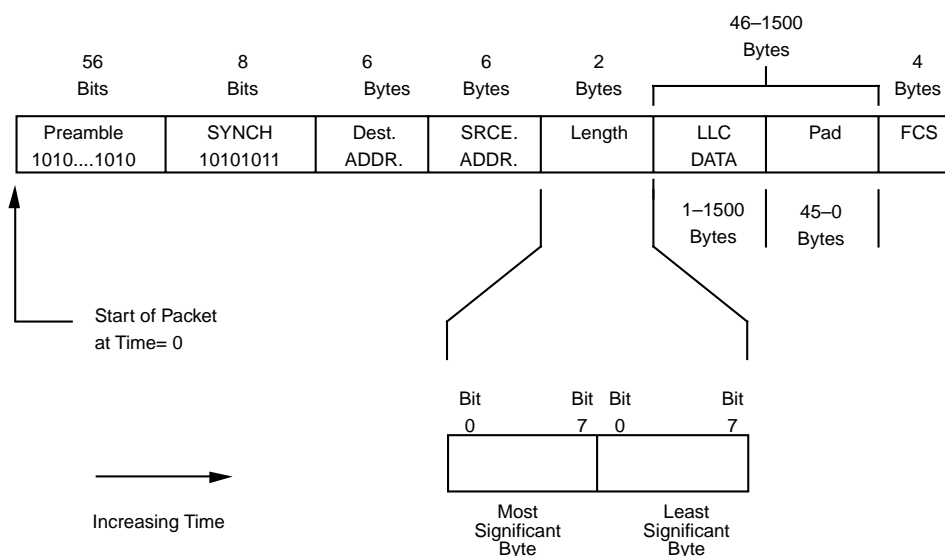
Note that if the RCVFW is set below the 64-byte limit, the MACE device will still require 64-bytes of data to be received before the initial assertion of $\overline{\text{RDTREQ}}$. Subsequently, $\overline{\text{RDTREQ}}$ will be asserted at any time the RCVFW threshold is exceeded. The only times that the $\overline{\text{RDTREQ}}$ will be asserted when there are not at least an initial 64-bytes of data in the RCVFIFO are:

- (i) When the ASTRP RCV bit has been set in the Receive Frame Control register, and the pad is automatically stripped from a minimum length packet.
- (ii) When the RPA bit has been set in the User Test Register, and a runt packet of at least 8 bytes has been received.
- (iii) When the LLRCV bit has been set in the Receive Frame Control register, and at least 12-bytes (after SFD) has been received.

No preamble/SFD bytes are loaded into the Receive FIFO. All references to bytes past through the receive FIFO are received after the preamble/SFD sequence.

Depending on the bus latency of the system, RCVFW can be set to ensure that the RCVFIFO does not overflow before more data is read. When the entire frame is in the RCVFIFO, $\overline{\text{RDTREQ}}$ will be asserted regardless of the value in RCVFW. The default value of RCVFW is 64-bytes after hardware or software reset.

The receive operation of the MACE device can be halted at any time by clearing the ENRCV bit in the MAC Configuration Control register. Note that any receive frame currently in progress will be accepted normally, and the MACE device will disable the receive process once the message has completed. The Missed Packet Count (MPC) will be incremented for



16235D-9

802.3 Packet and Length Field Transmission Order

subsequent packets that would have normally been passed to the host, and are now ignored due to the disabled state of the receiver.

Note that clearing the ENRCV bit disables the assertion of $\overline{\text{RDTREQ}}$. If ENRCV is cleared during receive activity and remains cleared for a long time and if the tail end of the receive frame currently in progress is

longer than the amount of space available in the Receive FIFO, Receive FIFO overflow will occur. However, even with $\overline{\text{RDTREQ}}$ deasserted, if there is valid data in the Receive FIFO to be read, successful slave reads to the Receive FIFO can be executed (indicated by valid $\overline{\text{DTV}}$). It is the host's responsibility to avoid the overflow situation.

Automatic Pad Stripping

During reception of a frame, the pad field can be stripped automatically. $\text{ASTRP RCV} = 1$ enables the automatic pad stripping feature. The pad field will be stripped before the frame is passed to the FIFO, thus preserving FIFO space for additional frames. The FCS field will also be stripped, since it is computed at the transmitting station based on the data and pad field characters, and will be invalid for a receive frame that has the pad characters stripped.

The number of bytes to be stripped is calculated from the embedded length field (as defined in the IEEE 802.3 definition) contained in the packet. The length indicates the actual number of LLC data bytes contained in the message. Any received frame which contains a length field less than 46 bytes will have the pad

field stripped. Receive frames which have a length field of 46 bytes or greater will be passed to the host unmodified.

Since any valid Ethernet Type field value will always be greater than a normal 802.3 Length field, the MACE device will not attempt to strip valid Ethernet frames.

Note that for some network protocols, the value passed in the Ethernet Type and/or 802.3 Length field is not compliant with either standard and may cause problems.

The diagram below shows the byte/bit ordering of the received length field for an 802.3 compatible frame format.

Receive FCS Checking

Reception and checking of the received FCS is performed automatically by the MACE device. Note that if the Automatic Pad Stripping feature is enabled, the received FCS will be verified against the value computed for the incoming bit stream including pad characters, but it will not be passed through the Receive FIFO to the host. If an FCS error is detected, this will be reported by the FCS bit (bit 4) in the Receive Frame Status.

Receive Status Information

The $\overline{\text{EOF}}$ indication signals that the last byte/word of data has been passed from the FIFO for the specific frame. This will be accompanied by a RCVINT indication in the the Interrupt Register signaling that the Receive Frame Status has been updated, and must be

read. The Receive Frame Status is a single location which must be read four times to allow the four bytes of status information associated with each frame to be read. Further data read operations from the Receive FIFO using the Register Address mode, will be ignored by the MACE device (indicated by the MACE chip not returning \overline{DTV}) until all four bytes of the Receive Frame Status have been read. Alternatively, the FIFO Direct access mode may be used to read the Receive Frame Status through the Receive FIFO. In either case, the 4-byte total must be read before additional receive data can be read from the Receive FIFO. However, the \overline{RDTREQ} indication will continue to reflect the state of the Receive FIFO as normal, regardless of whether the Receive Frame Status has been read. \overline{DTV} will not be returned when a read operation is performed on the Receive Frame Status location and no valid status is present or ready.

Note that the Receive Frame Status can be read using either the Register Address or FIFO Direct modes. For additional details, see the section *Receive FIFO Read*.

Receive Exception Conditions

Exception conditions for frame reception fall into two distinct categories; those which are the result of normal network operation, and those which occur due to abnormal network and/or host related events.

Normal events which may occur and which are handled autonomously by the MACE device are basically collisions within the slot time and automatic runt packet deletion. The MACE device will ensure that any receive packet which experiences a collision within 512 bit times from the start of reception (excluding preamble) will be automatically deleted from the Receive FIFO with no host intervention (the state of the RPA bit in the User Test Register; or the RCVFW bits in the FIFO Configuration Control register have no effect on this). This criteria will be met, regardless of whether the receive frame was the first (or only) frame in the Receive FIFO, or if the receive frame was queued behind a previously received message.

Abnormal network conditions include:

- FCS errors
- Framing errors
- Dribbling bits
- Late collision

These should not occur on a correctly configured 802.3 network, but may be reported if the network has been incorrectly configured or a fault condition exists.

Host related receive exception conditions include:

- (a) Underflow caused by excessive reads from the Receive FIFO (\overline{DTV} will not be issued if the Receive FIFO is empty)

- (b) Overflow caused by lack of host reads from the Receive FIFO
- (c) Missed packets due to lack of host reads from the Receive FIFO and/or the Receive Frame Status

(a) Successive read operations from the Receive FIFO after the final byte of data/status has been read, will cause the \overline{DTV} pin to remain de-asserted during the read operation, indicating that no valid data is present. There will be no adverse effect on the Receive FIFO.

(b) Data present in the Receive FIFO from packets which completed before the overflow condition occurred, can be read out by accessing the Receive FIFO normally. Once this data (and the associated Receive Frame Status) has been read, the \overline{EOF} indication will be asserted by the MACE device during the first read operation takes place from the Receive FIFO, for the packet which suffered the overflow. If there were no other packets in the FIFO when the overflow occurred, the \overline{EOF} will be asserted on the first read from the FIFO. In either case, the \overline{EOF} indication will be accompanied by assertion of the \overline{INTR} pin, providing that the RCVINTM bit in the Interrupt Mask Register is not set. If the Register Address mode is being used, the host is required to access the Receive Frame Status location using four separate read cycles. Further access to the Receive FIFO will be ignored by the MACE device until all four bytes of the Receive Frame Status have been read. \overline{DTV} will not be returned if a Receive FIFO read is attempted. If the FIFO Direct mode is being used, the host can read the Receive Frame Status through the Receive FIFO, but the host must be aware that the subsequent four cycles will yield the receive status bytes, and not data from the same or a new packet. Only the OFLO bit will be valid in the Receive Frame Status, other error/status and the RCVCNT fields are invalid.

While the Receive FIFO is in the overflow condition, it is *deaf* to additional receive data on the network. However, the MACE device internal address detect logic continues to operate and counts the number of packets that would have been passed to the host under normal (non overflow) conditions. The Missed Packet Count (MPC) is an 8-bit count (in register 24) that maintains the number of packets which pass the address match criteria, and complete without collision. The MPC counter will wrap around when the maximum count of 255 is reached, setting the MPCO (Missed Packet Count Overflow) bit in the Interrupt Register, and asserting the \overline{INTR} pin providing that MPCOM (Missed Packet Count Overflow Mask) in the Interrupt Mask Register is clear. MPCO will be cleared (the interrupt will be unmasked) after hardware or software reset. However, until the first time that the receiver is enabled, MPC will not increment, hence no interrupt will occur due to missed packets after a reset.

(c) Failure to read packet data from the Receive FIFO will eventually cause an overflow condition. The FIFO will maintain any previously completed packet(s), which can be read by the host at its convenience. However, packet data on the network will no longer be received, regardless of destination address, until the overflow is cleared by reading the remaining Receive FIFO data and Receive Status. The MACE device will increment the Missed Packet Count (MPC) register to indicate that a packet which would have been normally passed to the host, was dropped due to the error condition.

Note: *The moment a packet overflow is detected or read, an EOF with INT is generated. On status read (OFLOW), the FIFO pointers are reset to the first location. This essentially flushes the FIFO.*

LOOPBACK OPERATION

During loopback, the FCS logic can be allocated to the receiver by setting RCVFCSE = 1 in User Test Register. This permits both the transmit and receive FCS operations to be verified during the loopback process. The state of RCVFCSE is only valid during loopback operation.

If RCVFCSE = 0, the MACE device will calculate and append the FCS to the transmitted message. The receive message passed to the host will therefore contain an additional four bytes of FCS. The Receive Frame Status will indicate the result of the loopback operation and the RCVCNT.

If RCVFCSE = 1, the last four bytes of the transmit message must contain the FCS computed for the transmit data preceding it. The MACE device will transmit the data without addition of an FCS field, and the FCS will be calculated and verified at the receiver.

The loopback facilities of the MACE device allow full operation to be verified without disturbance to the network. Loopback operation is also affected by the state of the Loopback Control bits (LOOP [0–1]) in the User Test Register. This affects whether the internal MENDEC is considered part of the internal or external loop-back path.

When in the loopback mode(s), the multicast address detection feature of the MACE device, programmed by the contents of the Logical Address Filter (LADR [63–0]) can only be tested when RCVFCSE = 1, allocating the CRC generator to the receiver. All other features operate identically in loopback as in normal operation, such as automatic transmit padding and receivepad stripping.

USER ACCESSIBLE REGISTERS

The following registers are provided for operation of the MACE device. All registers are 8-bits wide unless otherwise stated. Note that all reserved register bits should be written as zero.

Receive FIFO (RCVFIFO) (REG ADDR 0)

RCVFIFO [15–0]

This register provides a 16-bit data path from the Receive FIFO. Reading this register will read one word/byte from the Receive FIFO. The RCVFIFO should only be read when Receive Data Transfer Request (RDTREQ) is asserted. If the RCVFIFO location is read before 64-bytes are available in the RCVFIFO (or 12-bytes in the case that LLRCV is set in the Receive Frame Control register), DTV will not be returned. Once the 64-byte threshold has been achieved and RDTREQ is asserted, the de-assertion of RDTREQ does not prevent additional data from being read from the RCVFIFO, but indicates the number of additional bytes which are present, before the RCVFIFO is emptied, and subsequent reads will not return DTV (see the FIFO Sub-System section for additional details). Write operations to this register will be ignored and DTV will not be returned.

Byte transfers from the RCVFIFO are supported, and will be fully aligned to the target memory architecture, defined by the BSWP bit in the BIU Configuration Control register. The Byte Enable inputs (BE1-0) will define which half of the data bus should be used for the transfer. The external host/controller will be informed that the last byte/word of data in a receive frame is being read from the RCVFIFO, when the MACE device asserts the EOF signal.

Transmit FIFO (XMTFIFO) (REG ADDR 1)

XMTFIFO [15–0]

This register provides a 16-bit data path to the Transmit FIFO. Byte/word data written to this register will be placed in the Transmit FIFO. The XMTFIFO can be written at any time the Transmit Data Transfer Request (TDTREQ) is asserted. The de-assertion of TDTREQ does not prevent data being written to the XMTFIFO, but indicates the number of additional write cycles which can take place, before the XMTFIFO is filled, and subsequent writes will not return DTV (see the FIFO Sub-System section for additional details). Read operations to this register will be ignored and DTV will not be returned.

Byte transfers to the XMTFIFO are supported, and accept data from the source memory architecture to ensure the correct byte ordering for transmission, defined by the BSWP bit in the MAC Configuration Control register. The Byte Enable inputs (BE1-0) will define which half of the data bus should be used for the transfer. The use of byte transfers have implications on the latency time provided by the XMTFIFO (see the *FIFO Sub-System* section for additional details). The external host/controller must indicate the last byte/word

of data in a transmit frame is being written to the XMTFIFO, by asserting the EOF signal.

Transmit Frame Control (XMTFC) (REG ADDR 2)

The Transmit Frame Control register is latched internally on the last write to the Transmit FIFO for each individual packet, when \overline{EOF} is asserted. This permits automatic transmit padding and FCS generation on a packet-by-packet basis.

DRTRY	RES	RES	DXMTFCS	RES	RES	APAD XMT
-------	-----	-----	---------	-----	-----	----------

Bit	Name	Description
Bit 7	DRTRY	Disable Retry. When DRTRY is set, the MACE device will provide a single transmission attempt for the packet, all further retries will be suspended. In the case of a collision during the attempt, a Retry Error (RTRY) will be reported in the Transmit Status. With DRTRY cleared, the MACE device will attempt up to 15 retries (16 attempts total) before indicating a Retry Error. DRTRY is cleared by activation of the RESET pin or SWRST bit. DRTRY is sampled during the transmit process when a collision occurs. DRTRY should not be changed whilst data remains in the Transmit FIFO since this may cause an unpredictable retry response to a collision. Once the Transmit FIFO is empty, DRTRY can be reprogrammed.
Bit 6-4	RES	Reserved. Read as zeroes. Always write as zeroes.
Bit 3	DXMTFCS	Disable Transmit FCS. When DXMTFCS = 0 the transmitter will generate and append an FCS to the transmitted frame. When DXMTFCS = 1, no FCS will be appended to the transmitted frame, providing that APAD XMT is also clear. If APAD XMT is set, the calculated FCS will be appended to the transmitted message regardless of the state of DXMTFCS. The value of DXMTFCS for each frame is programmed when \overline{EOF} is asserted to transfer the last byte/word for the transmit packet to the FIFO. DXMTFCS is cleared by activation of the RESET pin or SWRST bit. DXMTFCS is sampled only when \overline{EOF} is

asserted during a Transmit FIFO write.

Bit	Name	Description
Bit 2-1	RES	Reserved. Read as zeroes. Always write as zeroes.
Bit 0	APAD XMT	Auto Pad Transmit. APAD XMT enables the automatic padding feature. Transmit frames will be padded to extend them to 64 bytes including FCS. The FCS is calculated for the entire frame including pad, and appended after the pad field. APAD XMT will override the programming of the DXMTFCS bit. APAD XMT is set by activation of the RESET pin or SWRST bit. APAD XMT is sampled only when \overline{EOF} is asserted during a Transmit FIFO write.

Transmit Frame Status (XMTFS) (REG ADDR 3)

The Transmit Frame Status is valid when the XMTSV bit is set. The register is read only, and is cleared when XMTSV is set and a read operation is performed. The XMTINT bit in the Interrupt Register will be set when any bit is set in this register.

Note that if XMTSV is not set, the values in this register can change at any time, including during a read operation. This register should be read after the Transmit Retry Count (XMTRC). See the description of the Transmit Retry Count (XMTRC) for additional details.

XMTSV	UFLO	LCOL	MORE	ONE	DEFER	LCAR	RTRY
-------	------	------	------	-----	-------	------	------

Bit	Name	Description
Bit 7	XMTSV	Transmit Status Valid. Transmit Status Valid indicates that this status is valid for the last frame transmitted. The value of XMTSV will not change during a read operation.
Bit 6	UFLO	Underflow. Indicates that the Transmit FIFO emptied before the end of frame was reached. The transmitted frame is truncated at that point. If UFLO is set, TDTREQ will be de-asserted, and will not be re-asserted until the XMTFS has been read.
Bit 5	LCOL	Late Collision. Indicates that a collision occurred after the slot time of the channel elapsed. If LCOL is set, TDTREQ will be de-asserted, and will not be

		re-asserted until the XMTFS has been read. The MACE device does not retry after a late collision.
Bit 4	MORE	More. Indicates that more than one retry was needed to transmit the frame. ONE, MORE and RTRY are mutually exclusive.
Bit 3	ONE	One. Indicates that exactly one retry was needed to transmit the frame. ONE, MORE and RTRY are mutually exclusive.
Bit 2	DEFER	Defer. Indicates that MACE device had to defer transmission of the frame. This condition results if the channel is busy when the MACE device is ready to transmit.
Bit 1	LCAR	Loss of Carrier. Indicates that the carrier became false during a transmission. The MACE device does not retry upon Loss of Carrier. LCAR will not be set when the DAI port is selected, when the 10BASE-T port is selected and in the link pass state, or during any internal loopback mode. When the 10BASE-T port is selected and in the link fail state, LCAR will be reported for any transmission attempt.
Bit 0	RTRY	Retry Error. Indicates that all attempts to transmit the frame were unsuccessful, and that further attempts have been aborted. If Disable Retry (DRTRY in the Transmit Frame Control register) is cleared, RTRY will be set when a total of 16 unsuccessful attempts were made to transmit the frame. If DRTRY is set, RTRY indicates that the first and only attempt to transmit the frame was unsuccessful. ONE, MORE and RTRY are mutually <u>exclusive</u> . If RTRY is set, TDTREQ will be de-asserted, and will not be re-asserted until the XMTFS has been read.

Transmit Retry Count (XMTRC) (REG ADDR 4)

The Transmit Retry Count should be read only in response to a hardware interrupt request (INTR asserted) when XMTINT is set in the Interrupt Register, or after XMTSV is set in the Poll Register. The register should be read before the Transmit Frame Status register. Reading the Transmit Frame Status with XMTSV set will cause the XMTRC value to be reset. This register is read only.

EXDEF	RES	RES	RES	XMTRC[3-0]
-------	-----	-----	-----	------------

Bit	Name	Description
Bit 3-0	EXDEF	Excessive Defer. The EXDEF bit will be set if a transmit frame waited for an excessive period for transmission. An excessive defer time is defined in accordance with the following (from page 34, section 5.2.4.1 of IEEE Std 802.3h-1990 Layer Management): $\text{maxDeferTime} = \{2 \times (\text{max frame size} \times 8)\}$ bits where $\text{maxFrameSize} = 1518$ bytes (from page 68, section 4.4.2.1 of ANSI/IEEE Std 802.3-1990). So, the $\text{maxDeferTime} = 24288$ bits = $2^{14} + 2^{12} + 2^{11} + 2^{10} + 2^9 + 2^7 + 2^6 + 2^5$
Bit 6-4	RES	Reserved. Read as zeroes. Always write as zeroes.
Bit 3-0	[3-0]	XMTRCTransmit Retry Count. Contains the count of the number of retry attempts made by the MACE device to transmit the current transmit packet. The value of the counter will be zero if the first transmission attempt was successful, and a maximum of 15 if all retry attempts were utilized. RTRY will be set in Transmit Frame Status if all 16 attempts were unsuccessful.

Receive Frame Control (RCVFC) (REG ADDR 5)

RES	RES	RES	RES	LLRCV	M/R	RES	ASTRPRCV
-----	-----	-----	-----	-------	-----	-----	----------

Bit	Name	Description
Bit 7-4	RES	Reserved. Read as zeroes. Always write as zeroes.
Bit 3	LLRCV	Low Latency Receive. A programmable option to allow access to the Receive FIFO before the 64-byte threshold has been reached. When set, data can be read from the RCVFIFO once a low threshold (12-bytes after SFD plus synchronization) has been exceeded, causing <u>RDTREQ</u> to be asserted. RDTREQ will remain asserted as long as one read cycle can be performed on the RCVFIFO (identical to the burst mode). Indication of a valid read cycle <u>from</u> the RCVFIFO will return <u>DTV</u> asserted. Reading the RCVFIFO before data is available, or while waiting for addi-

tional data once a packet is in progress will not cause the RCVFIFO to underflow, and will be indicated by \overline{DTV} being invalid. The MACE device will no longer be able to reject runts in this mode, this responsibility is transferred to the host system. In the case of a collided packet (normal slot time collision or late collision), the MACE device will abort the reception, and return the RCVFS. Note that all collisions in this mode will appear as late collisions and be reported by the CLSN bit in the Receive Status (RCVSTS) byte.

If the host does not keep up with the incoming receive data, normal RCVFIFO overflow recovery is provided.

Bit 2 M/R Match/Reject. The Match/Reject option sets the criteria for the External Address Detection Interface. If set, the EAM/R pin is configured as External Address Match, and is used to signal the acceptance of a receive frame to the MACE device. If cleared, the pin functions as External Address Reject and is used to flush unwanted packets from the Receive FIFO prior to the first assertion of \overline{RDTREQ} . M/R is cleared by activation of the RESET pin or SWRST bit. When the EADI feature is disabled, the EAM/R pin must be tied active (low) and all normal receive address recognition configurations are supported (physical, logical and promiscuous). See the section "External Address Detection Interface" for additional details.

Bit 1 RES Reserved. Read as zero. Always write as zero. Bit 0 ASTRP RCV Auto Strip Receive. ASTRP RCV enables the automatic pad stripping feature. The pad and FCS fields will be stripped from receive frames and not placed in the FIFO. ASTRP RCV is set by activation of the RESET pin or the SWRST bit.

Receive Frame Status (RCVFS) (REG ADDR 6)

RCVFS [31-00]

The Receive Frame Status is a single byte location which must be read by four read cycles to obtain the four bytes (32-bits) of status associated with each

receive frame. Receive Frame Status can be read using either the Register Direct or FIFO Direct access modes.

In Register Direct mode, access to the Receive FIFO will be denied until all four status bytes for the completed frame have been read from the Receive Frame Status location. In FIFO Direct mode, the Receive Frame Status is read through the Receive FIFO location, by continuing to execute four read cycles after the completion of packet data (and assertion of \overline{EOF}). The Receive Frame Status can be read using either mode, or a combination of both modes, however each status byte will be presented only once regardless of access method. Other register reads and/or writes can be interleaved at any time, during the Receive Frame Status sequence.

The Receive Frame Status consists of the following four bytes of information:

- RFS0 Receive Message Byte Count (RCVCNT) [11-0]
- RFS1 Receive Status, (RCVSTS) [15-12]
- RFS2 Runt Packet Count (RNTPC) [7-0]
- RFS3 Receive Collision Count (RCVCC) [7-0]

RFS0—Receive Message Byte Count (RCVCNT)

RCVCNT [7:0]

Bit	Name	Description
Bit 7-0	RCVCNT [7:0]	The Receive Message Byte Count indicates the number of whole bytes in the received message. If pad bytes were stripped from the received frame, RCVCNT indicates the number of bytes received less the number of pad bytes and less the number of FCS bytes. RCVCNT is 12 bits long. If a late collision is detected (CLSN set in RCVSTS), the count is an indication of the length (in byte times) of the duration of the receive activity including the collision. RCVCNT [10:8] correspond to bits 3-0 in RFS1 of the Receive Frame Status. RCVCNT [11-0] will be invalid when OFLO is set.

RFS1—Receive Status (RCVSTS)

OFLO | CLSN | FRAM | FCS | RCVCNT [10:8]

Bit	Name	Description
Bit 7	OFLO	Overflow flag. Indicates that the Receive FIFO overflowed due

to the inability of the host/controller to read data fast enough to keep pace with the receive serial bit stream and the latency provided by the Receive FIFO itself. OFLO is indicated on the receive frame that caused the overflow condition; complete frames in the Receive FIFO are not affected. While the Receive FIFO is in the overflow condition, it ignores additional receive data on the network. The internal address detect logic will continue to operate and the Missed Packet Count (MPC in register 24) will be incremented for each packet which passes the address match criteria, and complete without collision.

Bit 6	CLSN	Collision Flag. Indicates that the receive operation suffered a collision during reception of the frame. If CLSN is set, it indicates that the receive frame suffered a late collision, since a frame experiencing collision within the slot time will be automatically deleted from the RCVFIFO (providing LLRCV in the Receive Frame Control register is cleared). Note that if the LLRCV bit is enabled, the late collision threshold is effectively moved from the normal 64-byte (512-bit) level to the 12-byte (96-bit) level. Runt packets suffering a collision will be flushed from the RCVFIFO regardless of the state of the RPA bit (User Test Register). CLSN will not be set if OFLO is set.
Bit 5	FRAM	Framing Error flag. Indicates that the received frame contained a non-integer multiple of bytes and an FCS error. If there was no FCS error then FRAM will not be set. FRAM is not valid during internal loopback. FRAM will not be set if OFLO is set.
Bit 4	FCS	FCS Error flag. Indicates that there is an FCS error in the frame. The receive FCS is computed and checked normally when ASTRP RCV = 1, but is not passed to the host. FCS will not be set if OFLO is set.
Bit 3-0	RCVCNT [11:8]	The Receive Message Byte Count indicates the number of whole bytes in the received

message from the network. RCVCNT is 12 bits long, and valid (accurate) only when there are no errors reported in the Receive Status (RCVSTS). If a late collision is detected (CLSN set in RCVSTS), the count is an indication of the length (in byte times) of the duration of the receive activity including the collision. RCVCNT [7:0] correspond to bits 7-0 in RFS0 of the Receive Frame Status. RCVCNT [11-0] will be invalid when OFLO is set.

RFS2—Runt Packet Count (RNTPC)

RNTPC [7-0]

Bit	Name	Description
Bit 7-0	RNTPC [7-0]	The Runt Packet Count indicates the number of runt packets received, addressed to this node, since the last successfully received packet. The value does not roll over after 255 runt packets have been detected, and will remain frozen at the maximum count.

RFS3—Receive Collision Count (RCVCC)

RCVCC [7-0]

Bit	Name	Description
Bit 7-0	RCVCC [7-0]	The Receive Collision Count indicates the number of collisions detected on the network since the last successfully received packet. The value does not roll over after 255 collisions have been detected, and will remain frozen at the maximum count.

FIFO Frame Count (FIFOFC) (REG ADDR 7)

RCVFC[3-0]	XMTFC[3-0]
------------	------------

Bit	Name	Description
Bit 7-4	RCVFC [3-0]	Receive Frame Count. The (read only) count of the frames in the Receive FIFO. A frame is counted when the last byte is put in the FIFO. The counter is decremented when the last byte of the frame is read. If the RCVFC reaches its maximum value of

15, additional receive frames will be ignored, and the Missed Packet Count (MPC) register will be incremented for frames which match the internal address(es) of the MACE device.

Bit 3–0 XMTFC
[3–0]

Transmit Frame Count. The (read only) count of the frames in the Transmit FIFO. A frame is counted when the last byte is put in the FIFO. The counter is decremented when XMTSV (in the Transmit Frame Status and Poll Register) is set and the Transmit Frame Status read access is performed.

Interrupt Register (IR) (REG ADDR 8)

All status bits are set upon occurrence of an event and cleared when read. The register is read only. In addition all status bits are cleared by hardware or software reset. Bit assignments for the register are as follows:

JAB	BABL	CERR	RDVCCO	RNTPCO	MPCO	RCVINT	XMTINT
-----	------	------	--------	--------	------	--------	--------

Bit Name Description

Bit 7 JAB Jabber Error. JAB indicates that the MACE device attempted to transmit for an excessive time period (20–150 ms), when using either the DAI port or the 10BASE–T port. If the internal jabber timer expires during transmission, the transmit bit stream will be interrupted, until the internal transmission ceases and the *unjab* timer (0.5 s ±0.25 s) expires. The jabber function will be disabled, and JAB will not be set, regardless of transmission length, when either the AUI or GPSI ports have been selected.

JAB is READ/CLEAR only, and is set by the MACE device and reset when read. Writing has no effect. It is also cleared by activation of the $\overline{\text{RESET}}$ pin or SWRST bit.

Bit 6 BABL

Babble Error. BABL is the transmitter time-out error. It indicates that the transmitter has been on the channel longer than the time required to send the maximum packet. It will be set after 1519 bytes (or greater) have been transmitted. The MACE device will continue to transmit until the current packet transmission is over. The INTR pin will be activated if the

corresponding mask bit BABLM = 0.

BABL is READ/CLEAR only, and is set by the MACE device and reset when read. Writing has no effect. It is also cleared by activation of the $\overline{\text{RESET}}$ pin or SWRST bit.

Bit 5 CERR

Collision Error. CERR indicates the absence of the Signal Quality Error Test (SQE Test) message after a packet transmission. The SQE Test message is a transceiver test feature. Detection depends on the MACE network interface selected. In all cases, CERR will be set if the MACE device failed to observe the SQE Test message within 20 network bit times after the packet transmission ended. When CERR is set, the INTR pin will be activated if the corresponding mask bit CERRM = 0.

When the AUI port is selected, the SQE Test message is returned over the $\text{Cl}\pm$ pair as a brief (5-15 bit times) burst of 10 MHz activity. When the 10BASE–T port is selected, CERR will be reported after a transmission only when the internal transceiver is in the link fail state (LNKST pin = HIGH). When the GPSI port is selected, the CLSN pin must be asserted by the external encoder/decoder to provide the SQE Test function. When the DAI port is selected, CERR will not be reported at any time.

CERR is READ/CLEAR only. It is set by the MACE and reset when read. Writing has no effect. It is also cleared by activation of the $\overline{\text{RESET}}$ pin or SWRST bit.

Bit 4 RCVCCO

Receive Collision Count Overflow. Indicates that the Receive Collision Count register rolled over at a value of 255 receive collisions. Receive collisions are defined as received frames which suffered a collision. The INTR pin will be activated if the corresponding mask bit RCVCCOM = 0. Note that the RCVCC value returned in the Receive Frame Status (RFS3) will freeze at a value of 255, whereas this register based version of

RCVCC (REG ADDR 27) is free running.

RCVCCO is READ/CLEAR only. It is set by the MACE device and reset when read. Writing has no effect. It is also cleared by asserting the $\overline{\text{RESET}}$ pin or SWRST bit.

Bit 3 RNTPCO Runt Packet Count Overflow. Indicates that the Runt Packet Count register rolled over at a value of 255 runt packets. Runt packets are defined as received frames which passed the internal address match criteria but did not contain a minimum of 64-bytes of data after SFD. The INTR pin will be activated if the corresponding mask bit RNTPCOM = 0. Note that the RNTPC value returned in the Receive Frame Status (RFS2) will freeze at a value of 255, whereas this register based version of RNTPC (REG ADDR 26) is free running.

RNTPCO is READ/CLEAR only. It is set by the MACE device and reset when read. Writing has no effect. It is also cleared by asserting the $\overline{\text{RESET}}$ pin or SWRST bit.

Bit 2 MPCO Missed Packet Count Overflow. Indicates that the Missed Packet Count register rolled over at a value of 255 missed frames. Missed frames are defined as received frames which passed the internal address match criteria but were missed due to a Receive FIFO overflow, the receiver being disabled (ENRCV = 0) or an excessive receive frame count (RCVFC > 15). The INTR pin will be activated if the corresponding mask bit MPCOM = 0.

MPCO is READ/CLEAR only. It is set by the MACE device and reset when read. Writing has no effect. It is also cleared by asserting the $\overline{\text{RESET}}$ pin or SWRST bit.

Bit 1 RCVINT Receive Interrupt. Indicates that the host read the last byte/word of a packet from the Receive FIFO. The Receive Frame Status is available immediately on the next host read operation. The INTR pin will be activated if

the corresponding mask bit RCVINTM = 0.

RCVINT is READ/CLEAR only. It is set by the MACE device and reset when read. Writing has no effect. It is also cleared by activation of the $\overline{\text{RESET}}$ pin or SWRST bit.

Bit 0 XMTINT Transmit Interrupt. Indicates that the MACE device has completed the transmission of a packet and updated the Transmit Frame Status. The INTR pin will be activated if the corresponding mask bit XMTINTM = 0.

XMTINT is READ/CLEAR only. It is set by the MACE device and reset when read. Writing has no effect. It is also cleared by activation of the $\overline{\text{RESET}}$ pin or SWRST bit.

Interrupt Mask Register (IMR) (REG ADDR 9)

This register contains the mask bits for the interrupts. Read/write operations are permitted. Writing a one into a bit will mask the corresponding interrupt. Writing a zero to any previously set bit will unmask the corresponding interrupt. Bit assignments for the register are as follows:

RES	BABLM	CERRM	RCVCCOM	RNTPCOM	MPCOM	RCVINTM	XMTINTM
-----	-------	-------	---------	---------	-------	---------	---------

Bit	Name	Description
Bit 7	JABM	Jabber Error Mask. <u>JABM</u> is the mask for JAB. The INTR pin will not be asserted by the MACE device regardless of the state of the JAB bit, if JABM is set. It is <u>cleared</u> by activation of the $\overline{\text{RESET}}$ pin or SWRST bit.
Bit 6	BABLM	Babble Error Mask. <u>BABLM</u> is the mask for BABL. The INTR pin will not be asserted by the MACE device regardless of the state of the BABL bit, if BABLM is set. <u>It is cleared</u> by activation of the $\overline{\text{RESET}}$ pin or SWRST bit.
Bit 5	CERRM	Collision Error Mask. <u>CERRM</u> is the mask for CERR. The INTR pin will not be asserted by the MACE device regardless of the state of the CERR bit, if CERRM is set. <u>It is cleared</u> by activation of the $\overline{\text{RESET}}$ pin or SWRST bit.
Bit 4	RCVCCOM	Receive Collision Count Overflow Mask. <u>RCVCCOM</u> is the mask for RCVCCO(Receive Collision Count Overflow). The INTR pin will not be asserted by

- the MACE device regardless of the state of the RCVCCO bit, if RCVCCOM is set. It is cleared by activation of the RESET pin or SWRST bit.
- Bit 3 RNTPCOM Runt Packet Count Overflow Mask. RNTPCOM is the mask for RNTPCO (Runt Packet Count Overflow). The INTR pin will not be asserted by the MACE device regardless of the state of the RNTPCO bit, if RNTPCOM is set. It is cleared by activation of the RESET pin or SWRST bit.
 - Bit 2 MPCOM Missed Packet Count Overflow Mask. MPCOM is the mask for MPCO (Missed Packet Count Overflow). The INTR pin will not be asserted by the MACE device regardless of the state of the MPCO bit, if MPCOM is set. It is cleared by activation of the RESET pin or SWRST bit.
 - Bit 1 RCVINTM Receive Interrupt Mask. RCVINTM is the mask for RCVINT. The INTR pin will not be asserted by the MACE device regardless of the state of the RCVINT bit, if RCVINTM is set. It is cleared by activation of the RESET pin or SWRST bit.
 - Bit 0 XMTINTM Transmit Interrupt Mask. XMTINTM is the mask for XMTINT. The INTR pin will not be asserted by the MACE device regardless of the state of the XMTINT bit, if XMTINTM is set. It is cleared by activation of the RESET pin or SWRST bit.

- Bit 6 TDTREQ Transmit Data Transfer Request. An internal indication of the current request status of the Transmit FIFO. TDTREQ is set when the external TDTREQ signal is asserted.
- Bit 5 RDTREQ Receive Data Transfer Request. An internal indication of the current request status of the Receive FIFO. RDTREQ is set when the external RDTREQ signal is asserted.
- Bit 4-0 RES Reserved. Read as zeroes. Always write as zeroes.

BIU Configuration Control (BIUCC) (REG ADDR 11)

All bits within the BIU Configuration Control register will be set to their default state upon a hardware or software reset. Bit assignments are as follows:

RES	BSWP	XMTSP [1-0]	RES	RES	RES	SWRST
-----	------	-------------	-----	-----	-----	-------

Bit	Name	Description
Bit 7	RES	Reserved. Read as zero. Always write as zero.
Bit 6	BSWP	Byte Swap. The BSWP function allows data to and from the FIFOs to be orientated according to little endian or big endian byte ordering conventions. BSWP is cleared by activation of the RESET pin or SWRST bit, defaulting to Intel byte ordering.
Bit 5-4	XMTSP [1-0]	Transmit Start Point. XMTSP controls the point preamble transmission commences in relation to the number of bytes written to the XMTFIFO. When the entire frame is in the XMTFIFO (or the XMTFIFO becomes full before the threshold is achieved), transmission of preamble will start regardless of the value in XMTSP (once the IPG time has expired). XMTSP is given a value of 10 (64 bytes) after hardware or software reset. Regardless of XMTSP, the FIFO will not internally over write its data until at least 64 bytes, or the entire frame, has been transmitted onto the network. This ensures that for collisions within the slot time window, transmit data need not be re-written to the XMTFIFO, and re-tries will be handled autonomously by the MACE device.

XMTSV	TDTREQ	RDTREQ	RES	RES	RES	RES	RES
-------	--------	--------	-----	-----	-----	-----	-----

Poll Register (PR) (REG ADDR 10)

This register contains copies of internal status bits to simplify a host implementation which is non-interrupt driven. The register is read only, and its status is unaffected by read operations. All register bits are cleared by hardware or software reset. Bit assignments are as follows:

Bit	Name	Description
Bit 7	XMTSV	Transmit Status Valid. Transmit Status Valid indicates that the Transmit Frame Status is valid.

Transmit Start Point

XMTSP [1-0]	Bytes
00	4
01	16
10	64
11	112

- Bit 3-1 RES Reserved. Read as zeroes. Always write as zeroes.
- Bit 0 SWRST Software Reset. When set, provides an equivalent of the hardware RESET pin function. All register bits will be set to their default values. The MACE device will require re-initialization after SWRST has been activated. The MACE device will clear SWRST during its internal reset sequence.

FIFO Configuration Control (REG ADDR 12) (FIFOC)

All bits within the FIFO Configuration Control register will be set to their default state upon a hardware or software reset. Bit assignments are as follows:

XMTFW[1-0]	RCVFW [1-0]	XMTFWU	RCVFWU	XMTBRST	RCVBRST
------------	-------------	--------	--------	---------	---------

Bit	Name	Description
-----	------	-------------

- Bit 7-6 XMTFW [1-0] Transmit FIFO Watermark. XMTFW controls the point TDTREQ is asserted in relation to the number of write cycles to the Transmit FIFO. TDTREQ will be asserted at any time that the number of write cycles specified by XMTFW can be executed. XMTFW is set to a value of 00 (8 cycles) after hardware or software reset.

Transmit FIFO Watermarks

XMTSP [1-0]	Bytes
00	8
01	16
10	32
11	XX

The XMTFW value will only be updated when the XMTFWU bit is set.

To ensure that sufficient space is present in the XMTFIFO to accept the specified number of

write cycles (including an End-Of-Frame delimiter), TDTREQ may go inactive before the XMTSP threshold is reached when using the non burst mode (XMTBRST = 0). The host must be aware that despite TDTREQ going inactive, additional space exists in the XMTFIFO, and the data write must continue to ensure the XMTSP threshold is achieved. No transmit activity will commence until the XMTSP threshold is reached. When using the burst mode, TDTREQ will not be de-asserted until only a single write cycle can be performed. See the FIFO Sub-system section for additional details.

- Bit 5-4 RCVFW [1-0] Receive FIFO Watermark. RCVFW controls the point RDTREQ is asserted in relation to the number of bytes available in the RCVFIFO. RCVFW specifies the number of bytes which must be present (once the packet has been verified as a non-runt), before the RDTREQ is asserted. Note however that in order for RDTREQ to be activated for a new frame, at least 64-bytes must have been received. This effectively avoids reacting to receive frames which are runts or suffer a collision during the slot time (512 bit times). If the Runt Packet Accept feature (RPA in Receive Frame Control) is enabled, the RDTREQ pin will be activated as soon as either 64-bytes are received, or a complete valid receive frame is detected (regardless of length). RCVFW is set to a value of 10 (64 bytes) after hardware or software reset.

Receive FIFO Watermarks

XMTSP [1-0]	Bytes
00	16
01	32
10	64
11	XX

The RCVFW value will only be updated when the RCVFWU bit is set.

- Bit 3 XMTFWU Transmit FIFO Watermark Update. Allows update of the

Transmit FIFO Watermark bits. The XMTFW can be written at any point, and will be read back as written. However, the new value in the XMTFW bits will be ignored until XMTFWU is set (or the transmit path is reset due to a retry failure). The recommended procedure to change the XMTFW is to write the new value with XMTFWU set, in a single write cycle. The XMTFIFO should be empty and all transmit activity complete before attempting a watermark update, since the XMTFIFO will be reset to allow the new pointer values to be loaded. It is recommended that the transmitter be disabled by clearing the ENXMT bit. XMTFWU will be cleared by the MACE device after the new XMTFW value has been loaded, or by activation of the RESET pin or SWRST bit.

Bit 2 RCVFWU

Receive FIFO Watermark Update. Allows update of the Receive FIFO Watermark bits. The RCVFW bits can be written at any point, and will read back as written. However, the new value in the RCVFW bits will be ignored until RCVFWU is set. The recommended procedure to change the RCVFW is to write the new value with RCVFWU set, in a single write cycle. The RCVFIFO should be empty before attempting a watermark update, since the RCVFIFO will be reset to allow the new pointer values to be loaded. It is recommended that the receiver be disabled by clearing the ENRCV bit. RCVFWU will be cleared by the MACE device after the new RCVFW value has been loaded, or by activation of the RESET pin or SWRST bit.

Bit 1 XMTBRST

Transmit Burst. When set, the transmit burst mode is selected. The behavior of the Transmit FIFO high watermark, and hence the de-assertion of TDTRREQ, will be modified. TDTRREQ will be deasserted if there are only two bytes of space available in the XMTFIFO (so that a full word write can still occur) or if four bytes of space exist and the EOF pin is asserted by the host. TDTRREQ will be

asserted identically in both normal and burst modes, when there is sufficient space in the XMTFIFO to allow the specified number of write cycles to occur (programmed by the XMTFW bits).

Cleared by activation of the RESET pin or SWRST bit.

Bit 0 RCVBRST

Receive Burst. When set, the receive burst mode is selected. The behavior of the Receive FIFO low watermark, and hence the de-assertion of RDTREQ, will be modified. RDTREQ will de-assert when there are only 2-bytes of data available in the RCVFIFO (so that a full word read can still occur).

RDTREQ will be asserted identically in both normal and burst modes, when a minimum of 64-bytes have been received for a new frame (or a runt packet has been received and RPA is set). Once the 64-byte limit has been exceeded, RDTREQ will be asserted providing there is sufficient data in the RCVFIFO to exceed the threshold, as programmed by the RCVFW bits.

Cleared by activation of the RESET pin or SWRST bit.

MAC Configuration Control (MACCC)

(REG ADDR 13)

This register programs the transmit and receive operation and behavior of the internal MAC engine. All bits within the MAC Configuration Control register are cleared upon hardware or software reset. Bit assignments are as follows:

PROM	DXMT2PD	EMBA	RES	DRCVPA	DRCVBC	ENXMT	ENRCV
------	---------	------	-----	--------	--------	-------	-------

Bit	Name	Description
Bit 7	PROM	Promiscuous. When PROM is set all incoming frames are received regardless of the destination address. PROM is <u>cleared</u> by activation of the RESET pin or SWRST bit.
Bit 6	DXMT2PD	Disable Transmit Two Part Deferral. When set, disables the transmit two part deferral option. DXMT2PD is <u>cleared</u> by activation of the RESET pin or SWRST bit.
Bit 5	EMBA	Enable Modified Back-off Algorithm. When set, enables the

		modified backoff algorithm. EMBA is cleared by activation of the $\overline{\text{RESET}}$ pin or SWRST bit.
Bit 4	RES	Reserved. Read as zeroes. Always write as zeroes.
Bit 3	DRCVPA	Disable Receive Physical Address. When set, the physical address detection (Station or node ID) of the MACE device will be disabled. Packets addressed to the nodes individual physical address will not be recognized (although the packet may be accepted by the EADI mechanism). DRCVPA is cleared by activation of the $\overline{\text{RESET}}$ pin or SWRST bit.
Bit 2	DRCVBC	Disable Receive Broadcast. When set, disables the MACE device from responding to broadcast messages. Used for protocols that do not support broadcast addressing, except as a function of multicast. DRCVBC is cleared by activation of the $\overline{\text{RESET}}$ pin or SWRST bit (broadcast messages will be received).
Bit 1	ENXMT	Enable Transmit. Setting ENXMT = 1 enables transmission. With ENXMT = 0, no transmission will occur. If ENXMT is written as 0 during frame transmission, a packet transmission which is incomplete will have a guaranteed CRC violation appended before the internal Transmit FIFO is cleared. No subsequent attempts to load the FIFO should be made until ENXMT is set and TDTREQ is asserted. ENXMT is cleared by activation of the $\overline{\text{RESET}}$ pin or SWRST bit.
Bit 0	ENRCV	Enable Receive. Setting ENRCV = 1 enables reception of frames. With ENRCV = 0, no frames will be received from the network into the internal FIFO. When ENRCV is written as 0, any receive frame currently in progress will be completed (and valid data contained in the RCVFIFO can be read by the host) and the MACE device will enter the monitoring state for missed packets. Note that clearing the ENRCV bit disables the assertion of RDTREQ. If ENRCV is cleared during re-

ceive activity and remains cleared for a long time and if the tail end of the receive frame currently in progress is longer than the amount of space available in the Receive FIFO, Receive FIFO overflow will occur. However, even with RDTREQ deasserted, if there is valid data in the Receive FIFO to be read, successful slave reads to the Receive FIFO can be executed (indicated by valid DTV). It is the host's responsibility to avoid the overflow situation. ENRCV is cleared by activation of the $\overline{\text{RESET}}$ pin or SWRST bit.

PLS Configuration Control (PLSCC) (REG ADDR 14)

All bits within the PLS Configuration Control register are cleared upon a hardware or software reset. Bit assignments are as follows:

RES	RES	RES	RES	XMTSEL	PORTSEL [1-0]	ENPLSIO
-----	-----	-----	-----	--------	---------------	---------

Bit	Name	Description
Bit 7-4	RES	Reserved. Read as zeroes. Always write as zeroes.
Bit 3	XMTSEL	Transmit Mode Select. XMTSEL provides control over the AUI DO+ and DO- operation while the MACE device is not transmitting. With XMTSEL = 0, DO+ and DO will be equal during transmit idle state, providing zero differential to operate transformer coupled loads. The turn off and return to zero delays are controlled internally. With XMTSEL = 1, DO+ is positive with respect to DO during the transmit idle state .
Bit 2-1	PORTSEL [1-0]	Port Select. PORTSEL is used to select between the AUI, 10BASE-T, DAI or GPSI ports of the MACE device. PORTSEL is cleared by hardware or software reset. PORTSEL will determine which of the interfaces is used during normal operation, or tested when utilizing the loop-back options (LOOP [1-0]) in the User Test Register. Note that the PORTSEL [1-0] programming will be overridden if the ASEL bit in the PHY Configuration Control register is set.

PORTSEL Interface Definition

PORTSEL [1-0]	Active Interface	DXCVR Pin
00	AUI	LOW
01	10BASE-T	HIGH
10	DAI Port	HIGH
11	GPSI	LOW

Bit 0 ENPLSIO Enable PLS I/O. ENPLSIO is used to enable the optional I/O functions from the PLS function. The following pins are affected by the ENPLSIO bit: RXCRS, RXDAT, TXEN, TXDAT+, TXDAT-, CLSN, STDCLK, RDCLK and SRD. Note that if an external SIA is being utilized via the GPSI, PORTSEL [1-0] = 11 must be programmed before ENPLSIO is set, to avoid contention of clock, data and/or carrier indicator signals.

PHY Configuration Control (PHYCC) (REG ADDR 15)

All bits within the PHY Configuration Control register with the exception of LNKFL, are cleared by hardware or software reset. Bit assignments are as follows:

LNKFL	DLNKTST	REVPOL	DAPC	LRT	ASEL	RWAKE	AWAKE
-------	---------	--------	------	-----	------	-------	-------

Bit Name Description

Bit 7 LNKFL Link Fail. Reports the link integrity of the 10BASE-T receiver. When the link test function is enabled (DLNKTST = 0), the absence of link beat pulses on the RXD± pair will cause the integrated 10BASE-T transceiver to go into the link fail state. In the link fail state, data transmission, data reception, data loopback and the collision detection functions are disabled, and remain disabled until valid data or >5 consecutive link pulses appear on the RXD± pair. During link fail, the LNKFL bit will be set and the LNKST pin should be externally pulled HIGH. When the link is identified as functional, the LNKFL bit will be cleared and the LNKST pin is driven LOW, which is capable of directly driving a Link OK LED. In order to inter-operate with systems which do not implement Link Test, this function can be disabled by setting the

DLNKTST bit. With Link Test disabled (DLNKTST = 1), the data driver, receiver and loopback functions as well as collision detection remain enabled irrespective of the presence or absence of data or link pulses on the RXD± pair. The transmitter will continue to generate link beat pulses during periods of transmit data inactivity. Set by hardware or software reset.

Bit 6 DLNKTST Disable Link Test. When set, the integrated 10BASE-T transceiver will be forced into the link pass state, regardless of receive link test pulses or receive packet activity.

Bit 5 REVPOL Reversed Polarity. Indicates the receive polarity of the RD± pair. When normal polarity is detected, the REVPOL bit will be cleared, and the RXPOL pin (capable of driving a Polarity OK LED) will be driven LOW. When reverse polarity is detected, the REVPOL bit will be set, and the RXPOL pin should be externally pulled HIGH.

Bit 4 DAPC Disable Auto Polarity Correction. When set, the automatic polarity correction will be disabled. Polarity detection and indication will still be possible via the RXPOL pin.

Bit 3 LRT Low Receive Threshold. When set, the threshold of the twisted pair receiver will be reduced by 4.5 dB, to allow extended distance operation.

Bit 2 ASEL Auto Select. When set, the PORTSEL [1-0] bits are overridden, and the MACE device will automatically select the operating media interface port. When the 10BASE-T transceiver is in the link pass state (due to receiving valid packet data and/or Link Test pulses or the DLNKTST bit is set), the 10BASE-T port will be used. When the 10BASE-T port is in the link fail state, the AUI port will be used. Switching between the ports will not occur during transmission in order to avoid any type of fragment generation.

Bit 1 RWAKE Remote Wake. When set prior to the SLEEP pin being activated, the AUI and 10BASE-T receiver sections and the EADI port will

continue to operate even during SLEEP. Incoming packet activity will be passed to the EADI port pins permitting detection of specific frame contents used to initiate a wake-up sequence. RWAKE must be programmed prior to SLEEP being asserted for this function to operate. RWAKE is not cleared by SLEEP, only by activation of the SWRST bit or RESET pin.

Bit 0 AWAKE Auto Wake. When set prior to the SLEEP pin being activated, the 10BASE-T receiver section will continue to operate even during SLEEP, and will activate the LNKST pin if Link Pass is detected. AWAKE must be programmed prior to SLEEP being asserted for this function to operate. AWAKE is not cleared by SLEEP, only by activation of the SWRST bit or RESET pin.

Chip Identification Register (CHIPID [15-00]) (REG ADDR 16 & 17)

This 16-bit value corresponds to the specific version of the MACE device being used. The value will be programmed to X940h, where X is a value dependent on version. [For the current version of the MACE device, X = 3 to denote Rev C0 silicon.]

CHIPID [07-00]
CHIPID [15-08]

Internal Address Configuration (IAC) (REG ADDR 18)

This register allows access to and from the multi-byte Physical Address and Logical Address Filter locations, using only a single byte location.

The MACE device will reset the IAC register PHYADDR and LOGADDR bits after the appropriate number of read or write cycles have been executed on the Physical Address Register or the Logical Address Filter. Once the LOGADDR bit is set, the MACE device will reset the bit after 8 read or write operations have been performed. Once the PHYADDR bit is set, the MACE device will reset the bit after 6 read or write operations have been performed. The MACE device makes no distinction between read or write operations, advancing the internal address RAM pointer with each access. If both PHYADDR and LOGADDR bits are set, the MACE device will accept only the LOGADDR bit. If the PHYADDR bit is set and the Logical Address Filter location is accessed, a DTV will not be returned. Similarly, if the LOGADDR bit is set and the Physical Address Register location is accessed, DTV will not be returned. PHY-

ADDR or LOGADDR can be set in the same cycle as ADDRCHG.

ADDRCHG	RES	RES	RES	RES	PHYADDR	LOGADDR	RES
---------	-----	-----	-----	-----	---------	---------	-----

Bit	Name	Description
Bit 7	ADDRCHG	Address Change. When set, allows the physical and/or logical address to be read or programmed. When ADDRCHG is set, ENRCV will be cleared, the MPC will be stopped, and the last or current in progress receive frame will be received as normal. After the frame completes, access to the internal address RAM will be permitted, indicated by the MACE device clearing the ADDRCHG bit. Please refer to the register description of the ENRCV bit in the MAC Configuration Control register (REG ADDR 13) for the effect of clearing the ENRCV bit. Normal reception can be resumed once the physical/logical address has been changed, by setting ENRCV.
Bit 6-3	RES	Reserved. Read as zeroes. Always write as zeroes.
Bit 2	PHYADDR	Physical Address Reset. When set, successive reads or writes to the Physical Address Register will occur in the order PADR [07-00], PADR [15-08],..., PADR [47-40]. Each read or write operation on the PADR location will auto-increment the internal pointer to access the next most significant byte.
Bit 1	LOGADDR	Logical Address Reset. When set, successive reads or writes to the Logical Address Filter will occur in the order LADRF [07-00], LADRF [15-08],...,LADRF [63-56]. Each read or write operation on the LADRF location will auto-increment the internal pointer to access the next most significant byte.
Bit 0	RES	Reserved. Read as zero. Always write as zero.

Logical Address Filter (LADRF [63-00]) (REG ADDR 20)

LADRF [63-00]

This 64-bit mask is used to accept incoming Logical Addresses. The Logical Address Filter is expected to be programmed at initialization (after hardware or

software reset). After a hardware or software reset and before the ENRCV bit in the MAC Configuration Control register has been set, the Logical Address can be accessed by setting the LOG ADDR bit in the Internal Address Configuration register (REG ADDR 18) and then by performing 8 reads or writes to the Logical Address Filter. Once ENRCV has been set, the ADDR CHG bit in the Internal Address Configuration register must be set and be polled until it is cleared by the MACE device before setting the LOGADDR bit and before accessing of the Logical Address Filter is allowed.

If the least significant address bit of a received message is set (Destination Address bit 00 = 1), then the address is deemed logical, and passed through the FCS generator. After processing the 48-bit destination address, a 32-bit resultant FCS is produced and strobed into an internal register. The high order 6-bits of this resultant FCS are used to select one of the 64-bit positions in the Logical Address Filter (see diagram). If the selected filter bit is a 1, the address is accepted and the packet will be placed in memory.

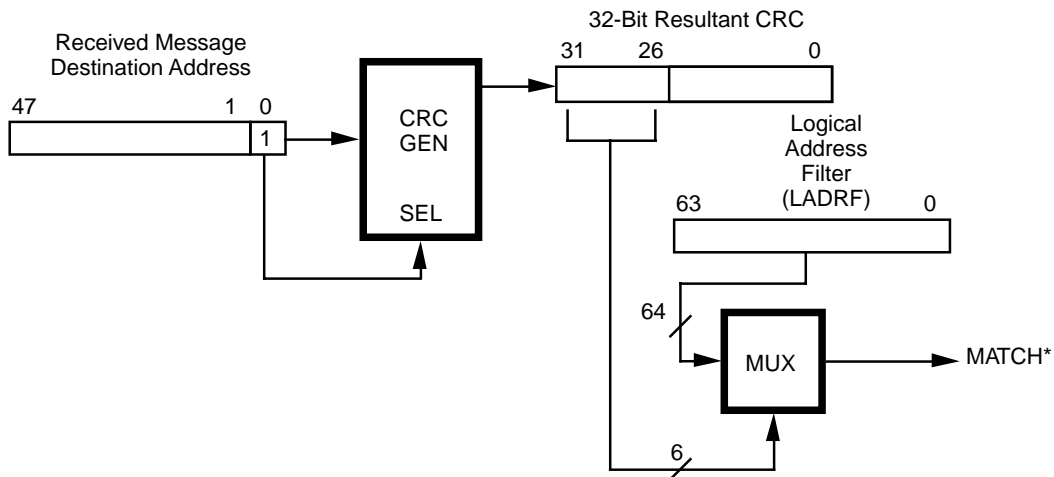
The first bit of the incoming address must be a 1 for a logical address. If the first bit is a 0, it is a physical

address and is compared against the value stored in the Physical Address Register at initialization.

The Logical Address Filter is used in multicast addressing schemes. The acceptance of the incoming frame based on the filter value indicates that the message may be intended for the node. It is the user's responsibility to determine if the message is actually intended for the node by comparing the destination address of the stored message with a list of acceptable logical addresses.

The Broadcast address, which is all ones, does not go through the Logical Address Filter and is always enabled provided the Disable Receive Broadcast bit (DRCVBC in the MAC Configuration Control register) is cleared. If the Logical Address Filter is loaded with all zeroes (and PROM = 0), all incoming logical addresses except broadcast will be rejected.

Multicast addressing can only be performed when using external loopback (LOOP [1-0] = 0) by programming RCVFCSE = 1 in the User Test Register. The FCS logic is internally allocated to the receiver section, allowing the FCS to be computed on the incoming logical address.



MATCH = 1: Packet Accepted

MATCH = 0: Packet Rejected

Logical Address Match Logic

16235D-10

**Physical Address
(PADR [47-00])**

(REG ADDR 21)

PADR [47-00]

This 48-bit value represents the unique node value assigned by the IEEE and used for internal address comparison. After a hardware or software reset and before the ENRCV bit in the MAC Configuration Control register has been set, the Physical Address can be accessed by setting the PHYADDR bit in the Internal Address Configuration register (REG ADDR 18) and then by performing 6 reads or writes to the Physical Address. Once ENRCV has been set, the ADDRCHG bit in the Internal Address Configuration register must be set and be polled until it is cleared by the MACE device before setting the PHYADDR bit and before accessing of the Physical Address is allowed. The first bit of the incoming address must be a 0 for a physical address. The incoming address is compared against the value stored in the Physical Address register at initialization provided that the DRCVPA bit in the MAC Configuration Control register is cleared.

Missed Packet Count (MPC) (REG ADDR 24)

MPC [7-0]

The Missed Packet Count (MPC) is a read only 8-bit counter. The MPC is incremented when the receiver is unable to respond to a packet which would have normally been passed to the host. The MPC will be reset to zero when read. The MACE device will be *deaf* to receive traffic due to any of the following conditions:

- The host disabled the receive function by clearing the ENRCV bit in the MAC Configuration Control register.
- A Receive FIFO overflow condition exists, and must be cleared by reading the Receive FIFO and the Receive Frame Status.
- The Receive Frame Count (RCVFC) in the FIFO Frame Count register exceeds its maximum value, indicating that greater than 15 frames are in the Receive FIFO.

If the number of received frames that have been missed exceeds 255, the MPC will roll over and continue counting from zero, the MPCO (Missed Packet Count Overflow) bit in the Interrupt Register will be set (at the value 255), and the INTR pin will be asserted providing that MPCOM (Missed Packet Count Overflow Mask) in the Interrupt Mask Register is clear. MPCOM will be cleared (the interrupt will be unmasked) after a hardware or software reset.

Note that the following conditions apply to the MPC:

- After hardware or software reset, the MPC will not increment until the first time the receiver is enabled (ENRCV = 1). Once the receiver has been enabled, the MPC will count all missed packet events, regardless of the programming of ENRCV.

- The packet must pass the internal address match to be counted. Any of the following address match conditions will increment MPC while the receiver is *deaf*:
Physical Address match;
Logical Address match;
Broadcast reception;
Any receive in promiscuous mode (PROM = 1 in the MAC Configuration Control register);
EADI feature match mode and EAM is asserted;
EADI feature reject mode and EAR is not asserted.
- Any packet which suffers a collision within the slot time will not be counted.
- Runt packets will not be counted unless RPA in the User Test Register is enabled.
- Packets which pass the address match criteria but experience FCS or Framing errors will be counted, since they are normally passed to the host.

Runt Packet Count (RNTPC) (REG ADDR 26)

RNTPC [7-0]

The Runt Packet Count (RNTPC) is a read only 8-bit counter, incremented when the receiver detects a runt packet that is addressed to this node. Runt packets are defined as received frames which passed the internal address match criteria but did not contain a minimum of 64-bytes of data after SFD. Note that the RNTPC value returned in the Receive Frame Status (RFS2) will freeze at a value of 255, whereas this register based version of RNTPC is free running. The value will roll over after 255 runt packets have been detected, setting the RNTPCO bit (in the Interrupt Register and asserting the INTR pin if the corresponding mask bit (RNTPCOM in the Interrupt Mask Register) is cleared. RNTPC will be reset to zero when read.

Receive Collision Count (RCVCC)(REG ADDR 27)

RCVCC [7-0]

The Receive Collision Count (RCVCC) is a read only 8-bit counter, incremented when the receiver detects a collision on the network. Note that the RCVCC value returned in the Receive Frame Status (RFS3) will freeze at a value of 255, whereas this register based version of RCVCC is free running. The value will roll over after 255 receive collisions have been detected, setting the RCVCCO bit (in the Interrupt Register and asserting the INTR pin if the corresponding mask bit (RCVCCOM in the Interrupt Mask Register) is cleared. RCVCC will be reset to zero when read.

User Test Register (UTR) (REG ADDR 29)

The User Test Register is used to put the chip into test configurations. All bits within the Test Register are cleared upon a hardware or software reset. Bit assignments are as follows:

RTRE	RTRD	RPA	FCOLL	RCVFCSE	LOOP [1-0]	FD_TEST
------	------	-----	-------	---------	------------	---------

Bit	Name	Description
Bit 7	RTRE	Reserved Test Register Enable. Access to the Reserved Test Registers should not be attempted by the user. Note that access to the Reserved Test Register may cause damage to the MACE device if configured in a system board application. Access to the Reserved Test Register is prevented, regardless of the state of RTRE, once RTRD has been set. RTRE is cleared by activation of the RESET pin or SWRST bit.
Bit 6	RTRD	Reserved Test Register Disable. When set, access to the Reserved Test Registers is inhibited, and further writes to the RTRD bit are ignored. Access to the Reserved Test Register is prevented, regardless of the state of RTRE, once RTRD has been set. RTRD can only be cleared by hardware or software reset.
Bit 5	RPA	Runt Packet Accept. Allows receive packets which are less than the legal minimum as specified by IEEE 802.3/Ethernet, to be passed to the host interface via the Receive FIFO. The receive packets must be at least 8 bytes (after SFD) in length to be accepted. RPA is cleared by activation of the RESET pin or SWRST bit.
Bit 4	FCOLL	Force Collision. Allows the collision logic to be tested. The MACE device should be in an internal loopback test for the FCOLL test. When FCOLL = 1, a collision will be forced during the next transmission attempt. This will result in 16 total transmission attempts (if DRTRY = 0) with the Retry Error reported in the Transmit Frame Status register. FCOLL is cleared by the activation of the RESET pin or SWRST bit.
Bit 3	RCVFCSE	Receive FCS Enable. Allows the hardware associated with the FCS generation to be allocated to the transmitter or receiver during loopback diagnostics. When clear, the FCS will be generated and appended to the transmit message (providing that DXMT-FCS in the Transmit Frame Con-

trol is clear), and received after the loopback process through the Receive FIFO. When set, the hardware associated with the FCS generation is allocated to the receiver. A transmit packet will be assumed to contain the FCS in the last four bytes of the frame passed through the Transmit FIFO. The received frame will have the FCS calculated on the data field and compared with the last four bytes contained in the received message. An FCS error will be flagged in the Received Status (RFS1) if the received and calculated values do not match. RCVFCSE is only valid when in any one of the loopback modes as defined by LOOP [0-1]. Note that if the receive frame is expected to be recognized on the basis of a multicast address match, the FCS logic must be allocated to the receiver (RCVFCSE = 1). RCVFCSE is cleared by activation of the RESET pin or SWRST bit.

Bit 2-1 LOOP [1-0] Loopback Control. The loopback functions allow the MACE device to receive its own transmitted frames. Three levels of loopback are provided as shown in the following table. During loopback operation a multicast address can only be recognized if RCVFCSE = 1. LOOP [0-1] are cleared by activation of the RESET pin or SWRST bit

Loopback Functions

Loop [1-0]	Function
00	No Loopback
01	External Loopback
10	Internal Loopback, excludes MENDEC
11	Internal Loopback, includes MENDEC

External loopback allow the MACE device to transmit to the physical medium, using either the AUI, 10BASE-T, DAI or GPSI port, dependent on the PORTSEL [1-0] bits in the PLS Configuration Control register. Using the internal loopback test will ensure that transmission

		does not disturb the physical medium and will prohibit frame reception from the network. One Internal loopback function includes the MENDEC in the loop.	To activate Full Duplex Test mode, program the MACE device into external loopback mode (EXLOOP=1, INLOOP=0) and set FD_TEST=1. The code sequence would be as follows:
Bit 0	FD_TEST	Full Duplex Test. When set, will allow the MACE device to transmit back to back packets with 9.6 μ s IPG regardless of receive activities. The setting of this bit should also be in conjunction with the setting of Bit 0 of the Transmit Frame Control (XMTFC) (REG ADDR 2). The setting of Bit 0 of the XMTFC register will cause disabling of transmit FCS.	<p>write 2 08 ;register XMTFC, transmit FCS disable</p> <p>write 29 0b ;register UTR, receive FCS enable external loop enable, full duplex enable</p> <p>Reserved Test Register 1 (RTR1) (REG ADDR 30) Reserved for AMD internal use only.</p> <p>Reserved Test Register 2 (RTR2) (REG ADDR 31) Reserved for AMD internal use only.</p>

Register Table Summary

Address	Mnemonic	Contents	Comments
0	RCVFIFO	Receive FIFO [15–00]	Read only
1	XMTFIFO	Transmit FIFO [15–00]	Write only
2	XMTFC	Transmit Frame Control	Read/Write
3	XMTFS	Transmit Frame Status	Read only
4	XMTRC	Transmit Retry Count	Read only
5	RCVFC	Receive Frame Control	Read/Write
6	RCVFS	Receive Frame Status (4-bytes)	Read only
7	FIFOFC	FIFO Frame Count	Read only
8	IR	Interrupt Register	Read only
9	IMR	Interrupt Mask Register	Read/Write
10	PR	Poll Register	Read only
11	BIUCC	BIU Configuration Control	Read/Write
12	FIFOCC	FIFO Configuration Control	Read/Write
13	MACCC	MAC Configuration Control	Read/Write
14	PLSCC	PLS Configuration Control	Read/Write
15	PHYCC	PHY Configuration Control	Read/Write
16	CHIPID	Chip Identification Register [07–00]	Read only
17	CHIPID	Chip Identification Register [15–08]	Read only
18	IAC	Internal Address Configuration	Read/Write
19		Reserved	Read/Write as 0
20	LADRF	Logical Address Filter (8-bytes)	Read/Write
21	PADR	Physical Address (6-bytes)	Read/Write
22		Reserved	Read/Write as 0
23		Reserved	Read/Write as 0
24	MPC	Missed Packet Count	Read only
25		Reserved	Read/Write as 0
26	RNTPC	Runt Packet Count	Read only
27	RCVCC	Receive Collision Count	Read only
28		Reserved	Read/Write as 0
29	UTR	User Test Register	Read/Write
30	RTR1	Reserved Test Register 1	Read/Write as 0
31	RTR2	Reserved Test Register 2	Read/Write as 0

Register Bit Summary

16-Bit Registers

0	RCVFIFO [15–0]
1	XMTFIFO [15–0]

8-Bit Registers

Address	Mnemonic							
2	DRTRY	RES	RES	RES	DXMTFCS	RES	RES	APADXMT
3	XMTSV	UFLO	LCOL	MORE	ONE	DEFER	LCAR	
4	EXDEF	RES	RES	RES	XMTRC [3–0]			
5	RES	RES	RES	RES	LLRCV	M/R	RES	ASTRPRCV
6	RCVFS [31–00]							
7	RCVFC [3–0]				XMTFC [3–0]			
8	JAB	BABL	CERR	RCVCCO	RNTPCO	MPCO	RCVINT	XMTINT
9	JABM	BABLM	CERRM	RCVCCOM	RNTPCOM	MPCOM	RCVINTM	XMTINTM
10	XMTSV	TDREQ	RDREQ	RES	RES	RES	RES	RES
11	RES	BSWP	XMTSP [1–0]		RES	RES	RES	SWRST
12	XMTFW [1–0]		RCVFW [1–0]		XMTFWU	RCVFWU	XMTBRST	RCVBRST
13	PROM	DXMT2PD	EMBA	RES	DRCVPA	DRCVBC	ENXMT	ENRCV
14	RES	RES	RES	RES	XMTSEL	PORTSEL [1–0]		ENPLSIO
15	LNKFL	DLNKTST	REVPOL	DAPC	LRT	ASEL	RWAKE	AWAKE
16	CHIPID [07–00]							
17	CHIPID [15–08]							
18	ADDRCHG	RES	RES	RES	RES	PHYADDR	LOGADDR	RES
19	RESERVED							
20	LADRF [63–00]							
21	PADR [47–00]							
22	RESERVED							
23	RESERVED							
24	MPC [7–0]							
25	RESERVED							
26	RNTPC [7–0]							
27	RCVCC [7–0]							
28	RESERVED							
29	RTRE	RTRD	RPA	FCOLL	RCVFCSE	LOOP [1–0]		RES
30	RESERVED							
31	RESERVED							

Receive Frame Status

Address	Mnemonic				
RFS0	RCVCNT [7:0]				
RFS1	OFLO	CLSN	FRAM	FCS	RCVCNT [10:8]
RFS2	RNTPC [7–0]				
RFS3	RCVCC [7–0]				

Programmer's Register Model

Addr	Mnemonic	Contents	R/W
0	RCVFIFO	Receive FIFO—16 bits	RO
1	XMTFIFO	Transmit FIFO—16 bits	WO
2	XMTFC	Transmit Frame Control 80 DRTRY Disable Retry 08 DXMTFC Disable Transmit FCS 01 APADXMT Auto Pad Transmit	R/W
3	XMTFS	Transmit Frame Status 80 XMTSV Transmit Status Valid 40 UFLO Underflow 20 LCOL Late Collision 10 MORE MORE than one retry was needed 08 ONE Exactly ONE retry occurred 04 DEFER Transmission was deferred 02 LCAR Loss of Carrier 01 RTRY Transmit aborted after 16 attempts	R/W
4	XMTRC	80 EXDEF Excessive Defer 40 – 20 – 10 – 0F XMTRC [3:0] 4-bit Transmit Retry Count	RO
5	RCVFC	Receive Frame Control 08 LLRCV Low Latency Receive 04 M/R Match/Reject for external address detection 01 ASTRPCV Auto Strip Receive—Strips pad and FCS from received frames	R/W
6	RCVFS	Receive Frame Status—4 bytes—read in 4 read cycles RFS0 RCVCNT [7:0] Receive Message Byte Count RFS1 RCVSTS, RCVCNT [11:8]—Receive Status & Receive Msg Byte Count MSBs 80 OFLO Receive FIFO Overflow 40 CLSN Collision during reception 20 FRAM Framing Error 10 FCS FCS (CRC) error 0F RCVCNT [11:8] 4 MSBs of Receive Msg. Byte Count RFS2 RNTPC [7:0] Runt Packet Count (since last successful reception) RFS3 RCVCC [7:0] Receive Collision Count (since last successful reception)	RO
7	FIFOFC	FIFO Frame Count F0 RCVFC Receive Frame Count—# of RCV frames in FIFO 0F XMTFC Transmit Frame Count—# of XMT frames in FIFO	RO

Addr	Mnemonic	Contents	R/W
8	IR	Interrupt Register 80 JAB Jabber Error–Excessive transmit during (20–150ms) 40 BABL Babble Error→ 1518 bytes transmitted 20 CERR Collision Error–No SQE Test Message 10 RCVCCO Receive Collision Count Overflow–Red Add 27 overflow 08 RNTPCO Runt Packet Count Overflow–Reg Addr 26 overflow 04 MPCO Missed Packet Count Overflow–Reg Addr 24 overflow 02 RCVINT Receive Interrupt–Host has read last byte of packet 01 XMTINT Transmit Interrupt–Transmission is complete	RO
9	IMR	Interrupt Mask Register 80 JABM Jabber Error Mask 40 BABLM Babble Error Mask 20 CERRM Collision Error Mask 10 RCVCCOM Receive Collision Count Overflow Mask 08 RNTPCOM Runt Packet Count Overflow Mask 04 MPCOM Missed Packet Count Overflow Mask 02 RCVINTM Receive Interrupt Mask 01 XMTINTM Transmit Interrupt Mask	R/W
10	PR	Poll Register 80 XMTSV Transmit Status Valid 40 TDTREQ Transmit Data Transfer Request 20 RDTREQ Receive Data Transfer Request	RO
11	BIUCC	Bus Interface Unit Configuration Control 80 – 40 BSWP Byte Swap 30 XMTSP–Transmit Start Point (2 bits) 00 Transmit after 4 bytes have been loaded 01 Transmit after 16 bytes have been loaded 10 Transmit after 64 bytes have been loaded 11 Transmit after 112 bytes have been loaded 01 SWRST Software Reset	R/W

Programmer's Register Model (continued)

Addr	Mnemonic	Contents	R/W
12	FIFOCC	FIFO Configuration Control C0 XMTFW Transmit FIFO Watermark (2 bits) 00 Assert TDTREQ after 8 write cycles can be made 01 Assert TDTREQ after 16 write cycles can be made 10 Assert TDTREQ after 32 write cycles can be made 11 XX 30 RCVFW Receive FIFO Watermark (2 bits) 00 Assert RDTREQ after 16 bytes are present 01 Assert RDTREQ after 32 bytes are present 10 Assert RDTREQ after 64 bytes are present 11 XX 08 XMTFWU Transmit FIFO Watermark Update—loads XMTFW bits 04 RCVFWU Receive FIFO Watermark Update—loads RCVFW bits 02 XMBRST Select Transmit Burst mode 01 RCVBRST Select Receive Burst mode	R/W
13	MACCC	Media Access Control (MAC) Configuration Control 80 PROM Promiscuous mode 40 DXMT2PD Disable Transmit Two Part Deferral 20 EMBA Enable Modified Back-off Algorithm 10 – 08 DRCVPA Disable Receive Physical Address 04 DRCVBC Disable Receive Broadcast 02 ENXMT Enable Transmit 01 ENRCV Enable Receive	R/W
14	PLSCC	Physical Layer Signalling (PLS) Configuration Control 08 XMTSEL Transmit Mode Select: 1→ DO±=1 during IDLE 06 PORTSEL [1:0]—Port Select (2 bits) 00 AUI selected 01 10BASE-T selected 10 DAI port selected 11 GPSI selected 01 ENPLSIO Enable Status	R/W

Programmer's Register Model (continued)

Addr	Mnemonic	Contents	R/W
15	PHYCC	Physical Layer (PHY) Configuration Control 80 LNKFL Link Fail—Reports 10BASE-T receive inactivity 40 DLNKTST Disable Link Test—Force 10BASE-T port into Link Pass 20 REVPOL Reversed Polarity—Reports 10BASE-T receiver wiring error 10 DAPC Disable Auto Polarity Correction—Detection remains active 08 LRT Low Receive Threshold—Extended distance capability 04 ASEL Auto Select—Select 10BASE-T port when active, otherwise AUI 02 RWAKE Remote Wake—10BASE-T, AUI and EADI features active during sleep 01 AWAKE Auto Wake—10BASE-T receive and $\overline{\text{LNKST}}$ active during sleep	R/W
16	CHIPID	Chip Identification Register LSB—CHIPID [7:0]	RO
17	CHIPID	Chip Identification Register MSB—CHIPID [15:8]	RO
18	IAC	Internal Address Configuration 80 ADDRCHG Address Change—Write to PHYADDR or LOGADDR after ENRCV 40 — 20 — 10 — 08 — 04 — 04 PHYADDR Reset Physical Address pointer 02 LOGADDR Reset Logical Address pointer 01 —	R/W
19	—	Reserved	R/W as 0
20	LADRF	Logical Address Filter—8 bytes—8 reads or writes—LS Byte first	R/W as 0
21	PADR	Physical 6 bytes—6 reads or writes—LS Byte first	R/W as 0
22	—	Reserved	R/W as 0
23	—	Reserved	R/W as 0
24	MPC	Missed Packet Counter—Number of receive packets missed	R/W as 0
25	—	Reserved	R/W as 0
26	RNTPC	Runt Packet Count—Number of runt packets addressed to this node	R/W as 0
27	RCVCC	Receive Collision Count—Number of receive collision frames on network	R/W as 0
28	—	Reserved	R/W as 0

Missing Table Title?

Addr	Mnemonic	Contents	R/W			
29	UTR	User Test Register	R/W			
		80 RTRE		Reserved Test Register Enable—must be 0		
		40 RTRD		Reserved Test Register Disable		
		20 RPA		Runt Packet Accept		
		10 FCOLL		Force Collision		
		08 RCVFCSE		Receive FCS Enable		
		06		LOOP	Loopback control (2 bits)	
					00	No loopback
					01	External loopback
					10	Internal loopback, excludes MENDEC
		11	Internal loopback, includes MENDEC			
		01	—			
30	—	Reserved	R/W as 0			
31	—	Reserved	R/W as 0			

SYSTEM APPLICATIONS

Host System Examples

Motherboard DMA Controller

The block diagram shows the MACE device interfacing to a 8237 type DMA controller. Two external latches are used to provide a 24 bit address capability. The first latch stores the address bits A [15:8], which the 8237 will output on the data line DB [7:0], while the signal ADSTB is active. The second latch is used as a page register. It extends the addressing capability of the 8237 from 16-bit to 24-bit. This latch must be programmed by the system using an I/O command to generate the signal LATCHHIGHADR.

The MACE device uses two of the four DMA channels. One is dedicated to fill the Transmit FIFO and the other to empty the Receive FIFO. Both DMA channels should be programmed in the following mode:

- Command Register:
 - Memory to memory disabled
 - DREQ sense active high
 - DACK sense active low
 - Normal timing
 - Late Write

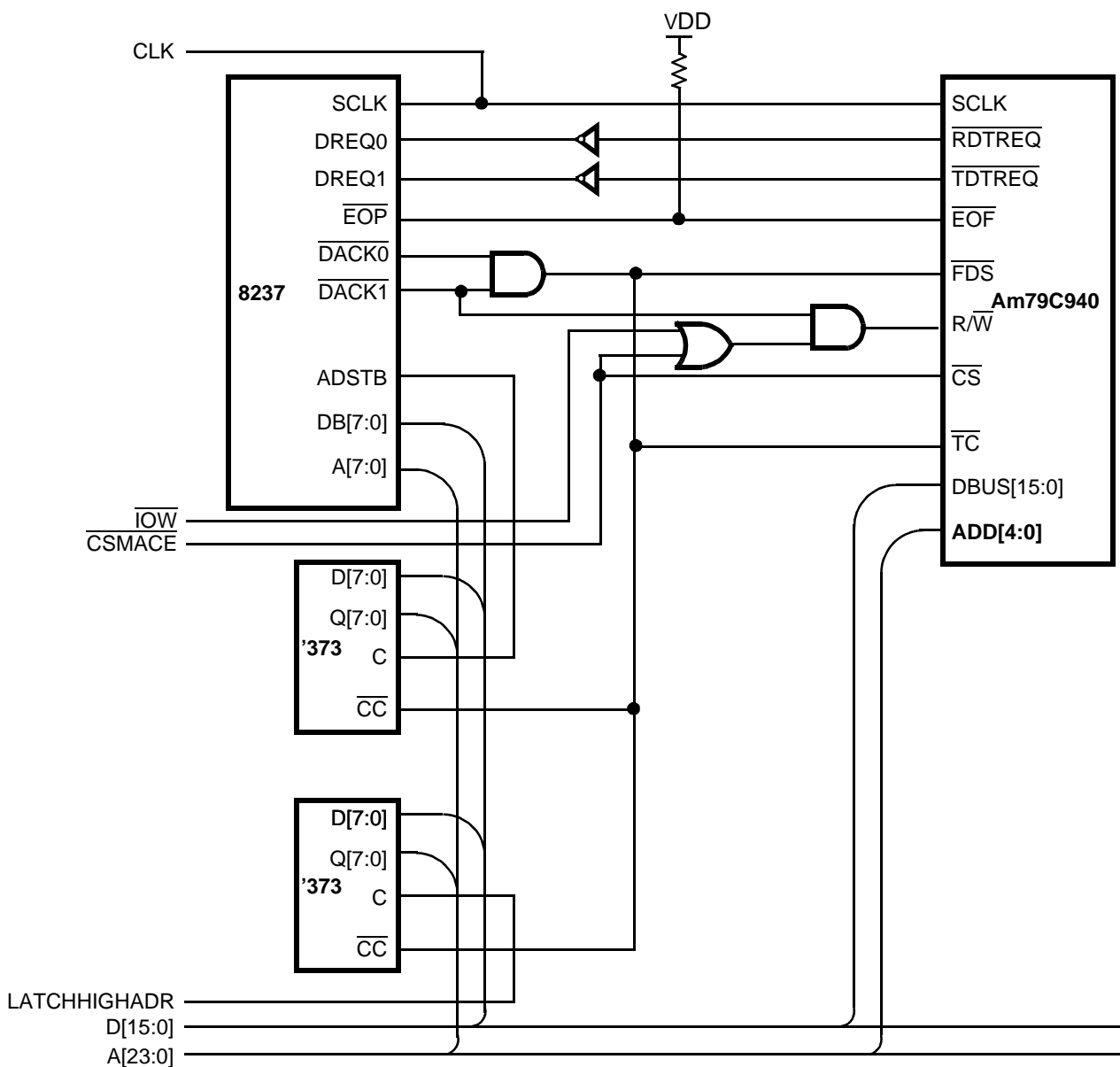
Note:

This is the same configuration as used in the IBM PC.

The 8237 and the MACE device run synchronous to the same SCLK. The 8237 is programmed to execute a transfer in three clock cycles. This requires an extra wait state in the MACE device during FIFO accesses. A system not using the same configuration as in the IBM PC can minimize the bus bandwidth required by the MACE device by programming the DMA controller in the compressed timing mode.

Care must be taken with respect to the number of transfers within a burst. The 8237 will drive the signal EOP low every time the internal counter reaches the zero. The MACE device however only expects EOF asserted on the last byte/word of a packet. This means, that the word counter of the 8237 should be initially loaded with the number of bytes/words in the whole packet. If the application requires that the packet will be constructed from several buffers at transmit time, some extra logic is required to suppress the assertion of EOF at the end of all but the last buffer transferred by the DMA controller. Also note that the DMA controller can only handle either bytes or words at any time. It requires special handling if a packet is transferred to the MACE device Transmit FIFO in word quantities and it ends in an odd byte.

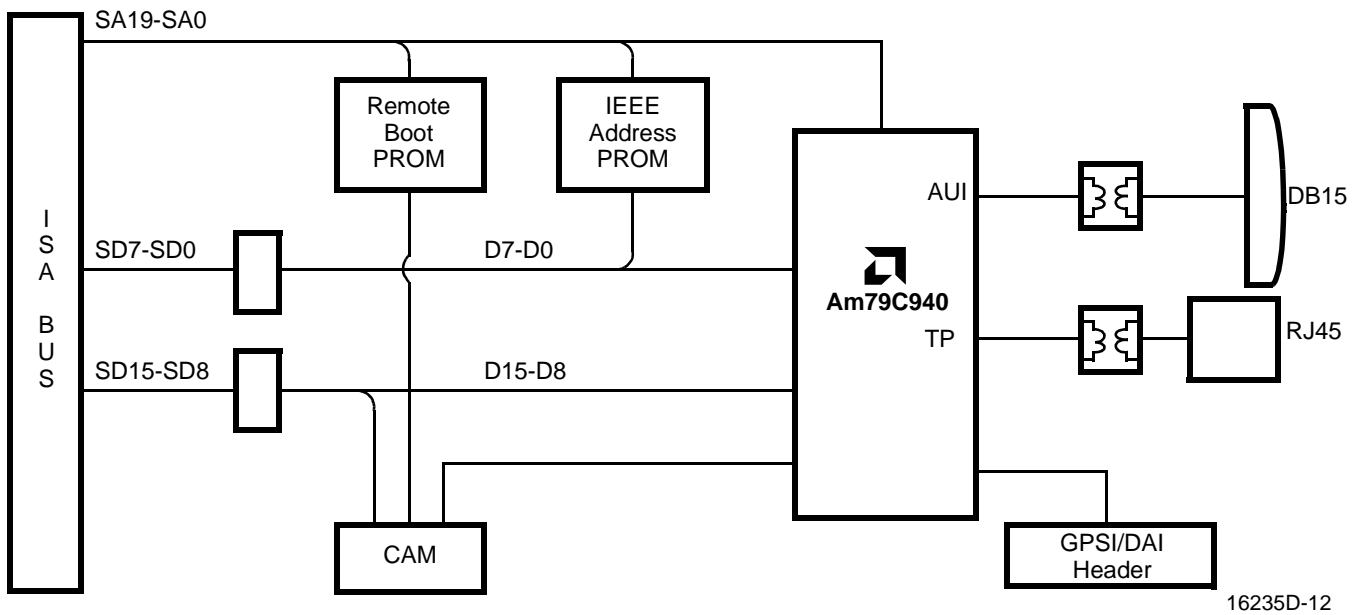
The 8237 requires an extra clock cycle to update the external address latch every 256 transfer cycles. This example assumes that an update of the external address latch occurs only at the beginning of the block transfer.



16235D-11

System Interface - Motherboard DMA Example

PC/AT Ethernet Adapter Card



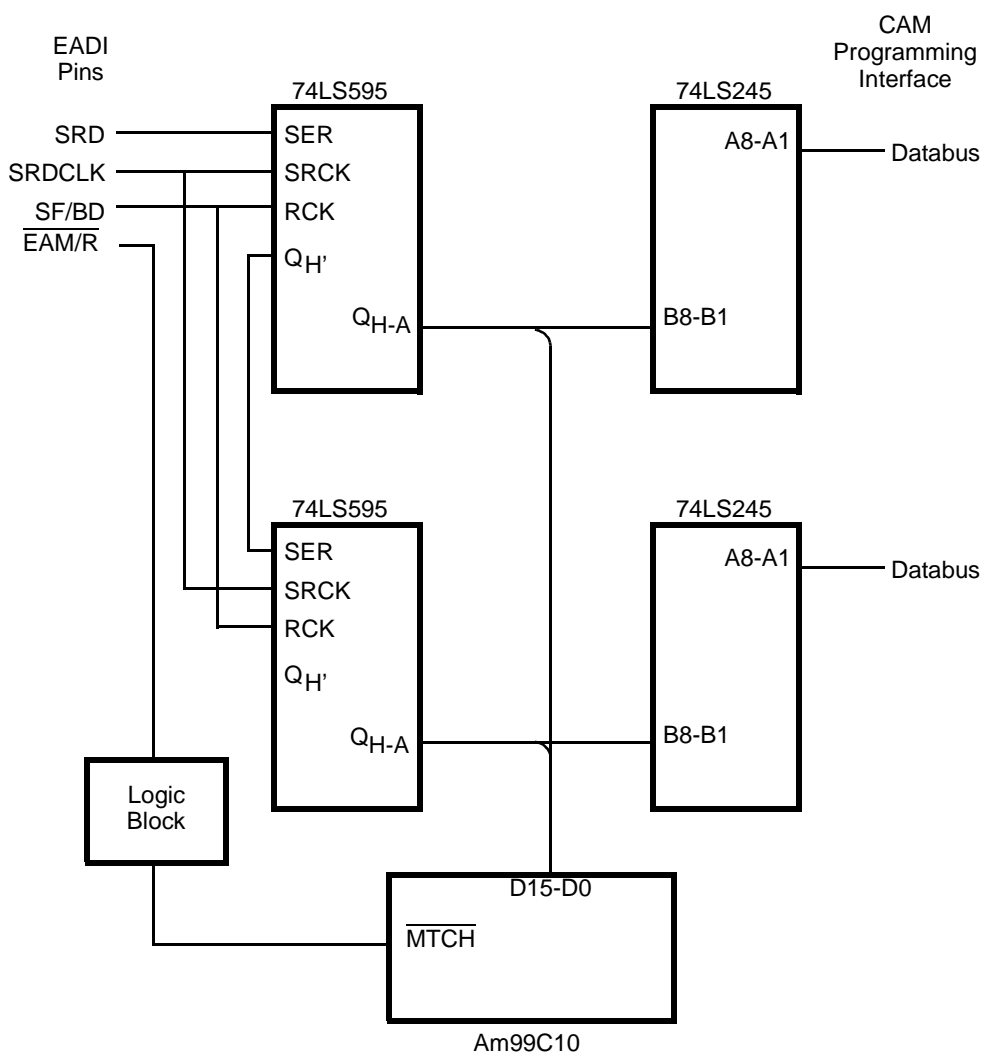
System Interface - Simple PC/AT Ethernet Adapter Card Example

NETWORK INTERFACES

External Address Detection Interface (EADI)

The External Address Detection Interface can be used to implement alternative address recognition schemes outside the MACE device, to complement the physical, logical and promiscuous detection supported internally.

The address matching, and the support logic necessary to capture and present the relevant data to the external table of address is application specific. Note that since the entire 802.3 packet after SFD is made available, recognition is not limited to the destination address and/or type fields (Ethernet only). Inter-networking protocol recognition can be performed on specific header or LLC information fields.



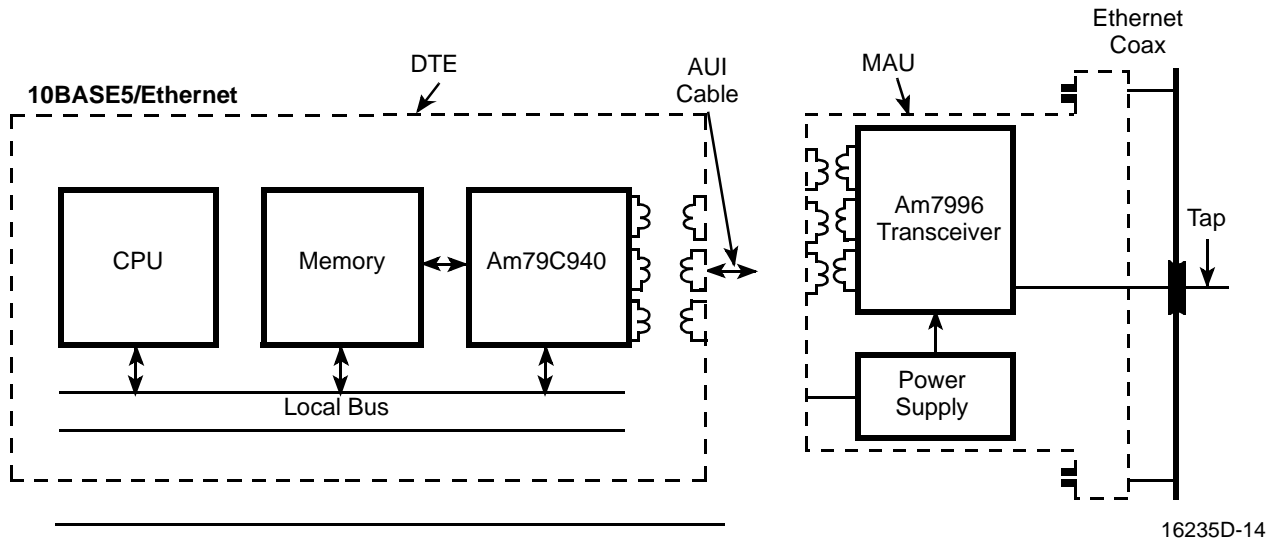
16235D-13

EADI Feature - Simple External CAM Interface

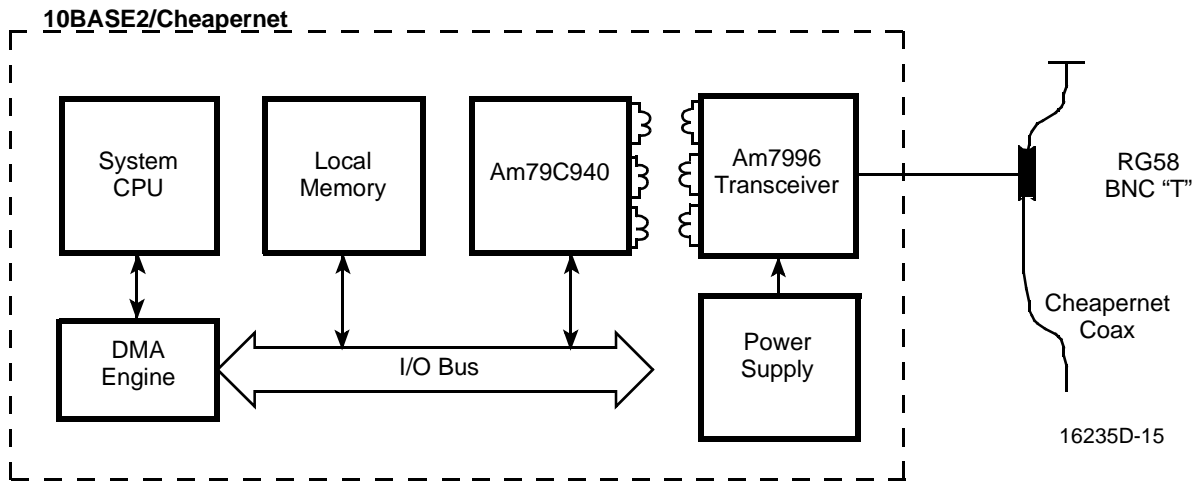
Attachment Unit Interface (AUI)

The AUI can drive up to 50 m of standard drop cable to allow the transceiver to be remotely located, as is typically the case in IEEE 803.3 10BASE5 or thick Ethernet® installations. For a locally mounted transceiver, such as 802.3 10BASE2 or Cheapernet interface, the isolation transformer requirements between the transceiver and the MACE device can be reduced.

When used with the Am79C98 TPEX™ (Twisted Pair Ethernet Transceiver), the isolation requirements of the AUI are completely removed providing that the transceiver is mounted locally. For remote location of the TPEX via an AUI drop cable, the isolation requirement is necessary to meet IEEE 802.3 specifications for fault tolerance and recovery.

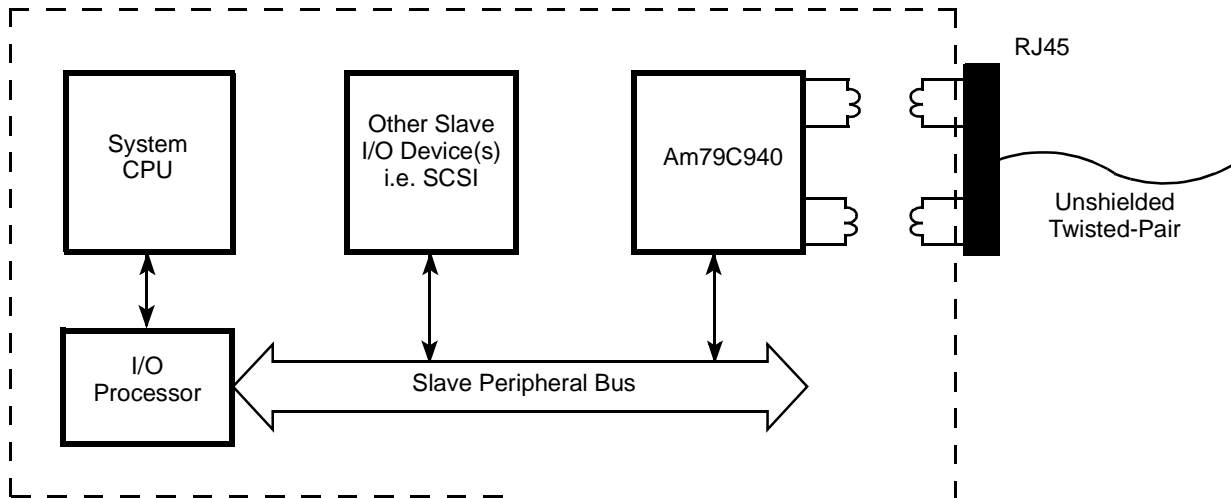


AUI-10BASE5/Ethernet Example



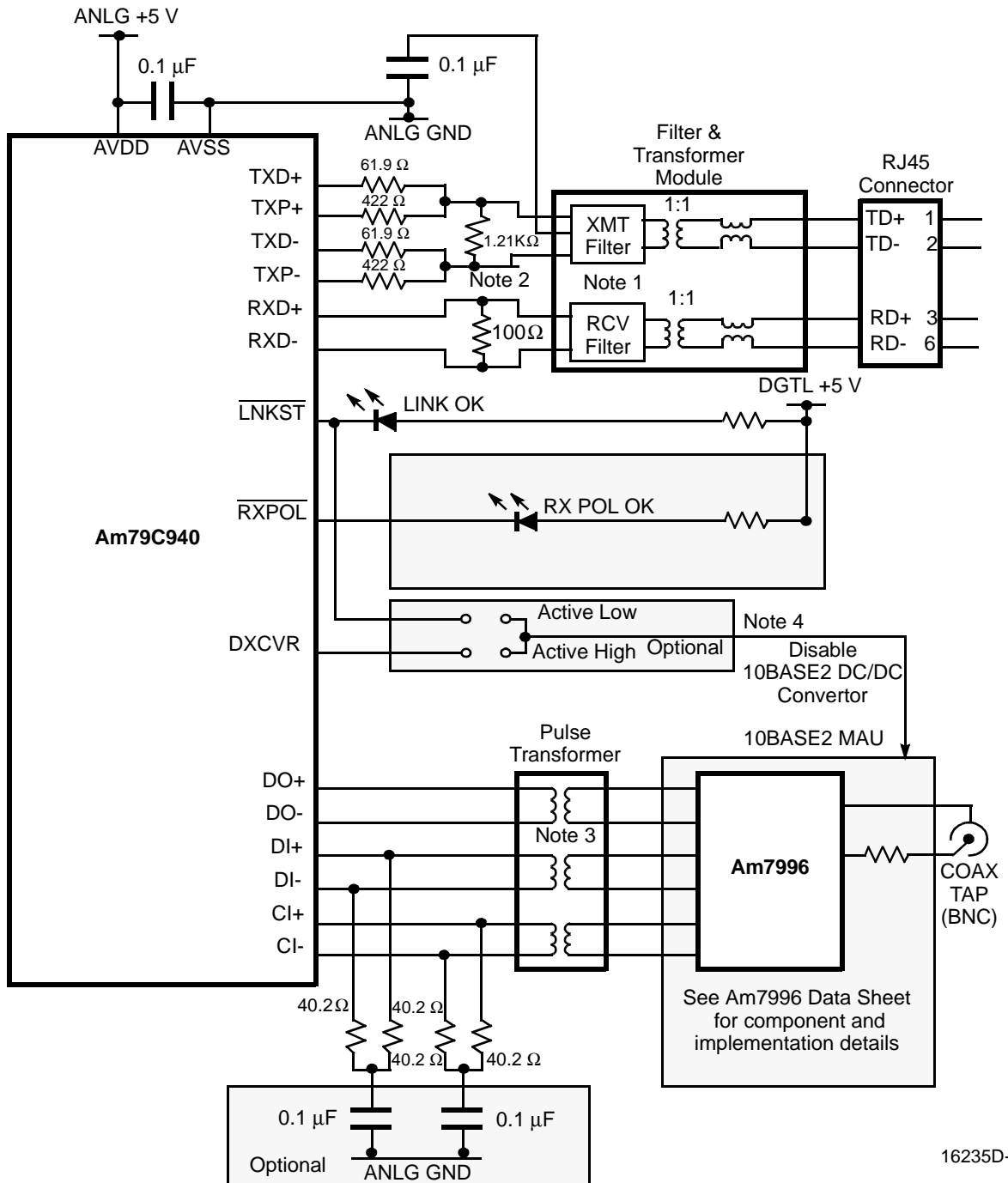
AUI-10BASE2/Cheapernet Example

10BASE-T/Twisted-Pair Ethernet



10BASE-T/Unshielded Twisted-Pair Interface

16235D-16

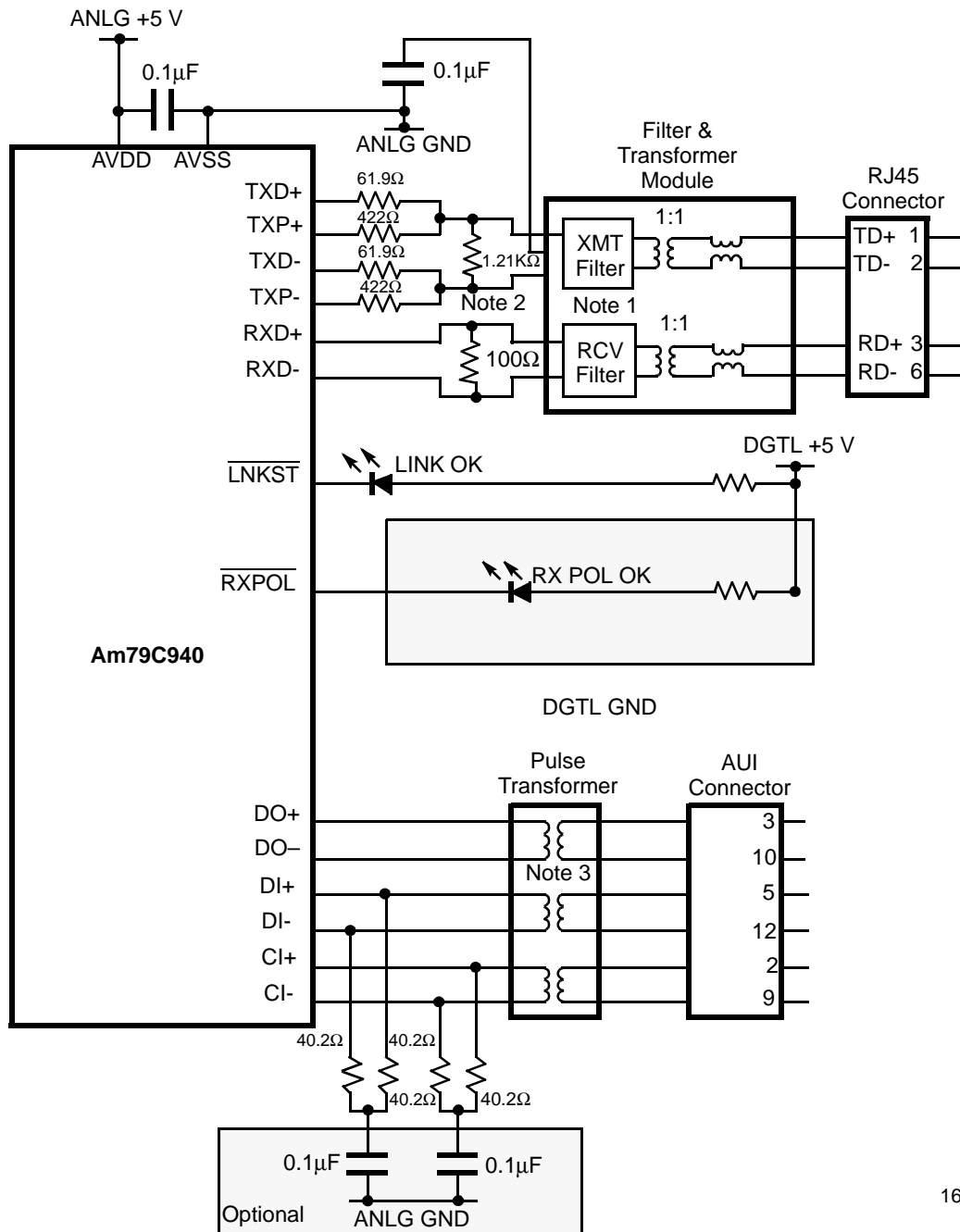


16235D-17

Notes:

1. Compatible filter modules, with a brief description of package type and features are included in the following section.
2. The resistor values are recommended for general purpose use and should allow compliance to the 10BASE-T specification for template fit and jitter performance. However, the overall performance of the transmitter is also affected by the transmit filter configuration. All resistors are $\pm 1\%$.
3. Compatible AUI transformer modules, with a brief description of package type and features are included in the following section.
4. Active High indicates the external converter should be turned off. The Disable Transceiver (DXCVR) output is used to indicate the active network port. A high level indicates the 10BASE-T port is selected and the AUI port is disabled. A low level indicates the AUI port is selected and the Twisted Pair interface is disabled.
Active Low: indicates the external converter should be turned off. The LNKST output can be used to indicate the active network port. A high level indicates the 10BASE-T port is in the Link Fail state, and the external converter should be on. A low level indicates the 10BASE-T port is in the Link Pass state, and the external converter should be off.

10BASE-T and 10BASE2 Configuration of Am79C940



16235D-18

Notes:

1. Compatible filter modules, with a brief description of package type and features are included in the following section.
2. The resistor values are recommended for general purpose use and should allow compliance to the 10BASE-T specification for template fit and jitter performance. However, the overall performance of the transmitter is also affected by the transmit filter configuration. All resistors are $\pm 1\%$.
3. Compatible AUI transformer modules, with a brief description of package type and features are included in the following section.

10BASE-T and AUI Implementation of Am79C940

MACE Compatible 10BASE-T Filters and Transformers

The table below provides a sample list of MACE compatible 10BASE-T filter and transformer modules available from various vendors. Contact the respective manufacturer for a complete and updated listing of components.

Manufacturer	Part #	Package	Filters and Transformers	Filters Transformers and Choke	Filters Transformers Dual Chokes	Filters Transformers Resistors Dual Chokes
Bel Fuse	A556-2006-DE	16-pin 0.3 DIL	✓			
Bel Fuse	0556-2006-00	14-pin SIP	✓			
Bel Fuse	0556-2006-01	14-pin SIP			✓	
Bel Fuse	0556-6392-00	16-pin 0.5 DIL			✓	
Halo Electronics	FD02-101G	16-pin 0.3 DIL	✓			
Halo Electronics	FD12-101G	16-pin 0.3 DIL		✓		
Halo Electronics	FD22-101G	16-pin 0.3 DIL			✓	
PCA Electronics	EPA1990A	16-pin 0.3 DIL	✓			
PCA Electronics	EPA2013D	16-pin 0.3 DIL		✓		
PCA Electronics	EPA2162	16-pin 0.3 SIP			✓	
Pulse Engineering	PE-65421	16-pin 0.3 DIL	✓			
Pulse Engineering	PE-65434	16-pin 0.3 SIL			✓	
Pulse Engineering	PE-65445	16-pin 0.3 DIL			✓	
Pulse Engineering	PE-65467	12-pin 0.5 SMT				✓
Valor Electronics	PT3877	16-pin 0.3 DIL	✓			
Valor Electronics	FL1043	16-pin 0.3 DIL			✓	

MACE Compatible AUI Isolation Transformers

The table below provides a sample list of MACE compatible AUI isolation transformers available from vendors. Contact the respective manufacturer for a complete and updated listing of components

Manufacturer	Part #	Package	Description
Bel Fuse	A553-0506-AB	16-pin 0.3 DIL	50 μ H
Bel Fuse	S553-0756-AE	16-pin 0.3 SMD	75 μ H
Halo Electronics	TD01-0756K	16-pin 0.3 DIL	75 μ H
Halo Electronics	TG01-0756W	16-pin 0.3 SMD	75 μ H
PCA Electronics	EP9531-4	16-pin 0.3 DIL	50 μ H
Pulse Engineering	PE64106	16-pin 0.3 DIL	50 μ H
Pulse Engineering	PE65723	16-pin 0.3 SMT	75 μ H
Valor Electronics	LT6032	16-pin 0.3 DIL	75 μ H
Valor Electronics	ST7032	16-pin 0.3 SMD	75 μ H

MACE Compatible DC/DC Converters

The table below provides a sample list of MACE compatible DC/DC converters available from various vendors. Contact the respective manufacturer for a complete and updated listing of components.

Manufacturer	Part #	Package	Voltage	Remote On/Off
Halo Electronics	DCU0-0509D	24-pin DIP	5/-9	No
Halo Electronics	DCU0-0509E	24-pin DIP	5/-9	Yes
PCA Electronics	EPC1007P	24-pin DIP	5/-9	No
PCA Electronics	EPC1054P	24-pin DIP	5/-9	Yes
PCA Electronics	EPC1078	24-pin DIP	5/-9	Yes
Valor Electronics	PM7202	24-pin DIP	5/-9	No
Valor Electronics	PM7222	24-pin DIP	5/-9	Yes

MANUFACTURER CONTACT INFORMATION

Contact the following companies for further information on their products.

Company	US. and Domestic	Asia	Europe
Bel Fuse	Phone: (201) 432-0463	852-328-5515	33-1-69410402
	FAX: (201) 432-9542	852-352-3706	33-1-69413320
Halo Electronics	Phone: (415) 969-7313	65-285-1566	
	FAX: (415) 367-7158	65-284-9466	
PCA Electronics (HPC in Hong Kong)	Phone: (818) 892-0761	852-553-0165	33-1-44894800
	FAX: (818) 894-5791	852-873-1550	33-1-42051579
Pulse Engineering	Phone: (619) 674-8100	852-425-1651	353-093-24107
	FAX: (619) 675-8262	852-480-5974	353-093-24459
Valor Electronics	Phone: (619) 537-2500	852-513-8210	49-89-6923122
	FAX: (619) 537-2525	852-513-8214	49-89-6926542

ABSOLUTE MAXIMUM RATINGS

Storage Temperature -65°C to +150°C
 Ambient Temperature
 Under Bias 0°C to +70°C
 Supply Voltage to AVSS
 or DVSS (AVDD, DVDD) -0.3 V to +6.0 V

Stresses above those listed under Absolute Maximum Ratings may cause permanent device failure. Functionality at or above these limits is not implied. Exposure to Absolute Maximum Ratings for extended periods may affect device reliability. Programming conditions may differ.

OPERATING RANGES

Commercial (C) Devices

Ambient Temperature (T_A) 0°C to +70°C

Industrial (I) Devices

Ambient Temperature (T_A) -40°C to +85°C

V_{CC} Supply Voltages

. (AVDD, DVDD) 5 V ±5%

All inputs within the range: . . AVDD – 0.5 V ≤ V_{in} ≤
 AVSS + 0.5 V, or
 DV_{DD} – 0.5 V ≤ V_{in} ≤
 DV_{SS} + 0.5 V

Operating ranges define those limits between which the functionality of the device is guaranteed.

DC CHARACTERISTICS (Unless otherwise noted, parametric values are the same between Commercial devices and Industrial devices.)

Parameter Symbol	Parameter Description	Test Conditions	Min	Max	Unit
V _{IL}	Input LOW Voltage			0.8	V
V _{IH}	Input HIGH Voltage		2.0		V
V _{ILX}	XTAL1 Input LOW Voltage (External Clock Signal)	V _{SS} = 0.0 V	-0.5	0.8	V
V _{IHX}	XTAL1 Input HIGH Voltage (External Clock Signal)	V _{SS} = 0.0 V	V _{DD-} 0.8	V _{DD+} 0.5	V
V _{OL}	Output LOW Voltage	I _{OL} = 3.2 mA		0.45	V
V _{OH}	Output HIGH Voltage	I _{OH} = -0.4 mA (Note 1)	2.4		V
I _{IL1}	Input Leakage Current	V _{DD} = 5 V, V _{IN} = 0 V (Note 2)	-10	10	μA
I _{IL2}	Input Leakage Current	V _{DD} = 5 V, V _{IN} = 0 V (Note 2)	-200	200	μA
I _{IH}	Input Leakage Current	V _{DD} = 5 V, V _{IN} = 2.7 V (Note 3)		-100	μA
I _{IAXD}	Input Current at DI+ and DI-	-1 V < V _{IN} < AV _{DD} + 0.5 V	-500	+500	μA
I _{IAXC}	Input Current at CI+ and CI-	-1 V < V _{IN} < AV _{DD} + 0.5 V	-500	+500	μA
I _{ILXN}	XTAL1 Input LOW Current during normal operation	V _{IN} = 0 V SLEEP = HIGH		-92 (Note 9)	μA
I _{IHXN}	XTAL1 Input HIGH Current during normal operation	V _{IN} = 5.5 V SLEEP = HIGH		92 (Note 10)	μA
I _{ILXS}	XTAL1 Input LOW Current during Sleep	V _{IN} = 0 V SLEEP = LOW		<10	μA
I _{IHXS}	XTAL1 Input HIGH Current during Sleep	V _{IN} = 5.5 V SLEEP = LOW		410	μA
I _{OZ}	Output Leakage Current	0.4 V < V _{OUT} < V _{DD} (Note 4)	-10	10	μA
V _{AOD}	Differential Output Voltage (DO+)-(DO-)	R _L = 78 Ω	630	1200	mV
V _{AODOFF}	Transmit Differential Output Idle Voltage	R _L = 78 Ω (Note 5)	-40	+40	mV

DC CHARACTERISTICS (Continued)

Parameter Symbol	Parameter Description	Test Conditions	Min	Max	Unit
I_{AODOFF}	Transmit Differential Output Idle Current	$R_L = 78 \Omega$	-1	+1	mA
V_{AOCM}	DO \pm Common Mode Output Voltage	$R_L = 78 \Omega$	2.5	AVDD	V
V_{ODI}	DO \pm Differential Output Voltage Imbalance	$R_L = 78 \Omega$ (Note 6)	-25	25	mV
V_{ATH}	Receive Data Differential Input Threshold	$R_L = 78 \Omega$ (Note 6)	-35	35	mV
V_{ASQ}	DI \pm and CI \pm Differential Input Threshold Squelch	$R_L = 78 \Omega$ (Note 6)	-160	-275	mV
V_{IRDVD}	DI \pm and CI \pm Differential Mode Input Voltage Range			1.5	V
V_{ICM}	DI \pm and CI \pm Input Bias Voltage	$I_{IN} = 0$ mA	AVDD -3.0	AVDD -0.8	V
V_{OPD}	DI \pm Undershoot Voltage at Zero Differential on Transmit Return to Zero (ETD)	(Note 5)		-100	mV
I_{DD}	Power Supply Current	SCLK = 25 MHz XTAL1 = 20 MHz		75	mA
$I_{DDESLEEP}$	Power Supply Current	SLEEP Asserted, AWAKE = 0 RWAKE = 1 (Note 7)		100	μ A
$I_{DDESLEEP}$	Power Supply Current	SLEEP Asserted, AWAKE = 1 RWAKE = 0 (Note 7)		10	mA
$I_{DDESLEEP}$	Power Supply Current	SLEEP Asserted, AWAKE = 0 RWAKE = 1 (Note 7)		20	mA
Twisted Pair Interface					
I_{IRXD}	Input Current at RXD \pm	$AV_{SS} < V_{IN} < AV_{DD}$	-500	500	μ A
R_{RXD}	RXD \pm Differential Input Resistance	(Note 8)	10		K Ω
V_{TIVB}	RXD \pm , RXD- Open Circuit Input Voltage (Bias)	$I_{IN} = 0$ mA	AVDD -3.0	AVDD -1.5	V
V_{TIDV}	Differential Mode Input Voltage Range (RXD \pm)	AVDD = +5V	-3.1	+3.1	V
V_{TSQ+}	RXD Positive Squelch Threshold (Peak)	Sinusoid 5 MHz $\leq f \leq$ 10 MHz	300	520	mV
V_{TSQ-}	RXD Negative Squelch Threshold (Peak)	Sinusoid 5 MHz $\leq f \leq$ 10 MHz	-520	-300	mV
V_{THS+}	RXD Post-Squelch Positive Threshold (Peak)	Sinusoid 5 MHz $\leq f \leq$ 10 MHz	150	293	mV
V_{THS-}	RXD Post-Squelch Negative Threshold (Peak)	Sinusoid 5 MHz $\leq f \leq$ 10 MHz	-293	-150	mV
V_{LTSQ+}	RXD Positive Squelch Threshold (Peak)	$\overline{LRT} = \text{LOW}$	180	312	mV
V_{LTSQ-}	RXD Negative Squelch Threshold (Peak)	$\overline{LRT} = \text{LOW}$	-312	-180	mV
V_{LTHS+}	RXD Post-Squelch Positive Threshold (Peak)	$\overline{LRT} = \text{LOW}$	90	156	mV

DC CHARACTERISTICS (Continued)

Parameter Symbol	Parameter Description	Test Conditions	Min	Max	Unit
V_{LTHS-}	RXD Post-Squelch Negative Threshold (Peak)	$\overline{LRT} = \text{LOW}$	-156	-90	mV
V_{RXDTH}	RXD Switching Threshold	(Note 4)	-35	35	mV
V_{TXH}	TXD± and TXD± Output HIGH Voltage	$DV_{SS} = 0V$	$DV_{DD} - 0.6$	DV_{DD}	V
V_{TXL}	TXD± and TXD± Output LOW Voltage	$DV_{DD} = +5V$	DV_{SS}	$DV_{SS} + 0.6$	V
V_{TXI}	TXD± and TXD± Differential Output Voltage Imbalance		-40	+40	mV
V_{TXOFF}	TXD± and TXD± Idle Output Voltage	$DV_{DD} = +5V$		40	mV
R_{TX}	TXD± Differential Driver Output Impedance	(Note 8)		40	Ω
	TXD± Differential Driver Output Impedance	(Note 8)		80	Ω

Notes:

- V_{OH} does not apply to open-drain output pins.
- I_{IL1} and I_{IL2} applies to all input only pins except $D\pm$, $C\pm$, and XTAL1.
 $I_{IL1} = \overline{ADD4-0}, \overline{BE1-0}, \overline{CS}, \overline{EAM/R}, \overline{FDS}, \overline{RESET}, \overline{RXDAT}, \overline{R/W}, \overline{SCLK}$.
 $I_{IL2} = \overline{TC}, \overline{TDI}, \overline{TCK}, \overline{TMS}$.
- Specified for input only pins with internal pull-ups: $\overline{TC}, \overline{TDI}, \overline{TCK}, \overline{TMS}$.
- I_{OZ} applies to all three-state output pins and bi-directional pins.
- Test not implemented to data sheet specification.
- Tested, but to values in excess of limits. Test accuracy not sufficient to allow screening guard bands.
- During the activation of \overline{SLEEP} :
 - The following pins are placed in a high impedance state: $\overline{SRD}, \overline{SF/BD}, \overline{TXDAT}, \overline{DXCVR}, \overline{DTV}, \overline{TDTREQ}, \overline{RDTREQ}, \overline{NTR}$ and \overline{TDO} .
 - The following I/O pins are placed in a high impedance mode and have their internal TTL level translators disabled: $\overline{DBUS15-0}, \overline{E0F}, \overline{SRDCLK}, \overline{RXCRC}, \overline{RXDAT}, \overline{CLSN}, \overline{TXEN}, \overline{STDCLK}$ and $\overline{TXDAT+}$.
 - The following input pin has its internal pull-up and TTL level translator disabled: \overline{TC} .
 - The following input pins have their internal TTL level translators disabled and do not have internal pull-ups: $\overline{CS}, \overline{FDS}, \overline{R/W}, \overline{ADD4-0}, \overline{SCLK}, \overline{BE0}, \overline{BE1}$ and $\overline{EAM/R}$.
 - The following pins are pulled low: XTAL1 (XTAL2 feedback is cut off from XTAL1), $\overline{TXD+}, \overline{TXD-}, \overline{TXP+}, \overline{TXP-}, \overline{DO+}$ and \overline{DO} .
 - The following pins have their input voltage bias disabled: $\overline{DI+}, \overline{DI}, \overline{CI+}$ and \overline{CI} .
 - \overline{AWAKE} and \overline{RWAKE} are reset to zero. $I_{DSSLEEP}$, with either \overline{AWAKE} set or \overline{RWAKE} set, will be much higher and its value remains to be determined.
- Parameter not tested.
- For industrial temperature version, Max value is $-150 \mu A$.
- For industrial temperature version, Max value is $+150 \mu A$.

AC CHARACTERISTICS (Unless otherwise noted, parametric values are the same between Commercial devices and Industrial devices.)

No.	Parameter Symbol	Parameter Description	Test Conditions	Min (ns)	Max (ns)
Clock and Reset Timing					
1	t_{SCLK}	SCLK period		40	1000
2	t_{SCLKL}	SCLK LOW pulse width		$0.4*t_{SCLK}$	$0.6*t_{SCLK}$
3	t_{SCLKH}	SCLK HIGH pulse width		$0.4*t_{SCLK}$	$0.6*t_{SCLK}$
4	t_{SCLKR}	SCLK rise time			5
5	t_{SCLKF}	SCLK fall time			5
6	t_{RST}	RESET pulse width		$15*t_{SCLK}$	
7	t_{BT}	Network Bit Time (BT)= $2*t_{X1}$ or t_{STDC}		99	101
Internal MENDEC Clock Timing					
9	t_{X1}	XTAL1 period		49.995	50.005
11	t_{X1H}	XTAL1 HIGH pulse width		20	
12	t_{X1L}	XTAL1 LOW pulse width		20	
13	t_{X1R}	XTAL1 rise time			5
14	t_{X1F}	XTAL1 fall time			5
BIU TIMING (Note 1)					
31	t_{ADDS}	Address valid setup to SCLK↓		9	
32	t_{ADDH}	Address valid hold after SCLK↓		2	
1. 33	t_{SLVS}	CS or FDS and TC, BE1–0, R/W setup to SCLK↓		9	
34	t_{SLVH}	CS or FDS and TC, BE1–0, R/W hold after SCLK↓		2	
35	t_{DATD}	Data out valid delay from SCLK↓	$C_L = 100$ pF (Note 2)		32
36	t_{DATH}	Data out valid hold from SCLK↓		6	
37	t_{DTVd}	DTV valid delay from SCLK↓	$C_L = 100$ pF (Note 2)		32
38	t_{DTVH}	DTV valid hold after SCLK↓		6	
39	t_{EOFD}	EOF valid delay from SCLK↓	$C_L = 100$ pF (Note 2)		32
40	t_{EOFH}	EOF output valid hold after SCLK↓		6	
41	t_{CSIS}	CS inactive prior to SCLK↓		9	
42	t_{EOFS}	EOF input valid setup to SCLK↓		9	
43	t_{EOFH}	EOF input valid hold after SCLK↓		2	
44	t_{RDTd}	RDTREQ valid delay from SCLK↓	$C_L = 100$ pF (Note 2)		32
45	t_{RDTH}	RDTREQ input valid hold after SCLK↓		6	
46	t_{TDTd}	TDTREQ valid delay from SCLK↓	$C_L = 100$ pF (Note 2)		32
47	t_{TDTH}	TDTREQ input valid hold after SCLK↓		6	
48	t_{DATS}	Data in valid setup to SCLK↓		9	
49	t_{DATIH}	Data in valid setup after SCLK↓		2	
50	t_{DATE}	Data output enable delay from SCLK↓ (Note 3)		0	
51	t_{DATD}	Data output disable delay from SCLK↓ (Note 3, 4)			25

Notes:

- The following BIU timing assumes that $EDSEL = 1$. Therefore, these parameters are specified with respect to the falling edge of SCLK (SCLK↓). If $EDSEL = 0$, the same parameters apply but should be referenced to the rising edge of SCLK (SCLK↑).
- Tested with C_L set at 100 pF and derated to support the Indicated distributed capacitive Load. See the BIU output valid delay vs. Load Chart.
- Guaranteed by design—not tested.
- t_{DATD} is defined as the time required for outputs to turn high impedance and is not referred to as output voltage lead.

AC CHARACTERISTICS (continued)

No.	Parameter Symbol	Parameter Description	Test Conditions	Min (ns)	Max (ns)
AUI Timing					
53	t_{DOTD}	XTAL1 (externally driven) to DO_{\pm} output			100
54	t_{DOTR}	DO_{\pm} rise time (10% to 90%)		2.5	5.0
55	t_{DOTF}	DO_{\pm} fall time (10% to 90%)		2.5	5.0
56	t_{DOETM}	DO_{\pm} rise and fall mismatch			1
57	t_{DOETD}	DO_{\pm} End of Transmit Delimiter		200	375
58	t_{PWRI}	DI_{\pm} pulse width to reject	$ input > V_{ASQ} $		15
59	t_{PWODI}	DI_{\pm} pulse width to turn on internal DI carrier sense	$ input > V_{ASQ} $	45	
60	t_{PWMDI}	DI_{\pm} pulse width to maintain internal DI carrier sense on	$ input > V_{ASQ} $	45	136
61	t_{PWKDI}	DI_{\pm} pulse width to turn internal DI carrier sense off	$ input > V_{ASQ} $	200	
62	t_{PWRCI}	CI_{\pm} pulse width to reject	$ input > V_{ASQ} $		10
63	t_{PWOCI}	CI_{\pm} pulse width to turn on internal SQE sense	$ input > V_{ASQ} $	26	
64	t_{PWMCI}	CI_{\pm} pulse width to maintain internal SQE sense on	$ input > V_{ASQ} $	26	90
65	t_{PWKCI}	CI_{\pm} pulse width to turn internal SQE sense off	$ input > V_{ASQ} $	160	
66	t_{SQED}	CI_{\pm} SQE Test delay from O_{\pm} inactive	$ input > V_{ASQ} $		
67	t_{SQEL}	CI_{\pm} SQE Test length	$ input > V_{ASQ} $		
79	t_{CLSHI}	CLSN high time		$t_{STDC} + 30$	
80	t_{TXH}	\overline{TXEN} or DO_{\pm} hold time from $CLSN_{\uparrow}$	$ input > V_{ASQ} $	$32 * t_{STDC}$	$96 * t_{STDC}$
DAI Port Timing					
70	t_{TXEND}	$STDCLK_{\uparrow}$ delay to $\overline{TXEN}_{\downarrow}$	$C_L = 50 \text{ pF}$		70
72	t_{TXDD}	$STDCLK_{\uparrow}$ delay to $TXDAT_{\pm}$ change	$C_L = 50 \text{ pF}$		70
80	t_{TXH}	\overline{TXEN} or $TXDAT_{\pm}$ hold time from $CLSN_{\uparrow}$		$32 * t_{STDC}$	$96 * t_{STDC}$
95	t_{DOTF}	Mismatch in $STDCLK \neq \overline{TXEN}_{\downarrow}$ and \overline{TXDAT}_{\pm} change			15
96	t_{TXDTR}	\overline{TXDAT}_{\pm} rise time	See Note 1		5
97	t_{TXDTF}	\overline{TXDAT}_{\pm} fall time	See Note 1		5
98	t_{TXDTM}	\overline{TXDAT}_{\pm} rise and fall mismatch	See Note 1		1
99	$t_{TXENETD}$	\overline{TXEN} End of Transmit Delimiter		250	350
100	t_{FRXDD}	First $RXDAT_{\downarrow}$ delay to $RXCRS_{\uparrow}$			100
101	t_{LRXDD}	Last $RXDAT \neq$ delay to $RXCRS_{\downarrow}$			120
102	$t_{CRSCLSD}$	$RXCRS_{\uparrow}$ delay to $CLSN_{\uparrow}$ ($\overline{TXEN} = 0$)			100

AC CHARACTERISTICS (continued)

No.	Parameter Symbol	Parameter Description	Test Conditions	Min (ns)	Max (ns)
GPSI Clock Timing					
17	t_{STDC}	STDCLK period		99	101
18	t_{STDCL}	STDCLK low pulse width	See Note 1	45	
19	t_{STDCH}	STDCLK high pulse width		45	
20	t_{STDCR}	STDCLK rise time	See Note 1		5
21	t_{STDCF}	STDCLK fall time	See Note 1		5
22	t_{SRDC}	SRDCLK period		85	115
23	t_{SRDCH}	SRDCLK HIGH pulse width		38	
24	t_{SRDCL}	SRDCLK LOW pulse width		38	
25	t_{SRDCR}	SRDCLK rise time	See Note 1		5
26	t_{SRDCF}	SRDCLK fall time	See Note 1		5
GPSI Timing					
70	t_{TXEND}	STDCLK \uparrow delay to TXEN \uparrow	($C_L = 50$ pF)		70
71	t_{TXENH}	TXEN hold time from STDCLK \uparrow	($C_L = 50$ pF)	5	
72	t_{TXDD}	STDCLK \uparrow delay to TXDAT+ change	($C_L = 50$ pF)		70
73	t_{TXDH}	TXDAT+ hold time from STDCLK \uparrow	($C_L = 50$ pF)	5	
74	t_{RXDR}	RXDAT rise time	See Note 1		8
75	t_{RXDF}	RXDAT fall time	See Note 1		8
76	t_{RXDH}	RXDAT hold time (SRDCLK \uparrow to RXDAT change)		25	
77	t_{RXDS}	RXDAT setup time (RXDAT stable to SRDCLK \uparrow)		0	
78	t_{CRSL}	RXCRES low time		$t_{STDC} + 20$	
79	t_{CLSHI}	CLSN high time		$t_{STDC} + 30$	
80	t_{TXH}	TXEN or TXDAT \pm hold time from CLSN \uparrow		$32 \cdot t_{STDC}$	$96 \cdot t_{STDC}$
81	t_{CRSH}	RXCRES hold time from SRDCLK \uparrow		0	
EADI Feature Timing					
85	t_{DSFBDR}	SRDCLK \downarrow delay to SF/BD \uparrow			20
86	t_{DSFBDF}	SRDCLK \downarrow delay to SF/BD \uparrow			20
87	t_{EAMRIS}	EAM/R invalid setup prior to SRDCLK \downarrow after SFD		-150	
88	t_{EAMS}	EAM setup to SRDCLK \downarrow at bit 6 of Source Address byte 1 (match packet)		0	
89	t_{EAMRL}	EAM/R low time		200	
90	$t_{SFBDBHIH}$	SF/BD high hold from last SRDCLK \downarrow		100	
91	t_{EARS}	EAR setup SRDCLK \downarrow at bit 6 of message byte 64 (reject normal packet)		0	

Note:

1. Not tested but data available upon request.

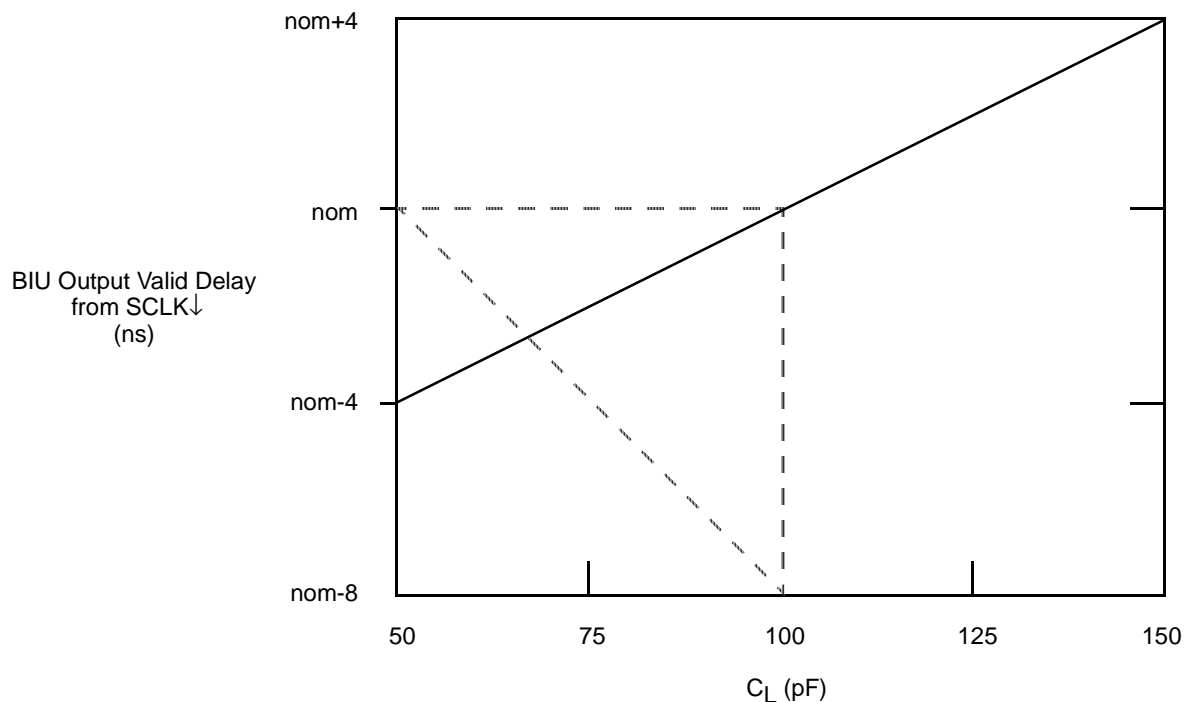
AC CHARACTERISTICS (continued)

No.	Parameter Symbol	Parameter Description	Test Conditions	Min	Max
IEEE 1149.1 Timing					
109	t_{TCLK}	TCK Period, 50% duty cycle (+5%)		100	
110	t_{su1}	TMS setup to TCK \uparrow		8	
111	t_{su2}	TDI setup to TCK \uparrow		5	
112	t_{hd1}	TMS hold time from TCK \uparrow		5	
113	t_{hd2}	TDI hold time from TCK \uparrow		10	
114	t_{d1}	TCK \downarrow delay to TDO			30
115	t_{d2}	TCK \downarrow delay to SYSTEM OUTPUT			35
10BASE-T Transmit Timing				Min	Max
125	t_{TETD}	Transmit Start of Idle		250	350
126	t_{TR}	Transmitter Rise Time	(10% to 90%)		5.5
127	t_{TF}	Transmitter Fall Time	(90% to 10%)		5.5
128	t_{TM}	Transmitter Rise and Fall Time Mismatch			1
129	t_{XMTON}	XMT# Asserted Delay			100
130	t_{XMTOFF}	XMT# De-asserted Delay		TBD	TBD
131	t_{PERLP}	Idle Signal Period		8	24
132	t_{PWLP}	Idle Link Pulse Width	(Note 1)	75	120
133	t_{PWPLP}	Predistortion Idle Link Pulse Width	(Note 1)	45	55
134	t_{JA}	Transmit Jabber Activation Time		20	150
135	t_{JR}	Transmit Jabber Reset Time		250	750
136	t_{JREC}	Transmit Jabber Recovery Time (Minimum Time Gap Between Transmitted Packets to Prevent Jabber Activation)		1.0	
10BASE-T Receive Timing					
140	t_{PWNRD}	RXD Pulse Width Not to Turn Off Internal Carrier Sense	VIN > VTHS (min)	136	–
141	t_{PWROFF}	RXD Pulse Width to Turn Off VIN > VTHS (min)		200	
142	t_{RETD}	Receive Start of Idle		200	
143	t_{RCVON}	RCV# Asserted Delay		$t_{RON} - 50$	$t_{RON} - 100$
144	t_{RCVOFF}	RCV# De-asserted Delay		TBD	TBD

Note:

1. Not tested but data available upon request.

BIU Output Valid Delay vs. Load Chart



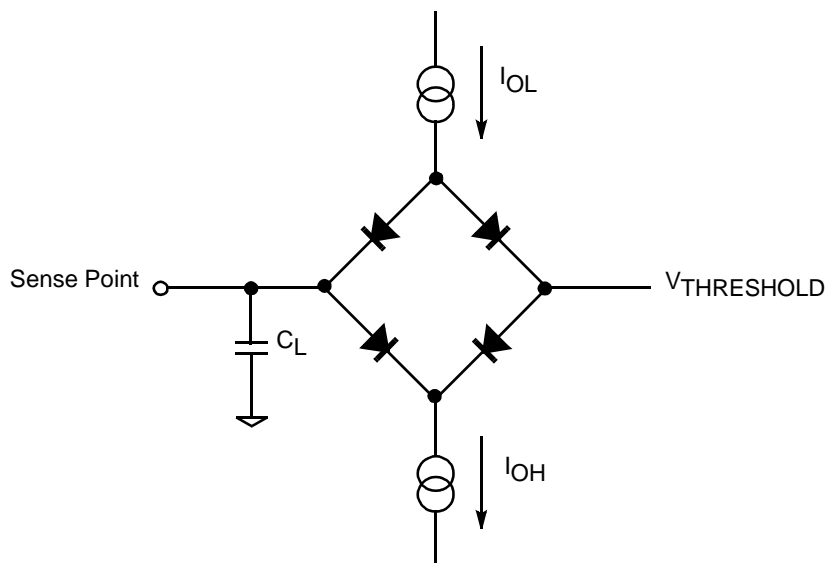
16235D-19

KEY TO SWITCHING WAVEFORMS

WAVEFORM	INPUTS	OUTPUTS
	Must be Steady	Will be Steady
	May Change from H to L	Will be Changing from H to L
	May Change from L to H	Will be Changing from L to H
	Don't Care, Any Change Permitted	Changing, State Unknown
	Does Not Apply	Center Line is High-Impedance "Off" State

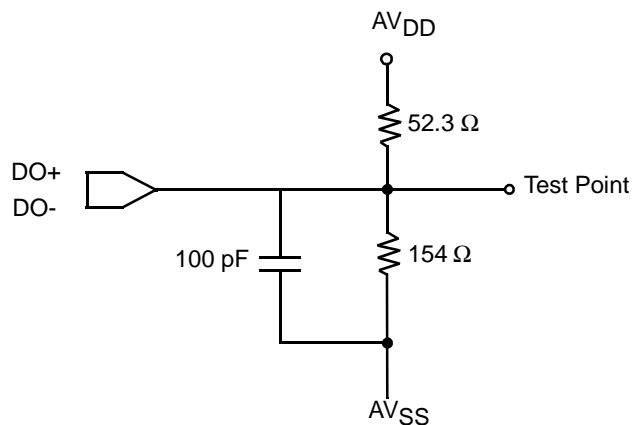
KS000010

SWITCHING TEST CIRCUITS



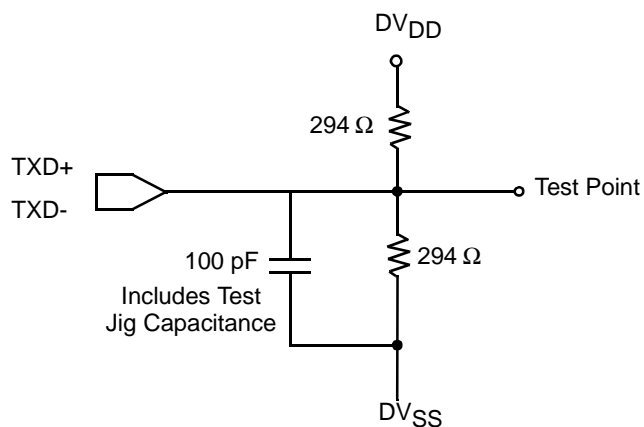
16235D-20

Normal and Three-State Outputs



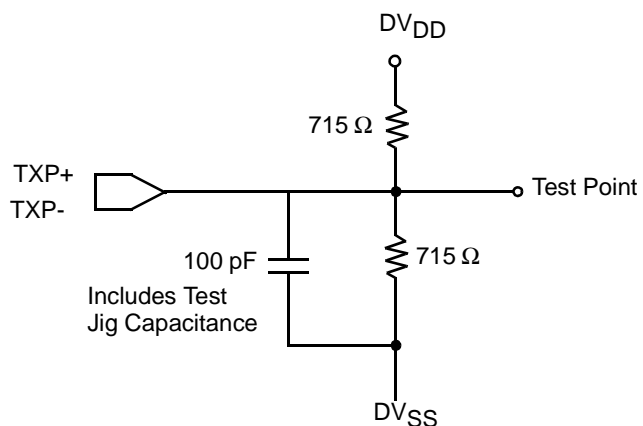
16235D-21

AUI DO Switching Test Circuit



16235D-22

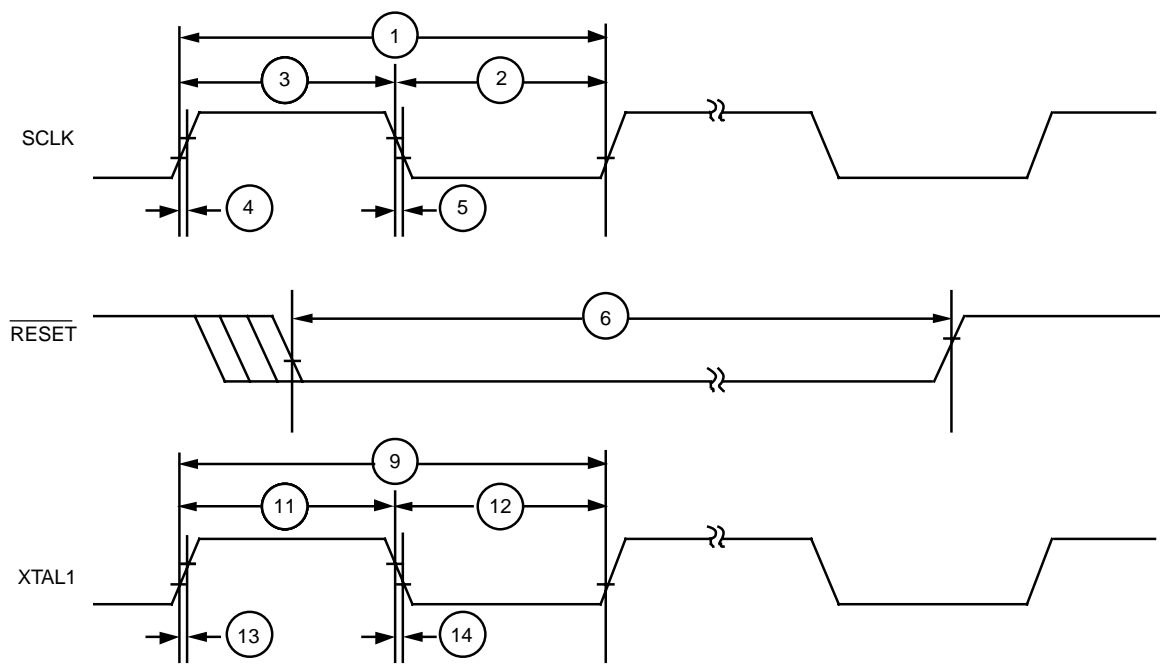
TXD Switching Test Circuit



16235D-23

TXP Outputs Test Circuit

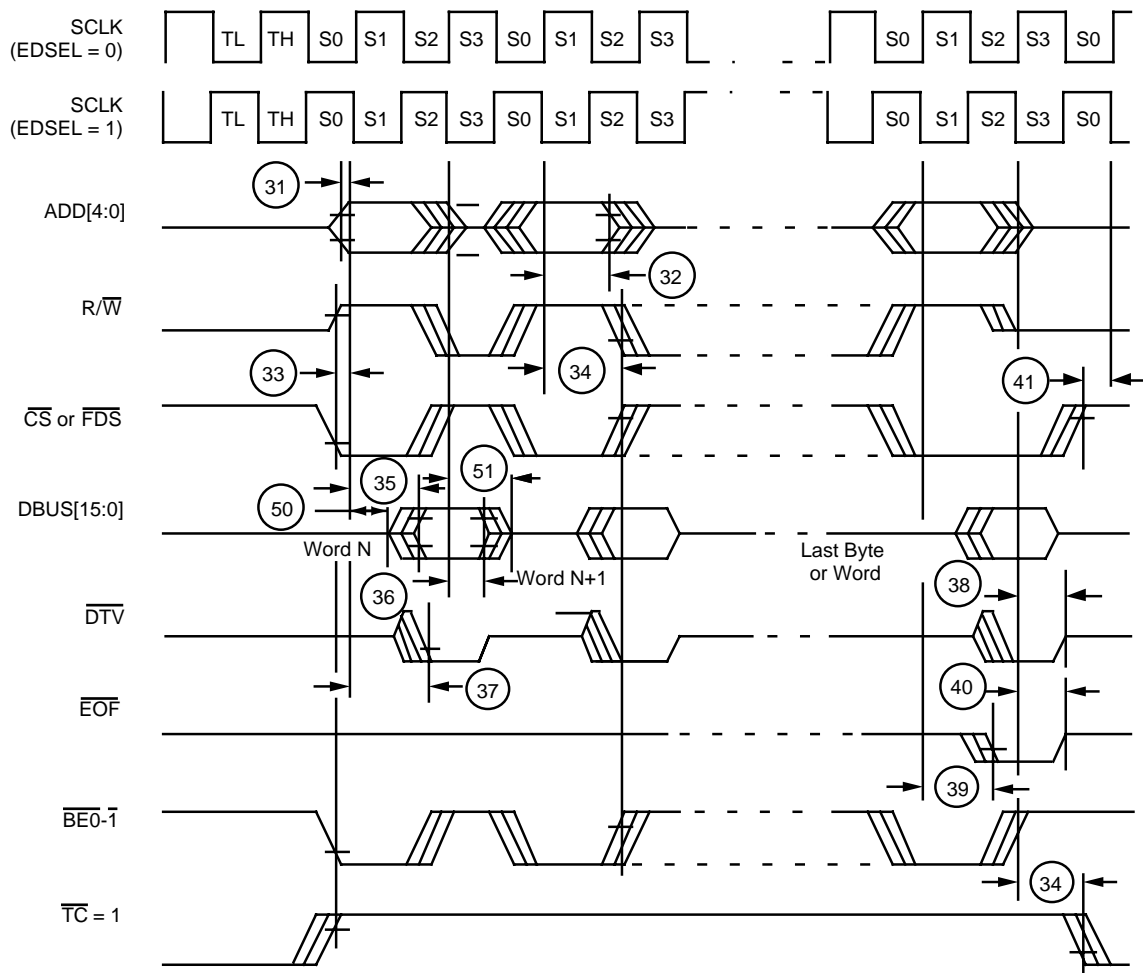
AC WAVEFORMS



Clock and Reset Timing

16235D-24

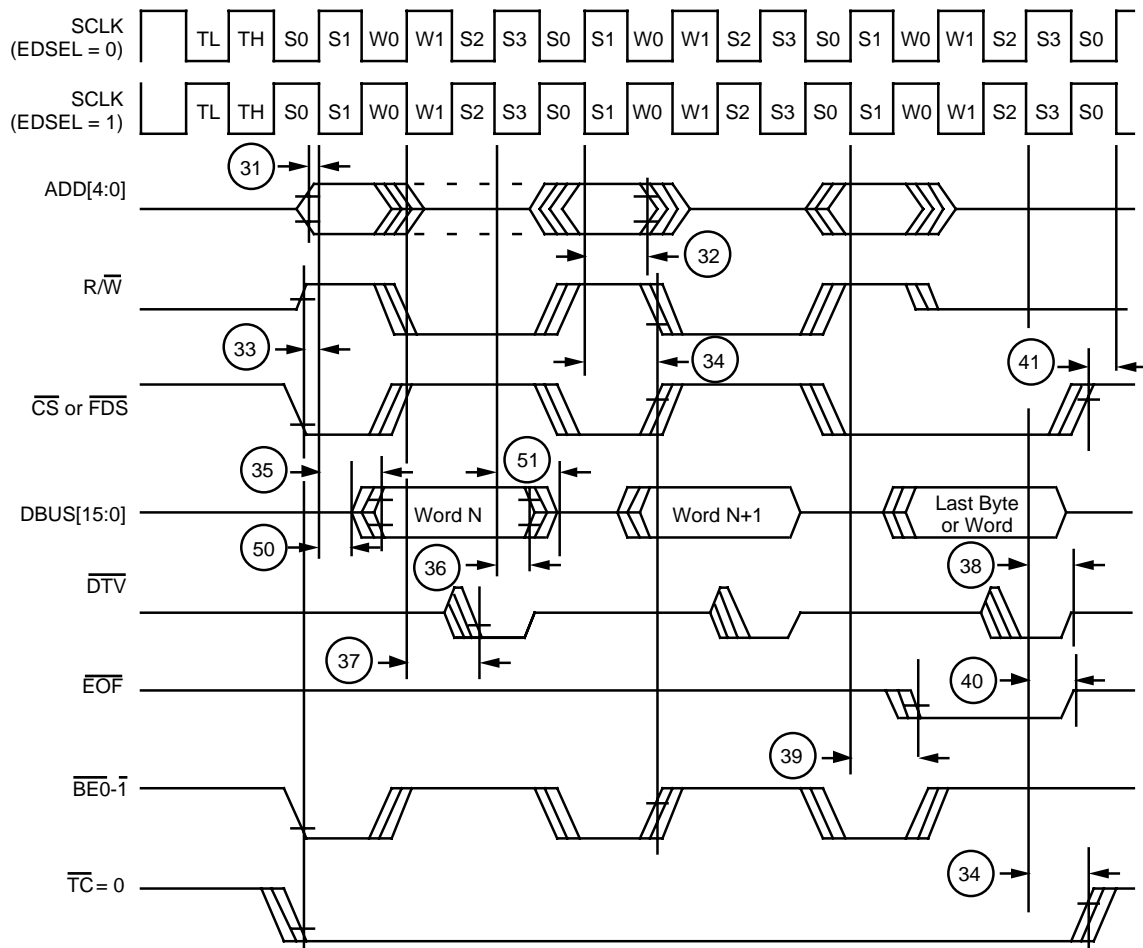
AC WAVEFORMS



16235D-25

Host System Interface—2-Cycle Receive FIFO/Register Read Timing

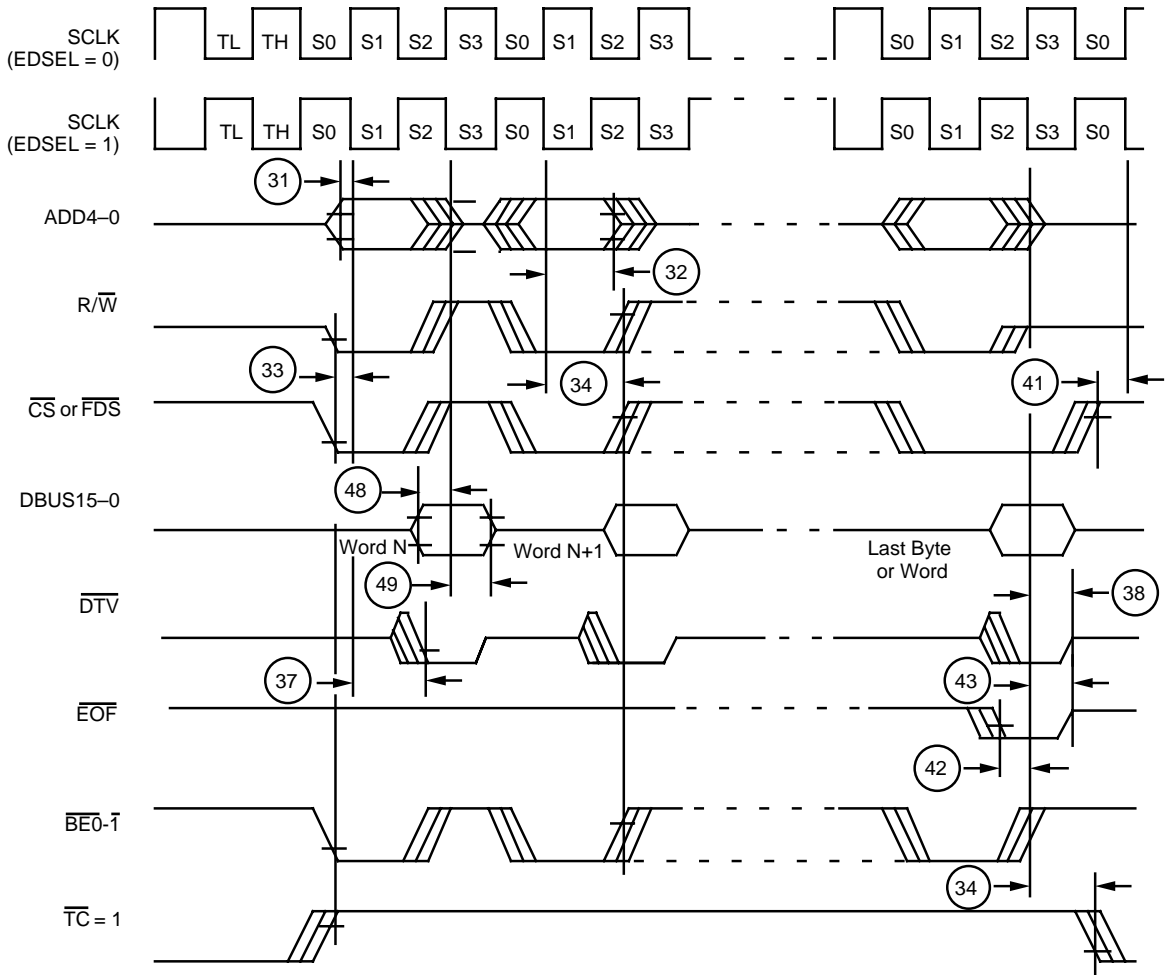
AC WAVEFORMS



16235D-26

Host System Interface—3-Cycle Receive FIFO/Register Read Timing

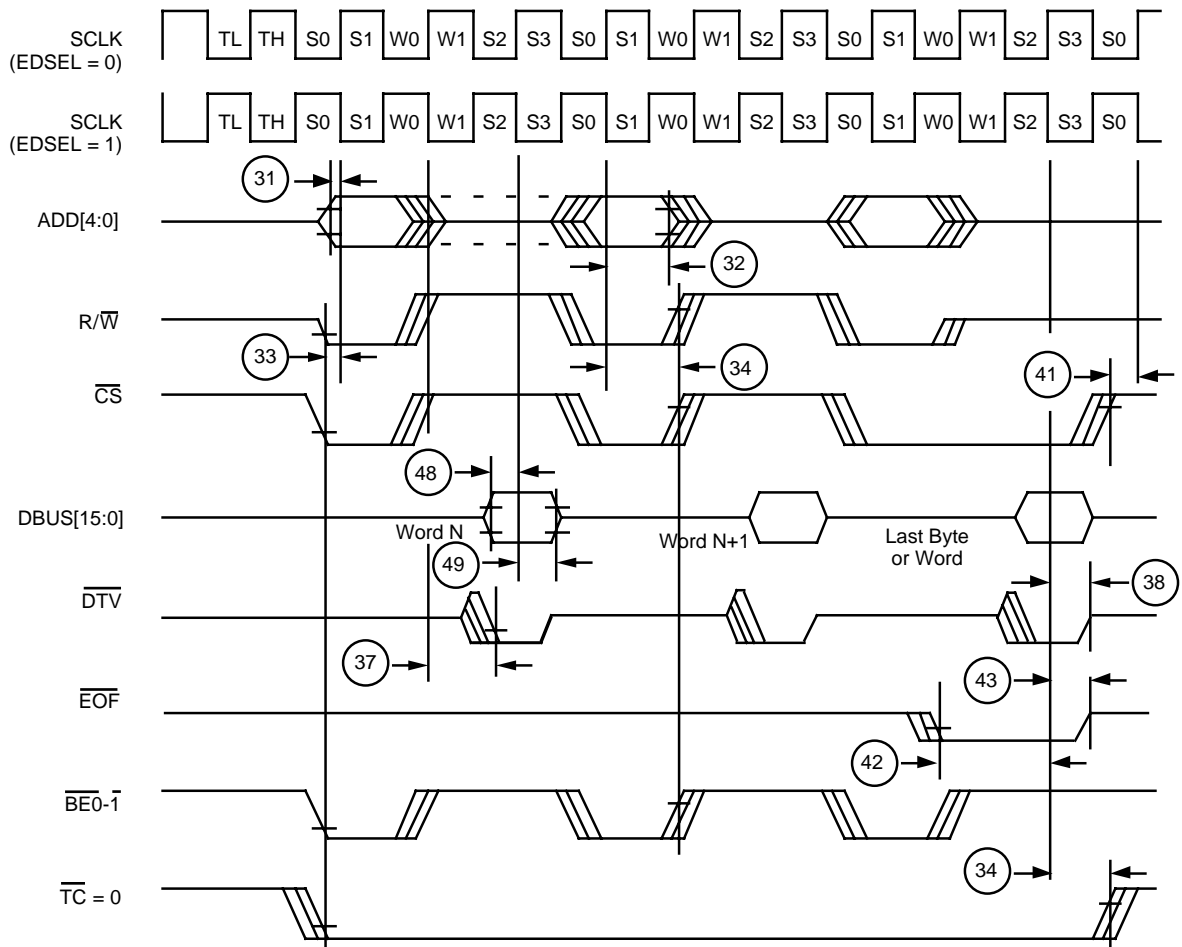
AC WAVEFORMS



16235D-27

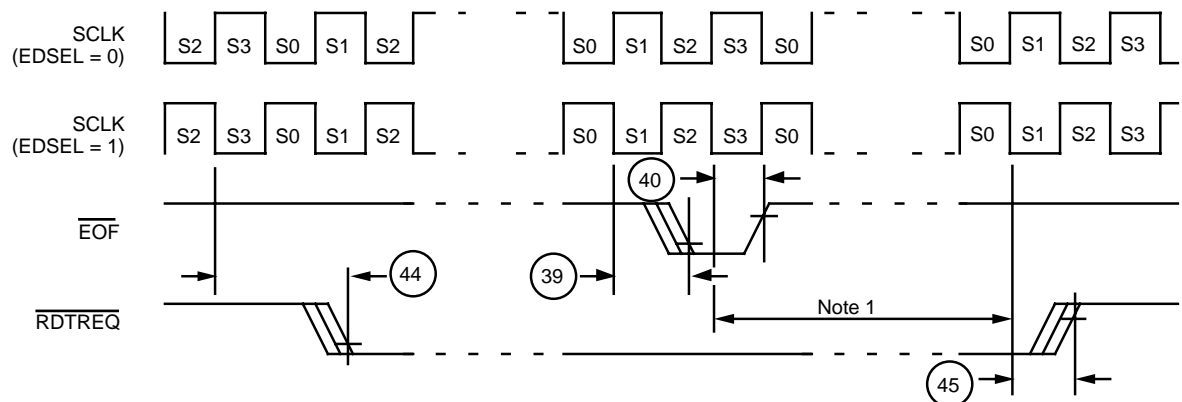
Host System Interface—2-Cycle Transmit FIFO/Register Write Timing

AC WAVEFORMS



16235D-28

Host System Interface—3-Cycle Transmit FIFO/Register Write Timing

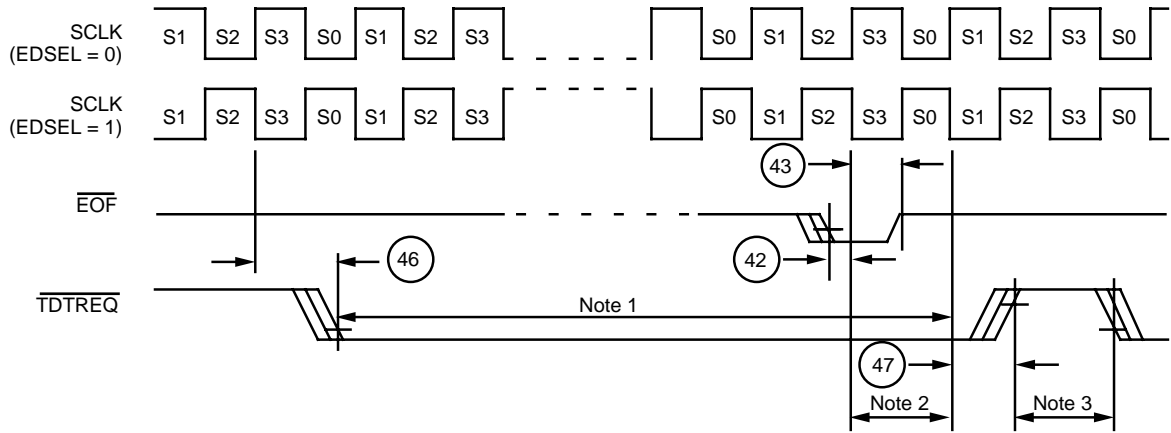


16235D-29

Note: Once the host detects the \overline{EOF} output active from the MACE device (S2/S3 edge), if no other receive packet exists in the RCVFIFO which meets the assert conditions for RDTREQ, the MACE device will deassert RDTREQ within 4 SCLK cycles (S0/S1 edge). This is consistent for both 2 or 3 cycle read operations.

Host System Interface—RDTREQ Read Timing

AC WAVEFORMS

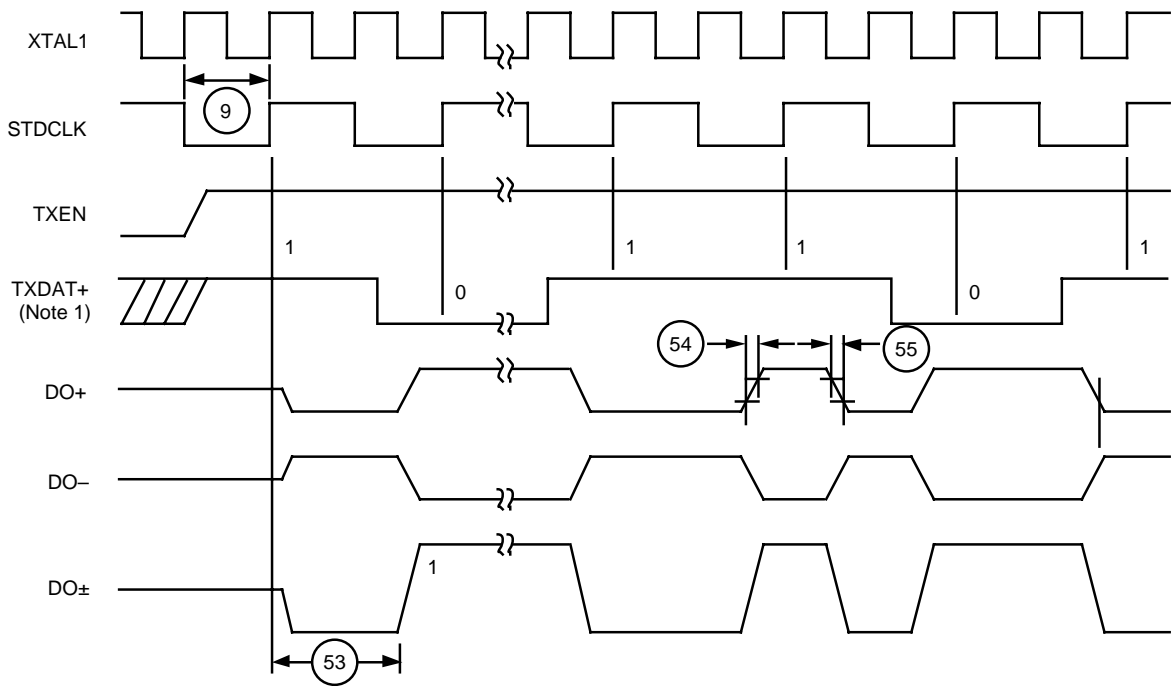


Notes:

1. \overline{TDTREQ} will be asserted for two write cycles (4 SCLK cycles) minimum.
2. \overline{TDTREQ} will deassert 1 SCLK cycle after \overline{EOF} is detected (S2/S3 edge).
3. When \overline{EOF} is written, \overline{TDTREQ} will go inactive for 1 SCLK cycle minimum.

16235D-30

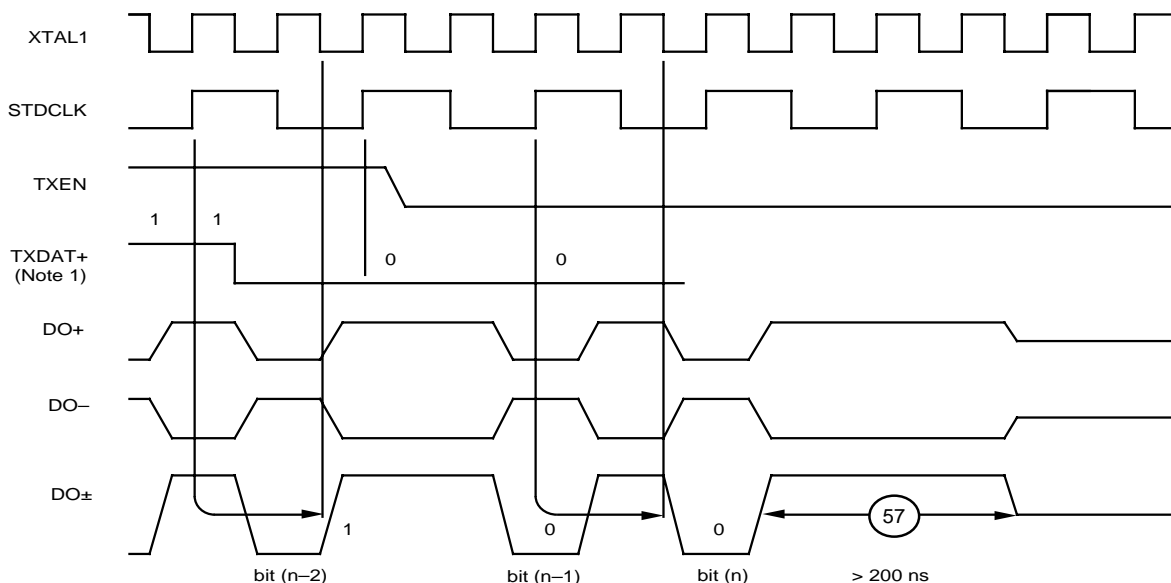
Host System Interface— \overline{TDTREQ} Write Timing



Note: TXDAT+ is the internal version of the signal, and is shown for clarification only.

16235D-31

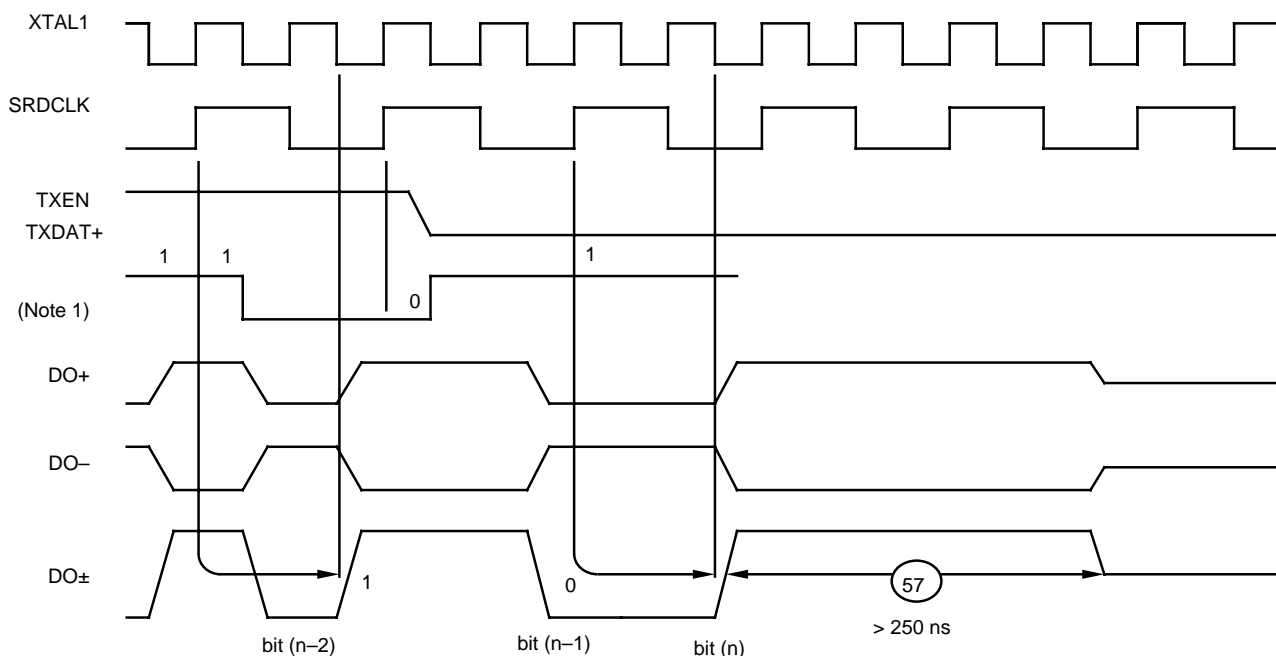
AUI Transmit Timing—Start of Packet



Note: TXDAT+ is the internal version of the signal, and is shown for clarification only.

16235D-32

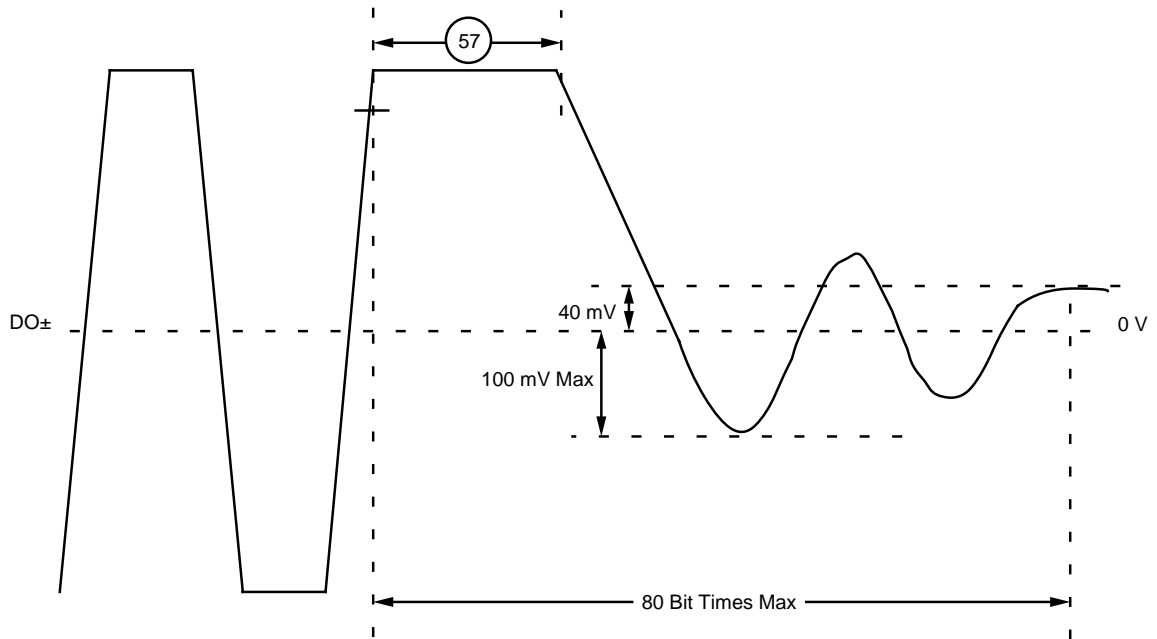
AUI Transmit Timing—End of Packet (Last Bit = 0)



Note: TXDAT+ is the internal version of the signal, and is shown for clarification only.

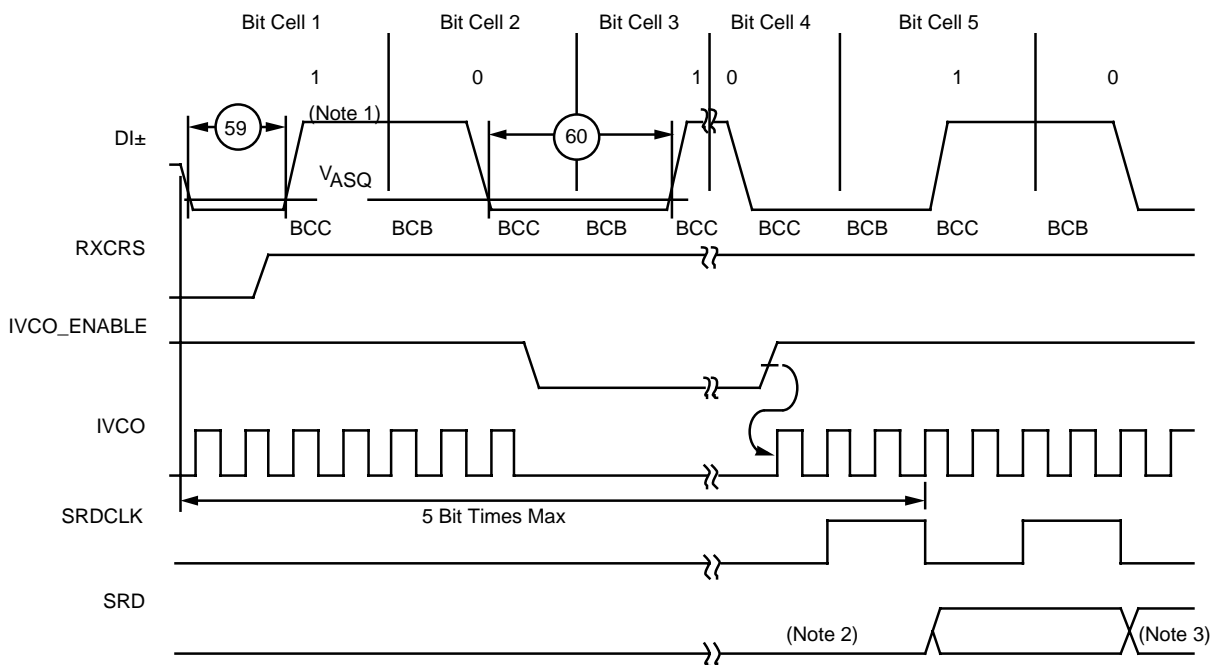
16235D-33

AUI Transmit Timing—End of Packet (Last Bit = 1)



AUI Transmit Timing—End Transmit Delimiter (ETD)

16235D-34

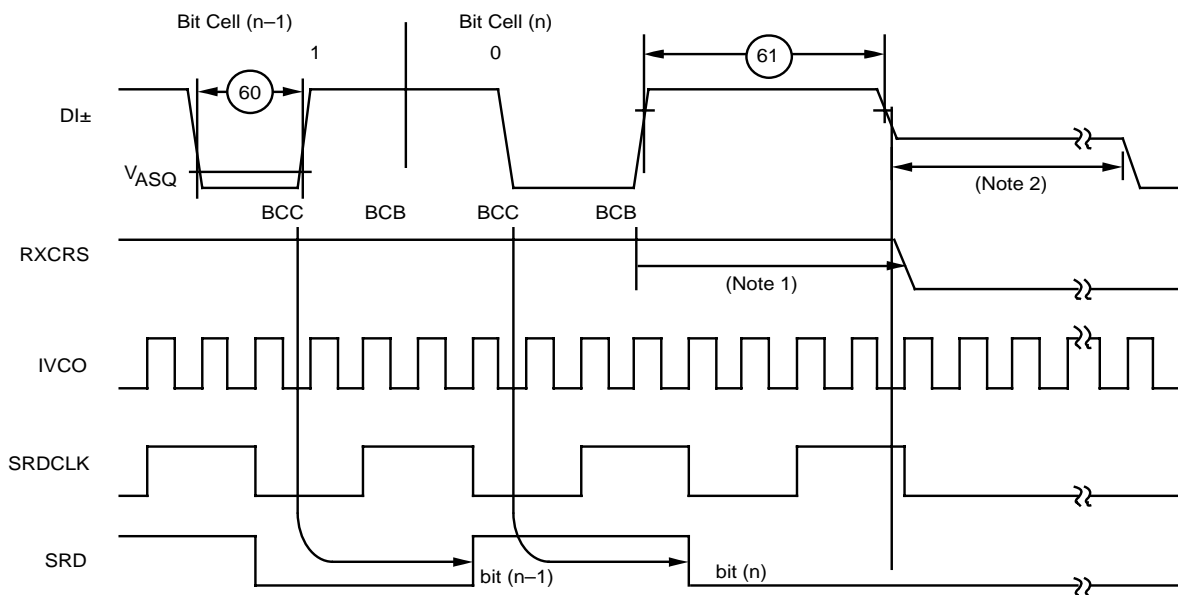


Notes:

1. Minimum pulse width >45 ns with amplitude >-160 mV.
2. SRD first decoded bit might not be defined until bit time 5.
3. First valid data bit.
4. IVCO and VCO ENABLE are internal signals shown for clarification only.

16235D-35

AUI Receive Timing—Start of Packet

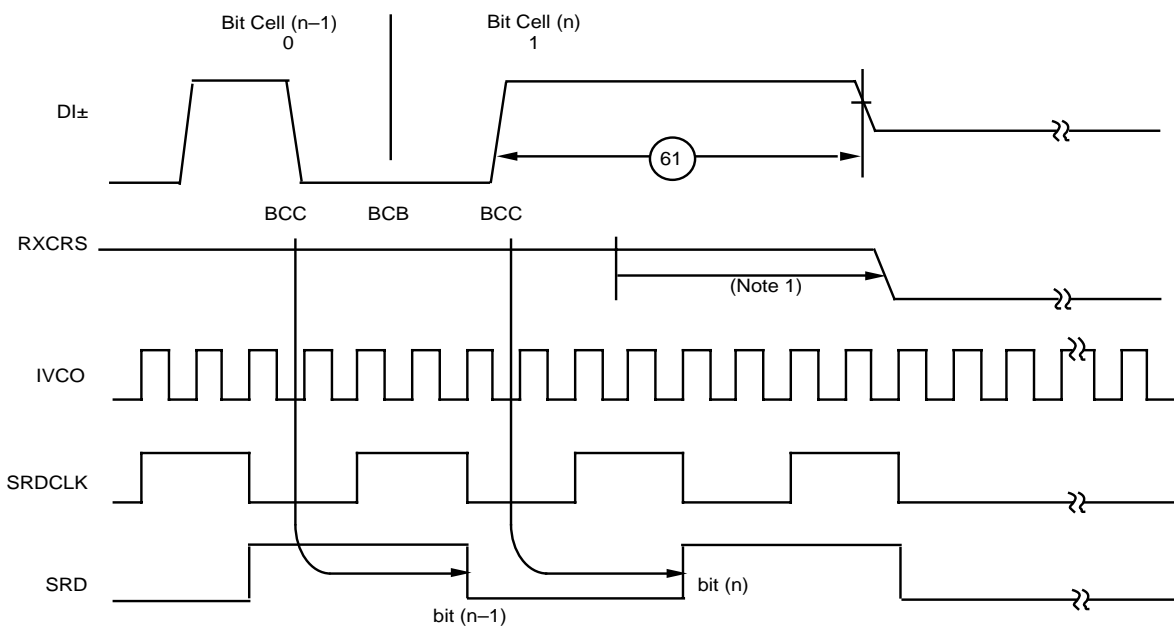


Notes:

16235D-36

1. RXCERS deasserts in less than 3 bit times after last DI± rising edge.
2. Start of next packet reception (2 bit times).
3. IVCO is an internal signal shown for clarification only.

AUI Receive Timing—End of Packet (Last Bit = 0)

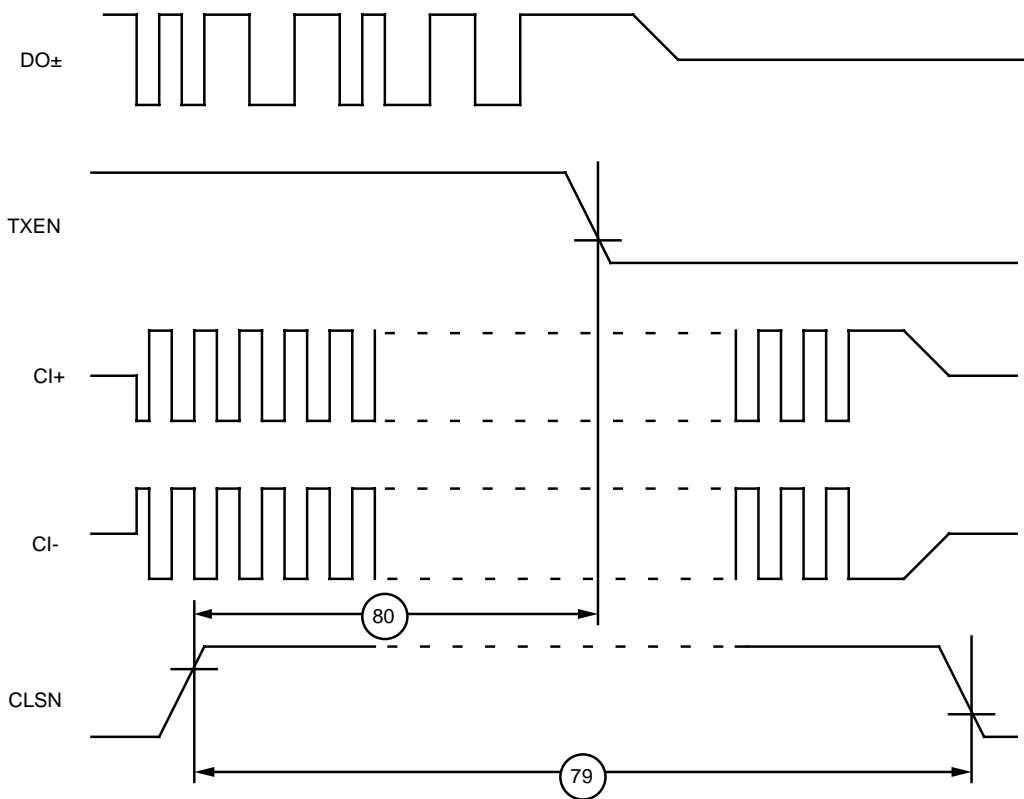


Notes:

16235D-37

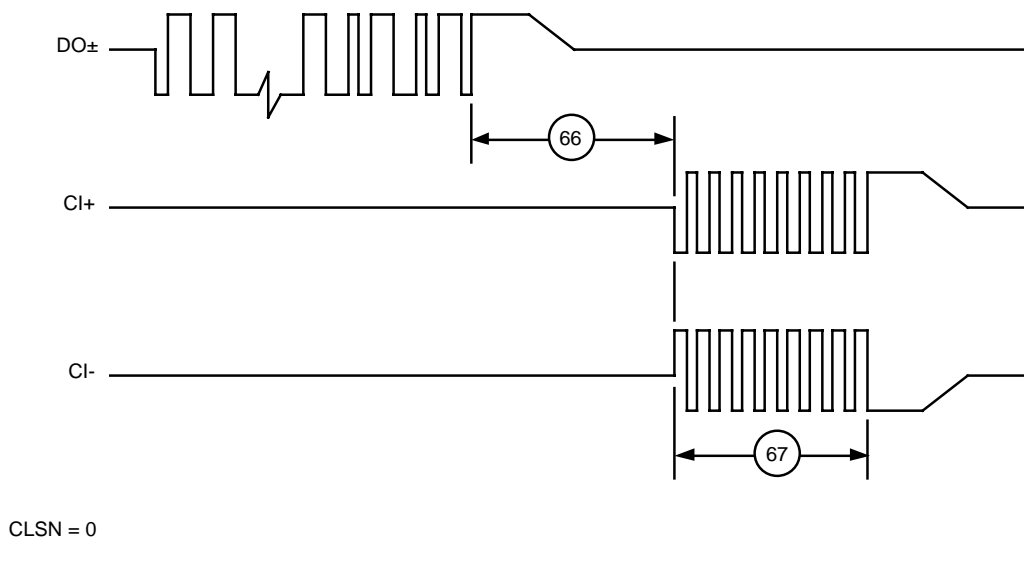
1. RXCERS deasserts in less than 3 bit times after last DI± rising edge.
2. IVCO is an internal signal shown for clarification only.

AUI Receive Timing—End of Packet (Last Bit = 1)



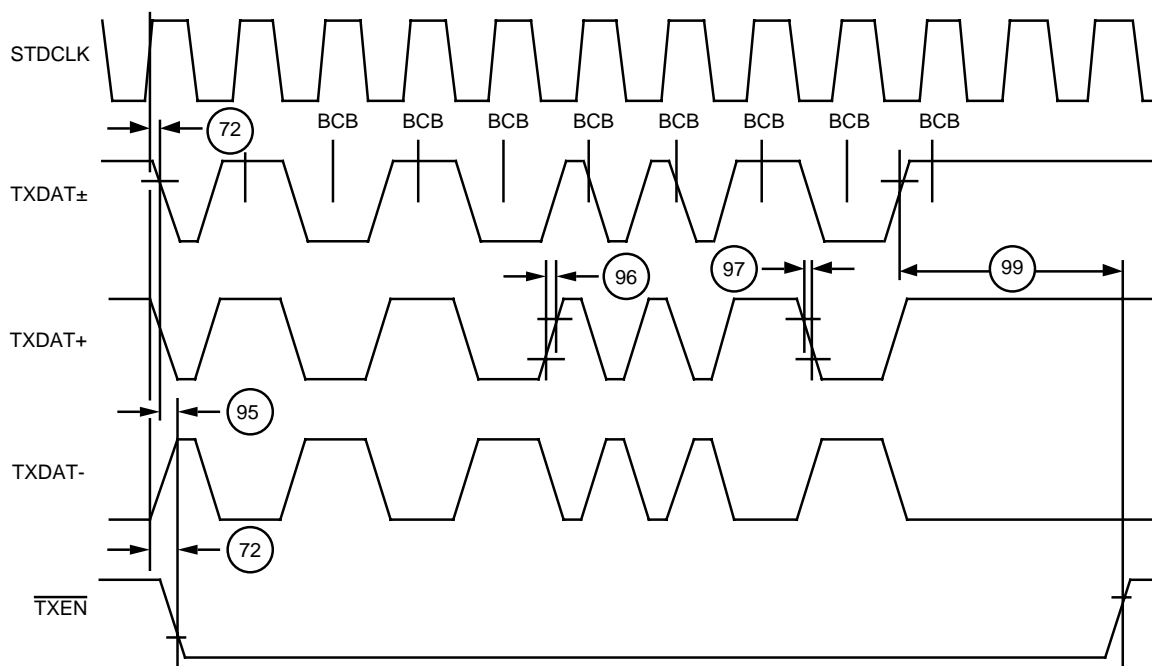
16235D-38

AUI Collision Timing



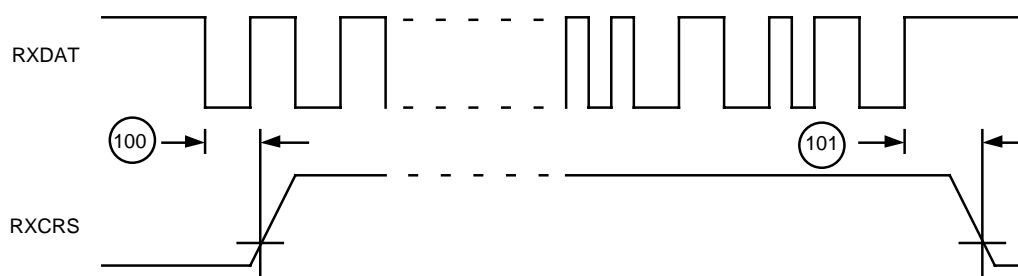
16235D-39

AUI SQE Test Timing



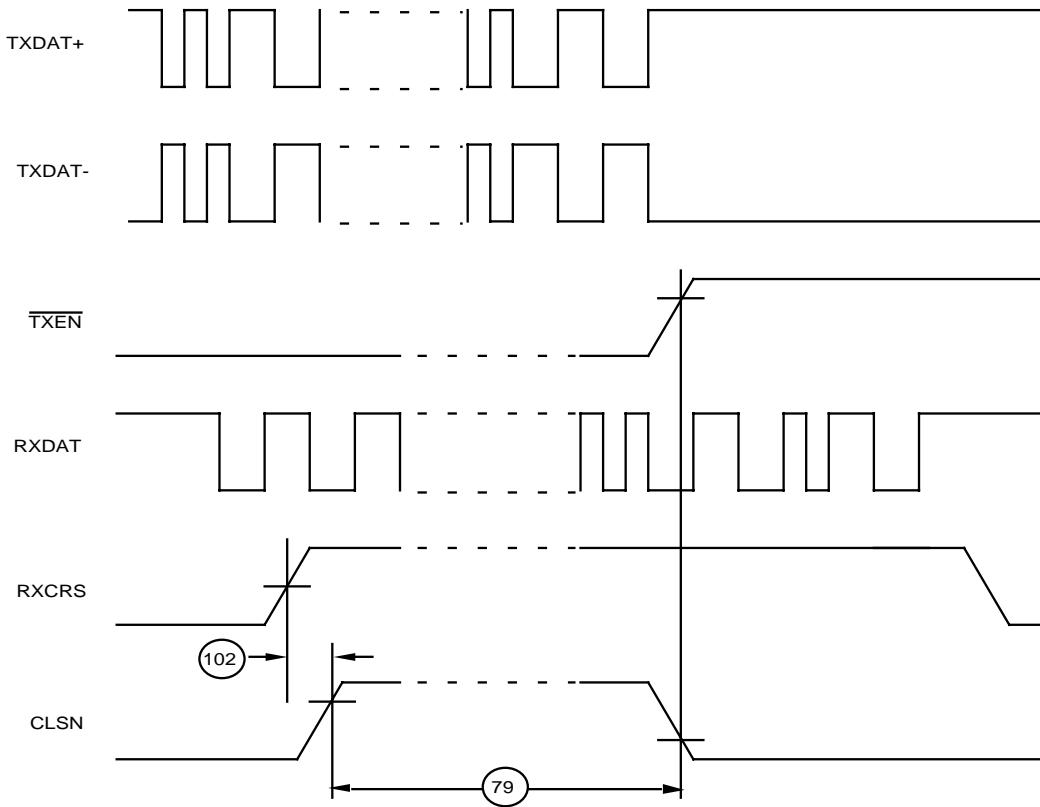
DAI Port Transmit Timing

16235D-40



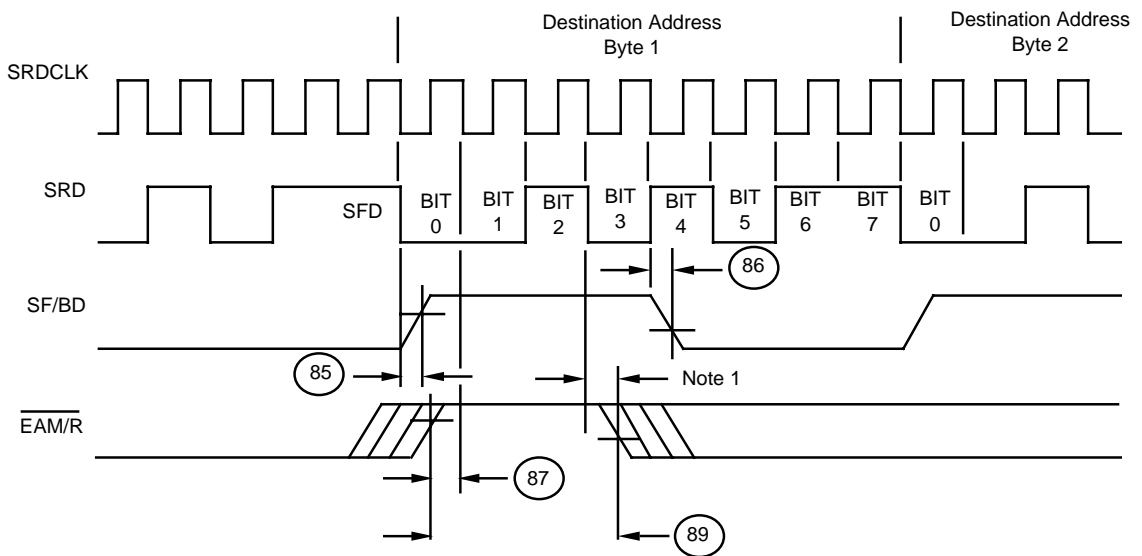
DAI Port Receive Timing

16235D-41



DAI Port Collision Timing

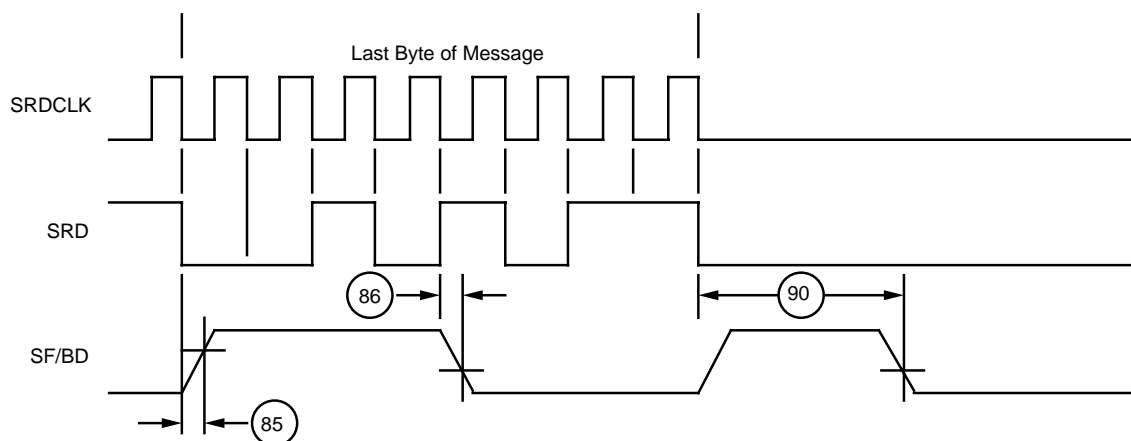
16235D-42



Note First assertion of $\overline{EAM/R}$ must occur after bit 2/3 boundary of preamble.

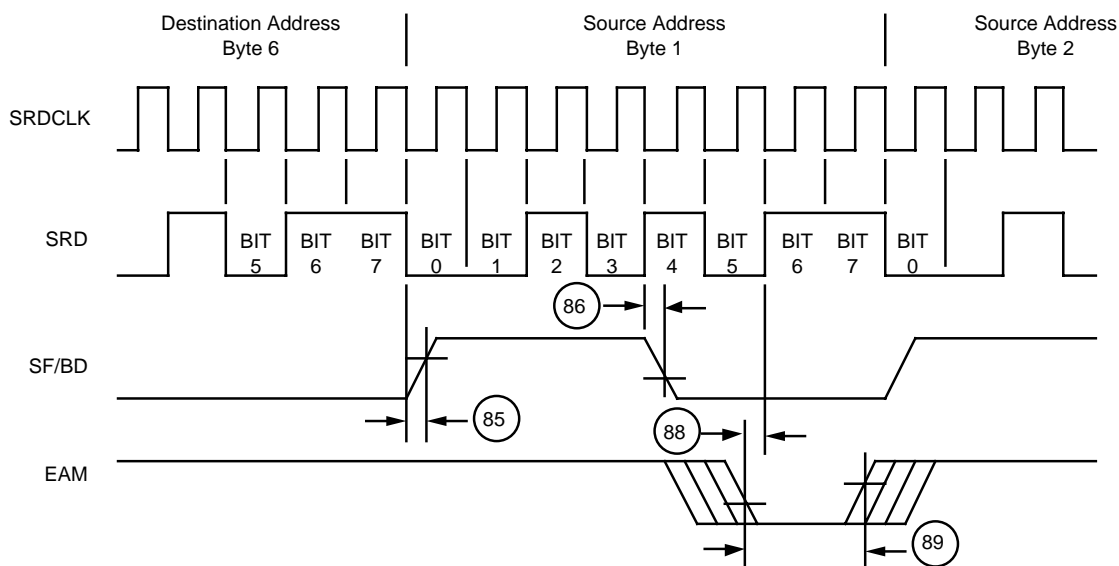
16235D-43

EADI Feature Timing—Start of Address



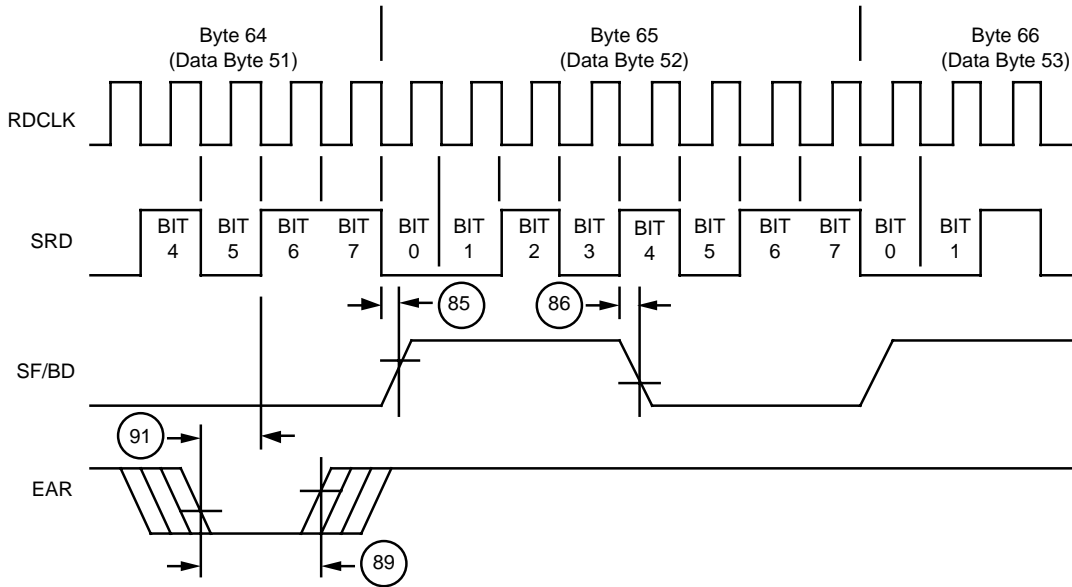
EADI Feature-End of Packet Timing

16235D-44



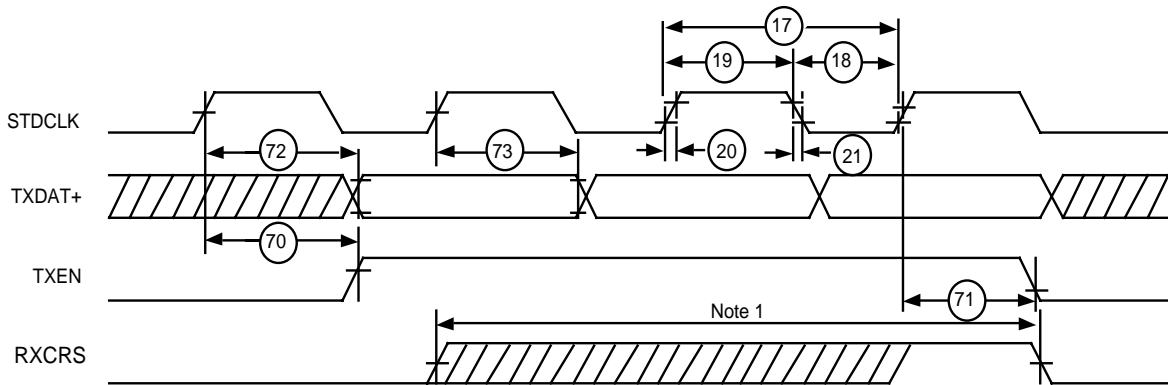
EADI Feature-Match Timing

16235D-45



EADI Feature Reject Timing

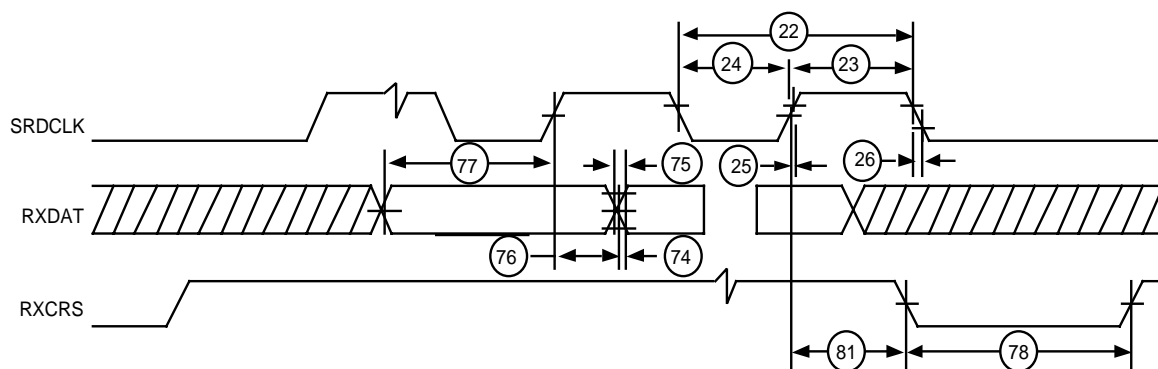
16235D-46



16235D-47

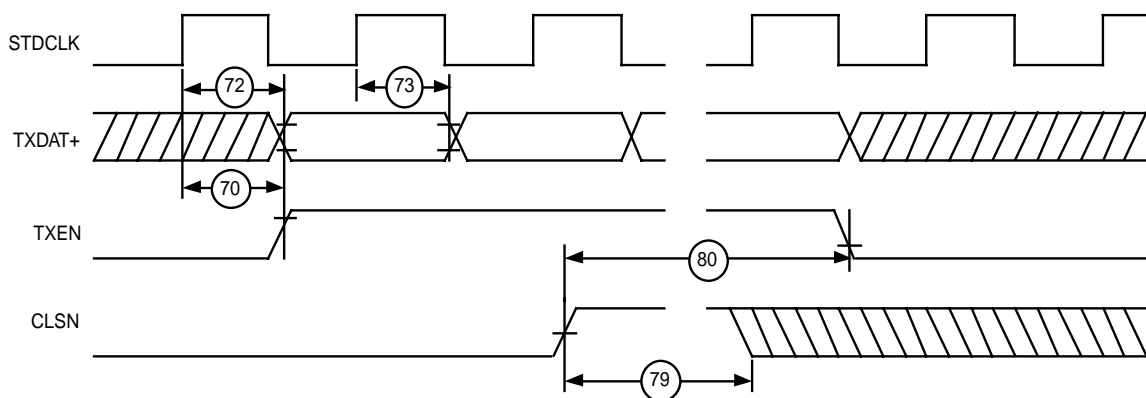
Note: During transmit, the RXCRS input must be asserted (high) and remain active-high after TXEN goes active (high). If RXCRS is deasserted before TXEN is deasserted, LCAR will be reported (Transmit Frame Status) after the transmission is completed by the MACE device.

GPSI Transmit Timing



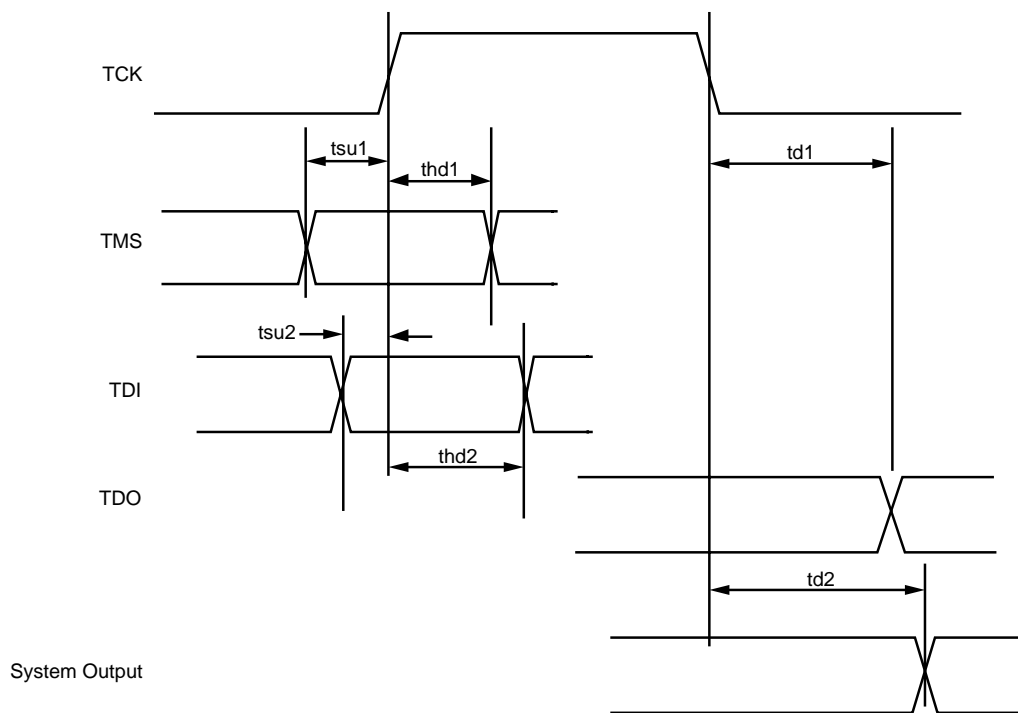
16235D-48

GPSI Receive Timing



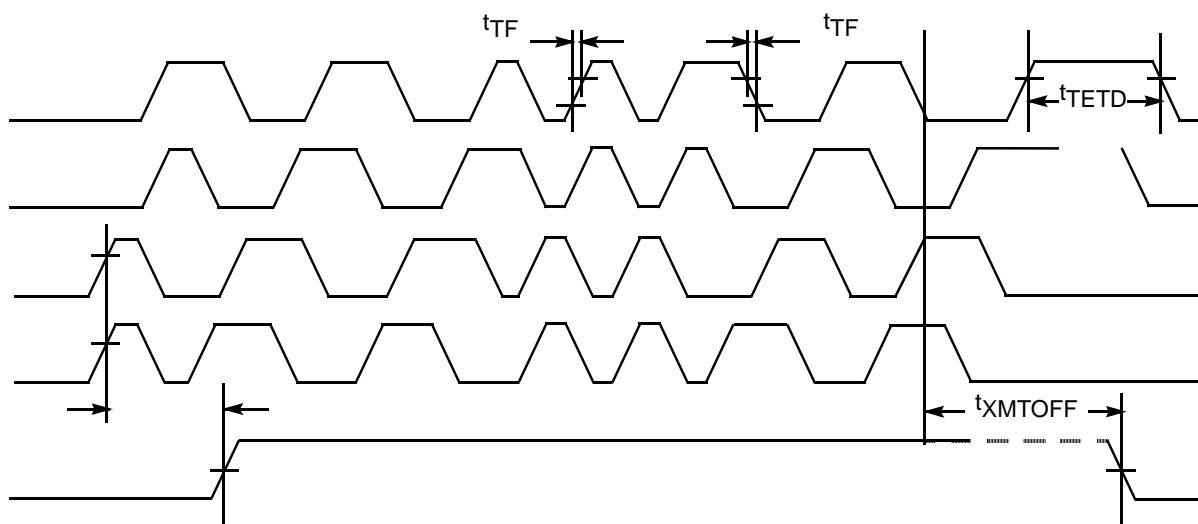
16235D-49

GPSI Collision Timing



IEEE 1149.1 TAP Timing

16235D-50

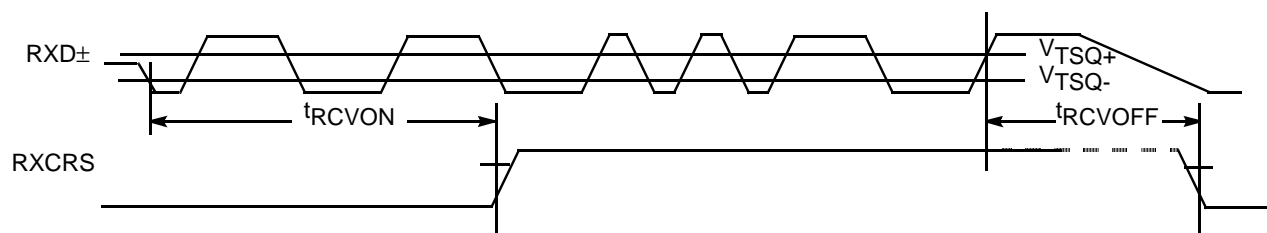


Note:

1. Parameter is internal to the device.

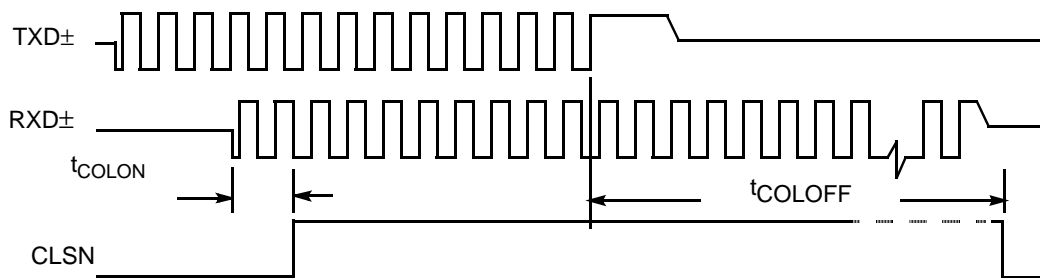
16235D-51

10BASE-T Transmit Timing



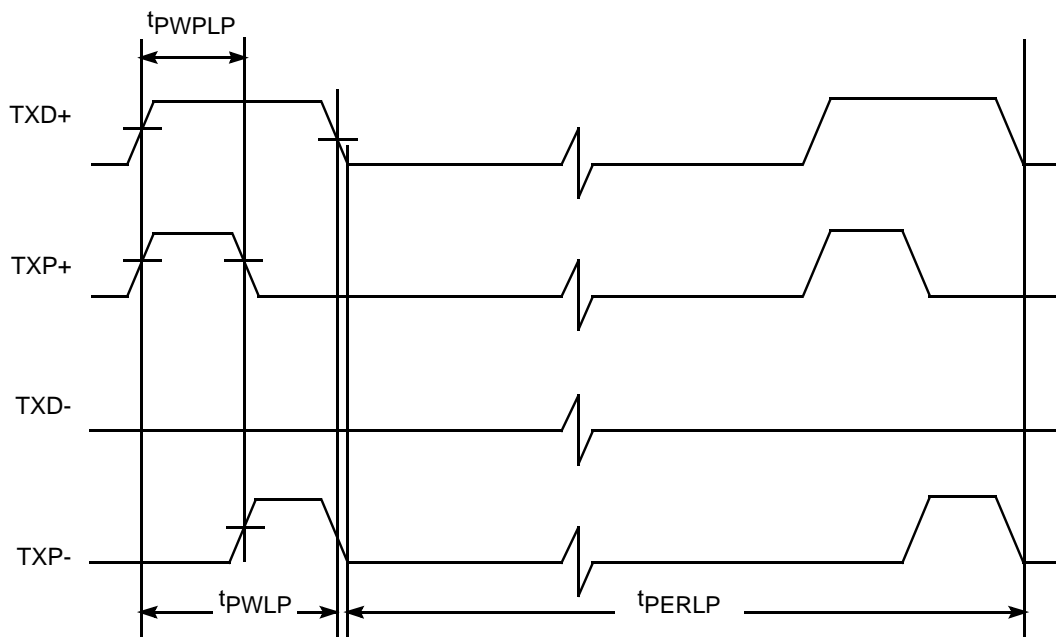
16235D-52

10BASE-T Receive Timing



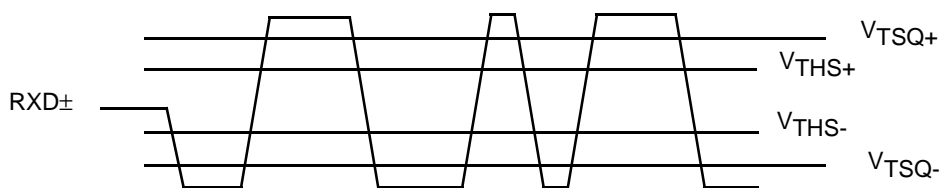
16235D-53

10BASE-T Collision Timing



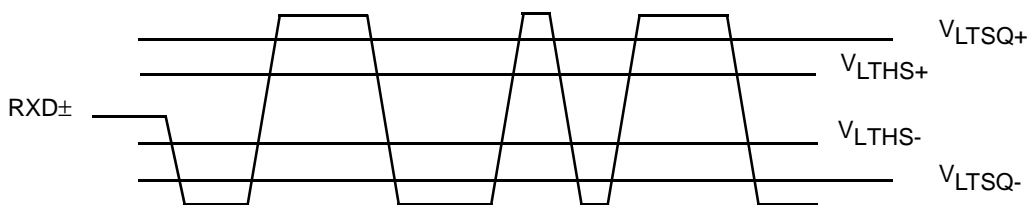
10BASE-T Idle Link Test Pulse

16235D-54



10BASE-T Receive Thresholds (LRT = 0)

16235D-55



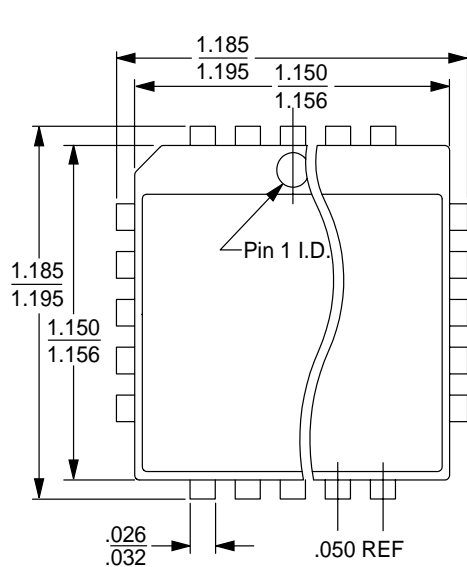
10BASE-T Receive Thresholds (LRT = 1)

16235D-56

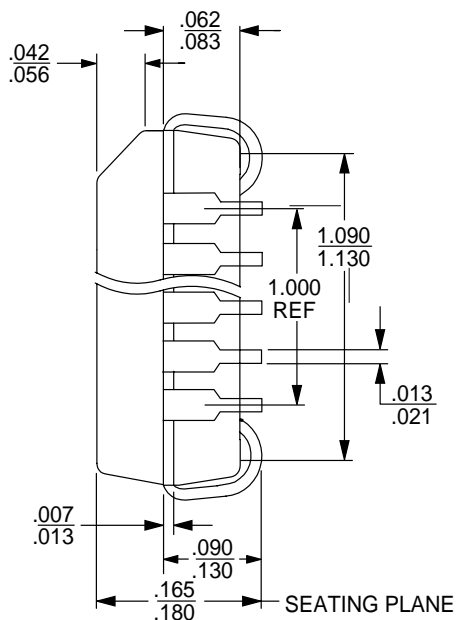
PHYSICAL DIMENSIONS*

PL 084

84-Pin Plastic Leaded Chip Carrier (measured in inches)



TOP VIEW



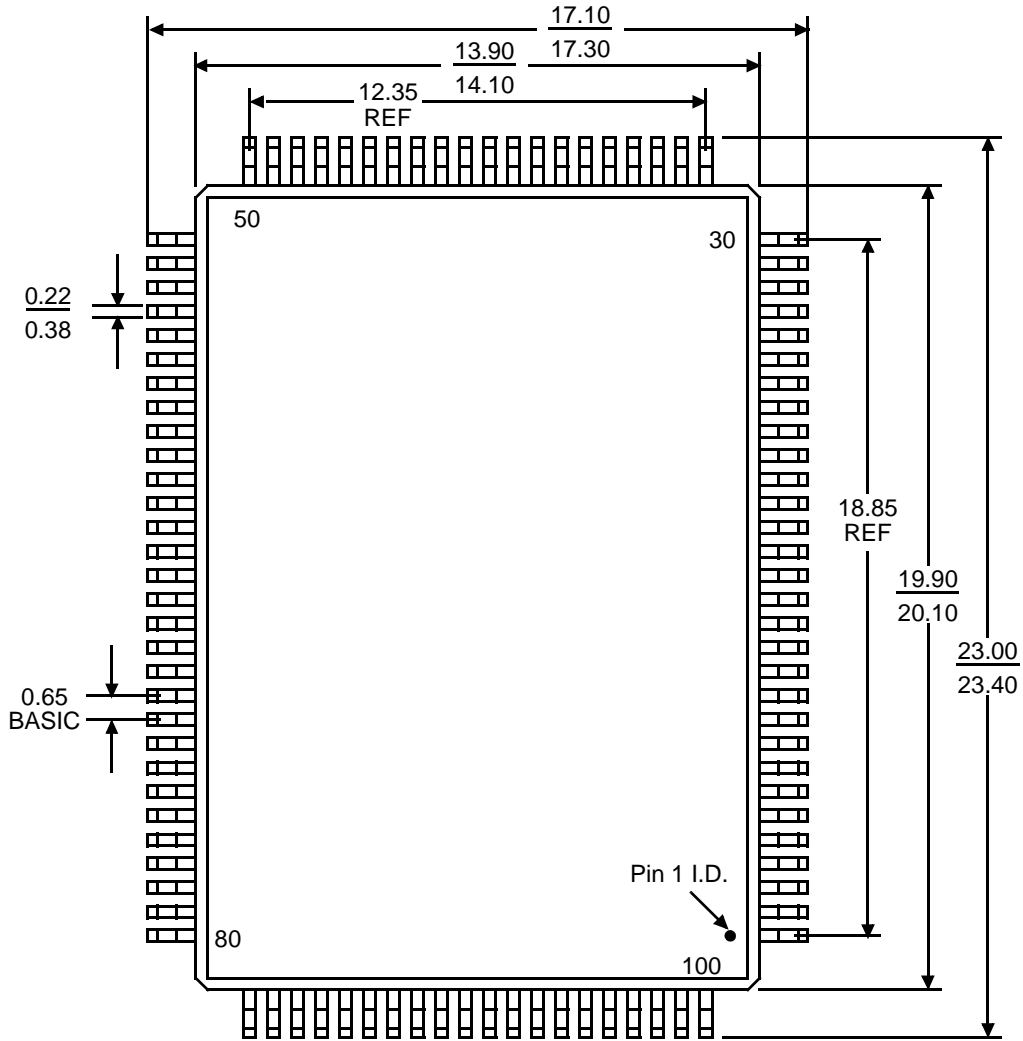
SIDE VIEW



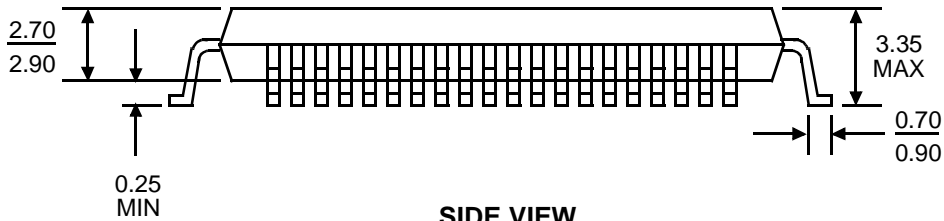
PHYSICAL DIMENSIONS*

PQR100

100-Pin Plastic Quad Flat Pack; Trimmed and Formed (measured in millimeters)



TOP VIEW



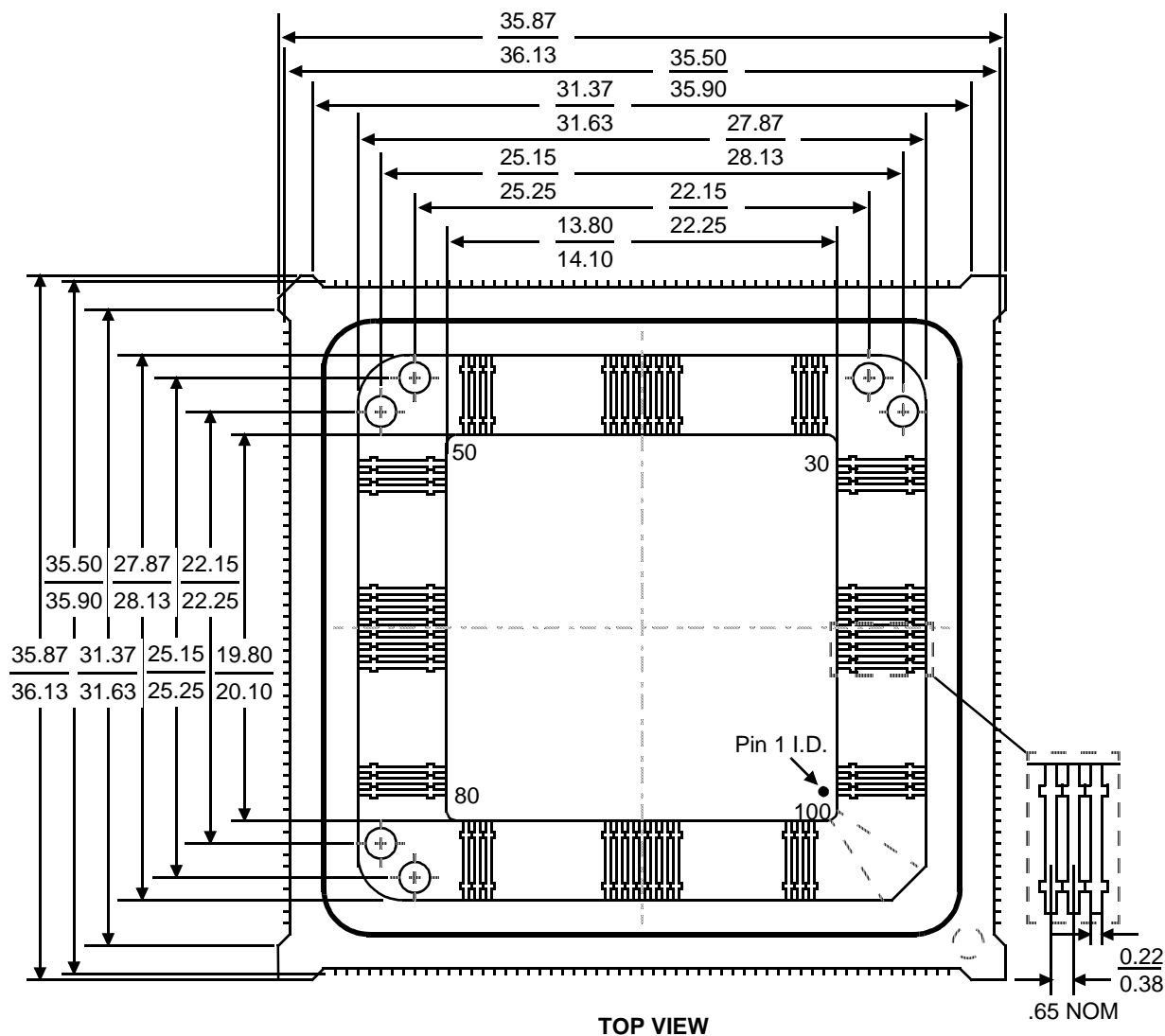
SIDE VIEW

17198A
CG 47
7/14/92 SG

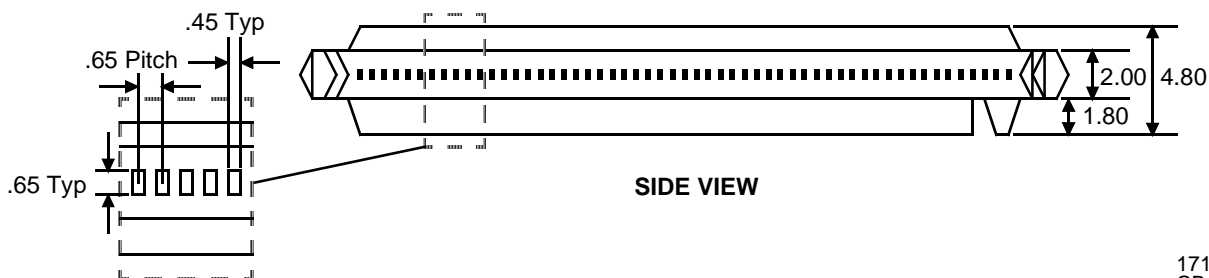
PHYSICAL DIMENSIONS

PQR100

100-Pin Plastic Quad Flat Pack with Molded Carrier Ring (measured in millimeters)



TOP VIEW



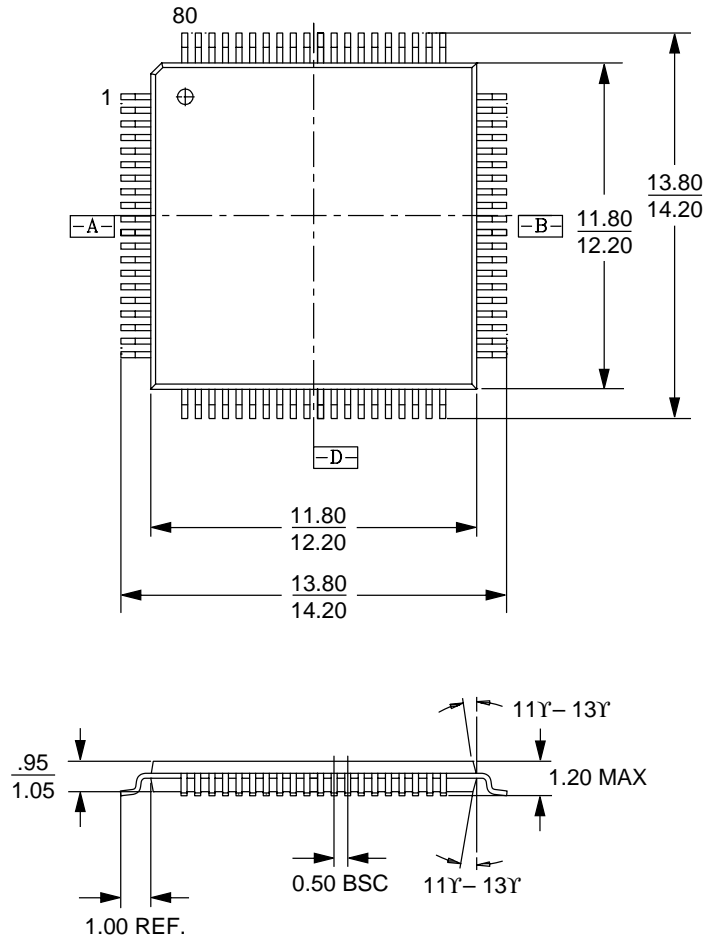
SIDE VIEW

17198A
CB 48
6/25/92 SG

PHYSICAL DIMENSIONS*

PQT080

80-Pin Thin Quad Flat Package (measured in millimeters)



Logical Address Filtering For Ethernet

The purpose of logical (or group or multicast) addresses is to allow a group of nodes in a network to receive the same message. Each node can maintain a list of multicast addresses that it will respond to. The logical address filter mechanism in AMD Ethernet controllers is a hardware aide that reduces the average amount of host computer time required to determine whether or not an incoming packet with a multicast destination address should be accepted.

The logical address filter hardware is an implementation of a hash code searching technique commonly used by software programmers. If the multicast bit in the destination address of an incoming packet is set, the hardware maps this address into one of 64 categories then accepts or rejects the packet depending on whether or not the bit in the logical address filter register corresponding the selected category is set. For example, if the address maps into category 24, and bit 24 of the logical address filter register is set, the packet is accepted.

Since there are more than 10^{14} possible multicast addresses and only 64 categories, this scheme is far from unambiguous. This means that the software will still have to compare the address of a received packet with its list of acceptable multicast addresses to make the final decision whether to accept or discard the packet. However, the hardware prevents the software from having to deal with the vast majority of the unacceptable packets.

The efficiency of this scheme depends on the number of multicast groups that are used on a particular network and the number of groups to which a node belongs. At one extreme if a node happens to belong to 64 groups that map into 64 different categories, the hardware will accept all multicast addresses, and all filtering must be done by software. At the other extreme (which is closer to a practical network), if multicast addresses are assigned by the local administrator, and fewer than 65 groups are set up, the addresses can be

assigned so that each address maps into a different category, and no software filtering will be needed at all.

In the latter case described above, a node can be made a member of several groups by setting the appropriate bits in the logical address filter register. The administrator can use the table *Mapping of Logical Address to Filter Mask* to find a multicast address that maps into a particular address filter bit. For example address 0000 0000 00BB maps into bit 15. Therefore, any node that has bit 15 set in its logical address filter register will receive all packets addressed to 0000 0000 00BB. (Addresses in this table are not shown in the standard Ethernet format. In the table the rightmost byte is the first byte to appear on the network with the least significant bit appearing first).

Driver software that manages a list of multicast addresses can work as follows. First the multicast address list and the logical address filter must be initialized. Some sort of management function such as the driver initialization routine passes to the driver a list of addresses. For each address in the list the driver uses a subroutine similar to the one listed in the Am7990 LANCE data sheet to set the appropriate bit in a software copy of the logical address filter register. When the complete list of addresses has been processed, the register is loaded.

Later, when a packet is received, the driver first looks at the Individual/Group bit of the destination address of the packet to find out whether or not this is a multicast address. If it is, the driver must search the multicast address list to see if this address is in the list. If it is not in the list, the packet is discarded.

The broadcast address, which consists of all ones is a special multicast address. Packets addressed to the broadcast address must be received by all nodes. Since broadcast packets are usually more common than other multicast packets, the broadcast address should be the first address in the multicast address list.

MAPPING OF LOGICAL ADDRESS TO FILTER MASK

Byte #	Bit #	LADRF Bit	Destination Address Accepted	Byte #	Bit #	LADRF Bit	Destination Address Accepted
0	0	0	85 00 00 00 00 00	4	0	32	21 00 00 00 00 00
0	1	1	A5 00 00 00 00 00	4	1	33	01 00 00 00 00 00
0	2	2	E5 00 00 00 00 00	4	2	34	41 00 00 00 00 00
0	3	3	C5 00 00 00 00 00	4	3	35	71 00 00 00 00 00
0	4	4	45 00 00 00 00 00	4	4	36	E1 00 00 00 00 00
0	5	5	65 00 00 00 00 00	4	5	37	C1 00 00 00 00 00
0	6	6	25 00 00 00 00 00	4	6	38	81 00 00 00 00 00
0	7	7	05 00 00 00 00 00	4	7	39	A1 00 00 00 00 00
1	0	8	2B 00 00 00 00 00	5	0	40	8F 00 00 00 00 00
1	1	9	0B 00 00 00 00 00	5	1	41	BF 00 00 00 00 00
1	2	10	4B 00 00 00 00 00	5	2	42	EF 00 00 00 00 00
1	3	11	6B 00 00 00 00 00	5	3	43	CF 00 00 00 00 00
1	4	12	EB 00 00 00 00 00	5	4	44	4F 00 00 00 00 00
1	5	13	CB 00 00 00 00 00	5	5	45	6F 00 00 00 00 00
1	6	14	8B 00 00 00 00 00	5	6	46	2F 00 00 00 00 00
1	7	15	BB 00 00 00 00 00	5	7	47	0F 00 00 00 00 00
2	0	16	C7 00 00 00 00 00	6	0	48	63 00 00 00 00 00
2	1	17	E7 00 00 00 00 00	6	1	49	43 00 00 00 00 00
2	2	18	A7 00 00 00 00 00	6	2	50	03 00 00 00 00 00
2	3	19	87 00 00 00 00 00	6	3	51	23 00 00 00 00 00
2	4	20	07 00 00 00 00 00	6	4	52	A3 00 00 00 00 00
2	5	21	27 00 00 00 00 00	6	5	53	83 00 00 00 00 00
2	6	22	67 00 00 00 00 00	6	6	54	C3 00 00 00 00 00
2	7	23	47 00 00 00 00 00	6	7	55	E3 00 00 00 00 00
3	0	24	69 00 00 00 00 00	7	0	56	CD 00 00 00 00 00
3	1	25	49 00 00 00 00 00	7	1	57	ED 00 00 00 00 00
3	2	26	09 00 00 00 00 00	7	2	58	AD 00 00 00 00 00
3	3	27	29 00 00 00 00 00	7	3	59	8D 00 00 00 00 00
3	4	28	A9 00 00 00 00 00	7	4	60	0D 00 00 00 00 00
3	5	29	89 00 00 00 00 00	7	5	61	2D 00 00 00 00 00
3	6	30	C9 00 00 00 00 00	7	6	62	6D 00 00 00 00 00
3	7	31	E9 00 00 00 00 00	7	7	63	4D 00 00 00 00 00

BSDL DESCRIPTION OF Am79C940 MACE JTAG

STRUCTURE

```
-- ----- 04 November 1996 -----
-- JWB 13-AUG-1996 changed "TQFP_PACKAGE" to "TQFP"
-- 31-OCT-1996 corrected reversed bit subscripts for ADD, DBUS !
--   and bumped chip rev version from 2 to 3
-- A separate file for TQFP only, had to be created due to the missing
--   four pins/functions on the TQFP version.
-- The compiler does not know how to handle the missing four pins/functions
--   in the TQFP version while at the same time, available for the PQFP
--   and PLCC versions. We have no further plans for going back to
--   combining both files into a single BSDL file.
--   Network Products Division Product Marketing Group
-- -----
-- BSDL File created/edited by AT&T BSD Editor
--
-- BSDE:Revision: Silicon Rev. C0; File REV A3
-- BSDE:Description: BSDL File for the AM79C940 MACE Rev C0 Product
-- BSDE:Comments: /* BSDL file for the TQFP Definition only.
--                 * BSDL file checked by AT&T's BCAD2 BSD Editor on 04/03/96
--                 */
```

entity AM79C940 is

```
generic (PHYSICAL_PIN_MAP : string := "TQFP" );
```

```
port (
  ADD: in bit_vector (4 downto 0);
  AVDD1: linkage bit;
  AVDD2: linkage bit;
  AVDD3: linkage bit;
  AVDD4: linkage bit;
```

AVSS1: linkage bit;
AVSS2: linkage bit;
BE0_L: in bit;
BE1_L: in bit;
CI0: linkage bit;
CI1: in bit;
CLSN: inout bit;
CS_L: in bit;
DBUS: inout bit_vector (15 downto 0);
DI0: linkage bit;
DI1: in bit;
DO0: linkage bit;
DO1: out bit;
DVDD1: linkage bit;
DVDD2: linkage bit;
DVDDN: linkage bit;
DVDDP: linkage bit;
DVSS1: linkage bit;
DVSS2: linkage bit;
DVSSN1: linkage bit;
DVSSN2: linkage bit;
DVSSN3: linkage bit;
DVSSP: linkage bit;
DXRCV_L: out bit;
EAM_R_L: in bit;
EDSEL: in bit;
EOF_L: inout bit;
FDS_L: in bit;
INTR_L: out bit;
LNKST_L: out bit;
RDTREQ_L: out bit;
RESET_L: in bit;
RXCRS: inout bit;
RXD0: linkage bit;
RXD1: in bit;
RXDAT: inout bit;
R_W_L: in bit;
SCLK: in bit;
SF_BD: out bit;

```

SLEEP_L: in bit;
SRDCLK: inout bit;
STDCLK: inout bit;
TCK: in bit;
TC_L: in bit;
TDI: in bit;
TDO: out bit;
TDTREQ_L: out bit;
TMS: in bit;
TXD0: linkage bit;
TXD1: out bit;
TXDAT1: inout bit;
TXEN_L: inout bit;
TXP0: linkage bit;
TXP1: out bit;
XTAL1: in bit;
XTAL2: linkage bit
);

use STD_1149_1_1990.all;

attribute PIN_MAP of AM79C940 : entity is PHYSICAL_PIN_MAP;

constant TQFP: PIN_MAP_STRING:=
"ADD:(40,39,38,37,36)," &
"AVDD1:52," &
"AVDD2:57," &
"AVDD3:64," &
"AVDD4:69," &
"AVSS1:59," &
"AVSS2:61," &
"BE0_L:31," &
"BE1_L:32," &
"CI0:67," &
"CI1:68," &
"CLSN:78," &
"CS_L:42," &
"DBUS:(27,26,24,23,22,21,20,19,18,17," &
"16,14,13,12,11,9)," &

```

"DI0:65," &
"DI1:66," &
"DO0:62," &
"DO1:63," &
"DVDD1:49," &
"DVDD2:70," &
"DVDDN:25," &
"DVDDP:6," &
"DVSS1:47," &
"DVSS2:73," &
"DVSSN1:10," &
"DVSSN2:15," &
"DVSSN3:28," &
"DVSSP:75," &
"DXRCV_L:71," &
"EAM_R_L:2," &
"EDSEL:72," &
"EOF_L:29," &
"FDS_L:30," &
"INTR_L:7," &
"LNKST_L:43," &
"RDTREQ_L:35," &
"RESET_L:4," &
"RXCRS:80," &
"RXD0:50," &
"RXD1:51," &
"RXDAT:79," &
"R_W_L:41," &
"SCLK:33," &
"SF_BD:3," &
"SLEEP_L:5," &
"SRDCLK:1," &
"STDCLK:76," &
"TCK:46," &
"TC_L:8," &
"TDI:48," &
"TDO:44," &
"TDTREQ_L:34," &
"TMS:45," &

```
"TXD0:54," &
"TXD1:56," &
"TXDAT1:74," &
"TXEN_L:77," &
"TXP0:53," &
"TXP1:55," &
"XTAL1:58," &
"XTAL2:60";

attribute TAP_SCAN_IN      of TDI : signal is true;
attribute TAP_SCAN_OUT    of TDO : signal is true;
attribute TAP_SCAN_MODE   of TMS : signal is true;
attribute TAP_SCAN_CLOCK  of TCK : signal is (1.00e+07, BOTH);
attribute INSTRUCTION_LENGTH of AM79C940 : entity is 4;

attribute INSTRUCTION_OPCODE of AM79C940 : entity is
"BYPASS ( 0110, 0111, 1000, 1001, 1010, 1011, 1100, 1101, 1110," &
" 1111)," &
"EXTEST ( 0000)," &
"IDCODE ( 0001)," &
"SAMPLE ( 0010)," &
"SELFTST ( 0101)," &
"SETBYP ( 0100)," &
"TRIBYP ( 0011)" ;

attribute INSTRUCTION_CAPTURE of AM79C940 : entity is "0001";

attribute INSTRUCTION_DISABLE of AM79C940 : entity is "TRIBYP";

attribute INSTRUCTION_PRIVATE of AM79C940 : entity is
" SELFTST";

attribute IDCODE_REGISTER of AM79C940 : entity is
"0011" &---- version      31-OCT-1996 bumped version from 2 to 3 !
"1001010000000000" &--- part number
"000000000001" &---- manufacturer's id
"1";----- required by standard

attribute REGISTER_ACCESS of AM79C940 : entity is
```

```
"BYPASS ( BYPASS, SETBYP, TRIBYP)," &  
"BOUNDARY ( EXTEST, SAMPLE, SELFTST)," &  
"IDCODE ( IDCODE)";
```

```
attribute BOUNDARY_CELLS of AM79C940 : entity is  
" BC_1, BC_4";
```

```
attribute BOUNDARY_LENGTH of AM79C940 : entity is 99;
```

```
attribute BOUNDARY_REGISTER of AM79C940 : entity is
```

```
" 0 (BC_1, *, control, 0)," &  
" 1 (BC_1, LNKST_L, output3, X, 0, 0, Weak1)," &  
" 2 (BC_1, *, internal, 0)," &  
" 3 (BC_1, CS_L, input, 1)," &  
" 4 (BC_1, R_W_L, input, 1)," &  
" 5 (BC_1, ADD(4), input, 0)," &  
" 6 (BC_1, ADD(3), input, 0)," &  
" 7 (BC_1, ADD(2), input, 0)," &  
" 8 (BC_1, ADD(1), input, 0)," &  
" 9 (BC_1, ADD(0), input, 0)," &  
" 10 (BC_1, *, control, 0)," &  
" 11 (BC_1, RDTREQ_L, output3, X, 10, 0, Z)," &  
" 12 (BC_1, TDTREQ_L, output3, X, 10, 0, Z)," &  
" 13 (BC_4, SCLK, clock, 1)," &  
" 14 (BC_1, BE1_L, input, 1)," &  
" 15 (BC_1, BE0_L, input, 1)," &  
" 16 (BC_1, FDS_L, input, 1)," &  
" 17 (BC_1, *, internal, 0)," &  
" 18 (BC_1, *, internal, 0)," &  
" 19 (BC_1, *, control, 0)," &  
" 20 (BC_1, EOF_L, output3, X, 19, 0, Z)," &  
" 21 (BC_1, EOF_L, input, 1)," &  
" 22 (BC_1, *, control, 0)," &  
" 23 (BC_1, DBUS(15), output3, X, 22, 0, Z)," &  
" 24 (BC_1, DBUS(15), input, 0)," &  
" 25 (BC_1, DBUS(14), output3, X, 22, 0, Z)," &  
" 26 (BC_1, DBUS(14), input, 0)," &  
" 27 (BC_1, DBUS(13), output3, X, 22, 0, Z)," &  
" 28 (BC_1, DBUS(13), input, 0)," &
```



```

" 29 (BC_1, DBUS(12), output3, X, 22, 0, Z)," &
" 30 (BC_1, DBUS(12), input, 0)," &
" 31 (BC_1, DBUS(11), output3, X, 22, 0, Z)," &
" 32 (BC_1, DBUS(11), input, 0)," &
" 33 (BC_1, DBUS(10), output3, X, 22, 0, Z)," &
" 34 (BC_1, DBUS(10), input, 0)," &
" 35 (BC_1, *, control, 0)," &
" 36 (BC_1, DBUS(9), output3, X, 35, 0, Z)," &
" 37 (BC_1, DBUS(9), input, 0)," &
" 38 (BC_1, DBUS(8), output3, X, 35, 0, Z)," &
" 39 (BC_1, DBUS(8), input, 0)," &
" 40 (BC_1, DBUS(7), output3, X, 35, 0, Z)," &
" 41 (BC_1, DBUS(7), input, 0)," &
" 42 (BC_1, DBUS(6), output3, X, 35, 0, Z)," &
" 43 (BC_1, DBUS(6), input, 0)," &
" 44 (BC_1, DBUS(5), output3, X, 35, 0, Z)," &
" 45 (BC_1, DBUS(5), input, 0)," &
" 46 (BC_1, DBUS(4), output3, X, 35, 0, Z)," &
" 47 (BC_1, DBUS(4), input, 0)," &
" 48 (BC_1, DBUS(3), output3, X, 35, 0, Z)," &
" 49 (BC_1, DBUS(3), input, 0)," &
" 50 (BC_1, DBUS(2), output3, X, 35, 0, Z)," &
" 51 (BC_1, DBUS(2), input, 0)," &
" 52 (BC_1, DBUS(1), output3, X, 35, 0, Z)," &
" 53 (BC_1, DBUS(1), input, 0)," &
" 54 (BC_1, DBUS(0), output3, X, 35, 0, Z)," &
" 55 (BC_1, DBUS(0), input, 0)," &
" 56 (BC_1, TC_L, input, 1)," &
" 57 (BC_1, *, control, 0)," &
" 58 (BC_1, INTR_L, output3, 1, 57, 0, Weak1)," &
" 59 (BC_1, SLEEP_L, input, 1)," &
" 60 (BC_1, RESET_L, input, 1)," &
" 61 (BC_1, *, control, 0)," &
" 62 (BC_1, SF_BD, output3, X, 61, 0, Z)," &
" 63 (BC_1, *, internal, 0)," &
" 64 (BC_1, EAM_R_L, input, 0)," &
" 65 (BC_1, *, control, 0)," &
" 66 (BC_1, SRDCLK, output3, X, 65, 0, Z)," &
" 67 (BC_1, SRDCLK, input, 0)," &

```

```
" 68 (BC_1, *, control, 0)," &
" 69 (BC_1, RXCRS, output3, X, 68, 0, Z)," &
" 70 (BC_1, RXCRS, input, 0)," &
" 71 (BC_1, *, control, 0)," &
" 72 (BC_1, RXDAT, output3, X, 71, 0, Z)," &
" 73 (BC_1, RXDAT, input, 0)," &
" 74 (BC_1, *, control, 0)," &
" 75 (BC_1, CLSN, output3, X, 74, 0, Z)," &
" 76 (BC_1, CLSN, input, 0)," &
" 77 (BC_1, *, control, 0)," &
" 78 (BC_1, TXEN_L, output3, X, 77, 0, Z)," &
" 79 (BC_1, TXEN_L, input, 0)," &
" 80 (BC_1, *, control, 0)," &
" 81 (BC_1, STDCLK, output3, X, 80, 0, Z)," &
" 82 (BC_1, STDCLK, input, 0)," &
" 83 (BC_1, *, control, 0)," &
" 84 (BC_1, *, internal, 0)," &
" 85 (BC_1, TXDAT1, output3, X, 83, 0, Z)," &
" 86 (BC_1, TXDAT1, input, 1)," &
" 87 (BC_1, EDSEL, input, 1)," &
" 88 (BC_1, *, control, 0)," &
" 89 (BC_1, DXRCV_L, output3, X, 88, 0, Z)," &
" 90 (BC_4, XTAL1, clock, 0)," &
" 91 (BC_1, RXD1, input, 1)," &
" 92 (BC_1, *, control, 0)," &
" 93 (BC_1, TXP1, output3, X, 92, 0, Z)," &
" 94 (BC_1, TXD1, output3, X, 92, 0, Z)," &
" 95 (BC_1, *, control, 0)," &
" 96 (BC_1, DO1, output3, X, 95, 0, Z)," &
" 97 (BC_4, DI1, input, 1)," &
" 98 (BC_4, CI1, input, 1)";
```

end AM79C940;

=====

```

--
-- BSDL File created/edited by AT&T BSD Editor
--
-- BSDE:Revision: Silicon Rev. C0; File REV A3
-- BSDE:Description: BSDL File for the AM79C940 MACE Product;
--      84-Pin PLCC and 100-Pin PQFP packages.
--      Separate file for 80-Pin TQFP package.
-- BSDE:Comments: /* TQFP Definition has been deleted.
--      * BSDL file checked by AT&T's BCAD2 BSD Editor on 9/7/95
--      */

```

```
entity AM79C940 is
```

```
generic (PHYSICAL_PIN_MAP : string := "PLCC_PACKAGE" );
```

```
port (
ADD: in bit_vector (0 to 4);
AVDD1: linkage bit;
AVDD2: linkage bit;
AVDD3: linkage bit;
AVDD4: linkage bit;
AVSS1: linkage bit;
AVSS2: linkage bit;
BE0_L: in bit;
BE1_L: in bit;
CI0: linkage bit;
CI1: in bit;
CLSN: inout bit;
CS_L: in bit;
DBUS: inout bit_vector (0 to 15);
DI0: linkage bit;
DI1: in bit;
DO0: linkage bit;
DO1: out bit;
DTV_L: out bit;
DVDD1: linkage bit;
DVDD2: linkage bit;
DVDDN: linkage bit;
DVDDP: linkage bit;

```

DVSS1: linkage bit;
DVSS2: linkage bit;
DVSSN1: linkage bit;
DVSSN2: linkage bit;
DVSSN3: linkage bit;
DVSSP: linkage bit;
DXRCV_L: out bit;
EAM_R_L: in bit;
EDSEL: in bit;
EOF_L: inout bit;
FDS_L: in bit;
INTR_L: out bit;
LNKST_L: out bit;
RDTREQ_L: out bit;
RESET_L: in bit;
RXCRS: inout bit;
RXD0: linkage bit;
RXD1: in bit;
RXDAT: inout bit;
RXPOL_L: out bit;
R_W_L: in bit;
SCLK: in bit;
SF_BD: out bit;
SLEEP_L: in bit;
SRD: out bit;
SRDCLK: inout bit;
STDCLK: inout bit;
TCK: in bit;
TC_L: in bit;
TDI: in bit;
TDO: out bit;
TDTREQ_L: out bit;
TMS: in bit;
TXD0: linkage bit;
TXD1: out bit;
TXDAT0: out bit;
TXDAT1: inout bit;
TXEN_L: inout bit;
TXP0: linkage bit;

```
TXP1: out bit;
XTAL1: in bit;
XTAL2: linkage bit
);

use STD_1149_1_1990.all;

attribute PIN_MAP of AM79C940 : entity is PHYSICAL_PIN_MAP;

constant PLCC_PACKAGE: PIN_MAP_STRING:=
"ADD:(49,50,51,52,53)," &
"AVDD1:66," &
"AVDD2:71," &
"AVDD3:78," &
"AVDD4:83," &
"AVSS1:73," &
"AVSS2:75," &
"BE0_L:44," &
"BE1_L:45," &
"CI0:81," &
"CI1:82," &
"CLSN:9," &
"CS_L:55," &
"DBUS:(21,23,24,25,26,28,29,30,31,32," &
"33,34,35,36,38,39)," &
"DI0:79," &
"DI1:80," &
"DO0:76," &
"DO1:77," &
"DTV_L:42," &
"DVDD1:63," &
"DVDD2:84," &
"DVDDN:37," &
"DVDDP:18," &
"DVSS1:61," &
"DVSS2:3," &
"DVSSN1:22," &
"DVSSN2:27," &
"DVSSN3:40," &
```

```
"DVSSP:6," &
"DXRCV_L:1," &
"EAM_R_L:13," &
"EDSEL:2," &
"EOF_L:41," &
"FDS_L:43," &
"INTR_L:19," &
"LNKST_L:57," &
"RDTREQ_L:48," &
"RESET_L:16," &
"RXCRS:11," &
"RXD0:64," &
"RXD1:65," &
"RXDAT:10," &
"RXPOL_L:56," &
"R_W_L:54," &
"SCLK:46," &
"SF_BD:15," &
"SLEEP_L:17," &
"SRD:14," &
"SRDCLK:12," &
"STDCLK:7," &
"TCK:60," &
"TC_L:20," &
"TDI:62," &
"TDO:58," &
"TDTRREQ_L:47," &
"TMS:59," &
"TXD0:68," &
"TXD1:70," &
"TXDAT0:5," &
"TXDAT1:4," &
"TXEN_L:8," &
"TXP0:67," &
"TXP1:69," &
"XTAL1:72," &
"XTAL2:74";
```

```
constant PQFP_PACKAGE: PIN_MAP_STRING:=
```

```
"ADD:(46,47,48,49,50)," &
"AVDD1:67," &
"AVDD2:72," &
"AVDD3:83," &
"AVDD4:88," &
"AVSS1:74," &
"AVSS2:79," &
"BE0_L:41," &
"BE1_L:42," &
"CI0:86," &
"CI1:87," &
"CLSN:98," &
"CS_L:56," &
"DBUS:(14,16,17,18,19,21,22,23,24,25," &
"29,31,32,33,35,36)," &
"DI0:84," &
"DI1:85," &
"DO0:81," &
"DO1:82," &
"DTV_L:39," &
"DVDD1:64," &
"DVDD2:89," &
"DVDDN:34," &
"DVDDP:11," &
"DVSS1:62," &
"DVSS2:92," &
"DVSSN1:15," &
"DVSSN2:20," &
"DVSSN3:37," &
"DVSSP:95," &
"DXRCV_L:90," &
"EAM_R_L:6," &
"EDSEL:91," &
"EOF_L:38," &
"FDS_L:40," &
"INTR_L:12," &
"LNKST_L:58," &
"RDTRREQ_L:45," &
"RESET_L:9," &
```

```
"RXCRS:100," &
"RXD0:65," &
"RXD1:66," &
"RXDAT:99," &
"RXPOL_L:57," &
"R_W_L:55," &
"SCLK:43," &
"SF_BD:8," &
"SLEEP_L:10," &
"SRD:7," &
"SRDCLK:5," &
"STDCLK:96," &
"TCK:61," &
"TC_L:13," &
"TDI:63," &
"TDO:59," &
"TDTREQ_L:44," &
"TMS:60," &
"TXD0:69," &
"TXD1:71," &
"TXDAT0:94," &
"TXDAT1:93," &
"TXEN_L:97," &
"TXP0:68," &
"TXP1:70," &
"XTAL1:73," &
"XTAL2:75";
```

```
attribute TAP_SCAN_IN    of TDI : signal is true;
attribute TAP_SCAN_OUT  of TDO : signal is true;
attribute TAP_SCAN_MODE of TMS : signal is true;
attribute TAP_SCAN_CLOCK of TCK : signal is (1.00e+07, BOTH);
attribute INSTRUCTION_LENGTH of AM79C940 : entity is 4;
```

```
attribute INSTRUCTION_OPCODE of AM79C940 : entity is
"BYPASS ( 0110, 0111, 1000, 1001, 1010, 1011, 1100, 1101, 1110," &
" 1111)," &
"EXTEST ( 0000)," &
"IDCODE ( 0001)," &
```



```

"SAMPLE ( 0010)," &
"SELFTST ( 0101)," &
"SETBYP ( 0100)," &
"TRIBYP ( 0011)" ;

attribute INSTRUCTION_CAPTURE of AM79C940 : entity is "0001";

attribute INSTRUCTION_DISABLE of AM79C940 : entity is "TRIBYP";

attribute INSTRUCTION_PRIVATE of AM79C940 : entity is
" SELFTST";

attribute IDCODE_REGISTER of AM79C940 : entity is
"0011" &-- version
"1001010000000000" &-- part number
"000000000001" &-- manufacturer's id
"1";-- required by standard

attribute REGISTER_ACCESS of AM79C940 : entity is
"BYPASS ( BYPASS, SETBYP, TRIBYP)," &
"BOUNDARY ( EXTEST, SAMPLE, SELFTST)," &
"IDCODE ( IDCODE)";

attribute BOUNDARY_CELLS of AM79C940 : entity is
" BC_1, BC_4";

attribute BOUNDARY_LENGTH of AM79C940 : entity is 99;

attribute BOUNDARY_REGISTER of AM79C940 : entity is
" 0 (BC_1, *, control, 0)," &
" 1 (BC_1, LNKST_L, output3, X, 0, 0, Weak1)," &
" 2 (BC_1, RXPOL_L, output3, X, 0, 0, Weak1)," &
" 3 (BC_1, CS_L, input, 1)," &
" 4 (BC_1, R_W_L, input, 1)," &
" 5 (BC_1, ADD(4), input, 0)," &
" 6 (BC_1, ADD(3), input, 0)," &
" 7 (BC_1, ADD(2), input, 0)," &
" 8 (BC_1, ADD(1), input, 0)," &
" 9 (BC_1, ADD(0), input, 0)," &

```

```
" 10 (BC_1, *, control, 0)," &
" 11 (BC_1, RDTREQ_L, output3, X, 10, 0, Z)," &
" 12 (BC_1, TDTREQ_L, output3, X, 10, 0, Z)," &
" 13 (BC_4, SCLK, clock, 1)," &
" 14 (BC_1, BE1_L, input, 1)," &
" 15 (BC_1, BE0_L, input, 1)," &
" 16 (BC_1, FDS_L, input, 1)," &
" 17 (BC_1, *, control, 0)," &
" 18 (BC_1, DTV_L, output3, X, 17, 0, Z)," &
" 19 (BC_1, *, control, 0)," &
" 20 (BC_1, EOF_L, output3, X, 19, 0, Z)," &
" 21 (BC_1, EOF_L, input, 1)," &
" 22 (BC_1, *, control, 0)," &
" 23 (BC_1, DBUS(15), output3, X, 22, 0, Z)," &
" 24 (BC_1, DBUS(15), input, 0)," &
" 25 (BC_1, DBUS(14), output3, X, 22, 0, Z)," &
" 26 (BC_1, DBUS(14), input, 0)," &
" 27 (BC_1, DBUS(13), output3, X, 22, 0, Z)," &
" 28 (BC_1, DBUS(13), input, 0)," &
" 29 (BC_1, DBUS(12), output3, X, 22, 0, Z)," &
" 30 (BC_1, DBUS(12), input, 0)," &
" 31 (BC_1, DBUS(11), output3, X, 22, 0, Z)," &
" 32 (BC_1, DBUS(11), input, 0)," &
" 33 (BC_1, DBUS(10), output3, X, 22, 0, Z)," &
" 34 (BC_1, DBUS(10), input, 0)," &
" 35 (BC_1, *, control, 0)," &
" 36 (BC_1, DBUS(9), output3, X, 35, 0, Z)," &
" 37 (BC_1, DBUS(9), input, 0)," &
" 38 (BC_1, DBUS(8), output3, X, 35, 0, Z)," &
" 39 (BC_1, DBUS(8), input, 0)," &
" 40 (BC_1, DBUS(7), output3, X, 35, 0, Z)," &
" 41 (BC_1, DBUS(7), input, 0)," &
" 42 (BC_1, DBUS(6), output3, X, 35, 0, Z)," &
" 43 (BC_1, DBUS(6), input, 0)," &
" 44 (BC_1, DBUS(5), output3, X, 35, 0, Z)," &
" 45 (BC_1, DBUS(5), input, 0)," &
" 46 (BC_1, DBUS(4), output3, X, 35, 0, Z)," &
" 47 (BC_1, DBUS(4), input, 0)," &
" 48 (BC_1, DBUS(3), output3, X, 35, 0, Z)," &
```

```
" 49 (BC_1, DBUS(3), input, 0)," &
" 50 (BC_1, DBUS(2), output3, X, 35, 0, Z)," &
" 51 (BC_1, DBUS(2), input, 0)," &
" 52 (BC_1, DBUS(1), output3, X, 35, 0, Z)," &
" 53 (BC_1, DBUS(1), input, 0)," &
" 54 (BC_1, DBUS(0), output3, X, 35, 0, Z)," &
" 55 (BC_1, DBUS(0), input, 0)," &
" 56 (BC_1, TC_L, input, 1)," &
" 57 (BC_1, *, control, 0)," &
" 58 (BC_1, INTR_L, output3, 1, 57, 0, Weak1)," &
" 59 (BC_1, SLEEP_L, input, 1)," &
" 60 (BC_1, RESET_L, input, 1)," &
" 61 (BC_1, *, control, 0)," &
" 62 (BC_1, SF_BD, output3, X, 61, 0, Z)," &
" 63 (BC_1, SRD, output3, X, 61, 0, Z)," &
" 64 (BC_1, EAM_R_L, input, 0)," &
" 65 (BC_1, *, control, 0)," &
" 66 (BC_1, SRDCLK, output3, X, 65, 0, Z)," &
" 67 (BC_1, SRDCLK, input, 0)," &
" 68 (BC_1, *, control, 0)," &
" 69 (BC_1, RXCRS, output3, X, 68, 0, Z)," &
" 70 (BC_1, RXCRS, input, 0)," &
" 71 (BC_1, *, control, 0)," &
" 72 (BC_1, RXDAT, output3, X, 71, 0, Z)," &
" 73 (BC_1, RXDAT, input, 0)," &
" 74 (BC_1, *, control, 0)," &
" 75 (BC_1, CLSN, output3, X, 74, 0, Z)," &
" 76 (BC_1, CLSN, input, 0)," &
" 77 (BC_1, *, control, 0)," &
" 78 (BC_1, TXEN_L, output3, X, 77, 0, Z)," &
" 79 (BC_1, TXEN_L, input, 0)," &
" 80 (BC_1, *, control, 0)," &
" 81 (BC_1, STDCLK, output3, X, 80, 0, Z)," &
" 82 (BC_1, STDCLK, input, 0)," &
" 83 (BC_1, *, control, 0)," &
" 84 (BC_1, TXDAT0, output3, X, 83, 0, Z)," &
" 85 (BC_1, TXDAT1, output3, X, 83, 0, Z)," &
" 86 (BC_1, TXDAT1, input, 1)," &
" 87 (BC_1, EDSEL, input, 1)," &
```

```
" 88 (BC_1, *, control, 0)," &
" 89 (BC_1, DXRCV_L, output3, X, 88, 0, Z)," &
" 90 (BC_4, XTAL1, clock, 0)," &
" 91 (BC_1, RXD1, input, 1)," &
" 92 (BC_1, *, control, 0)," &
" 93 (BC_1, TXP1, output3, X, 92, 0, Z)," &
" 94 (BC_1, TXD1, output3, X, 92, 0, Z)," &
" 95 (BC_1, *, control, 0)," &
" 96 (BC_1, DO1, output3, X, 95, 0, Z)," &
" 97 (BC_4, DI1, input, 1)," &
" 98 (BC_4, CI1, input, 1)";

end AM79C940;
```

Am79C940 MACE Rev C0 Silicon Errata

The items below are the known errata for Rev C0 silicon. Rev C0 is the production silicon.

The enclosed is a list of known errata's encountered with the MACE Rev C0 device. Each of these errata's is provided with description, implication, and workaround (if possible). Where the errata was published in a previous errata list, is so noted. Other than those listed exceptions below that have not been fixed, the MACE Rev C0 production device is fully functional.

The "**Description**" section of the errata gives a brief description of the problem. The "**Implication**" section of the errata describes the effects of the problem in a system configuration. The "**Workaround**" section of the errata describes methods to minimize the system effects. The "**Status**" section of the errata describes when and how the problem will be corrected.

Current package marking for this revision: Line 1: <Logo>
Line 2: Am79C940BKC (Assuming package is PQFP)
Line 3: <Date Code>
Line 4: (c) 1992 AMD

Value of CHIPID register for this revision: CHIPID[15:00] = 3940h

1) Receive Fragment Frame Treated as a New Packet Even After Receive FIFO Overflows:

Description: The MACE device continues to receive the remains of a long packet even after the receive FIFO overflows. If this data stream has the 'Start of Frame' (SFD) bit pattern "10101011" (and no "00" bit pattern before the "SFD" pattern) and the destination address field of the packet matches the station address after the SFD bit pattern, or if the MACE device is in promiscuous mode, the remaining portion of the long packet will be received and treated by the MACE device as a new packet even though the receive status will show an FCS error.

Implication: There is no impact of any kind if the receive FIFO overflow is not permitted by the system design. The likelihood of such an occurrence of the above conditions is extremely remote. Should this condition occur, this will impact performance only in products using the "cut-through" method. This is because the "cut-through" method will not look at the FCS field, which would indicate an error in the packet received.

Workaround: Check for FCS error after the packet is received.

Status: No current plan to fix this item.

2) In Low Latency Receive Mode, Loses Synchronization When Connected to a Coaxial Transceiver via the AUI Port:

Description: In low latency receive mode, the MACE device loses synchronization when connected to a coaxial (10BASE2) transceiver. The problem occurs when connecting the MACE to a coaxial transceiver via the AUI interface, and at the same time the MACE device is programmed into low latency receive mode. When a collision occurs in the media and if MACE device continues to receive data, after the collision is ended, the MACE device loses synchronization.

Implication: No performance impact to the MACE device if the 10BASE-T port is used instead of a 10BASE2 coaxial transceiver connected to the AUI port of the MACE device.

Workaround: This condition is being validated at this time. In the meantime, it is recommended that if the product is to be used in a network topology where a 10BASE2 coaxial transceiver is connected to the AUI port, care must be exercised to avoid using the MACE device in low latency receiver mode.

Status: No current plan to fix this item.

3) Flashing LED for Link Status:

Description: When TMAU receiver is receiving negative polarity link pulse, and the automatic polarity correction algorithm (DAPC bit in PHY Configuration Control Register) is disabled, link test state machine will loop between 'link fail' and 'link pass' state causing the Link Status LED to flash.

Implication: There is no impact to system performance. However, the Link Status LED flashing may cause an erroneous interpretation by the user.

Workaround: There is no workaround.

Status: No current plan to fix this item.

4) Incorrect Runt Packet Count in Low Latency Receive Mode:

Description: In Low Latency Receive mode, the MACE Runt Packet count is incremented when the receive packet is less than 12 bytes. The correct runt packet count should always be incremented when the receive packet is less than 64 bytes.

Implication: There is no impact on system performance if the runt packet count is not being utilized by the system.

Workaround: This condition is being validated at this time. Therefore, a workaround for this is to be determined.

5) Device Failure at 1.25 MHz System Clock:

Description: MACE device does not function reliability at system clock speed of less than 5MHz due to architecture constraints.

Implication: There is no performance impact since the serial clock is still running at the IEEE specified 10MHz.

Workarounds:

1. Avoid operating the MACE device at speeds of less than 5MHz.
2. Send one packet at a time. Essentially, write one packet to the transmit FIFO, let the Mace device transmit that packet, wait for the transmit complete interrupt, before writing another packet to the transmit FIFO.

Status: No current plan to fix this item.

6) False BABL errors generated:

Description: The MACE device will intermittently give BABL error indications when the network traffic has frames equal to or greater than 1518 bytes.

Implication: False BABL errors on the receiving station can be passed up to the upper layer software if MACE device is just coming out of deferral and the multi-purpose counter used to count the number of bytes received reaches 1518 at the same time. If the network is heavily loaded with full-size frames, then the probability of a false BABL error is high.

Workaround: There are two possible workarounds.

1. If the user has no intention to transmit frames larger than 1518 bytes, then the BABL bit may be masked to ignore babble errors. In this case the false babble error will not cause an interrupt, nor will it be passed to the higher level software.
2. Check to see if the device is transmitting in ISR (Interrupt Service Routine), which is induced by the BABL error. The BCRs which control the LED settings can be programmed to indicate a transmit activity, assuming the interrupt latency is not longer than one minimum IFG (inter-frame gap) time.

If (ISR_LATENCY < 9.6 us)

True_bable_err = BABL * (TINT + XMT_LED)

{ i.e. False_bable_err = ~ (BABL * (TINT + XMT_LED))}

else

Cannot tell if the BABL error is true or false just by reading BABL, TINT, XMT_LED bits in ISR.

Status: No current plan to fix this item.

