



**Genesys Logic, Inc.**

---

**GL852**

**USB 2.0**

**MTT**

**HUB Controller**

**Datasheet**  
**Revision 1.14**  
**Jul. 19, 2007**



## Copyright:

Copyright © 2007 Genesys Logic Incorporated. All rights reserved. No part of the materials may be reproduced in any form or by any means without prior written consent of Genesys Logic, Inc.

## Disclaimer:

ALL MATERIALS ARE PROVIDED "AS IS" WITHOUT EXPRESS OR IMPLIED WARRANTY OF ANY KIND. NO LICENSE OR RIGHT IS GRANTED UNDER ANY PATENT OR TRADEMARK OF GENESYS LOGIC INC.. GENESYS LOGIC HEREBY DISCLAIMS ALL WARRANTIES AND CONDITIONS IN REGARD TO MATERIALS, INCLUDING ALL WARRANTIES, IMPLIED OR EXPRESS, OF MERCHANTABILITY, FITNESS FOR ANY PARTICULAR PURPOSE, AND NON-INFRINGEMENT OF INTELLECTUAL PROPERTY. IN NO EVENT SHALL GENESYS LOGIC BE LIABLE FOR ANY DAMAGES INCLUDING, WITHOUT LIMITATION, DAMAGES RESULTING FROM LOSS OF INFORMATION OR PROFITS. PLEASE BE ADVISED THAT THE MATERIALS MAY CONTAIN ERRORS OR OMMISIONS. GENESYS LOGIC MAY MAKE CHANGES TO THE MATERIALS OR TO THE PRODUCTS DESCRIBED THEREIN AT ANY TIME WITHOUT NOTICE.

## Trademarks:



is a registered trademark of Genesys Logic, Inc.  
All trademarks are the properties of their respective owners.

## Office:

### Genesys Logic, Inc.

12F, No. 205, Sec. 3, Beishin Rd., Shindian City,  
Taipei, Taiwan  
Tel: (886-2) 8913-1888  
Fax: (886-2) 6629-6168

<http://www.genesyslogic.com>

## Revision History

Revision	Date	Description
1.00	07/07/2005	First Formal release
1.01	09/07/2005	Modify Pin Description, table3.3, p.12
1.02	09/15/2005	Modify HUB Interface ,table3.3 Pin Description, p.12
1.03	12/28/2005	Modify Pin List and Pin Descriptions of EE_CS, EE_DI, EE_SK, p.11~12
1.04	01/19/2006	Add AC Characteristics, Ch6.5, p.26
1.05	03/29/2006	Add Input Voltage for digital I/O(Ovcur1-4,Pself,Reset) pins, p.23
1.06	06/15/2006	Changed GL852-N to GL852 1.GL852 48 Pin Pinout, Pin List, Pin Description, p.10~13 Add GL852 QFN 48PIN
1.07	07/18/2006	Modify GL852 48 Pin QFN Package, p.30
1.08	09/05/2006	Modify Clock and Reset Interface of GL852 48 pin to 64 pin, p.14
1.09	11/03/2006	Modify 93C46 Configuration, Table 5.1, p.22
1.10	12/08/2006	Modify General Description, Ch1, p.7
1.11	03/12/2007	Modify RESET# Setting, Ch5.2.1, p.18
1.12	05/03/2007	Add “T <sub>J</sub> ”, Table 6.2, p.24
1.13	05/16/2007	Add “ $\theta_{JA}$ ”, Table 6.2, p.24
1.14	07/19/2007	Modify PGANG/SUSPND Setting, Ch5.2.2, p.19



## TABLE OF CONTENTS

<b>CHAPTER 1</b>	<b>GENERAL DESCRIPTION.....</b>	<b>7</b>
<b>CHAPTER 2</b>	<b>FEATURES .....</b>	<b>8</b>
<b>CHAPTER 3</b>	<b>PIN ASSIGNMENT .....</b>	<b>9</b>
<b>3.1</b>	<b>PINOUTS.....</b>	<b>9</b>
<b>3.2</b>	<b>PIN LIST.....</b>	<b>12</b>
<b>3.3</b>	<b>PIN DESCRIPTIONS .....</b>	<b>13</b>
<b>CHAPTER 4</b>	<b>BLOCK DIAGRAM.....</b>	<b>15</b>
<b>CHAPTER 5</b>	<b>FUNCTION DESCRIPTION .....</b>	<b>16</b>
<b>5.1</b>	<b>GENERAL.....</b>	<b>16</b>
<b>5.2</b>	<b>CONFIGURATION AND I/O SETTINGS.....</b>	<b>18</b>
<b>CHAPTER 6</b>	<b>ELECTRICAL CHARACTERISTICS.....</b>	<b>24</b>
<b>6.1</b>	<b>MAXIMUM RATINGS.....</b>	<b>24</b>
<b>6.2</b>	<b>OPERATING RANGES.....</b>	<b>24</b>
<b>6.3</b>	<b>DC CHARACTERISTICS .....</b>	<b>24</b>
<b>6.4</b>	<b>POWER CONSUMPTION .....</b>	<b>26</b>
<b>6.5</b>	<b>AC CHARACTERISTICS .....</b>	<b>27</b>
<b>CHAPTER 7</b>	<b>PACKAGE DIMENSION.....</b>	<b>28</b>
<b>CHAPTER 8</b>	<b>ORDERING INFORMATION .....</b>	<b>31</b>

## **LIST OF FIGURES**

<b>FIGURE 3.1 – GL852 64 PIN LQFP PINOUT DIAGRAM.....</b>	<b>9</b>
<b>FIGURE 3.2 – GL852 48 PIN LQFP PINOUT DIAGRAM.....</b>	<b>10</b>
<b>FIGURE 3.2 – GL852 48 PIN QFN PINOUT DIAGRAM.....</b>	<b>11</b>
<b>FIGURE 4.1 - GL852 BLOCK DIAGRAM (MULTIPLE TT) .....</b>	<b>15</b>
<b>FIGURE 5.1 - OPERATING IN USB 1.1 SCHEME.....</b>	<b>17</b>
<b>FIGURE 5.2 - OPERATING IN USB 2.0 SCHEME.....</b>	<b>18</b>
<b>FIGURE 5.3 - RESET# (EXTERNAL RESET) SETTING AND APPLICATION.....</b>	<b>19</b>
<b>FIGURE 5.4 - POWER ON SEQUENCE OF GL852.....</b>	<b>19</b>
<b>FIGURE 5.5 - TIMING OF PGANG/SUSPND STRAPPING .....</b>	<b>20</b>
<b>FIGURE 5.6 - GANG MODE SETTING.....</b>	<b>20</b>
<b>FIGURE 5.7 - SELF/BUS POWER SETTING .....</b>	<b>21</b>
<b>FIGURE 5.8 - LED CONNECTION .....</b>	<b>21</b>
<b>FIGURE 5.9 - SCHEMATICS BETWEEN GL852 AND 93C46.....</b>	<b>23</b>
<b>FIGURE 7.1 - GL852 64 PIN LQFP PACKAGE.....</b>	<b>28</b>
<b>FIGURE 7.2 – GL852 48 PIN LQFP PACKAGE.....</b>	<b>29</b>
<b>FIGURE 7.2 – GL852 48 PIN QFN PACKAGE .....</b>	<b>30</b>

## **LIST OF TABLES**

<b>TABLE 3.1 – GL852 64 PIN LIST .....</b>	<b>12</b>
<b>TABLE 3.2 – GL852 48 PIN LIST .....</b>	<b>12</b>
<b>TABLE 3.3 - PIN DESCRIPTIONS .....</b>	<b>13</b>
<b>TABLE 5.1 - 93C46 CONFIGURATION .....</b>	<b>22</b>
<b>TABLE 6.1 - MAXIMUM RATINGS .....</b>	<b>24</b>
<b>TABLE 6.2 - OPERATING RANGES.....</b>	<b>24</b>
<b>TABLE 6.3 - DC CHARACTERISTICS EXCEPT USB SIGNALS .....</b>	<b>24</b>
<b>TABLE 6.4 - DC CHARACTERISTICS OF USB SIGNALS UNDER FS/LS MODE.....</b>	<b>25</b>
<b>TABLE 6.5 - DC CHARACTERISTICS OF USB SIGNALS UNDER HS MODE .....</b>	<b>25</b>
<b>TABLE 6.6 - DC SUPPLY CURRENT.....</b>	<b>26</b>
<b>TABLE 6.7 - AC CHARACTERISTICS OF EEPROM INTERFACE.....</b>	<b>27</b>
<b>TABLE 8.1 - ORDERING INFORMATION .....</b>	<b>31</b>



## CHAPTER 1 GENERAL DESCRIPTION

GL852 is Genesys Logic’s brand new Hub solutions which fully comply with Universal Serial Bus Specification Revision 2.0. This series includes GL852.

GL852 embeds an 8-bit RISC processor to manipulate the control/status registers and respond to the requests from USB host. Firmware of GL852 will control its general purpose I/O (GPIO) to access the external EEPROM and then respond to the host the customized PID and VID configured in the external EEPROM. Default settings in the internal mask ROM is responded to the host without having external EEPROM. GL852 is designed for customers with much flexibility. The more complicated settings such as PID, VID, and number of downstream ports settings are easily achieved by programming the external EEPROM (Ref. to Chapter 5).

Each downstream port of GL852 supports two-color (green/amber) status LEDs to indicate normal/abnormal status.

To fully meet the performance requirement, GL852 series is a multiple TT hub solution to provide every downstream port with a TT. With the dedicated TT in each downstream port, GL852 can provide the best performance even connect with several Full/Low-Speed devices and running heavy bandwidth-consuming operations concurrently.

\*TT (transaction translator) is the main traffic control engine in an USB 2.0 hub to handle the unbalanced traffic speed between the upstream port and the downstream ports.

Product Name	Package type	Power mode	LED support
GL852	64LQFP	Individual/Gang	Green/Amber
GL852	48LQFP	Individual/Gang	Green/Amber
GL852	48QFN	Individual/Gang	Green/Amber

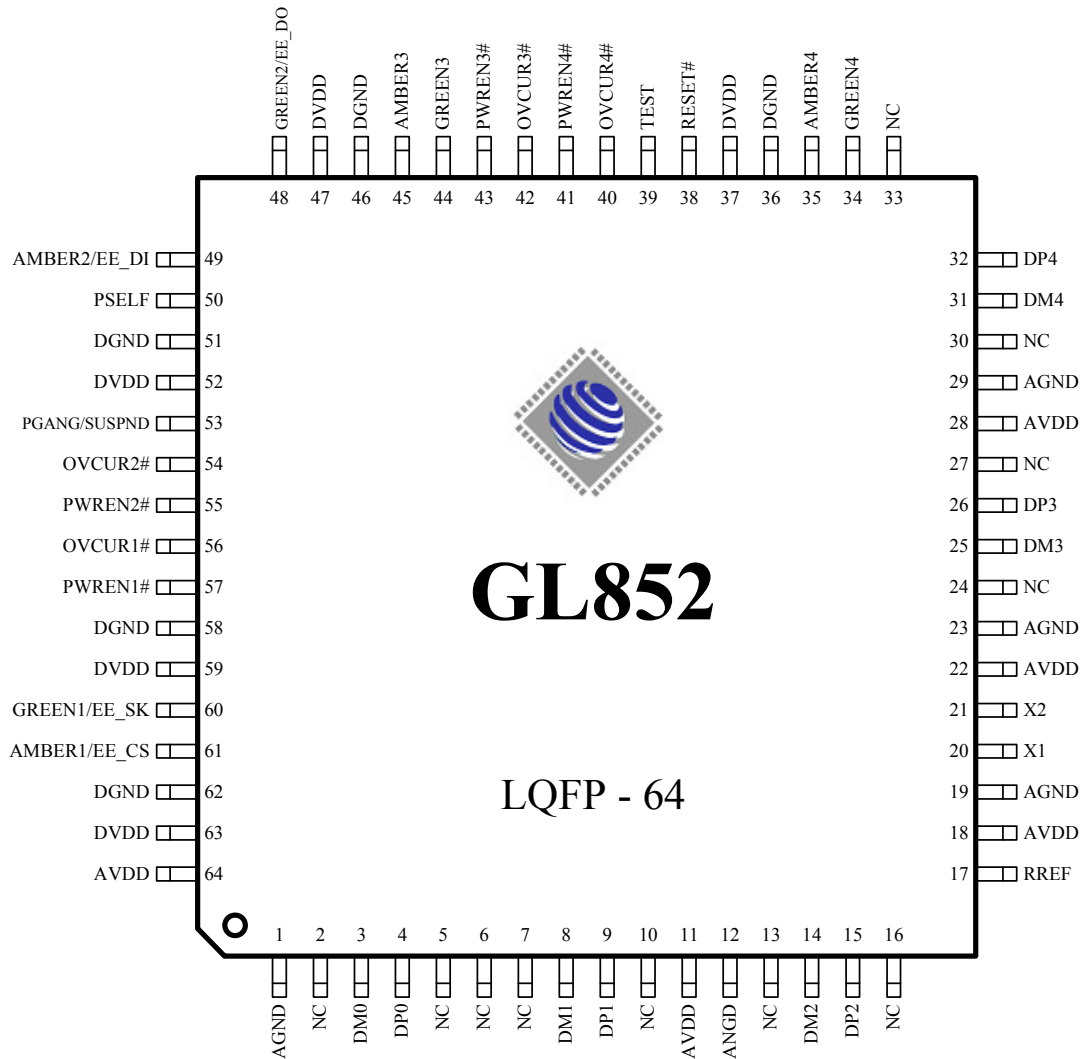
## CHAPTER 2 FEATURES

- Compliant to USB specification Revision 2.0
  - 4 downstream ports
  - Upstream port supports both high-speed (HS) and full-speed (FS) traffic
  - Downstream ports support HS, FS, and low-speed (LS) traffic
  - 1 control pipe (endpoint 0, 64-byte data payload) and 1 interrupt pipe (endpoint 1, 1-byte data payload)
  - Backward compatible to USB specification Revision 1.1
- On-chip 8-bit micro-processor
  - RISC-like architecture
  - USB optimized instruction set
  - Dual cycle instruction execution
  - Performance: 6 MIPS @ 12MHz
  - With 64-byte RAM and 2K internal ROM
  - Support customized PID, VID by reading external EEPROM
  - Support downstream port configuration by reading external EEPROM
- Multiple Transaction translator (MTT)
  - MTT provides respective TT control logics for each downstream port. This is a performance better choice for USB 2.0 hub.
- Each downstream port supports two-color status indicator, with automatic and manual modes compliant to USB specification Revision 2.0
- Support both individual and gang modes of power management and over-current detection for downstream ports
- Support gang mode of power management and over-current detection for downstream ports
- Conform to bus power requirements
- Automatic switching between self-powered and bus-powered modes
- Integrate USB 2.0 transceiver
- PLL embedded with external 12 MHz crystal
- Operate on 3.3 Volts
- Embed serial resistor for USB signals and integrate pull-up resistor for upstream USB signal
- Improve output drivers with slew-rate control for EMI reduction
- Internal power-fail detection for ESD recovery
- 64-pin LQFP package , 48-pin LQFP package , 48-pin QFN package
- Applications:
  - Stand-alone USB hub
  - Monitor hub
  - PC motherboard USB hub, Docking of notebook
  - Any compound device to support USB HUB function

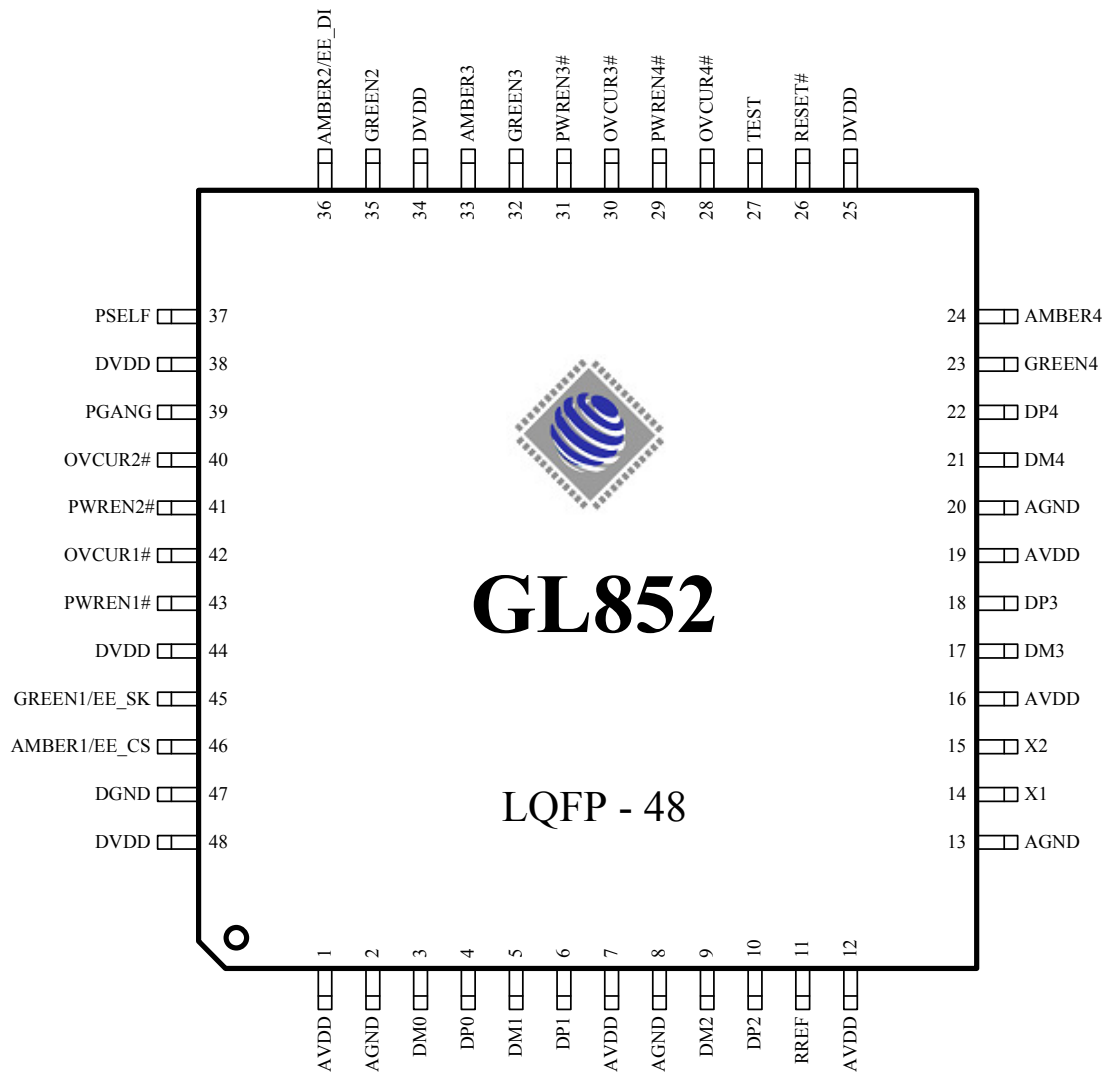


## CHAPTER 3 PIN ASSIGNMENT

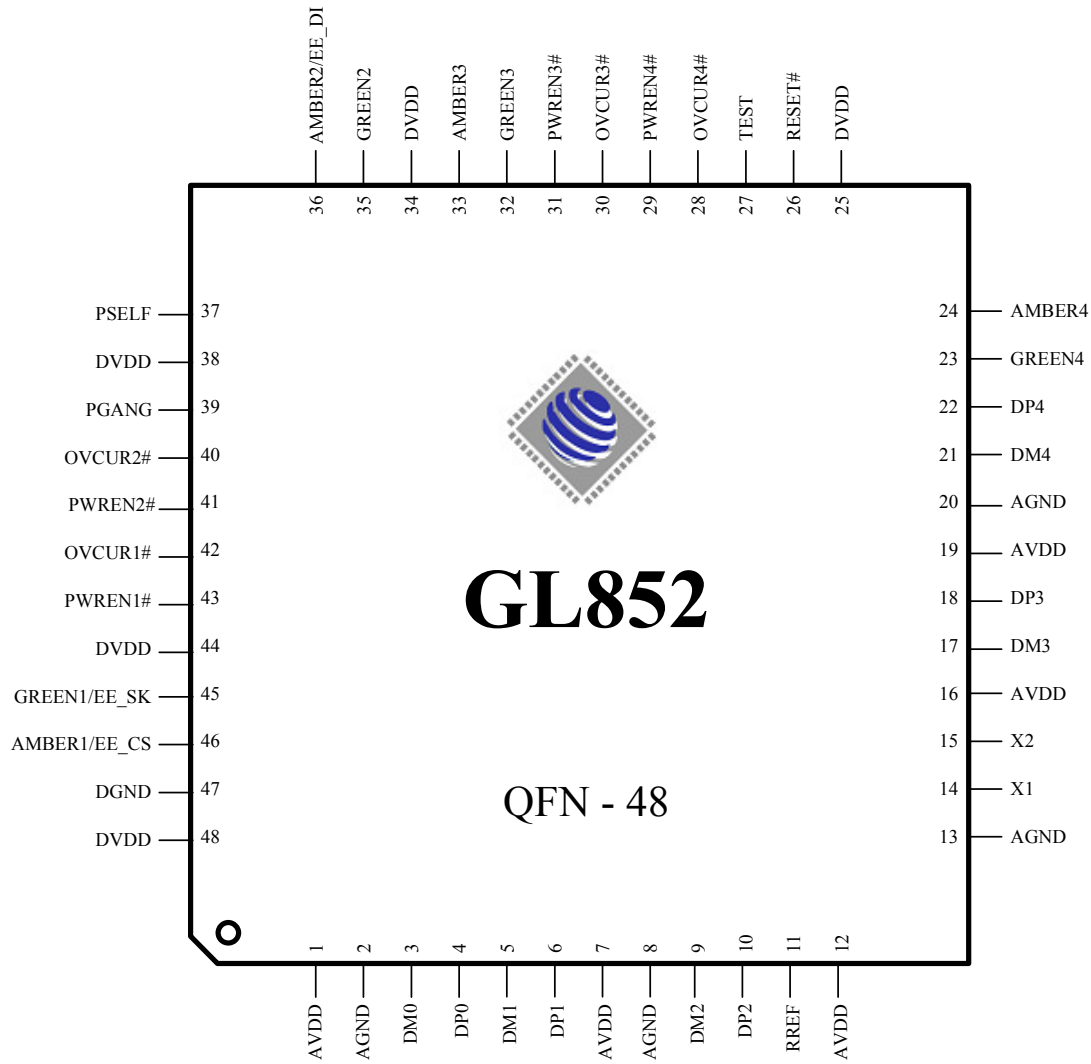
### 3.1 Pinouts



**Figure 3.1 – GL852 64 Pin LQFP Pinout Diagram**



**Figure 3.2 – GL852 48 Pin LQFP Pinout Diagram**



**Figure 3.2— GL852 48 Pin QFN Pinout Diagram**

### 3.2 Pin List

**Table 3.1 – GL852 64 Pin List**

Pin#	Pin Name	Type	Pin#	Pin Name	Type	Pin#	Pin Name	Type	Pin#	Pin Name	Type
1	AGND	P	17	RREF	B	33	NC	-	49	AMBER2/ EE_DI	O
2	NC	-	18	AVDD	P	34	GREEN4	O	50	PSELF	I
3	DM0	B	19	AGND	P	35	AMBER4	O	51	DGND	P
4	DP0	B	20	X1	I	36	DGND	P	52	DVDD	P
5	NC	-	21	X2	O	37	DVDD	P	53	PGANG/ SUSPND	B
6	NC	-	22	AVDD	P	38	RESET#	I	54	OVCUR2#	I
7	NC	-	23	AGND	P	39	TEST	I	55	PWREN2#	O
8	DM1	B	24	NC	-	40	OVCUR4#	I	56	OVCUR1#	I
9	DP1	B	25	DM3	B	41	PWREN4#	O	57	PWREN1#	O
10	NC	-	26	DP3	B	42	OVCUR3#	I	58	DGND	P
11	AVDD	P	27	NC	-	43	PWREN3#	O	59	DVDD	P
12	AGND	P	28	AVDD	P	44	GREEN3	O	60	GREEN1/ EE_SK	O
13	NC	-	29	AGND	P	45	AMBER3	O	61	AMBER1/ EE_CS	O
14	DM2	B	30	NC	-	46	DGND	P	62	DGND	P
15	DP2	B	31	DM4	B	47	DVDD	P	63	AVDD	P
16	NC	-	32	DP4	B	48	GREEN2/ EE_DO	B	64	AVDD	P

**Table 3.2 – GL852 48 Pin List**

Pin#	Pin Name	Type	Pin#	Pin Name	Type	Pin#	Pin Name	Type	Pin#	Pin Name	Type
1	AVDD	P	13	AGND	P	25	DVDD	P	37	PSELF	I
2	AGND	P	14	X1	I	26	RESET#	I	38	DVDD	P
3	DM0	B	15	X2	O	27	TEST	I	39	PGANG	B
4	DP0	B	16	AVDD	P	28	OVCUR4#	I	40	OVCUR2#	I
5	DM1	B	17	DM3	B	29	PWREN4#	O	41	PWREN2#	O
6	DP1	B	18	DP3	B	30	OVCUR3#	I	42	OVCUR1#	I
7	AVDD	P	19	AVDD	P	31	PWREN3#	O	43	PWREN1#	O
8	AGND	P	20	AGND	P	32	GREEN3	O	44	DVDD	P
9	DM2	B	21	DM4	B	33	AMBER3	O	45	GREEN1/ EE_SK	O
10	DP2	B	22	DP4	B	34	DVDD	P	46	AMBER1/ EE_CS	O

11	RREF	B	23	GREEN4	O	35	GREEN2/ EE_DO	O	47	DGND	P
12	AVDD	P	24	AMBER4	O	36	AMBER2/ EE_DI	O	48	DVDD	P

### 3.3 Pin Descriptions

**Table 3.3 - Pin Descriptions**

USB Interface				
Pin Name	GL852	GL852	I/O Type	Description
	64 Pin#	48Pin#		
DM0,DP0	3,4	3,4	B	USB signals for USPORT
DM1,DP1	8,9	5,6	B	USB signals for DSPORT1
DM2,DP2	14,15	9,10	B	USB signals for DSPORT2
DM3,DP3	25,26	17,18	B	USB signals for DSPORT3
DM4,DP4	31,32	21,22	B	USB signals for DSPORT4
RREF	17	11	B	A 680Ω resistor must be connected between RREF and analog ground (AGND).

Note: USB signals must be carefully handled in PCB routing. For detailed information, please refer to **GL852 Design Guideline**.

HUB Interface				
Pin Name	GL852	GL852	I/O Type	Description
	64 Pin#	48Pin#		
OVCUR1#~4	56,54, 42,40	42,40,30,28	I (pu)	Active low. Over current indicator for DSPORT1~4 OVCUR1# is the only over current flag for GANG mode.
PWREN1#~4	57,55, 43,41	43,41,31,29	O	Active low. Power enable output for DSPORT1~4 PWREN1# is the only power-enable output for GANG mode.
GREEN1~4	60,48, 44,34	45,35,32,23	1,3,4: O 2: B (pd)	Green LED indicator for DSPORT1~4 *GREEN[1~2] are also used to access the external EEPROM For detailed information, please refer to Chapter 5.
AMBER1~4	61,49, 45,35	46,36,33,24	O (pd)	Amber LED indicator for DSPORT1~4 *Amber [1~2] are also used to access the external EEPROM
PSELF	50	37	I	0: GL852 is bus-powered. 1: GL852 is self-powered.
PGANG/ SUSPND	53	39	B	This pin is default put in input mode after power-on reset. Individual/gang mode is strapped during this period. After the strapping period, this pin will be set to output mode, and then output high for normal mode. When GL852 is suspended, this pin will output low. *For detailed explanation, please see Chapter 5 Gang input:1, output: 0@normal, 1@suspend Individual input:0, output: 1@normal, 0@suspend

Clock and Reset Interface				
Pin Name	GL852	GL852	I/O Type	Description
	64Pin#	48Pin#		
X1	20	14	I	12MHz crystal clock input.
X2	21	15	O	12MHz crystal clock output.
RESET#	38	26	I	Active low. External reset input, default pull high 10KΩ. When RESET# = low, whole chip is reset to the initial state.

System Interface				
Pin Name	GL852	GL852	I/O Type	Description
	64 Pin#	48Pin#		
TEST	39	27	I (pd)	0: Normal operation. 1: Chip will be put in test mode.

Power / Ground				
Pin Name	GL852	GL852	I/O Type	Description
	64 Pin#	48Pin#		
AVDD	11,18,22, 28,64	1,7,12,16,19	P	3.3V analog power input for analog circuits.
AGND	1,12,19, 23,29	2,8,13,20,	P	Analog ground input for analog circuits.
DVDD	37,47, 52,59	25,34,38,44, 48	P	3.3V digital power input for digital circuits
DGND	36,46, 51,58,62	47	P	Digital ground input for digital circuits.
NC	2,5~7,10, 13,16,24, 27,30,33	-	-	No connection

Note: Analog circuits are quite sensitive to power and ground noise. PCB layout must take care the power routing and the ground plane. For detailed information, please refer to **GL852 Design Guideline**.

**Notation:**

<b>Type</b>	<b>O</b>	Output
	<b>I</b>	Input
	<b>B</b>	Bi-directional
	<b>B/I</b>	Bi-directional, default input
	<b>B/O</b>	Bi-directional, default output
	<b>P</b>	Power / Ground
	<b>A</b>	Analog
	<b>SO</b>	Automatic output low when suspend
	<b>pu</b>	Internal pull up
	<b>pd</b>	Internal pull down
	<b>odpu</b>	Open drain with internal pull up

CHAPTER 4 BLOCK DIAGRAM

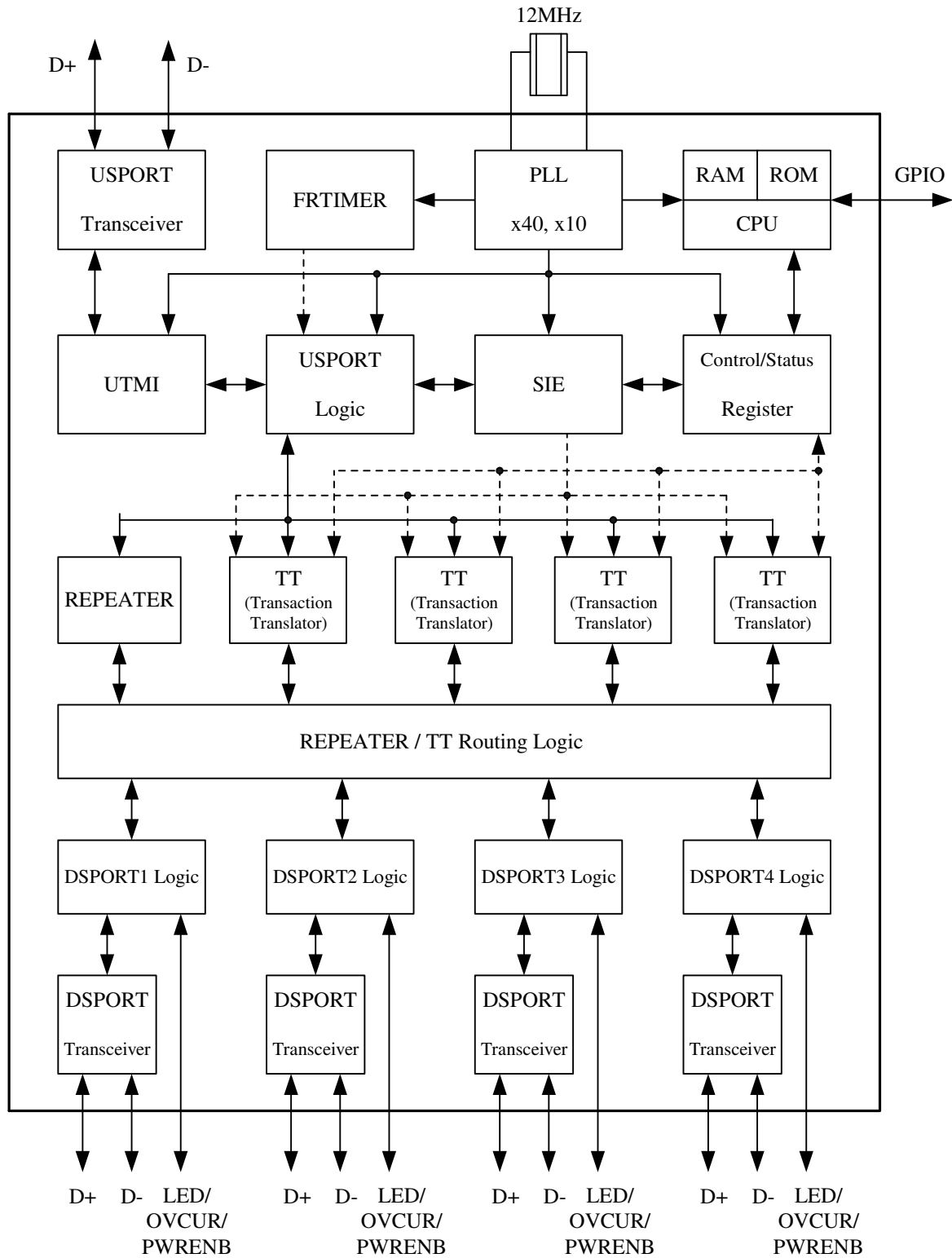


Figure 4.1 - GL852 Block Diagram (multiple TT)

## CHAPTER 5 FUNCTION DESCRIPTION

### 5.1 General

#### 5.1.1 USPORT Transceiver

USPORT (upstream port) transceiver is the analog circuit that supports both full-speed and high-speed electrical characteristics defined in chapter 7 of USB specification Revision 2.0. USPORT transceiver will operate in full-speed electrical signaling when GL852 is plugged into a 1.1 host/hub. USPORT transceiver will operate in high-speed electrical signaling when GL852 is plugged into a 2.0 host/hub.

#### 5.1.2 PLL (Phase Lock Loop)

GL852 contains a 40x PLL. PLL generates the clock sources for the whole chip. The generated clocks are proven quite accurate that help in generating high speed signal without jitter.

#### 5.1.3 FRTIMER

This module implements hub (micro)frame timer. The (micro)frame timer is derived from the hub's local clock and is synchronized to the host (micro)frame period by the host generated Start of (micro)frame (SOF). FRTIMER keeps tracking the host's SOF such that GL852 is always safely synchronized to the host. The functionality of FRTIMER is described in section 11.2 of USB Specification Revision 2.0.

#### 5.1.4 $\mu$ C

$\mu$ C is the micro-processor unit of GL852. It is an 8-bit RISC processor with 2K ROM and 64 bytes RAM. It operates at 6MIPS of 12Mhz clock to decode the USB command issued from host and then prepares the data to respond to the host. In addition,  $\mu$ C can handle GPIO (general purpose I/O) settings and reading content of EEPROM to support high flexibility for customers of different configurations of hub. These configurations include self/bus power mode setting, individual/gang mode setting, downstream port number setting, device removable/non-removable setting, and PID/VID setting.

#### 5.1.5 UTMI (USB 2.0 Transceiver Macrocell Interface)

UTMI handles the low level USB protocol and signaling. It's designed based on the Intel's UTMI specification 1.01. The major functions of UTMI logic are to handle the data and clock recovery, NRZI encoding/decoding, Bit stuffing /de-stuffing, supporting USB 2.0 test modes, and serial/parallel conversion.

#### 5.1.6 USPORT logic

USPORT implements the upstream port logic defined in section 11.6 of USB specification Revision 2.0. It mainly manipulates traffics in the upstream direction. The main functions include the state machines of Receiver and Transmitter, interfaces between UTMI and SIE, and traffic control to/from the REPEATER and TT.

#### 5.1.7 SIE (Serial Interface Engine)

SIE handles the USB protocol defined in chapter 8 of USB specification Revision 2.0. It co-works with  $\mu$ C to play the role of the hub kernel. The main functions of SIE include the state machine of USB protocol flow, CRC check, PID error check, and timeout check. Unlike USB 1.1, bit stuffing/de-stuffing is implemented in UTMI, not in SIE.

#### 5.1.8 Control/Status register

Control/Status register is the interface register between hardware and firmware. This register contains the information necessary to control endpoint0 and endpoint1 pipelines. Through the firmware based architecture, GL852 possesses higher flexibility to control the USB protocol easily and correctly.

#### 5.1.9 REPEATER

Repeater logic implements the control logic defined in section 11.4 and section 11.7 of USB specification Revision 2.0. REPEATER controls the traffic flow when upstream port and downstream port are signaling in the same speed. In addition, REPEATER will generate internal resume signal whenever a wakeup event is issued under the situation that hub is globally suspended.



### 5.1.10. TT (Transaction Translator)

TT implements the control logic defined in section 11.14 ~ 11.22 of USB specification Revision 2.0. TT basically handles the unbalanced traffic speed between the USPORT (operating in HS) and DSPORTS (operating in FS/LS) of hub. GL852 adopts multiple TT architecture to provide the most performance effective solution. Multiple TT provides control logics for each downstream port respectively.

### 5.1.11 REPEATER/TT routing logic

REPEATER and TT are the major traffic control machines in the USB 2.0 hub. Under situation that USPORT and DSPORT are signaling in the same speed, REPEATER/TT routing logic switches the traffic channel to the REPEATER. Under situation that USPORT is in the high speed signaling and DSPORT is in the full/low speed signaling, REPEATER/TT routing logic switches the traffic channel to the TT.

#### 5.1.11.1 Connected to 1.1 Host/Hub

If an USB 2.0 hub is connected to the downstream port of an USB 1.1 host/hub, it will operate in USB 1.1 mode. For an USB 1.1 hub, both upstream direction traffic and downstream direction traffic are passing through REPEATER. That is, the REPEATER/TT routing logic will route the traffic channel to the REPEATER.

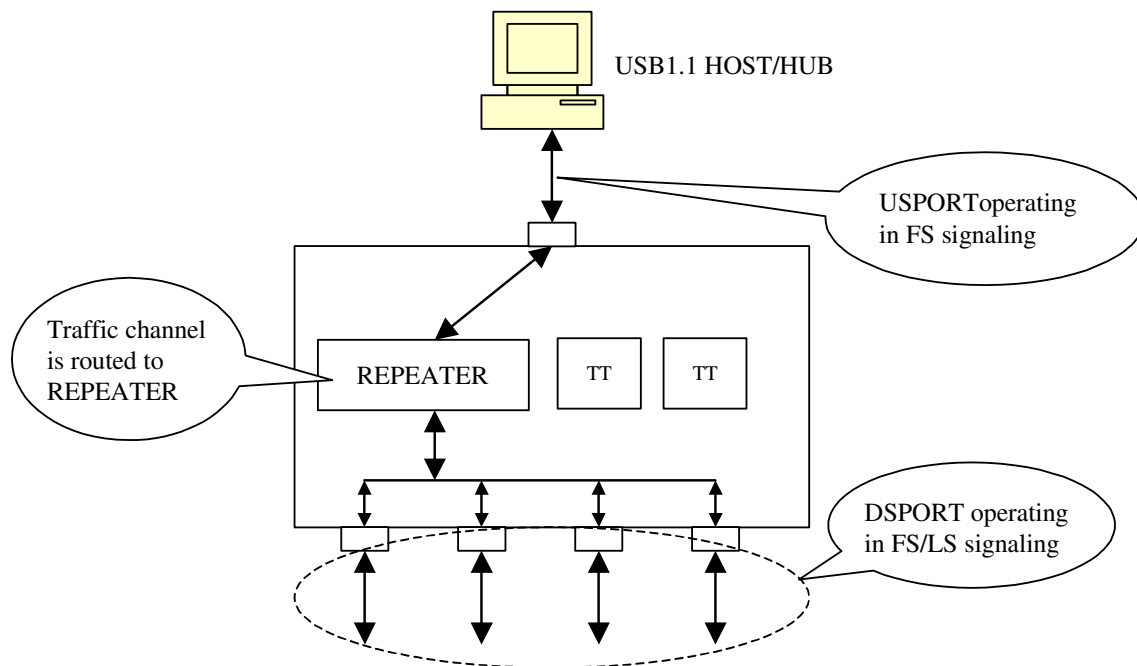
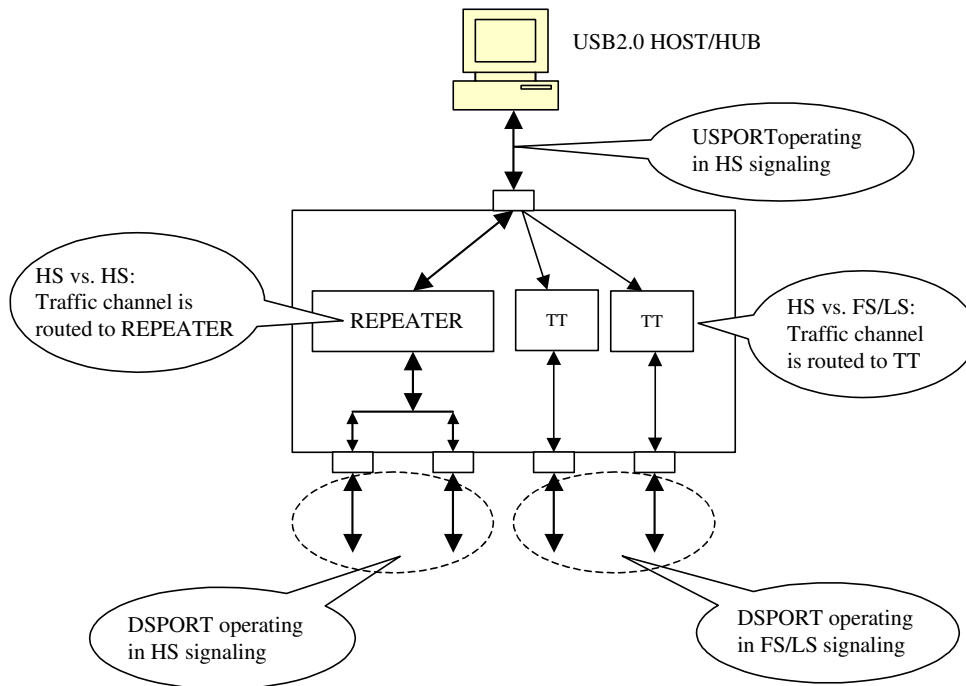


Figure 5.1 - Operating in USB 1.1 scheme

#### 5.1.11.2 Connected to USB 2.0 Host/Hub

If an USB 2.0 hub is connected to an USB 2.0 host/hub, it will operate in USB 2.0 mode. The upstream port signaling is in high speed with bandwidth of 480 Mbps under this environment. The traffic channel will then be routed to the REPEATER when the device connected to the downstream port is signaling also in high speed. On the other hand, the traffic channel will then be routed to TT when the device connected to the downstream port is signaling in full/low speed.



**Figure 5.2 - Operating in USB 2.0 scheme**

### 5.12 DSPORT logic

DSPORT (downstream port) logic implements the control logic defined in section 11.5 of USB specification Revision 2.0. It mainly manipulates the state machine, the connection/disconnection detection, over current detection and power enable control, and the status LED control of the downstream port. Besides, it also output the control signals to the DSPORT transceiver.

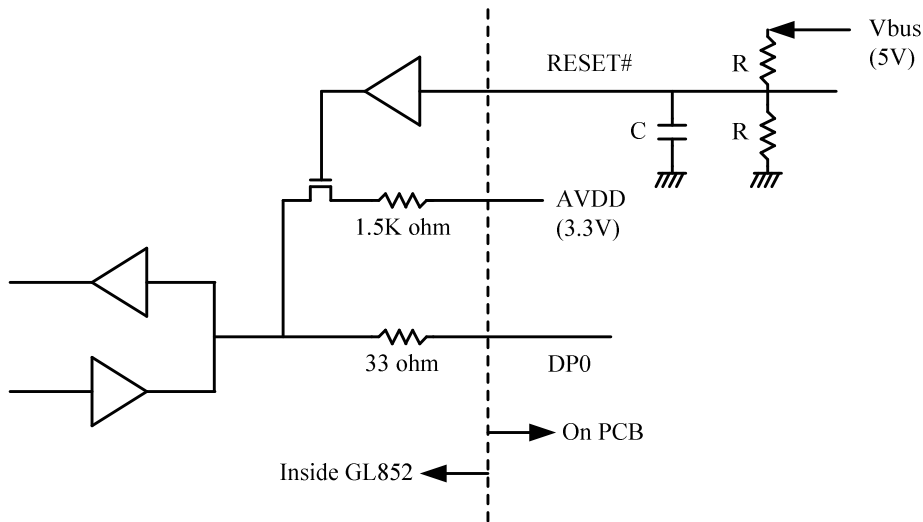
### 5.13 DSPORT Transceiver

DSPORT transceiver is the analog circuit that supports high-speed, full-speed, and low-speed electrical characteristics defined in chapter 7 of USB specification Revision 2.0. In addition, each DSPORT transceiver accurately controls its own squelch level to detect the detachment and attachment of devices.

## 5.2 Configuration and I/O Settings

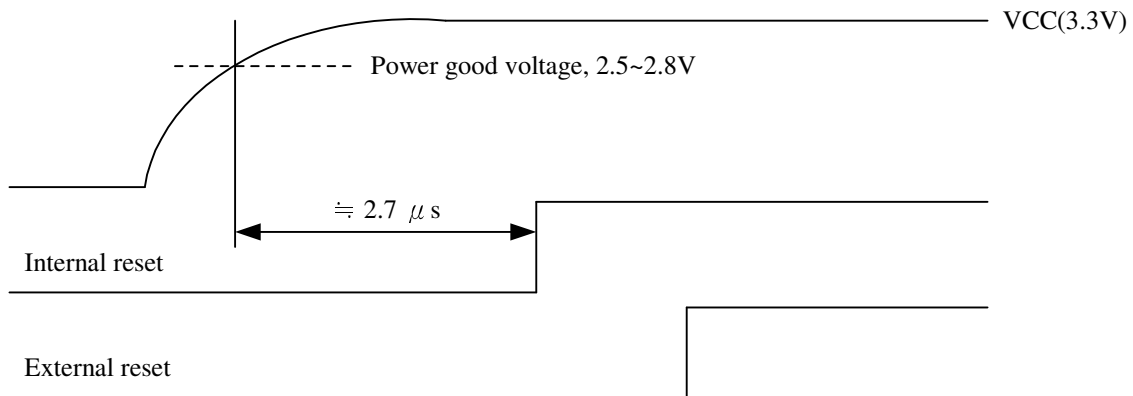
### 5.2.1 RESET# Setting

GL852 integrates in the pull-up 1.5KΩ resistor of the upstream port. When RESET# is enabled, the internal 1.5KΩ pull-up resistor will be disconnected to the 3.3V power. To meet the requirement (p.141) of the USB 2.0 specification, pull-up resistor should be disconnected while lacking of USB cable power (Vbus). Therefore, we suggest designing the RESET# circuit as following figure to meet the requirement mentioned above.



**Figure 5.3 - RESET# (External Reset) setting and application**

GL852 internally contains a power on reset circuit. The power on reset sequence is depicted in the next picture. To fully control the reset process of GL852, we suggest the reset time applied in the external reset circuit should longer than that of the internal reset circuit.



**Figure 5.4 - Power on sequence of GL852**

### 5.2.2 PGANG/SUSPND Setting

To save pin count, GL852 uses the same pin to decide individual/gang mode as well as to output the suspend flag. The individual/gang mode is decided within 20us after power on reset. Then, about 50ms later, this pin is changed to output mode. GL852 outputs the suspend flag once it is globally suspended. For individual mode, a pull low resistor greater than 100KΩ should be placed. For gang mode, a pull high resistor which greater than 100KΩ should be placed. In figure 5.6, we also depict the suspend LED indicator schematics. It should be noticed that the polarity of LED must be followed, otherwise the suspend current will be over spec limitation (2.5mA).

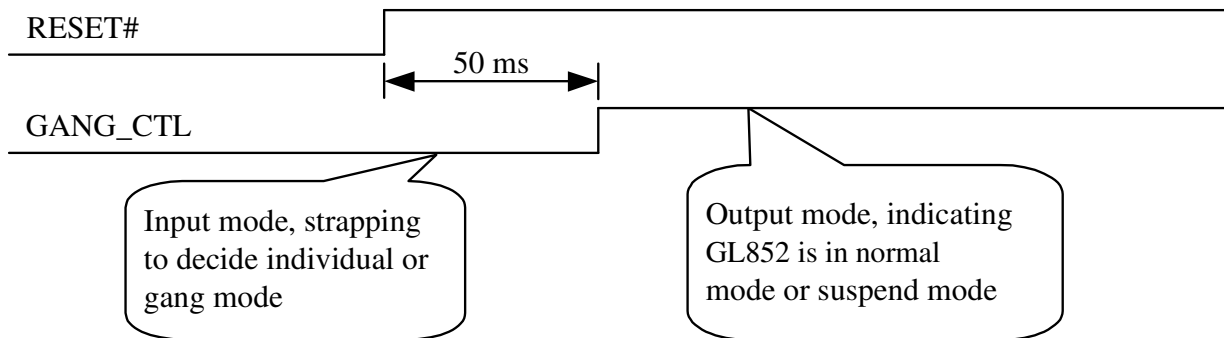


Figure 5.5 - Timing of PGANG/SUSPND strapping

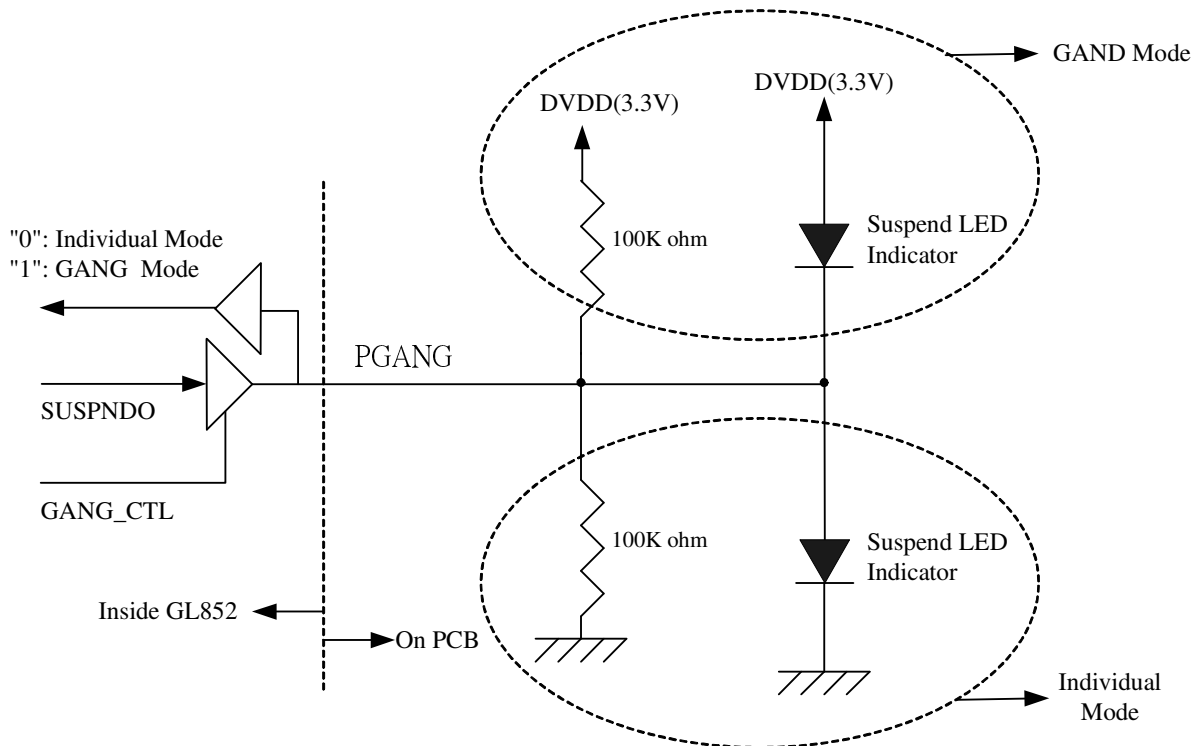
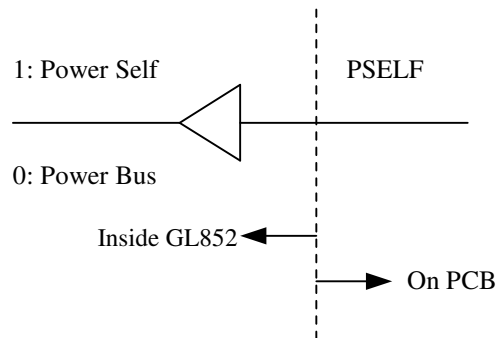


Figure 5.6 - GANG Mode Setting

### 5.2.3 SELF/BUS Power Setting

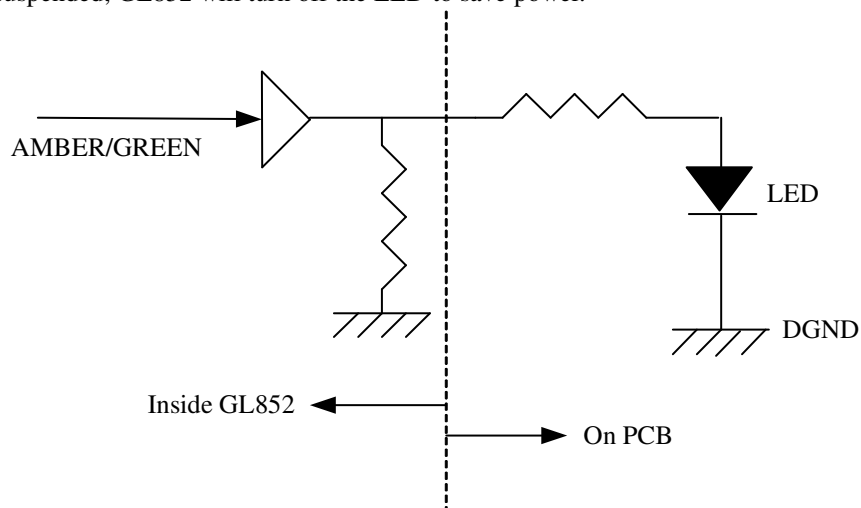
GL852 can operate under bus power and conform to the power consumption limitation completely (suspend current < 2.5 mA, normal operation current < 100 mA). By setting PSELF, GL852 can be configured as a bus-power or a self-power hub.



**Figure 5.7 - SELF/BUS Power Setting**

### 5.2.4 LED Connections

GL852 controls the LED lighting according to the flow defined in section 11.5.3 of Universal Serial Bus Specification Revision 2.0. Both manual mode and Automatic mode are supported in GL852. When GL852 is globally suspended, GL852 will turn off the LED to save power.



**Figure 5.8 - LED Connection**

### 5.2.5 EEPROM Setting

GL852 replies to host commands by the default settings in the internal ROM. GL852 also offers the ability to reply to the host according to the settings in the external EEPROM(93C46). The following table shows the configuration of 93C46.

**Table 5.1 - 93C46 Configuration**

Unit: Byte

	00	01	02	03	04	05	06	07	08	09	0A	0B	0C	0D	0E	0F	
00h	VID_L	VID_H	PID_L	PID_H	CHKSUM	FF	DEVICE REMOVABLE	PORT NUMBER	MaxPower	FF	FF	FF	FF	FF	FF	FF	
10h	VENDOR LENGTH	→start															
20h	Vendor string (ASC II code)																
30h	end																
40h	PRODUCT LENGTH	→start															
50h	Product String(ASC II code)																
60h	end																
70h	SERIAL NUMBER LENGTH	→ start														Serial Number String(ASC II code)	
		end															

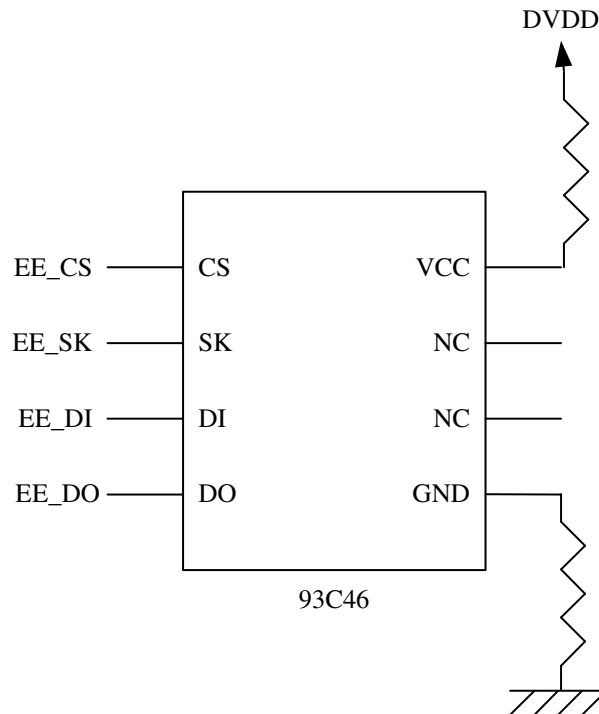
- Note: 1. VID\_H/VID\_L: high/low byte of VID value  
 2. PID\_H/PID\_L: high/low byte of PID value  
 3. CHKSUM: CHKSUM must equal to VID\_H + VID\_L + PID\_H + PID\_L + 1, otherwise firmware will ignore the EEPROM settings.  
 4. PORT\_NO: port number, value must be 1~4.  
 5. MaxPower : Describe the maximum power consumption, range=0Ma~500Ma .  
 Value -> 00H~FAH (unit = 2Ma)  
 6. DEVICE REMOVALBE:

-	-	-	PORT4 REMOVABLE	PORT3 REMOVABLE	PORT2 REMOVABLE	PORT1 REMOVABLE	-
---	---	---	--------------------	--------------------	--------------------	--------------------	---

- 0: Device attached to this port is removable.  
 1: Device attached to this port is non-removable.

7. VENDOR LENGTH: offset 10h contains the length of the vendor string. Values of vendor string is contained from 11h~3Fh.  
 8. PRODUCT LENGTH: offset 40h contains the length of product string. Values of product string is contained from 41h~6Fh.  
 9. SERIAL NUMBER LENGTH: offset 70h contains the value of serial number string. Values of serial number string is contained after offset 71h.

The schematics between GL852 and 93C46 is depicted in the following figures:



**Figure 5.9 - Schematics Between GL852 and 93C46**

GL852 firstly verifies the check sum after power on reset. If the check sum is correct, GL852 will take the configuration of 93C46 as part of the descriptor contents. To prevent the content of 93C46 from being over-written, amber LED will be disabled when 93C46 exists.

## CHAPTER 6 ELECTRICAL CHARACTERISTICS

### 6.1 Maximum Ratings

**Table 6.1 - Maximum Ratings**

Symbol	Parameter	Min.	Max.	Unit
V <sub>CC</sub>	Power Supply	-0.5	+3.6	V
V <sub>IN</sub>	Input Voltage for digital I/O(EE_DO) pins	-0.5	+3.6	V
V <sub>IN</sub>	Input Voltage for digital I/O(Ovcur1-4,Pself,Reset) pins	-0.5	+5.25	V
V <sub>INUSB</sub>	Input Voltage for USB signal (DP, DM) pins	-0.5	+3.6	V
T <sub>S</sub>	Storage Temperature under bias	-60	+100	°C
F <sub>OSC</sub>	Frequency	12 MHz ± 0.05%		

### 6.2 Operating Ranges

**Table 6.2 - Operating Ranges**

Symbol	Parameter	Min.	Typ.	Max.	Unit
V <sub>CC</sub>	Power Supply	3.0	3.3	3.6	V
V <sub>IND</sub>	Input Voltage for digital I/O pins	-0.5	3.3	3.6	V
V <sub>INUSB</sub>	Input Voltage for USB signal (DP, DM) pins	0.5	3.3	3.6	V
T <sub>A</sub>	Ambient Temperature	0	-	70	°C
T <sub>J</sub>	Absolute maximum junction temperature	0	-	125	°C
θ <sub>JA</sub>	Thermal Characteristics 48 LQFP	-	52.2	-	°C/W

### 6.3 DC Characteristics

**Table 6.3 - DC Characteristics Except USB Signals**

Symbol	Parameter	Min.	Typ.	Max.	Unit
P <sub>D</sub>	Power Dissipation	70	-	190	mA
V <sub>DD</sub>	Power Supply Voltage	3	3.3	3.6	V
V <sub>IL</sub>	LOW level input voltage	-	-	0.9	V
V <sub>IH</sub>	HIGH level input voltage	2.0	-	-	V
V <sub>TLH</sub>	LOW to HIGH threshold voltage	1.36	1.48	1.62	V
V <sub>THL</sub>	HIGH to LOW threshold voltage	1.36	1.48	1.62	V
V <sub>OL</sub>	LOW level output voltage when I <sub>OL</sub> =8mA	-	-	0.4	V
V <sub>OH</sub>	HIGH level output voltage when I <sub>OH</sub> =8mA	2.4	-	-	V
I <sub>OLK</sub>	Leakage current for pads with internal pull up or pull down resistor	-	-	30	µA
R <sub>DN</sub>	Pad internal pull down resistor	81K	103K	181K	Ω



$R_{UP}$	Pad internal pull up resister	81K	103K	181K	$\Omega$
----------	-------------------------------	-----	------	------	----------

**Table 6.4 - DC Characteristics of USB Signals Under FS/LS Mode**

Symbol	Parameter	Min.	Typ.	Max.	Unit
$V_{OL}$	DPF/DMF static output LOW( $R_L$ of 1.5K to 3.6V )	0	-	0.3	V
$V_{OH}$	DPF/DMF static output HIGH ( $R_L$ of 15K to GND )	2.8	-	3.6	V
$V_{DI}$	Differential input sensitivity	0.2	-	-	V
$V_{CM}$	Differential common mode range	0.8	-	2.5	V
$V_{SE}$	Single-ended receiver threshold	0.2	-	-	V
$C_{IN}$	Transceiver capacitance	-	-	20	pF
$I_{LO}$	Hi-Z state data line leakage	-10	-	+10	$\mu$ A
$Z_{DRV}$	Driver output resistance	28	-	43	$\Omega$

**Table 6.5 - DC Characteristics of USB Signals Under HS Mode**

Symbol	Parameter	Min.	Typ.	Max.	Unit
$V_{OL}$	DPH/DMH static output LOW( $R_L$ of 1.5K to 3.6V )	-	-	0.1	V
$C_{IN}$	Transceiver capacitance	4	4.5	5	pF
$I_{LO}$	Hi-Z state data line leakage	-5	0	+5	$\mu$ A
$Z_{DRV}$	Driver output resistance for USB 2.0 HS	48	45	42	$\Omega$

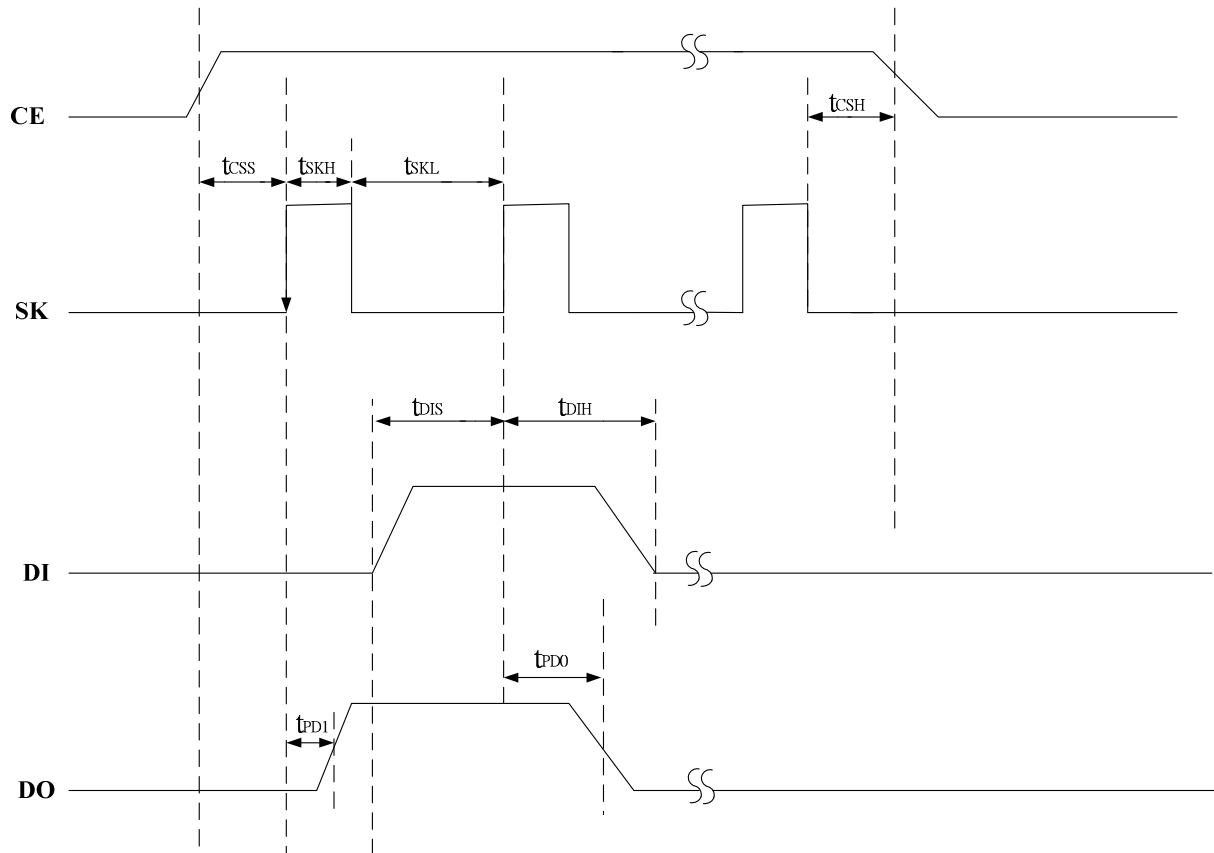
## 6.4 Power Consumption

**Table 6.6 - DC Supply Current**

Symbol	Condition			Typ.	Unit
	Active ports	Host	Device		
$I_{SUSP}$	Suspend			510/800 <sup>*1</sup>	$\mu$ A
$I_{CC}$	4	F <sup>*2</sup>	F	83	mA
		H	H	187	mA
		H	F	107	mA
	3	F	F	82	mA
		H	H	170	mA
		H	F	106	mA
	2	F	F	81	mA
		H	H	147	mA
		H	F	105	mA
	1	F	F	79	mA
		H	H	124	mA
		H	F	104	mA
	No Active	F		78	mA
		H		102	mA

\*1: 48/64-pin package types

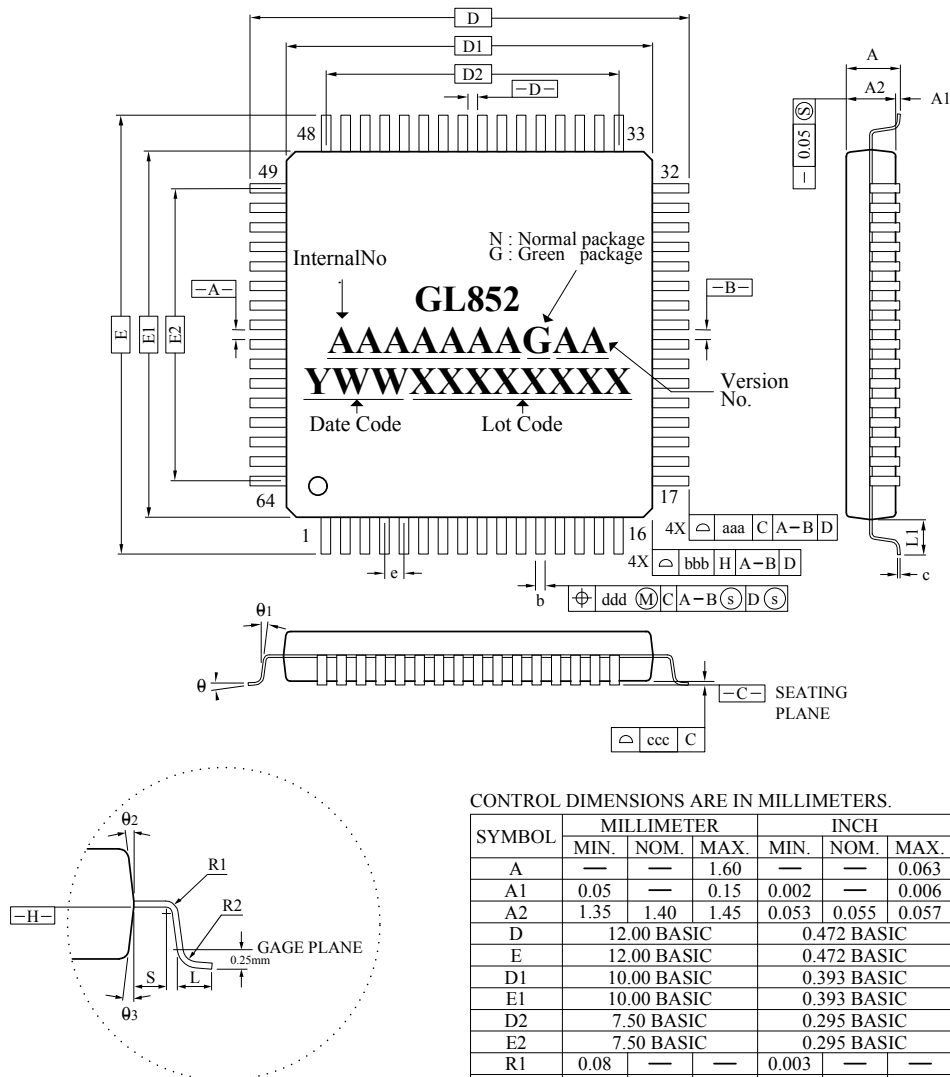
\*2: F: Full-Speed, H: High-Speed

**6.5 AC Characteristics**


Symbol	Parameter	Min	Typ	Max	Units
$t_{CSS}$	CS Setup Time	3.0			us
$t_{CSH}$	CS Hold Time	3.0			
$t_{SKH}$	SK High Time	1.0			
$t_{SKL}$	SK Low Time	2.2			
$t_{DIS}$	DI Setup Time	1.8			
$t_{DIH}$	DI Hold Time	2.4			
$t_{PD1}$	Output Delay to "1"			1.8	
$t_{PD0}$	Output Delay to "0"			1.8	

**Table 6.7 - AC Characteristics of EEPROM Interface**

## CHAPTER 7 PACKAGE DIMENSION



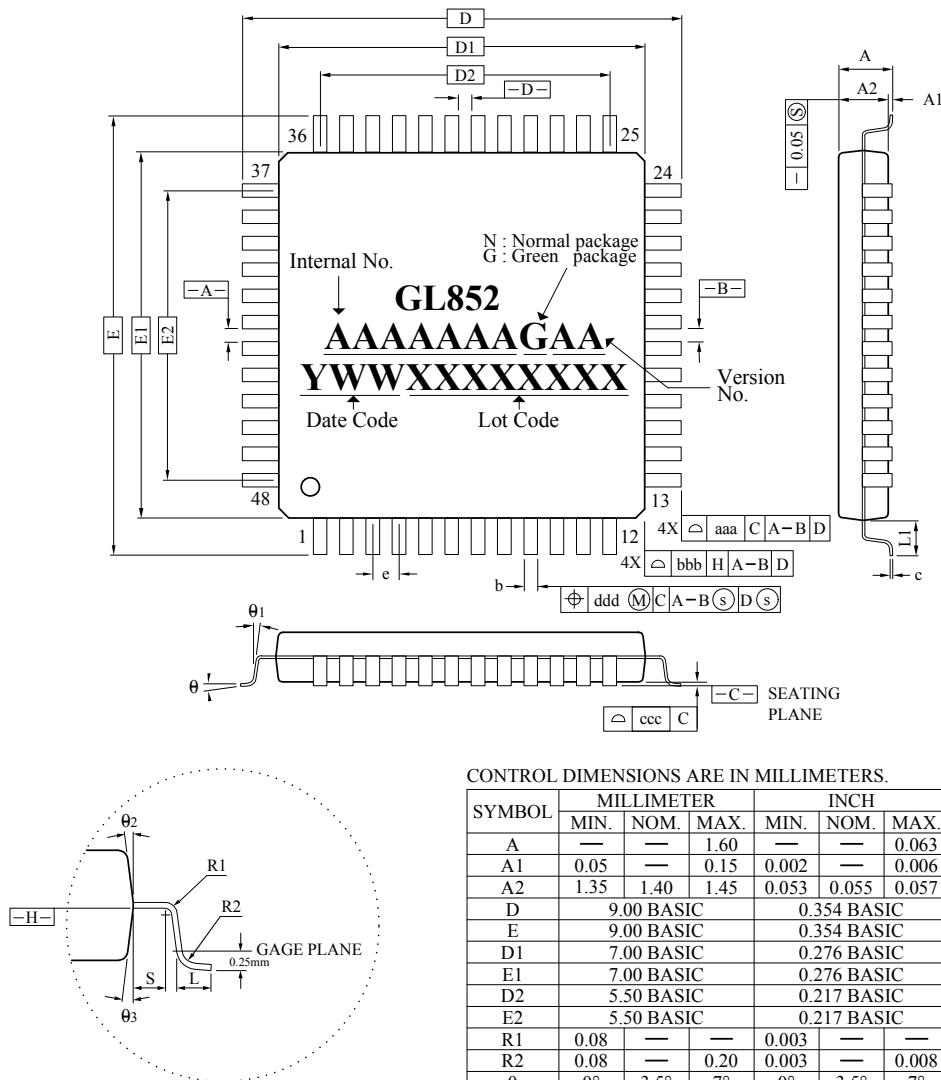
NOTES :

1. DIMENSIONS D1 AND E1 DO NOT INCLUDE MOLD PROTRUSION. ALLOWABLE PROTRUSION IS 0.25 mm PER SIDE. D1 AND E1 ARE MAXIMUM PLASTIC BODY SIZE DIMENSIONS INCLUDING MOLD MISMATCH.
2. DIMENSION b DOES NOT INCLUDE DAMBAR PROTRUSION. ALLOWABLE DAMBAR PROTRUSION SHALL NOT CAUSE THE LEAD WIDTH TO EXCEED THE MAXIMUM b DIMENSION BY MORE THAN 0.08mm. DAMBAR CAN NOT BE LOCATED ON THE LOWER RADIUS OR THE FOOT. MINIMUM SPACE BETWEEN PROTRUSION AND AN ADJACENT LEAD IS 0.07mm.

CONTROL DIMENSIONS ARE IN MILLIMETERS.

SYMBOL	MILLIMETER			INCH		
	MIN.	NOM.	MAX.	MIN.	NOM.	MAX.
A	—	—	1.60	—	—	0.063
A1	0.05	—	0.15	0.002	—	0.006
A2	1.35	1.40	1.45	0.053	0.055	0.057
D	12.00 BASIC			0.472 BASIC		
E	12.00 BASIC			0.472 BASIC		
D1	10.00 BASIC			0.393 BASIC		
E1	10.00 BASIC			0.393 BASIC		
D2	7.50 BASIC			0.295 BASIC		
E2	7.50 BASIC			0.295 BASIC		
R1	0.08	—	—	0.003	—	—
R2	0.08	—	0.20	0.003	—	0.008
θ	0	3.5	7	0	3.5	7
θ <sub>1</sub>	0	—	—	0	—	—
θ <sub>2</sub>	11	12	13	11	12	13
θ <sub>3</sub>	11	12	13	11	12	13
c	0.09	—	0.20	0.004	—	0.008
L	0.45	0.60	0.75	0.018	0.024	0.030
L1	1.00 REF			0.039 REF		
S	0.20	—	—	0.008	—	—
b	0.17	0.20	0.27	0.007	0.008	0.011
e	0.50 BASIC			0.020 BASIC		
TOLERANCES OF FORM AND POSITION						
aaa	0.20			0.008		
bbb	0.20			0.008		
ccc	0.08			0.003		
ddd	0.08			0.003		

Figure 7.1 - GL852 64 Pin LQFP Package



CONTROL DIMENSIONS ARE IN MILLIMETERS.

SYMBOL	MILLIMETER			INCH		
	MIN.	NOM.	MAX.	MIN.	NOM.	MAX.
A	—	—	1.60	—	—	0.063
A1	0.05	—	0.15	0.002	—	0.006
A2	1.35	1.40	1.45	0.053	0.055	0.057
D	9.00 BASIC			0.354 BASIC		
E	9.00 BASIC			0.354 BASIC		
D1	7.00 BASIC			0.276 BASIC		
E1	7.00 BASIC			0.276 BASIC		
D2	5.50 BASIC			0.217 BASIC		
E2	5.50 BASIC			0.217 BASIC		
R1	0.08	—	—	0.003	—	—
R2	0.08	—	0.20	0.003	—	0.008
$\theta$	0°	3.5°	7°	0°	3.5°	7°
$\theta_1$	0°	—	—	0°	—	—
$\theta_2$	11°	12°	13°	11°	12°	13°
$\theta_3$	11°	12°	13°	11°	12°	13°
c	0.09	—	0.20	0.004	—	0.008
L	0.45	0.60	0.75	0.018	0.024	0.030
L1	1.00 REF			0.039 REF		
S	0.20	—	—	0.008	—	—
b	0.17	0.20	0.27	0.007	0.008	0.011
e	0.50 BASIC			0.020 BASIC		
TOLERANCES OF FORM AND POSITION						
aaa	0.20		0.008			
bbb	0.20		0.008			
ccc	0.08		0.003			
ddd	0.08		0.003			

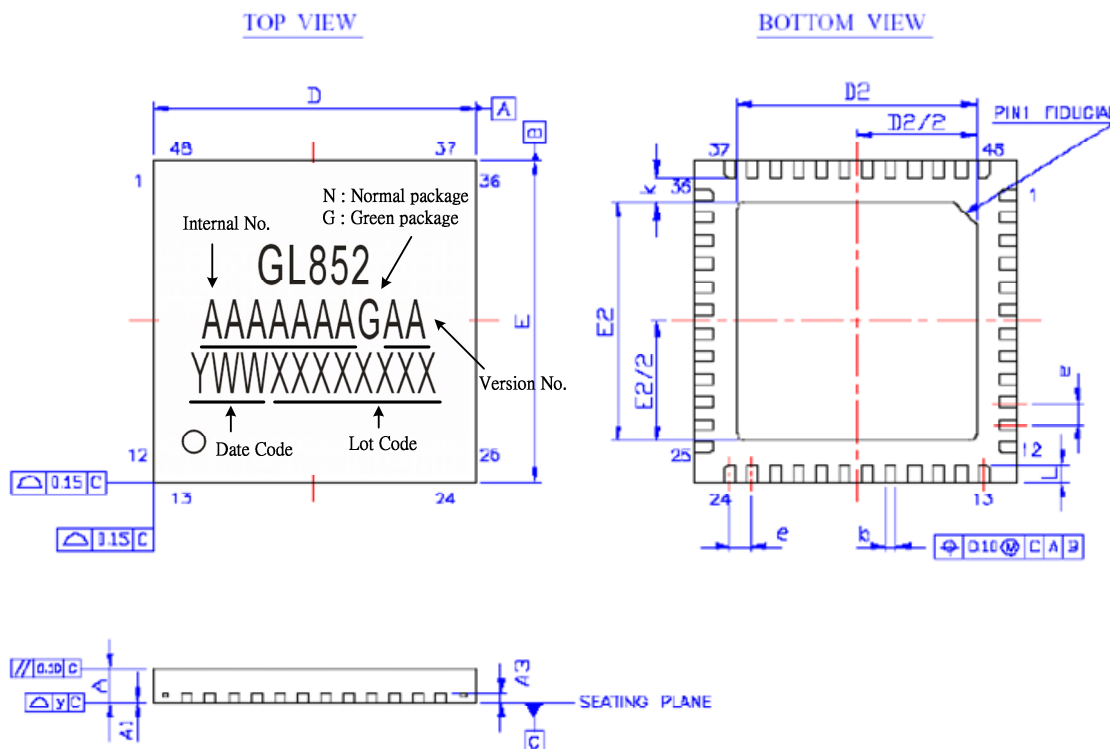
NOTES :

- DIMENSIONS D1 AND E1 DO NOT INCLUDE MOLD PROTRUSION. ALLOWABLE PROTRUSION IS 0.25 mm PER SIDE. D1 AND E1 ARE MAXIMUM PLASTIC BODY SIZE DIMENSIONS INCLUDING MOLD MISMATCH.
- DIMENSION b DOES NOT INCLUDE DAMBAR PROTRUSION. ALLOWABLE DAMBAR PROTRUSION SHALL NOT CAUSE THE LEAD WIDTH TO EXCEED THE MAXIMUM b DIMENSION BY MORE THAN 0.08mm. DAMBAR CAN NOT BE LOCATED ON THE LOWER RADIUS OR THE FOOT. MINIMUM SPACE BETWEEN PROTRUSION AND AN ADJACENT LEAD IS 0.07mm.

Figure 7.2 – GL852 48 Pin LQFP Package

SYMBOL	DIMENSION MM (MIL)		
	MIN.	NOM.	MAX.
A	0.70 (28)	0.75 (30)	0.80 (32)
A1	0.00 (0)	0.02 (0.8)	0.05 (2)
A3	0.20 (8) REF		
b	0.18 (7)	0.25 (10)	0.30 (12)
D	7.00 (276) BSC		
E	7.00 (276) BSC		
D2	5.10 (201)	5.20 (205)	5.30 (209)
E2	5.10 (201)	5.20 (205)	5.30 (209)
e	0.50 (20) BSC		
L	0.30 (12)	0.40 (16)	0.50 (20)
y	---	---	0.08 (3)
k	0.20 (8)	---	---

NOTE: 1. REFER TO JEDEC MO-220  
2. ALL DIMENSIONS IN MILLIMETERS.



**Figure 7.2 – GL852 48 Pin QFN Package**

## CHAPTER 8 ORDERING INFORMATION

**Table 8.1 - Ordering Information**

Part Number	Package	Normal/Green	Version	Status
GL852-MSNXX	64-pin LQFP	Normal Package	XX	Available
GL852-MNNXX	48-pin LQFP	Normal Package	XX	Available
GL852-MSGXX	64-pin LQFP	Green Package	XX	Available
GL852-MNGXX	48-pin LQFP	Green Package	XX	Available
GL852-ONGXX	48-pin QFN	Green Package	XX	Available