

DATA SHEET

TEA1103; TEA1103T; TEA1103TS

Fast charge ICs for NiCd and NiMH
batteries

Preliminary specification
Supersedes data of 1997 Oct 09
File under Integrated Circuits, IC03

1999 Jan 27

Fast charge ICs for NiCd and NiMH batteries

TEA1103; TEA1103T; TEA1103TS

FEATURES

- Safe and fast charging of Nickel Cadmium (NiCd) and Nickel Metal Hydride (NiMH) batteries
- Pin compatible with the TEA1102x, fast charge ICs for Lilon, SLA, NiCd and NiMH batteries
- Three charge states for NiCd or NiMH; fast, top-off and trickle or voltage regulation (optional)
- Adjustable fast charge current [0.5CA to 5CA nominal (CA = Capacity Amperes)]
- DC top-off and pulsating trickle charge current (NiCd and NiMH)
- Temperature dependent $\Delta T/\Delta t$ battery full detection
- Automatic switch-over to accurate peak voltage detection ($-1/4\%$) if no NTC is applied
- Possibility to use both $\Delta T/\Delta t$ and peak voltage detection as main fast charge termination
- Support of inhibit during all charging states
- Manual refresh with regulated adjustable discharge current (NiCd and NiMH)
- Voltage regulation in the event of no battery
- Support of battery voltage based charge indication and buzzer signalling at battery insertion, end of refresh and at full detection
- Single, dual and separate LED outputs for indication of charge status state
- Minimum and maximum temperature protection
- Time-out protection
- Short-circuit battery voltage protection
- Can be applied with few low-cost external components.

GENERAL DESCRIPTION

The TEA1103x are fast charge ICs which are able to fast charge NiCd and NiMH batteries.

The main fast charge termination for NiCd and NiMH batteries are $\Delta T/\Delta t$ and peak voltage detection, both of which are well proven techniques. The TEA1103x automatically switches over from $\Delta T/\Delta t$ to peak voltage detection if the thermistor fails or is not present. The $\Delta T/\Delta t$ detection sensitivity is temperature dependent, thus avoiding false charge termination. Three charge states can be distinguished; fast, top-off and trickle.

Several LEDs, as well as a buzzer, can be connected to the TEA1103x for indicating battery insertion, charge states, battery full condition and protection mode.

The TEA1103x are contained in a 20-pin package and are manufactured in a BiCMOS process, essentially for integrating the complex mix of requirements in a single chip solution. Only a few external low cost components are required in order to build a state of the art charger.

The TEA1103x are pin compatible with the TEA1102x, fast charge ICs for Lilon, SLA, NiCd and NiMH batteries.

ORDERING INFORMATION

| TYPE NUMBER | PACKAGE | | |
|-------------|---------|---|----------|
| | NAME | DESCRIPTION | VERSION |
| TEA1103 | DIP20 | plastic dual in-line package; 20 leads (300 mil) | SOT146-1 |
| TEA1103T | SO20 | plastic small outline package; 20 leads; body width 7.5 mm | SOT163-1 |
| TEA1103TS | SSOP20 | plastic shrink small outline package; 20 leads; body width 5.3 mm | SOT339-1 |

Fast charge ICs for NiCd and NiMH batteries

TEA1103; TEA1103T; TEA1103TS

QUICK REFERENCE DATA

| SYMBOL | PARAMETER | CONDITIONS | MIN. | TYP. | MAX. | UNIT |
|--------------------------|---|---|------|-----------------------|------|---------------|
| V_P | supply voltage | | 5.5 | – | 11.5 | V |
| I_P | supply current | outputs off | – | 4 | – | mA |
| $\Delta V_{NTC}/V_{NTC}$ | temperature rate dependent ($\Delta T/\Delta t$) detection level | $V_{NTC} = 2 \text{ V};$ $T_j = 0 \text{ to } 50 \text{ }^\circ\text{C}$ | – | –0.25 | – | % |
| $\Delta V_{bat}/V_{bat}$ | voltage peak detection level with respect to top value | $V_{bat} = 2 \text{ V};$ $T_j = 0 \text{ to } 50 \text{ }^\circ\text{C}$ | – | –0.25 | – | % |
| I_{Vbat} | input current battery monitor | $V_{bat} = 0.3 \text{ to } 1.9 \text{ V}$ | – | 1 | – | nA |
| $V_{bat(l)}$ | voltage at pin 19 for detecting low battery voltage | | – | 0.30 | – | V |
| I_{IB} | battery charge current | fast charge | 10 | – | 100 | μA |
| | | top-off mode | – | 3 | – | μA |
| $I_{IB(max)}$ | maximum battery charge current | voltage regulation full NiCd and NiMH battery | – | 10 | – | μA |
| $I_{IB(Lmax)}$ | maximum load current | no battery | – | 40 | – | μA |
| f_{osc} | oscillator frequency | | 10 | – | 200 | kHz |
| V_{reg} | regulating voltage | NiCd and NiMH (pin V_{stb} open-circuit) | – | 1.325 or V_{stb} | – | V |
| | | open battery | – | 1.9 | – | V |

Fast charge ICs for NiCd and NiMH batteries

TEA1103; TEA1103T; TEA1103TS

BLOCK DIAGRAM

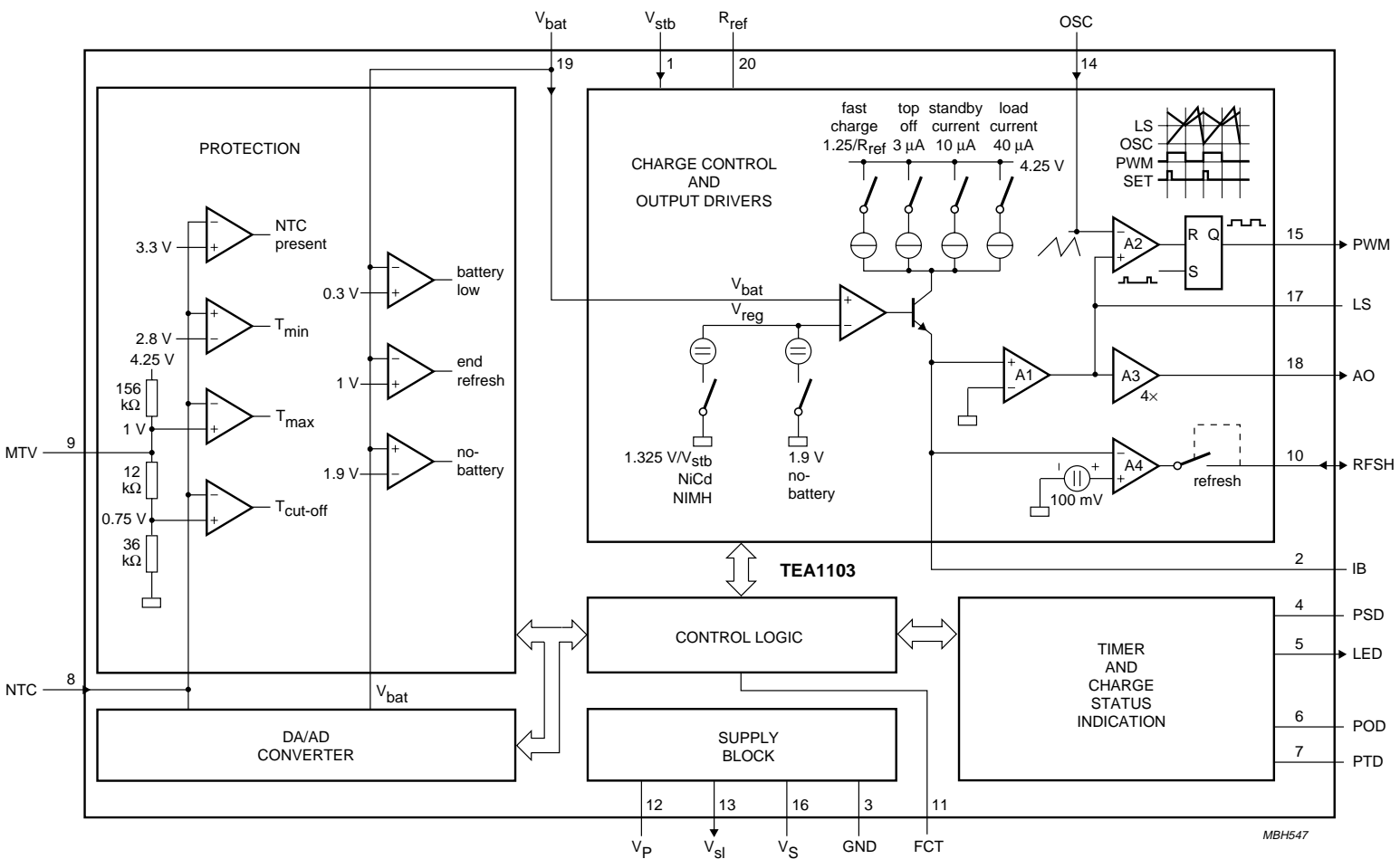


Fig.1 Block diagram.

Fast charge ICs for NiCd and NiMH batteries

TEA1103; TEA1103T;
TEA1103TS

PINNING

| SYMBOL | PIN | DESCRIPTION |
|------------------|-----|--|
| V _{stb} | 1 | standby regulation voltage input (NiCd and NiMH) |
| IB | 2 | charge current setting |
| GND | 3 | ground |
| PSD | 4 | program pin sample divider |
| LED | 5 | LED output |
| POD | 6 | program pin oscillator divider |
| PTD | 7 | program pin time-out divider |
| NTC | 8 | temperature sensing input |
| MTV | 9 | maximum temperature voltage |
| RFSH | 10 | refresh input/output |
| FCT | 11 | fast charge termination and battery chemistry identification |
| V _P | 12 | positive supply voltage |
| V _{sl} | 13 | switched reference voltage output |
| OSC | 14 | oscillator input |
| PWM | 15 | pulse width modulator output |
| V _S | 16 | stabilized reference voltage |
| LS | 17 | loop stability pin |
| AO | 18 | analog output |
| V _{bat} | 19 | single-cell battery voltage input |
| R _{ref} | 20 | reference resistor pin |

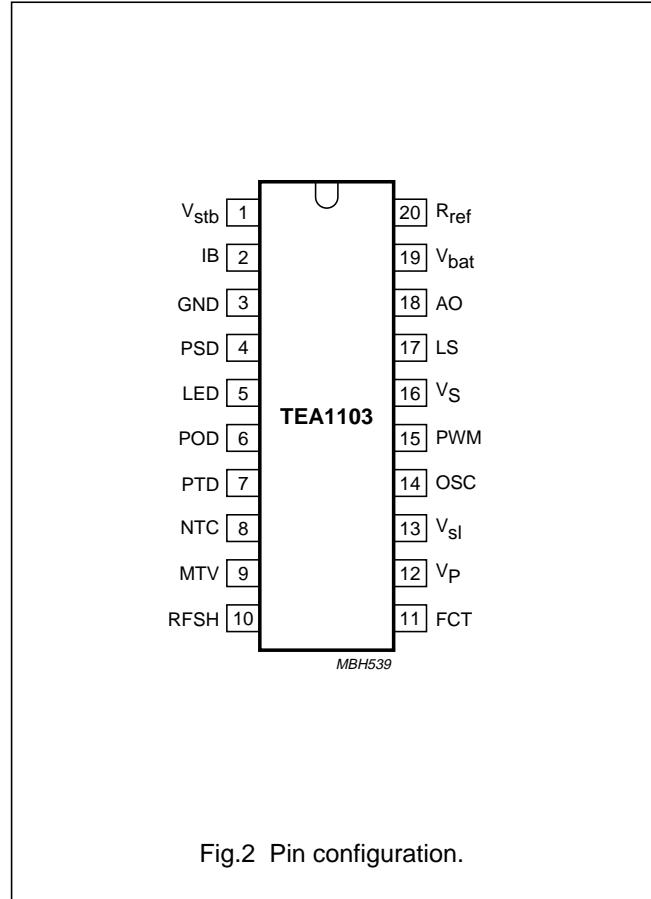


Fig.2 Pin configuration.

Fast charge ICs for NiCd and NiMH batteries

TEA1103; TEA1103T; TEA1103TS

INTRODUCTION

All battery types are initially fast charged with an adjustable high current. Fast charge termination depends upon the battery type. With NiCd and NiMH batteries the main fast charge termination will be the $\Delta T/\Delta t$ (temperature detection) and/or peak voltage detection.

The fast charge period is followed by a top-off period for NiCd and NiMH batteries. During the top-off period the NiCd and NiMH batteries are charged to maximum capacity by reduced adjustable charge current.

The top-off period ends after time-out or one hour respectively.

After the top-off period, the TEA1103x switches over to the standby mode. For NiCd and NiMH batteries either the voltage regulation or trickle charge mode can be selected. The voltage regulation mode is selected when the battery includes a fixed load. Trickle charge prevents a discharge of the battery over a long period of time.

Charging principles

CHARGING NiCd/NiMH BATTERIES

Fast charging of the battery begins when the power supply voltage is applied and at battery insertion.

During fast charge of NiCd and NiMH batteries, the battery temperature and voltage are monitored. Outside the initialized temperature and voltage window, the system switches over to the top-off charge current.

The TEA1103x supports detection of fully charged NiCd and NiMH batteries by either of the following criteria:

- $\Delta T/\Delta t$
- Voltage peak detection.

If the system is programmed with $\Delta T/\Delta t$ and V_{peak} or, $\Delta T/\Delta t$ or V_{peak} as the main fast charge termination, it automatically switches to voltage peak detection if the battery pack is not provided with a temperature sensing input (NTC). In this way both packages, with and without temperature sensor, can be used randomly independent of the applied full detection method. Besides $\Delta T/\Delta t$ and/or voltage peak detection, fast charging is also protected by temperature cut-off and time-out.

To avoid false fast charge termination by peak voltage detection or $\Delta T/\Delta t$, full detection is disabled during a short hold-off period at the start of a fast charge session. After fast charge termination, the battery is extra charged by a top-off period. During this period of approximately one hour, the charge current is lowered thus allowing the

battery to be charged to nearly 100% before the system switches over to standby.

After the battery has been charged to nearly 100% by the top-off period, discharge of the battery (caused by a load or by the self-discharge) can be avoided by voltage regulation or by trickle charge.

If batteries are charged in combination with a load, the TEA1103x can be programmed to apply voltage regulation during the standby mode. In this way, discharge of the battery caused by self-discharge or by an eventual load is avoided. The regulating voltage is adjustable to the voltage characteristic of the battery. For battery safety the charge current is limited and the temperature is monitored during voltage regulation. If a trickle charge is applied, the self-discharge of the battery will be compensated by a pulsating charge current.

To avoid the so called 'memory effect' in NiCd batteries, a refresh can be manually activated. The discharge current is regulated by the IC in combination with an external power transistor. After discharging the battery to 1 V per cell, the system automatically switches over to fast charge.

FUNCTIONAL DESCRIPTION

Control logic

The main function of the control logic is to support the communication between several blocks. It also controls the charge method, initialization and battery full detection. The block diagram of the TEA1103x is illustrated in Fig.1.

Conditioning charge method and initializations

At system switch-on, or at battery insertion, the control logic sets the initialization mode in the timer block. After the initialization time the timer program pins can be used to indicate the charging state using several LEDs. The charge method is defined at the same time by the following methods:

- If the FCT pin is floating, the system will charge the battery according to the charge characteristic of NiCd and NiMH batteries.
- The standby charge method (NiCd and NiMH), trickle charge or voltage regulation, is defined by the input pin V_{stb} . By biasing this voltage with a set voltage, the output voltage will be regulated to the V_{stb} set voltage. If this pin is connected to V_{S} , or no NTC is connected the system applies trickle charge.

Fast charge ICs for NiCd and NiMH batteries

TEA1103; TEA1103T; TEA1103TS

If pin RFSH is connected to ground by depressing the switch, the TEA1103x discharges the battery via an external transistor connected to pin RFSH. The discharge current is regulated with respect to the external (charge) sense resistor (R_{sense}). End-of-discharge is reached when the battery is discharged to 1 V per cell. Refreshing the battery can only be activated during charging of NiCd and NiMH batteries.

The inhibit mode has the main priority. This mode is activated when the V_{stb} input pin is connected to ground. Inhibit can be activated at any charge/discharge state, whereby the output control signals will be zero, all LEDs will be disabled and the charger timings will be set on hold. Table 1 gives an operational summary.

Table 1 Functionality of program pins

| FUNCTION | FCT | NTC | RFSH | V_{stb} |
|--|------------------------|------------------|------------------|-------------------------|
| Inhibit | X ⁽¹⁾ | X ⁽¹⁾ | X ⁽¹⁾ | low |
| Refresh | not low ⁽²⁾ | X ⁽¹⁾ | low | not low |
| $\Delta T/\Delta t$ detection | floating | note 3 | not low | not low |
| $\Delta T/\Delta t$ and voltage peak detection | high | note 3 | not low | not low |
| Voltage peak detection | not low | note 4 | not low | not low |
| Trickle charge at standby | not low | X ⁽¹⁾ | not low | high |
| | not low | note 4 | not low | not low |
| Voltage regulation at standby | not low | note 3 | not low | floating ⁽⁵⁾ |

Notes

1. Where X = don't care.
2. Not low means floating or high.
3. The NTC voltage has been to be less than 3.3 V, which indicates the presence of an NTC.
4. The NTC voltage is outside the window for NTC detection.
5. V_{stb} has to be floating or set to a battery regulating voltage in accordance with the specification.

Supply block

The supply block delivers the following outputs:

- A power-on reset pulse to reset all digital circuitry at battery insertion or supply switch-on. After a general reset the system will start fast charging the battery.
- A 4.25 V stabilized voltage source (V_S) is externally available. This source can be used to set the thermistor biasing, to initialize the programs, to supply the external circuitry for battery voltage based charge indication and to supply other external circuitry.
- A 4.25 V bias voltage (V_{SI}) is available for use for more indication LEDs. This output pin will be zero during the initialization period at start-up, thus avoiding any interference of the extra LEDs when initializing.

Charge control

The charge current is sensed via a low-ohmic resistor (R_{sense}), see Fig.4. A positive voltage is created across resistor R_b by means of a current source I_{ref} which is set by

R_{ref} in the event of fast charge and by an internal bias current source in the event of top-off and trickle charge (I_{IB}), see Fig.1. The positive node of R_b will be regulated to zero via error amplifier A1, which means that the voltage across R_b and R_{sense} will be the same. The fast charge current is defined by the following equation:

$$I_{fast} \times R_{sense} = R_b \times I_{ref} \tag{1}$$

The output of amplifier A1 is available at the loop stability pin LS, consequently the time constant of the current loop can be set. When V_{peak} (NiCd and NiMH) is applied, the current sensing for the battery voltage will be reduced, implying that the charge current will be regulated to zero during:

$$t_{sense} = 2^{10} \times POD \times t_{osc} \tag{2}$$

Actually battery voltage sensing takes place in the last oscillator cycle of this period.

Fast charge ICs for NiCd and NiMH batteries

TEA1103; TEA1103T; TEA1103TS

To avoid modulation on the output voltage, the top-off charge current is DC regulated, defined by the following equation:

$$I_{\text{top-off}} \times R_{\text{sense}} = R_b \times 3 \times 10^{-6} \quad (3)$$

where:

$$t_{\text{top-off}} = 2^{27} \times \text{TOD} \times t_{\text{osc}} \quad (4)$$

The top-off charge current will be approximately 0.15CA, which maximizes the charge in the battery under safe and slow charging conditions. The top-off charge period will be approximately one hour, so the battery will be extra charged with approximately 0.15 Q. In this way the battery is fully charged before the system switches over to standby.

When pin 1 (V_{stb}) is connected to V_S , or no NTC is connected the system compensates the (self) discharge of the battery by trickle charge. The trickle charge current will be pulsating, defined by the following equation:

$$I_{\text{trickle}} \times R_{\text{sense}} = R_b \times \frac{15}{16} \times 10^{-6} \quad (5)$$

During the non current periods at trickle charge the charge current is regulated to zero, so that the current for a load connected in series across the battery with the sense resistor will be supplied by the power supply and not by the battery.

If at pin 1 (V_{stb}) a reference voltage is set in accordance with the specification, and no NTC is connected the charge mode will switch over from current to voltage regulation after top-off. The reference regulating voltage can be adjusted to the battery characteristic by external resistors connected to pin V_{stb} .

This reference voltage has to be selected in such a way that it equals the rest voltage of the battery. By using voltage regulation, the battery will not be discharged at a load occurrence. If the V_{stb} input pin is floating, the TEA1103x will apply voltage regulation at 1.325 V during the standby mode (NiCd and NiMH). The current during voltage regulation is limited to 0.5CA. If the battery charge current is maximized to 0.5CA for more than 2 hours charging will be stopped. Moreover, if the temperature exceeds T_{max} , charging will be stopped completely. As voltage regulation is referred to one cell, the voltage on the V_{bat} pin must be the battery voltage divided by the number of cells (NiCd and NiMH).

When charging, the standby mode can only be entered after a certain period of time depending on time-out. To support full test of the TEA1103x at application, the standby mode is also entered when $V_{\text{bat}} < V_{\text{bat(l)}}$ at top-off.

Timer

The timing of the circuit is controlled by the oscillator frequency.

The timer block defines the maximum charging time by 'time-out'. At a fixed oscillator frequency, the time-out time can be adapted by the Programmable Time-out Divider (PTD) using the following equation.

$$t_{\text{time-out}} = 2^{26} \times \text{POD} \times \text{PTD} \times t_{\text{osc}} \quad (6)$$

The time-out timer is put on hold by low voltage, temperature protection and during the inhibit mode. The Programmable Oscillator Divider (POD) enables the oscillator frequency to be increased without affecting the sampling time and time-out. Raising the oscillator frequency will reduce the size of the inductive components that are used.

At fast charging, after battery insertion, after refresh or supply interruption, the full detector will be disabled for a period of time to allow a proper start with flat or inverse polarized batteries. This hold-off period is disabled at fast charging by raising pin V_{stb} to above ± 5 V (once).

So for test options it is possible to slip the hold-off period. The hold-off time is defined by the following equation:

$$t_{\text{hold-off}} = 2^{-5} \times t_{\text{time-out}} \quad (7)$$

Table 2 gives an overview of the settings of timing and discharge/charge currents.

Fast charge ICs for NiCd and NiMH
batteries

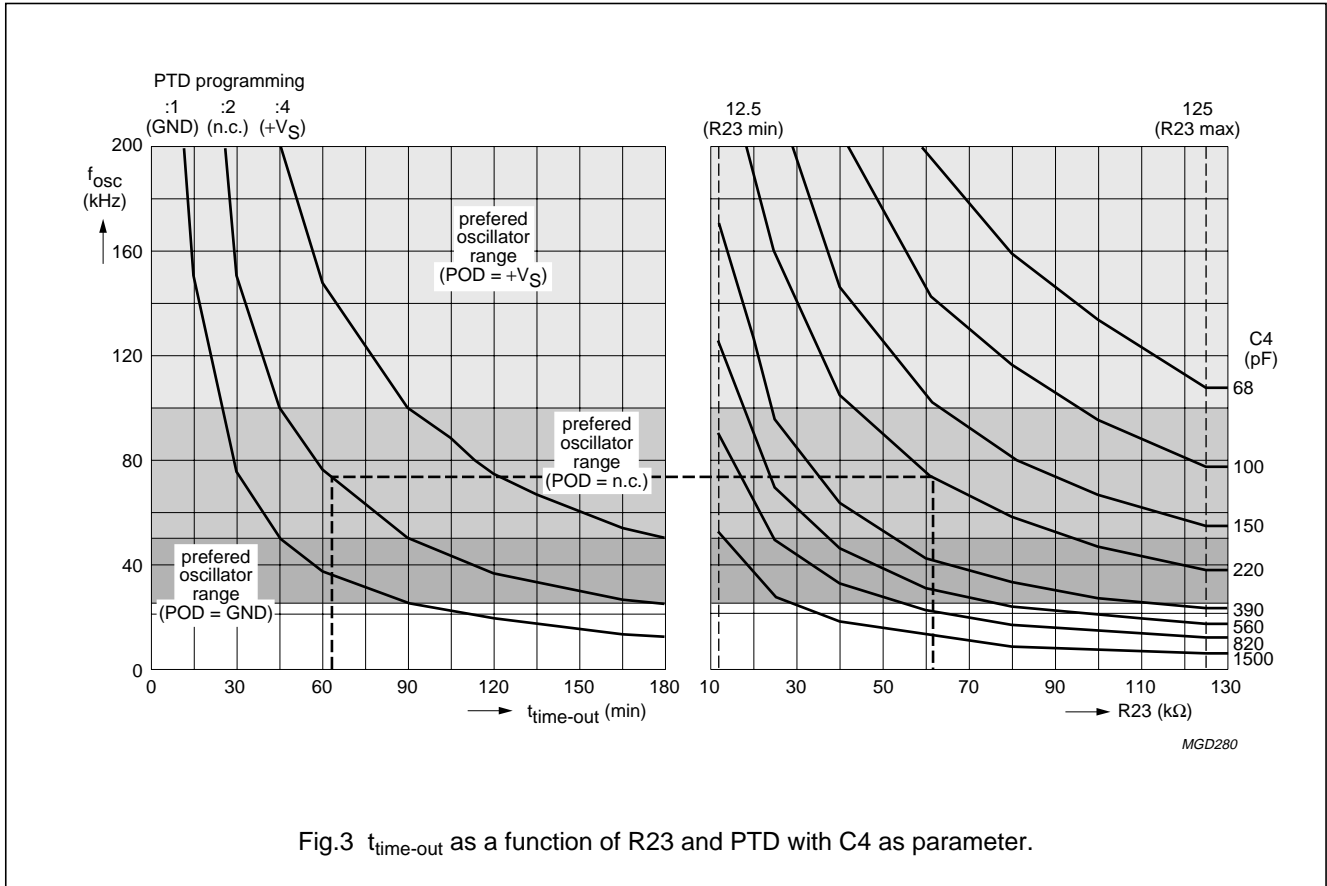
TEA1103; TEA1103T;
TEA1103TS

Table 2 Timing and current formulae

| SYMBOL | DESCRIPTION | FORMULAE |
|--|------------------------------------|---|
| t _{osc} | timing | see Fig.3 |
| T _{sampling} (ΔT/Δt) | NTC voltage sampling frequency | 2 ¹⁷ × POD × PSD × t _{osc} |
| T _{sampling} (V _{peak}) | battery voltage sampling frequency | 2 ¹⁶ × POD × t _{osc} |
| t _{top-off} | | 2 ²⁷ × POD × t _{osc} |
| t _{time-out} | | 2 ²⁶ × POD × PTD × t _{osc} |
| t _{hold-off} | | 2 ⁻⁵ × t _{time-out} |
| t _{LED} | inhibit or protection | 2 ¹⁴ × POD × t _{osc} |
| t _{sense} | | 2 ¹⁰ × POD × t _{osc} |
| t _{switch} | | 2 ²¹ × POD × PTD × t _{osc} |
| I _{fast} | charge/discharge currents | $\frac{R_b}{R_{sense}} \times \frac{V_{ref}}{R_{ref}}$ |
| I _{top-off} | | $\frac{R_b}{R_{sense}} \times 3 \times 10^{-6}$ |
| I _{trickle} | | $\frac{R_b}{R_{sense}} \times \frac{15}{16} \times 10^{-6}$ |
| I _{load-max} | | $\frac{R_b}{R_{sense}} \times 40 \times 10^{-6}$ |
| I _{RFSH} | | $\frac{100 \text{ mV}}{R_{sense}}$ |

Fast charge ICs for NiCd and NiMH batteries

TEA1103; TEA1103T; TEA1103TS



LED indication

With few external components, indication LEDs can be connected to the program pins and the LED pin of the TEA1103x. These program pins change their function from an input to an output pin after a short initialization time at system switch-on or battery insertion. Output pin V_{sl} enables the external LEDs to be driven and avoids interaction with the programming of the dividers during the initialization period.

The applied LEDs indicate:

- Protection
- Refresh
- Fast charge
- 100%
- No-battery.

The LED output pin can also indicate the charging state by one single LED. The indication LED can be connected directly to the LED output. This single LED indicates:

- Fast charge (LED on)
- 100% or refresh (LED off)
- Protection or inhibit (LED floating).

The refresh can be indicated by an extra LED connected to pin 4 (PSD). A buzzer can also be driven from the TEA1103x to indicate battery insertion end of refresh or full battery.

AD/DA converter

When battery full is determined by peak voltage detection, the V_{bat} voltage is sampled at a rate given by the following equation:

$$t_{\text{sampling}}(V_{\text{peak}}) = 2^{16} \times \text{POD} \times t_{\text{osc}} \tag{8}$$

The analog value of a V_{bat} sample is then digitized and stored in a register. On the following sample, the digitized value is converted back to the analog value of V_{bat} and compared with the 'new' V_{bat} sample.

Fast charge ICs for NiCd and NiMH batteries

TEA1103; TEA1103T;
TEA1103TS

At an increase of the battery voltage the 14-bit Analog-to-Digital Converter (ADC) is refreshed with this new value. Therefore, the digitized value always represents the maximum battery voltage. A decreased V_{bat} voltage is not stored, but is compared to the stored value.

Full is detected when the voltage decrease of V_{bat} is $\frac{1}{4}\%$ of the stored peak battery value. To avoid interference due to the resistance of the battery contacts during battery voltage sensing, the charge current is regulated to zero during $t = 2^{10} \times \text{POD} \times t_{\text{osc}}$, via the regulation pins AO and PWM. At the last period, the V_{bat} voltage is sensed and stored in a sample-and-hold circuit. This approach ensures very accurate detection of the battery full condition (minus $\frac{1}{4}\%$).

When battery full is determined by $\Delta T/\Delta t$, the voltage on the NTC pin is used as the input voltage to the AD/DA converter. The sampling time at $\Delta T/\Delta t$ sensing is given by the following equation:

$$t_{\text{sampling}} \left(\frac{\Delta T}{\Delta t} \right) = 2^{17} \times \text{POD} \times \text{PSD} \times t_{\text{osc}} \quad (9)$$

After this initialized sample time the new temperature voltage is compared to the preceding AD/DA voltage and the AD/DA is refreshed with this new value. A certain increase of the temperature is detected as full battery, depending on the initialization settings. The decision of full detection by $\Delta T/\Delta t$ or V_{peak} is digitally filtered thus avoiding false battery full detection.

Output drivers

The charge current regulation signal is available at two output pins, AO and PWM.

ANALOG OUTPUT

The analog control voltage output at pin 18 (AO) can be used to drive an opto-coupler in mains separated applications when an external resistor is connected between AO and the opto-coupler. The maximum current through the opto-coupler diode is 2 mA. The voltage gain of amplifier A2 is typical 11 dB (times 3.5). The DC voltage transfer is given by the following equation:

$$V_{\text{AO}} = 3.5 \times (V_{\text{LS}} - 1.35).$$

The AO output can be used for:

- Linear (DC) applications
- Not mains isolated SMPS with a separate controller
- Mains isolated SMPS, controlled by an opto-coupler.

PULSE WIDTH MODULATOR (PWM)

The LS voltage is compared internally with the oscillator voltage to deliver a pulse width modulated output at PWM (pin 15) to drive an output switching device in a SMPS converter application via a driver stage. The PWM output is latched to prevent multi-pulsing. The maximum duty factor is internally fixed to 79% (typ.). The PWM output can be used for synchronization and duty factor control of a primary SMPS via a pulse transformer.

Fast charge ICs for NiCd and NiMH batteries

TEA1103; TEA1103T;
TEA1103TS

LIMITING VALUES

In accordance with the Absolute Maximum Rating System (IEC 134); note 1

| SYMBOL | PARAMETER | CONDITIONS | MIN. | TYP. | MAX. | UNIT |
|---------------------|---------------------------------|--------------------------|------|------|---------|--------------------|
| Voltages | | | | | | |
| V_P | positive supply voltage | | -0.5 | - | +11.5 | V |
| V_{oLED} | output voltage at pin 5 | | -0.5 | - | +15 | V |
| V_n | voltage at pins PWM, LS and NTC | | -0.5 | - | + V_S | V |
| V_{IB} | voltage at pin 2 | | -0.5 | - | +1.0 | V |
| Currents | | | | | | |
| I_{VS} | current at pin 16 | | -3 | - | +0.01 | mA |
| I_{Vsl} | current at pin 13 | | -1 | - | +0.3 | mA |
| I_{oLED} | output current at pin 5 | | - | - | 12 | mA |
| I_{AO} | output current at pin 18 | | -10 | - | +0.05 | mA |
| I_{oPWM} | output current at pin 15 | | -15 | - | +14 | mA |
| I_{Rref} | current at pin 20 | | -1 | - | +0.01 | mA |
| I_P | positive supply current | $T_j < 100\text{ °C}$ | - | - | 30 | mA |
| $I_{P(stb)}$ | supply standby current | $V_P = 4\text{ V}$ | - | 35 | 45 | μA |
| Dissipation | | | | | | |
| P_{tot} | total power dissipation | $T_{amb} = 85\text{ °C}$ | | | | |
| | SOT146-1 | | - | - | 1.2 | W |
| | SOT163-1 | | - | - | 0.6 | W |
| | SOT339-1 | | - | - | 0.45 | W |
| Temperatures | | | | | | |
| T_{amb} | operating ambient temperature | | -20 | - | +85 | $^{\circ}\text{C}$ |
| T_j | junction temperature | | - | - | 150 | $^{\circ}\text{C}$ |
| T_{stg} | storage temperature | | -55 | - | +150 | $^{\circ}\text{C}$ |

Note

- All voltages are measured with respect to ground; positive currents flow into the IC; all pins not mentioned in the voltage list are not allowed to be voltage driven. The voltage ratings are valid provided that other ratings are not violated; current ratings are valid provided that the power rating is not violated.

QUALITY SPECIFICATION

In accordance with the general quality specification for integrated circuits: "SNW-FQ-611E".

Fast charge ICs for NiCd and NiMH batteries

TEA1103; TEA1103T; TEA1103TS

CHARACTERISTICS

$V_P = 10\text{ V}$; $T_{\text{amb}} = 25\text{ °C}$; $R_{\text{ref}} = 62\text{ k}\Omega$; unless otherwise specified.

| SYMBOL | PARAMETER | CONDITIONS | MIN. | TYP. | MAX. | UNIT |
|--|--|--|--------------|-------------|--------------|---------------|
| Supplies; pins V_P, V_S, R_{ref} and V_{sl} | | | | | | |
| V_P | supply voltage | | 5.5 | – | 11.5 | V |
| I_P | supply current | outputs off; $V_P = 11.5\text{ V}$ | – | 4 | 6 | mA |
| I_{stb} | standby current | $V_P = 4\text{ V}$ | – | 35 | 45 | μA |
| V_{clamp} | clamping voltage (pin 12) | $I_{\text{clamp}} = 30\text{ mA}$ | 11.5 | – | 12.8 | V |
| V_{start} | start voltage | | 6.1 | 6.4 | 6.7 | V |
| V_{LSP} | low supply protection level | | 5.1 | 5.3 | 5.5 | V |
| V_S | source voltage (stabilized) | $I_S = 2\text{ mA}$ | 4.14 | 4.25 | 4.36 | V |
| V_{SL} | LED source voltage | $I_{\text{LED}} = 50\text{ }\mu\text{A}$ | 4.05 | 4.25 | 4.45 | V |
| V_{ref} | reference voltage | $I_{\text{ref}} = 20\text{ }\mu\text{A}$; $V_P = 10\text{ V}$ | 1.21 | 1.25 | 1.29 | V |
| $\text{TC}_{V_{\text{ref}}}$ | temperature coefficient of the reference voltage | $T_{\text{amb}} = 0\text{ to }45\text{ °C}$; $I_{\text{ref}} = 20\text{ }\mu\text{A}$; $V_{\text{ref}} = 1.25\text{ V}$ | 0 | ± 60 | ± 120 | ppm/K |
| $\Delta V_{\text{ref}}/\Delta V_P$ | power supply rejection ratio of the reference voltage | $f = 100\text{ Hz}$; $V_P = 8\text{ V}$; $\Delta V_P = 2\text{ V (p-p)}$ | –46 | – | – | dB |
| ΔV_{ref} | load rejection of source voltage | $\Delta I_S = 20\text{ mA}$; $V_P = 10\text{ V}$ | – | – | 5 | mV |
| I_{Rref} | current range of reference resistor | | 10 | – | 100 | μA |
| Charge current regulation; pins I_B and R_{ref} | | | | | | |
| I_B/I_{ref} | fast charge ratio | $V_{IB} = 0$ $I_{\text{ref}} = 10\text{ }\mu\text{A}$ $I_{\text{ref}} = 100\text{ }\mu\text{A}$ | 0.93 0.93 | 1.03 1.0 | 1.13 1.07 | |
| V_{thIB} | threshold voltage at pin I_B | $T_{\text{amb}} = 25\text{ °C}$ | –2 | – | +2 | mV |
| | | $T_{\text{amb}} = 0\text{ to }45\text{ °C}$ | –3 | – | +3 | mV |
| I_B | charge current | top-off mode; $V_{IB} = 0$ | 2.6 | 3.2 | 3.8 | μA |
| $I_{B(\text{max})}$ | maximum charge current | voltage regulation full NiCd/NiMH battery; $V_{IB} = 0$ | 9 | 10.5 | 12 | μA |
| $I_{B(\text{Lmax})}$ | maximum load current | open battery; $V_{IB} = 0$ | 34 | 42 | 50 | μA |
| $I_{B(\text{LI})}$ | input leakage current | currentless mode | – | – | 170 | nA |
| Refresh; pin R_{FSH} | | | | | | |
| V_{Rsense} | sense resistor voltage | $I_{\text{refresh}} = \frac{V_{IB}}{R_{\text{sense}}}$; refresh mode; $I_{\text{refresh}} = 18\text{ mA}$ | 75 | 100 | 125 | mV |
| V_{RFSH} | refresh voltage for programming start of refresh | NiCd/NiMH | 0 | – | 250 | mV |
| V_{bat} | voltage at pin V_{bat} for detecting end of refresh | NiCd/NiMH | 0.96 | 1.0 | 1.04 | V |

Fast charge ICs for NiCd and NiMH batteries

TEA1103; TEA1103T; TEA1103TS

| SYMBOL | PARAMETER | CONDITIONS | MIN. | TYP. | MAX. | UNIT |
|---|--|--|---------------|-----------|---------------|---------------|
| $I_{source(max)}$ | maximum source current | $V_{IB} = 75 \text{ mV}$; $V_P = 10 \text{ V}$ $V_{RFSH} = 2.7 \text{ V}$; $T_{amb} = 25 \text{ }^\circ\text{C}$ | 1.4 | 2 | 2.6 | mA |
| $V_{RFSH(max)}$ | maximum refresh voltage | $I_{RFSH} = 1 \text{ mA}$ | 2.7 | – | – | V |
| $V_{RFSH(off)}$ | voltage at pin RFSH when refresh is off | | 700 | 770 | 840 | mV |
| Temperature related inputs; pins NTC and MTV | | | | | | |
| V_{NTCh} | input voltage at pin NTC for detecting high temperature | pin MTV open-circuit | 0.9 | 1 | 1.1 | V |
| | | MTV setting | 0.95MTV | MTV | 1.05MTV | V |
| $V_{NTCh(hy)}$ | hysteresis of V_{NTCh} | | – | 80 | – | mV |
| V_{NTCl} | input voltage at pin NTC, detecting low temperature | | 2.7 | 2.8 | 2.9 | V |
| $V_{NTCl(hy)}$ | hysteresis of V_{NTCl} | | – | 75 | – | mV |
| $V_{NTC(co)}$ | input voltage at pin NTC for detecting temperature cut-off | | 0.7MTV | 0.75MTV | 0.8MTV | V |
| $V_{NTC(bat)}$ | maximum input voltage at pin NTC for detecting battery with NTC | | 3.22 | 3.3 | 3.38 | V |
| I_{NTC} | input current at pin NTC | $V_{NTC} = 2 \text{ V}$ | –5 | – | +5 | μA |
| V_{MTV} | voltage level at pin MTV | default (open-circuit) | 0.95 | 1 | 1.05 | V |
| | | | 0.5 | – | 2.5 | V |
| $\Delta V_{NTC}/V_{NTC}$ | $\Delta T/\Delta t$ detection level | $V_{NTC} = 2 \text{ V}$; $T_j = 0 \text{ to } 50 \text{ }^\circ\text{C}$ | – | –0.25 | – | % |
| Voltage regulation | | | | | | |
| V_{reg} | regulation voltage | NiCd and NiMH; pin V_{stb} open-circuit | 1.34 | 1.325 | 1.40 | V |
| | | NiCd and NiMH; $V_{stb} = 1.5 \text{ V}$ | $0.99V_{stb}$ | V_{stb} | $1.01V_{stb}$ | V |
| | | open battery | 1.86 | 1.9 | 1.94 | V |
| TC_{Vreg} | temperature coefficient of regulation voltage | $V_{reg} = 1.325 \text{ V}$; $T_{amb} = 0 \text{ to } 45 \text{ }^\circ\text{C}$ | 0 | ± 60 | ± 120 | ppm/K |
| g_m | transconductance of amplifier A3 | $V_{bat} = 1.9 \text{ V}$; no battery mode | – | 2.0 | – | mA/V |
| Program pin V_{stb} | | | | | | |
| V_{stb} | open voltage at pin V_{stb} | | 1.30 | 1.325 | 1.35 | V |
| $V_{stb(im)}$ | voltage at pin V_{stb} for programming inhibit mode | | 0 | – | 0.8 | V |
| $V_{stb(st)}$ | voltage at pin V_{stb} for programming voltage regulation at standby | NiCd and NiMH | 1.0 | – | 2.2 | V |
| $V_{stb(tc)}$ | voltage at pin V_{stb} for programming trickle charge at standby | NiCd and NiMH | 2.6 | – | V_S | V |

Fast charge ICs for NiCd and NiMH batteries

TEA1103; TEA1103T; TEA1103TS

| SYMBOL | PARAMETER | CONDITIONS | MIN. | TYP. | MAX. | UNIT |
|---------------------------------------|--|---|------|------|----------------|------|
| Program pins; PSD, POD and PTD | | | | | | |
| V _{4,6,7} | voltage level at pins PSD, POD or PTD | default (open-circuit) | 1.9 | 2.1 | 2.3 | V |
| V _{4,6,7(1)} | voltage level at pins PSD, POD or PTD for programming the divider = 1 | | 0 | – | 1.2 | V |
| V _{4,6,7(2)} | voltage level at pins PSD, POD or PTD for programming the divider = 2 | | 1.6 | – | 2.5 | V |
| V _{4,6,7(4)} | voltage level at pins PSD, POD or PTD for programming the divider = 4 | | 3.1 | – | V _S | V |
| I _{PODsink} | protection current for multi-LED indication | V _{POD} = 1.5 V | 8 | 10 | 12 | mA |
| I _{PTDsink} | full battery current for multi-LED indication | V _{PTD} = 1.5 V | 8 | 10 | 12 | mA |
| I _{PSDsink} | refresh current for multi-LED indication | V _{PSD} = 1.5 V | 8 | 10 | 12 | mA |
| I _{LI} | input leakage current | V _{POD} = 4.25 V; V _{PTD} = 4.25 V; V _{PSD} = 4.25 V | 0 | – | 50 | μA |
| Program pin FCT | | | | | | |
| V _{FCT(or)} | voltage level for programming ΔT/Δt or V _{peak} as fast charge termination | NiCd and NiMH | 0.0 | – | 3.3 | V |
| V _{FCT(and)} | voltage level for programming ΔT/Δt and V _{peak} as fast charge termination | NiCd and NiMH | 3.7 | – | V _S | V |
| V _{FCT} | voltage level at pin FCT | default (open-circuit) | 2.3 | 2.6 | 2.9 | V |
| Program pin LED | | | | | | |
| V _{LED(m)} | output voltage level for programming multi-LED indication | | 0 | – | 2.5 | V |
| V _{LED(s)} | output voltage level for programming single LED indication | | 3.1 | – | V _P | V |
| I _{sink(max)} | maximum sink current | V _{LED} = 1.5 V | 8 | 10 | 12 | mA |
| I _{LI(LED)} | input leakage current | V _{LED} = 10 V | 0 | – | 70 | μA |
| | | V _{LED} = 0.6 V | 0 | – | 5 | μA |
| V _{o(max)} | maximum output voltage | | – | – | 15 | V |

Fast charge ICs for NiCd and NiMH batteries

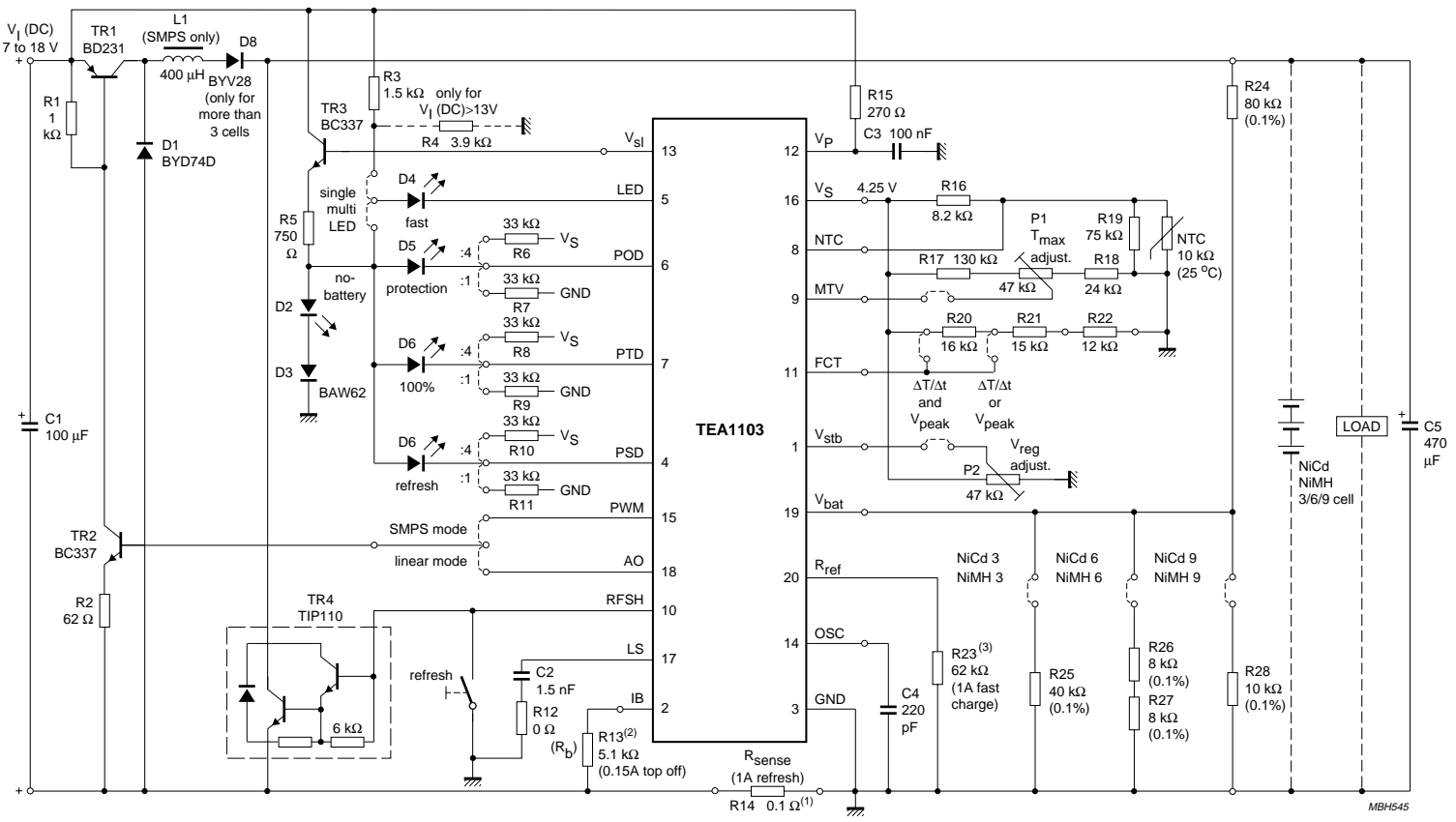
TEA1103; TEA1103T; TEA1103TS

| SYMBOL | PARAMETER | CONDITIONS | MIN. | TYP. | MAX. | UNIT |
|--|--|---|------|-------|------|-----------------|
| Output drivers; AO, LS and PWM | | | | | | |
| $I_{AO(source)}$ | analog output source current | $V_{AO} = 3\text{ V (p-p)}$; $V_{LS} = 2.8\text{ V}$ | -9 | - | 0 | mA |
| $I_{AO(sink)}$ | analog output sink current | $V_{AO} = 3\text{ V (p-p)}$; $V_{LS} = 1.2\text{ V}$ | 50 | - | - | μA |
| g_{m1} | transconductance of amplifier A1 | $V_{IB} = 50\text{ mV}$ | - | 250 | - | $\mu\text{A/V}$ |
| $G_{V1,2}$ | voltage gain of amplifiers A1 and A2 | $V_{AO} = 3\text{ V (p-p)}$ | - | 72 | - | dB |
| G_{V2} | voltage gain of amplifier A2 | $V_{AO} = 2\text{ V (p-p)}$ | - | 11 | - | dB |
| $I_{LS(source)}$ | maximum source current (pin LS) | $V_{LS} = 2.25\text{ V}$ | -25 | -21 | -16 | μA |
| $I_{LS(sink)}$ | maximum sink current (pin LS) | $V_{LS} = 2.25\text{ V}$ | 16 | 21 | 25 | μA |
| $I_{OH(PWM)}$ | HIGH level output current | $V_{PWM} = 3\text{ V}$ | -19 | -15 | -11 | mA |
| $I_{OL(PWM)}$ | LOW level output current | $V_{PWM} = 0.7\text{ V}$ | 10 | 14 | 18 | mA |
| δ_{PWM} | maximum duty factor | | - | 79 | - | % |
| Battery monitor; V_{bat} | | | | | | |
| $I_{V_{bat}}$ | battery monitor input current | $V_{bat} = 1.85\text{ V}$ | - | 1 | - | nA |
| V_{bat} | voltage range of V_{peak} detection | | 0.3 | - | 2 | V |
| $\Delta V_{bat}/V_{bat}$ | V_{peak} detection level with respect to top level | $V_{bat} = 1.85\text{ V}$; $T_j = 0\text{ to }50\text{ }^\circ\text{C}$ | - | -0.25 | - | % |
| ΔV_{bat} | voltage resolution for V_{peak} | | - | 0.6 | - | mV |
| Protections; V_{bat} | | | | | | |
| $V_{bat(l)}$ | maximum voltage at pin V_{bat} for detecting low battery voltage | | 0.25 | 0.30 | 0.35 | V |
| Oscillator; pin OSC | | | | | | |
| $V_{osc(H)}$ | HIGH level oscillator switching voltage | | - | 2.5 | - | V |
| $V_{osc(L)}$ | LOW level oscillator switching voltage | | - | 1.5 | - | V |
| $f_{osc(min)}$ | minimum oscillator frequency | $R_{ref} = 125\text{ k}\Omega$; $C_{osc} = 400\text{ pF}$ | 20.9 | 23 | 25.1 | kHz |
| $f_{osc(max)}$ | maximum oscillator frequency | $R_{ref} = 12.5\text{ k}\Omega$; $C_{osc} = 400\text{ pF}$ | 158 | 174 | 190 | kHz |

Fast charge ICs for NiCd and NiMH batteries

TEA1103, TEA1103T, TEA1103TS

APPLICATION INFORMATION



- (1) $R_{14} = \frac{100 \text{ mV}}{I_{\text{refresh}}}$ or $R_{14} = \frac{100 \text{ mV}}{I_{\text{fast-charge}}}$ if not applicable.
- (2) $R_{13} = \frac{R_{14} \times I_{\text{top-off}}}{3 \mu\text{A}}$
- (3) $R_{23} = \frac{1.25 \times R_{13}}{R_{14} \times I_{\text{fast-charge}}}$

Fig.4 Basic test board diagram.

Fast charge ICs for NiCd and NiMH batteries

TEA1103; TEA1103T; TEA1103TS

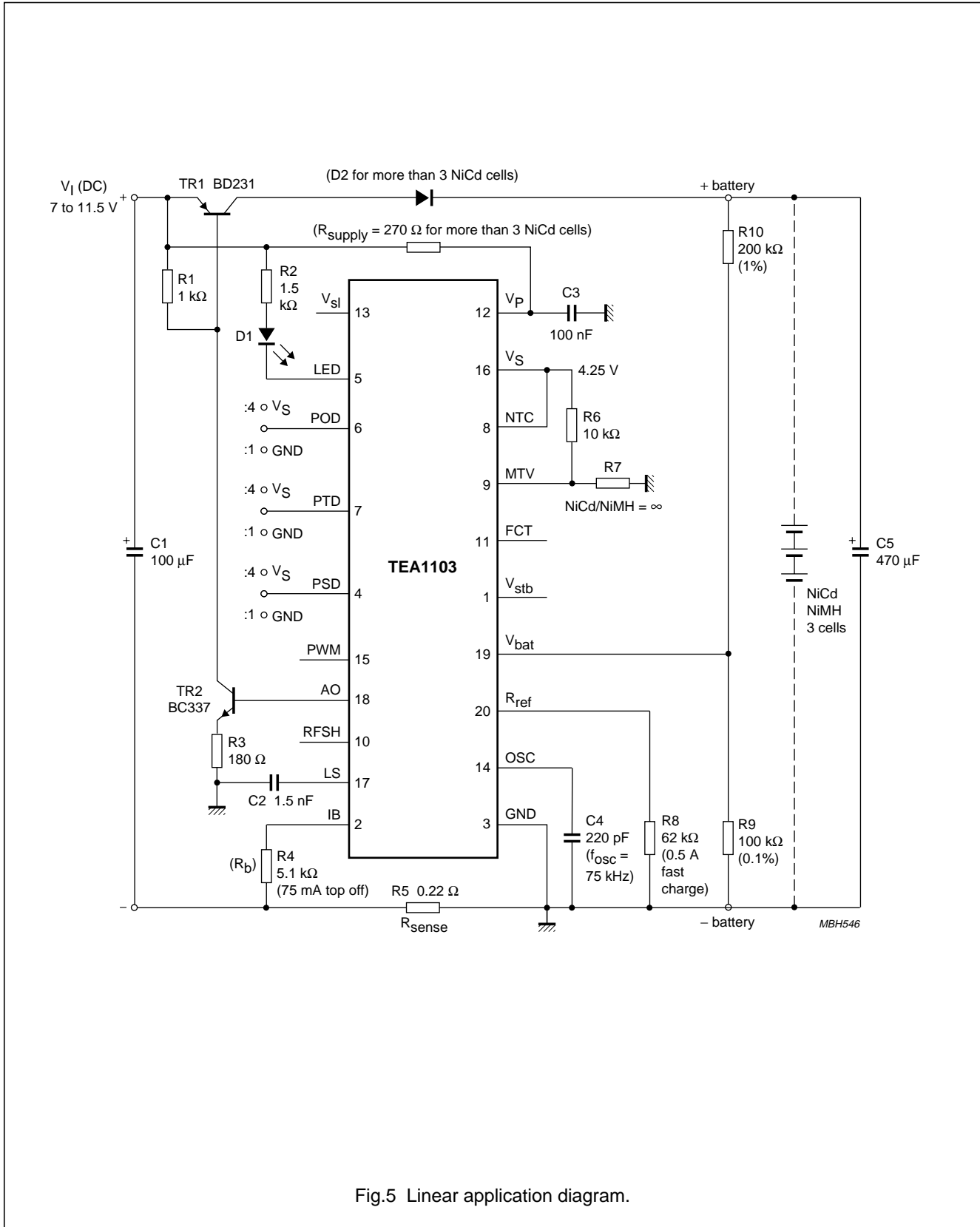
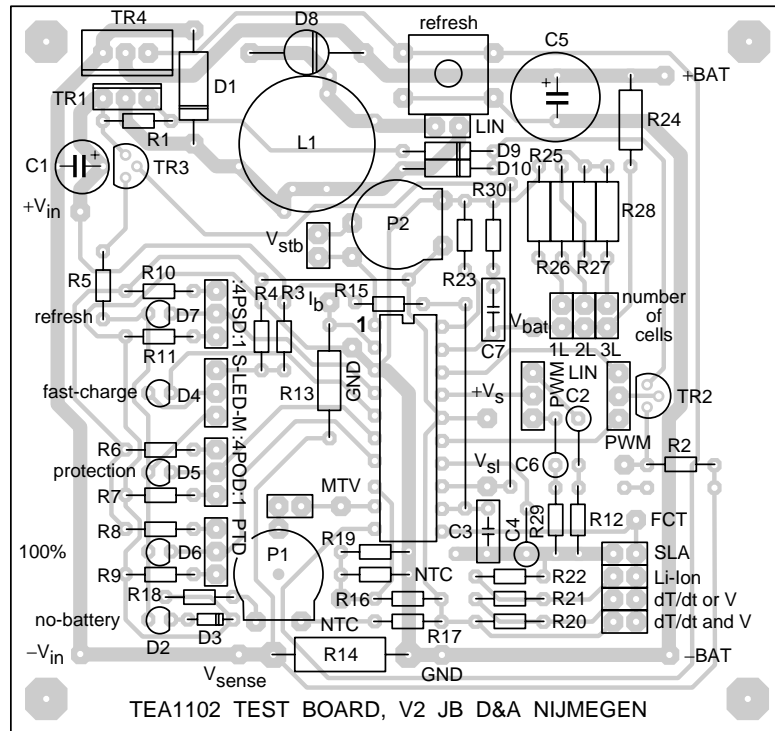


Fig.5 Linear application diagram.

Fast charge ICs for NiCd and NiMH
batteries

TEA1103; TEA1103T;
TEA1103TS

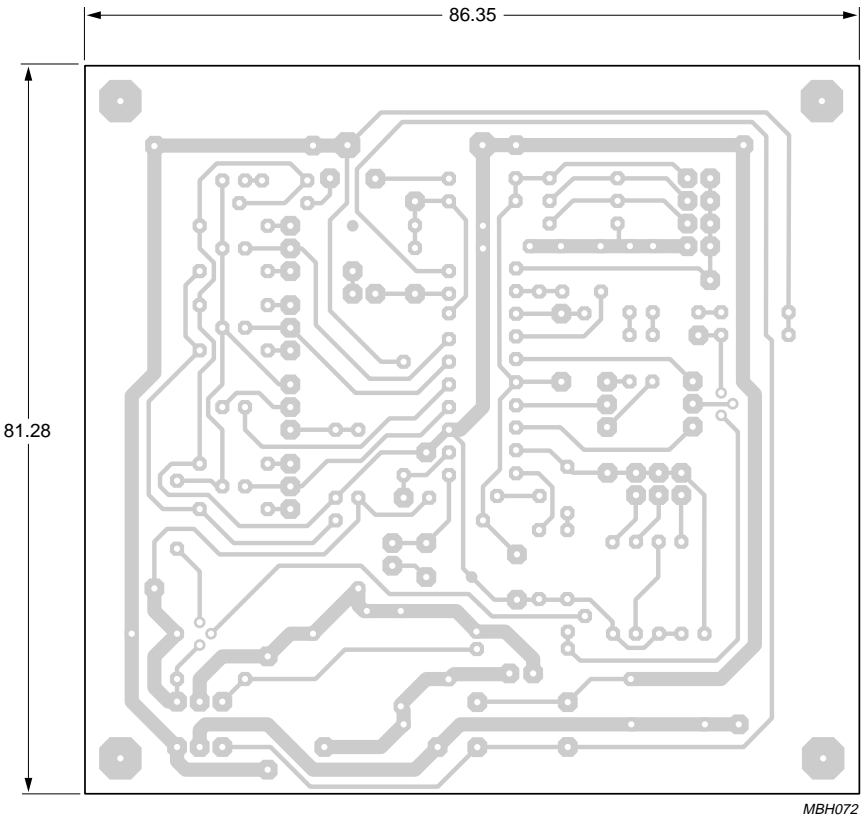


This test board (designed for the TEA1102x) can also be used for the TEA1103x.

Fig.6 Component side of printed-circuit board (test board).

Fast charge ICs for NiCd and NiMH
batteries

TEA1103; TEA1103T;
TEA1103TS



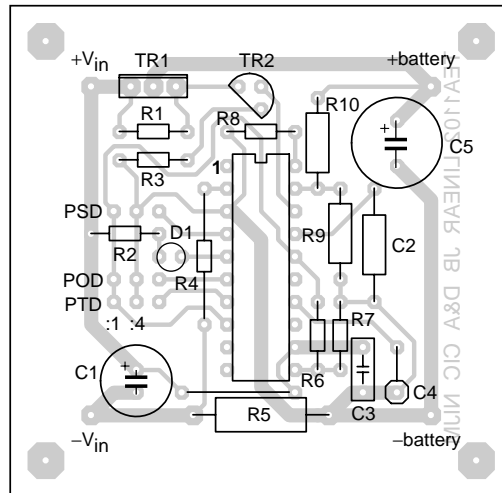
MBH072

Dimensions in mm.

Fig.7 Track side of printed-circuit board (test board).

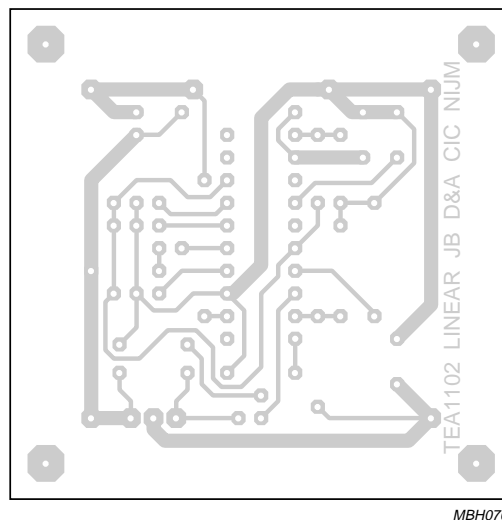
Fast charge ICs for NiCd and NiMH batteries

TEA1103; TEA1103T;
TEA1103TS



This printed-circuit board (designed for the TEA1102x) can also be used for the TEA1103x.

Fig.8 Component side of printed-circuit board (linear application).



This printed-circuit board (designed for the TEA1102x) can also be used for the TEA1103x.

Fig.9 Track side of printed-circuit board (linear application).

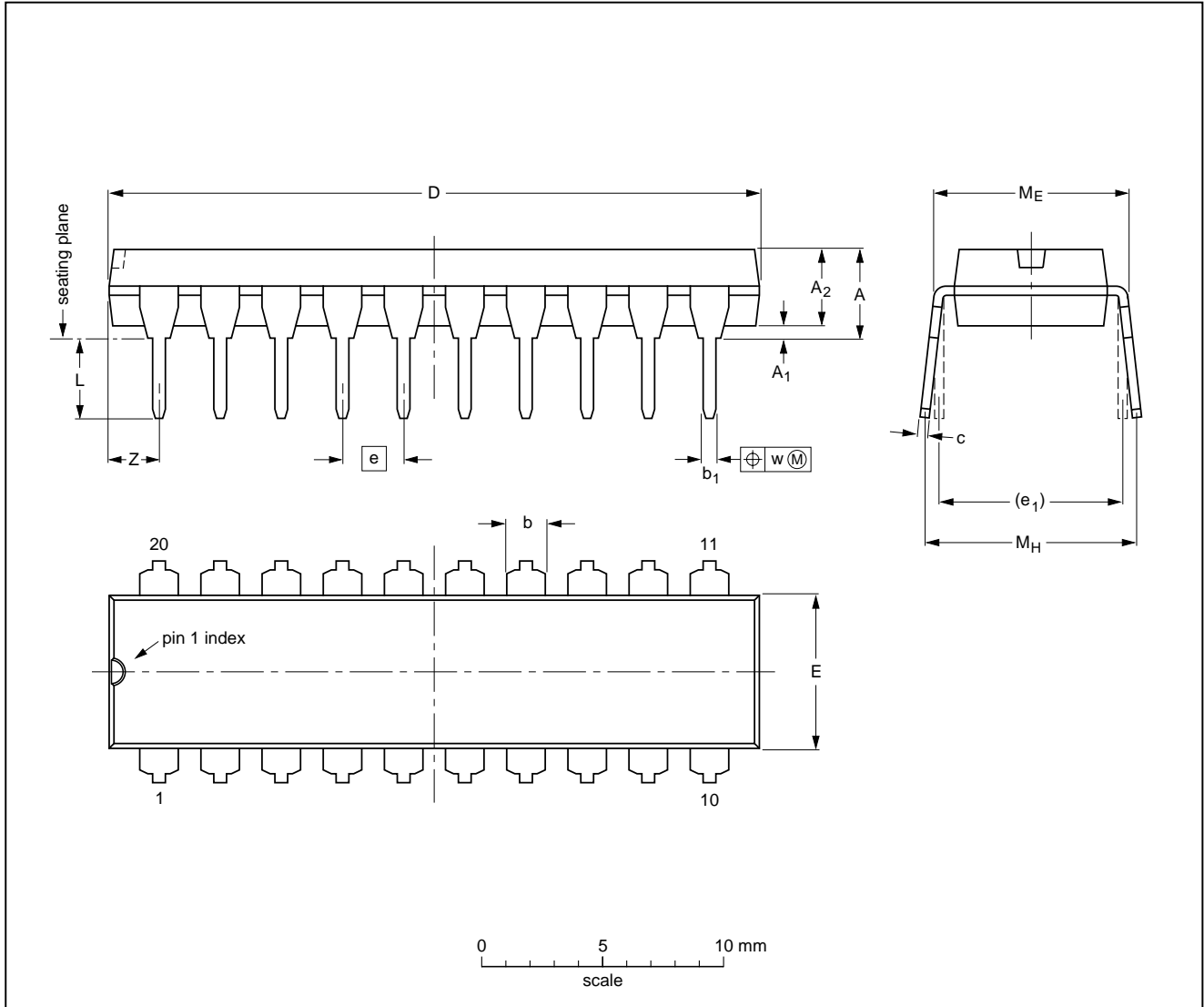
Fast charge ICs for NiCd and NiMH batteries

TEA1103; TEA1103T;
TEA1103TS

PACKAGE OUTLINES

DIP20: plastic dual in-line package; 20 leads (300 mil)

SOT146-1



DIMENSIONS (inch dimensions are derived from the original mm dimensions)

| UNIT | A max. | A ₁ min. | A ₂ max. | b | b ₁ | c | D ⁽¹⁾ | E ⁽¹⁾ | e | e ₁ | L | M _E | M _H | w | Z ⁽¹⁾ max. |
|--------|--------|---------------------|---------------------|----------------|----------------|----------------|------------------|------------------|------|----------------|--------------|----------------|----------------|-------|-----------------------|
| mm | 4.2 | 0.51 | 3.2 | 1.73 1.30 | 0.53 0.38 | 0.36 0.23 | 26.92 26.54 | 6.40 6.22 | 2.54 | 7.62 | 3.60 3.05 | 8.25 7.80 | 10.0 8.3 | 0.254 | 2.0 |
| inches | 0.17 | 0.020 | 0.13 | 0.068 0.051 | 0.021 0.015 | 0.014 0.009 | 1.060 1.045 | 0.25 0.24 | 0.10 | 0.30 | 0.14 0.12 | 0.32 0.31 | 0.39 0.33 | 0.01 | 0.078 |

Note

1. Plastic or metal protrusions of 0.25 mm maximum per side are not included.

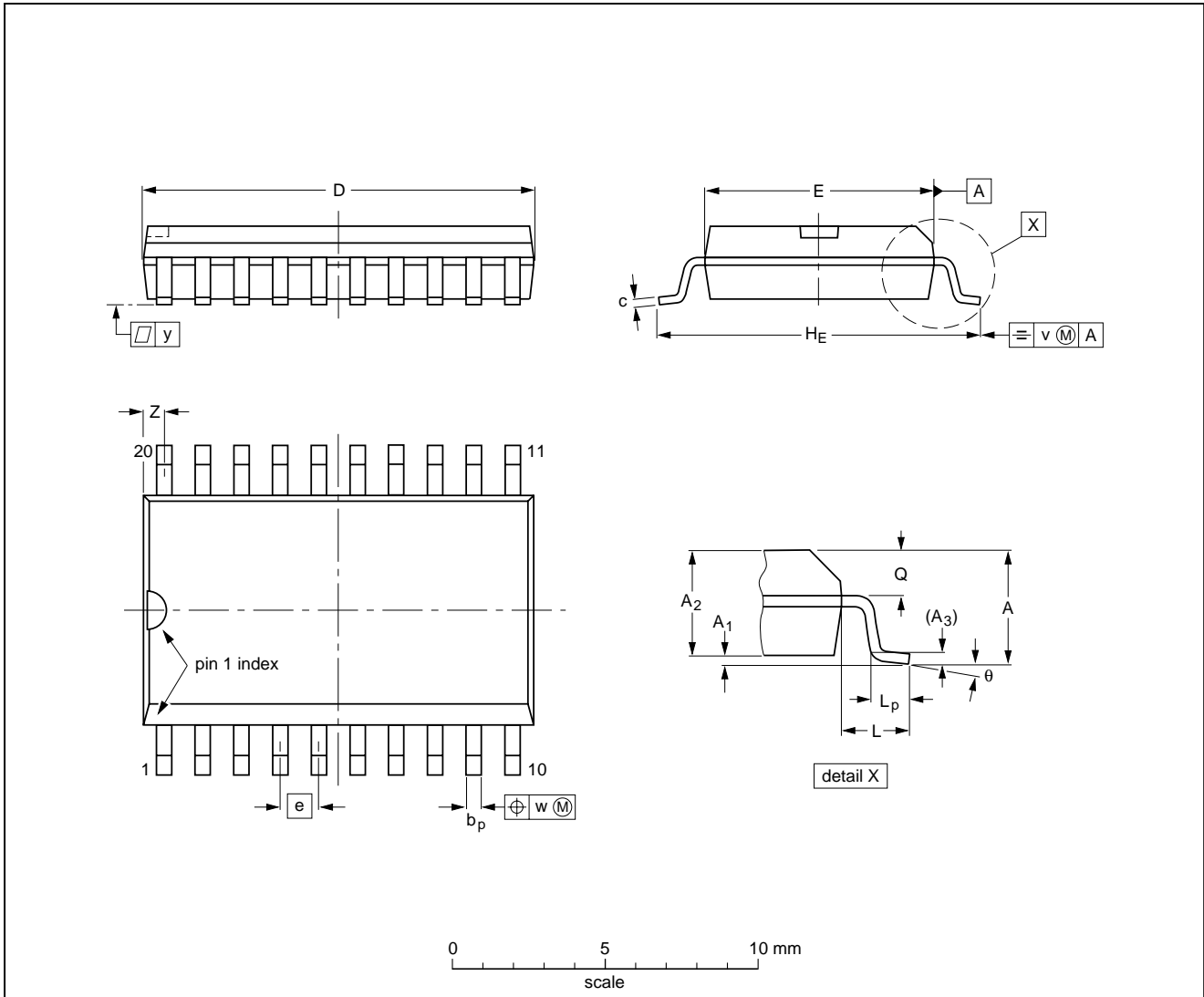
| OUTLINE VERSION | REFERENCES | | | | EUROPEAN PROJECTION | ISSUE DATE |
|-----------------|------------|-------|-------|--|---------------------|----------------------|
| | IEC | JEDEC | EIAJ | | | |
| SOT146-1 | | | SC603 | | | 92-11-17 95-05-24 |

Fast charge ICs for NiCd and NiMH batteries

TEA1103; TEA1103T;
TEA1103TS

SO20: plastic small outline package; 20 leads; body width 7.5 mm

SOT163-1



DIMENSIONS (inch dimensions are derived from the original mm dimensions)

| UNIT | A max. | A ₁ | A ₂ | A ₃ | b _p | c | D ⁽¹⁾ | E ⁽¹⁾ | e | H _E | L | L _p | Q | v | w | y | Z ⁽¹⁾ | θ |
|--------|--------|----------------|----------------|----------------|----------------|----------------|------------------|------------------|-------|----------------|-------|----------------|----------------|------|------|-------|------------------|----------|
| mm | 2.65 | 0.30 0.10 | 2.45 2.25 | 0.25 | 0.49 0.36 | 0.32 0.23 | 13.0 12.6 | 7.6 7.4 | 1.27 | 10.65 10.00 | 1.4 | 1.1 0.4 | 1.1 1.0 | 0.25 | 0.25 | 0.1 | 0.9 0.4 | 8° 0° |
| inches | 0.10 | 0.012 0.004 | 0.096 0.089 | 0.01 | 0.019 0.014 | 0.013 0.009 | 0.51 0.49 | 0.30 0.29 | 0.050 | 0.419 0.394 | 0.055 | 0.043 0.016 | 0.043 0.039 | 0.01 | 0.01 | 0.004 | 0.035 0.016 | |

Note

1. Plastic or metal protrusions of 0.15 mm maximum per side are not included.

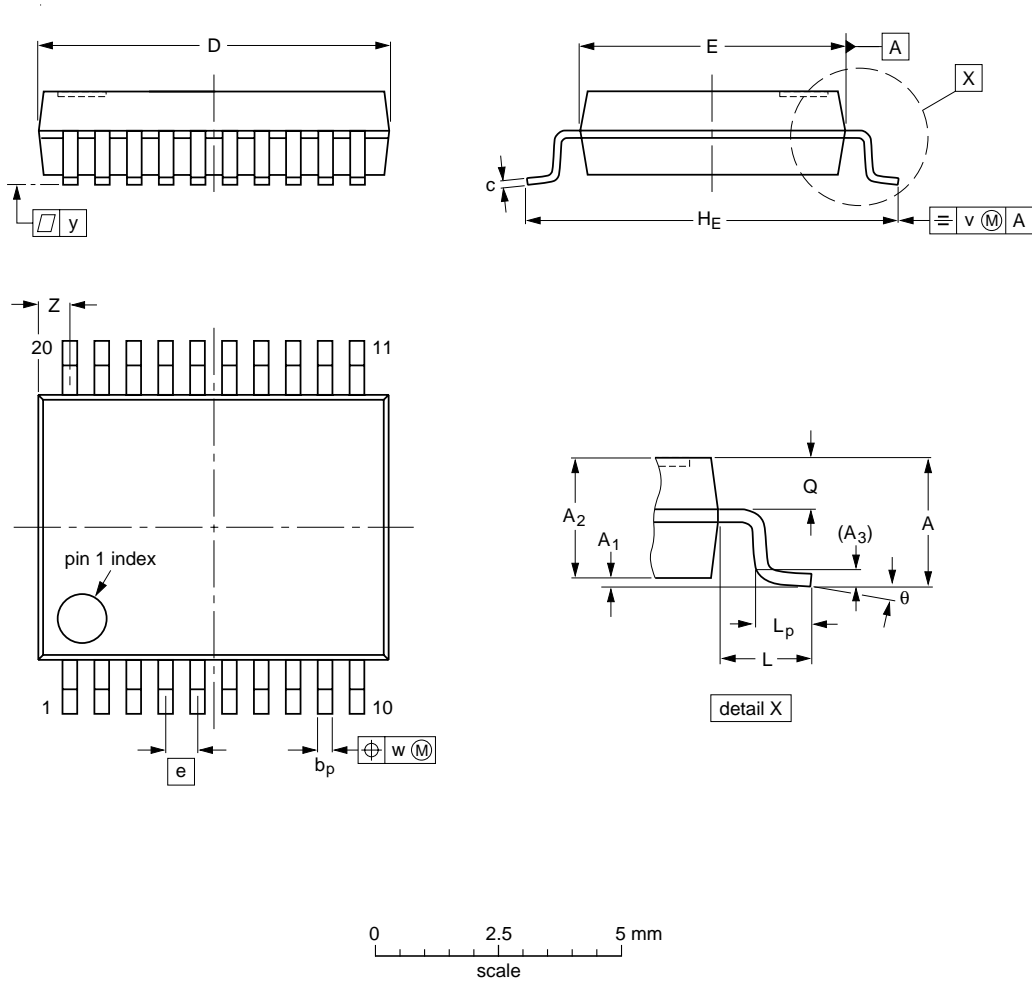
| OUTLINE VERSION | REFERENCES | | | | EUROPEAN PROJECTION | ISSUE DATE |
|-----------------|------------|----------|------|--|---------------------|----------------------|
| | IEC | JEDEC | EIAJ | | | |
| SOT163-1 | 075E04 | MS-013AC | | | | 95-01-24 97-05-22 |

Fast charge ICs for NiCd and NiMH batteries

TEA1103; TEA1103T;
TEA1103TS

SSOP20: plastic shrink small outline package; 20 leads; body width 5.3 mm

SOT339-1



DIMENSIONS (mm are the original dimensions)

| UNIT | A max. | A ₁ | A ₂ | A ₃ | b _p | c | D ⁽¹⁾ | E ⁽¹⁾ | e | H _E | L | L _p | Q | v | w | y | Z ⁽¹⁾ | θ |
|------|--------|----------------|----------------|----------------|----------------|--------------|------------------|------------------|------|----------------|------|----------------|------------|-----|------|-----|------------------|----------|
| mm | 2.0 | 0.21 0.05 | 1.80 1.65 | 0.25 | 0.38 0.25 | 0.20 0.09 | 7.4 7.0 | 5.4 5.2 | 0.65 | 7.9 7.6 | 1.25 | 1.03 0.63 | 0.9 0.7 | 0.2 | 0.13 | 0.1 | 0.9 0.5 | 8° 0° |

Note

1. Plastic or metal protrusions of 0.20 mm maximum per side are not included.

| OUTLINE VERSION | REFERENCES | | | | EUROPEAN PROJECTION | ISSUE DATE |
|-----------------|------------|----------|------|--|---------------------|----------------------|
| | IEC | JEDEC | EIAJ | | | |
| SOT339-1 | | MO-150AE | | | | 93-09-08 95-02-04 |

Fast charge ICs for NiCd and NiMH batteries

TEA1103; TEA1103T;
TEA1103TS

SOLDERING

Introduction

This text gives a very brief insight to a complex technology. A more in-depth account of soldering ICs can be found in our "Data Handbook IC26; Integrated Circuit Packages" (document order number 9398 652 90011).

There is no soldering method that is ideal for all IC packages. Wave soldering is often preferred when through-hole and surface mount components are mixed on one printed-circuit board. However, wave soldering is not always suitable for surface mount ICs, or for printed-circuit boards with high population densities. In these situations reflow soldering is often used.

Through-hole mount packages

SOLDERING BY DIPPING OR BY SOLDER WAVE

The maximum permissible temperature of the solder is 260 °C; solder at this temperature must not be in contact with the joints for more than 5 seconds. The total contact time of successive solder waves must not exceed 5 seconds.

The device may be mounted up to the seating plane, but the temperature of the plastic body must not exceed the specified maximum storage temperature ($T_{stg(max)}$). If the printed-circuit board has been pre-heated, forced cooling may be necessary immediately after soldering to keep the temperature within the permissible limit.

MANUAL SOLDERING

Apply the soldering iron (24 V or less) to the lead(s) of the package, either below the seating plane or not more than 2 mm above it. If the temperature of the soldering iron bit is less than 300 °C it may remain in contact for up to 10 seconds. If the bit temperature is between 300 and 400 °C, contact may be up to 5 seconds.

Surface mount packages

REFLOW SOLDERING

Reflow soldering requires solder paste (a suspension of fine solder particles, flux and binding agent) to be applied to the printed-circuit board by screen printing, stencilling or pressure-syringe dispensing before package placement.

Several methods exist for reflowing; for example, infrared/convection heating in a conveyor type oven. Throughput times (preheating, soldering and cooling) vary between 100 and 200 seconds depending on heating method.

Typical reflow peak temperatures range from 215 to 250 °C. The top-surface temperature of the packages should preferably be kept below 230 °C.

WAVE SOLDERING

Conventional single wave soldering is not recommended for surface mount devices (SMDs) or printed-circuit boards with a high component density, as solder bridging and non-wetting can present major problems.

To overcome these problems the double-wave soldering method was specifically developed.

If wave soldering is used the following conditions must be observed for optimal results:

- Use a double-wave soldering method comprising a turbulent wave with high upward pressure followed by a smooth laminar wave.
- For packages with leads on two sides and a pitch (e):
 - larger than or equal to 1.27 mm, the footprint longitudinal axis is **preferred** to be parallel to the transport direction of the printed-circuit board;
 - smaller than 1.27 mm, the footprint longitudinal axis **must** be parallel to the transport direction of the printed-circuit board.

The footprint must incorporate solder thieves at the downstream end.

- For packages with leads on four sides, the footprint must be placed at a 45° angle to the transport direction of the printed-circuit board. The footprint must incorporate solder thieves downstream and at the side corners.

During placement and before soldering, the package must be fixed with a droplet of adhesive. The adhesive can be applied by screen printing, pin transfer or syringe dispensing. The package can be soldered after the adhesive is cured.

Typical dwell time is 4 seconds at 250 °C.

A mildly-activated flux will eliminate the need for removal of corrosive residues in most applications.

MANUAL SOLDERING

Fix the component by first soldering two diagonally-opposite end leads. Use a low voltage (24 V or less) soldering iron applied to the flat part of the lead. Contact time must be limited to 10 seconds at up to 300 °C.

When using a dedicated tool, all other leads can be soldered in one operation within 2 to 5 seconds between 270 and 320 °C.

Fast charge ICs for NiCd and NiMH batteries

TEA1103; TEA1103T;
TEA1103TS

Suitability of IC packages for wave, reflow and dipping soldering methods

| MOUNTING | PACKAGE | SOLDERING METHOD | | |
|--------------------|---------------------------|-----------------------------------|-----------------------|----------|
| | | WAVE | REFLOW ⁽¹⁾ | DIPPING |
| Through-hole mount | DBS, DIP, HDIP, SDIP, SIL | suitable ⁽²⁾ | – | suitable |
| Surface mount | HLQFP, HSQFP, HSOP, SMS | not suitable ⁽³⁾ | suitable | – |
| | PLCC ⁽⁴⁾ , SO | suitable | suitable | – |
| | LQFP, QFP, TQFP | not recommended ⁽⁴⁾⁽⁵⁾ | suitable | – |
| | SQFP | not suitable | suitable | – |
| | SSOP, TSSOP, VSO | not recommended ⁽⁶⁾ | suitable | – |

Notes

- All surface mount (SMD) packages are moisture sensitive. Depending upon the moisture content, the maximum temperature (with respect to time) and body size of the package, there is a risk that internal or external package cracks may occur due to vaporization of the moisture in them (the so called popcorn effect). For details, refer to the Drypack information in the *"Data Handbook IC26; Integrated Circuit Packages; Section: Packing Methods"*.
- For SDIP packages, the longitudinal axis must be parallel to the transport direction of the printed-circuit board.
- These packages are not suitable for wave soldering as a solder joint between the printed-circuit board and heatsink (at bottom version) can not be achieved, and as solder may stick to the heatsink (on top version).
- If wave soldering is considered, then the package must be placed at a 45° angle to the solder wave direction. The package footprint must incorporate solder thieves downstream and at the side corners.
- Wave soldering is only suitable for LQFP, QFP and TQFP packages with a pitch (e) equal to or larger than 0.8 mm; it is definitely not suitable for packages with a pitch (e) equal to or smaller than 0.65 mm.
- Wave soldering is only suitable for SSOP and TSSOP packages with a pitch (e) equal to or larger than 0.65 mm; it is definitely not suitable for packages with a pitch (e) equal to or smaller than 0.5 mm.

DEFINITIONS

| Data sheet status | |
|---|---|
| Objective specification | This data sheet contains target or goal specifications for product development. |
| Preliminary specification | This data sheet contains preliminary data; supplementary data may be published later. |
| Product specification | This data sheet contains final product specifications. |
| Limiting values | |
| Limiting values given are in accordance with the Absolute Maximum Rating System (IEC 134). Stress above one or more of the limiting values may cause permanent damage to the device. These are stress ratings only and operation of the device at these or at any other conditions above those given in the Characteristics sections of the specification is not implied. Exposure to limiting values for extended periods may affect device reliability. | |
| Application information | |
| Where application information is given, it is advisory and does not form part of the specification. | |

LIFE SUPPORT APPLICATIONS

These products are not designed for use in life support appliances, devices, or systems where malfunction of these products can reasonably be expected to result in personal injury. Philips customers using or selling these products for use in such applications do so at their own risk and agree to fully indemnify Philips for any damages resulting from such improper use or sale.

Fast charge ICs for NiCd and NiMH
batteries

TEA1103; TEA1103T;
TEA1103TS

NOTES

Philips Semiconductors – a worldwide company

Argentina: see South America

Australia: 34 Waterloo Road, NORTH RYDE, NSW 2113,
Tel. +61 2 9805 4455, Fax. +61 2 9805 4466

Austria: Computerstr. 6, A-1101 WIEN, P.O. Box 213,
Tel. +43 1 60 101 1248, Fax. +43 1 60 101 1210

Belarus: Hotel Minsk Business Center, Bld. 3, r. 1211, Volodarski Str. 6,
220050 MINSK, Tel. +375 172 20 0733, Fax. +375 172 20 0773

Belgium: see The Netherlands

Brazil: see South America

Bulgaria: Philips Bulgaria Ltd., Energoproject, 15th floor,
51 James Bourchier Blvd., 1407 SOFIA,
Tel. +359 2 68 9211, Fax. +359 2 68 9102

Canada: PHILIPS SEMICONDUCTORS/COMPONENTS,
Tel. +1 800 234 7381, Fax. +1 800 943 0087

China/Hong Kong: 501 Hong Kong Industrial Technology Centre,
72 Tat Chee Avenue, Kowloon Tong, HONG KONG,
Tel. +852 2319 7888, Fax. +852 2319 7700

Colombia: see South America

Czech Republic: see Austria

Denmark: Sydhavnsgade 23, 1780 COPENHAGEN V,
Tel. +45 33 29 3333, Fax. +45 33 29 3905

Finland: Sinikalliontie 3, FIN-02630 ESPOO,
Tel. +358 9 615 800, Fax. +358 9 6158 0920

France: 51 Rue Carnot, BP317, 92156 SURESNES Cedex,
Tel. +33 1 4099 6161, Fax. +33 1 4099 6427

Germany: Hammerbrookstraße 69, D-20097 HAMBURG,
Tel. +49 40 2353 60, Fax. +49 40 2353 6300

Greece: No. 15, 25th March Street, GR 17778 TAVROS/ATHENS,
Tel. +30 1 489 4339/4239, Fax. +30 1 481 4240

Hungary: see Austria

India: Philips INDIA Ltd, Band Box Building, 2nd floor,
254-D, Dr. Annie Besant Road, Worli, MUMBAI 400 025,
Tel. +91 22 493 8541, Fax. +91 22 493 0966

Indonesia: PT Philips Development Corporation, Semiconductors Division,
Gedung Philips, Jl. Buncit Raya Kav.99-100, JAKARTA 12510,
Tel. +62 21 794 0040 ext. 2501, Fax. +62 21 794 0080

Ireland: Newstead, Clonskeagh, DUBLIN 14,
Tel. +353 1 7640 000, Fax. +353 1 7640 200

Israel: RAPAC Electronics, 7 Kehilat Saloniki St, PO Box 18053,
TEL AVIV 61180, Tel. +972 3 645 0444, Fax. +972 3 649 1007

Italy: PHILIPS SEMICONDUCTORS, Piazza IV Novembre 3,
20124 MILANO, Tel. +39 2 6752 2531, Fax. +39 2 6752 2557

Japan: Philips Bldg 13-37, Kohnan 2-chome, Minato-ku,
TOKYO 108-8507, Tel. +81 3 3740 5130, Fax. +81 3 3740 5077

Korea: Philips House, 260-199 Itaewon-dong, Yongsan-ku, SEOUL,
Tel. +82 2 709 1412, Fax. +82 2 709 1415

Malaysia: No. 76 Jalan Universiti, 46200 PETALING JAYA, SELANGOR,
Tel. +60 3 750 5214, Fax. +60 3 757 4880

Mexico: 5900 Gateway East, Suite 200, EL PASO, TEXAS 79905,
Tel. +9-5 800 234 7381, Fax +9-5 800 943 0087

Middle East: see Italy

Netherlands: Postbus 90050, 5600 PB EINDHOVEN, Bldg. VB,
Tel. +31 40 27 82785, Fax. +31 40 27 88399

New Zealand: 2 Wagener Place, C.P.O. Box 1041, AUCKLAND,
Tel. +64 9 849 4160, Fax. +64 9 849 7811

Norway: Box 1, Manglerud 0612, OSLO,
Tel. +47 22 74 8000, Fax. +47 22 74 8341

Pakistan: see Singapore

Philippines: Philips Semiconductors Philippines Inc.,
106 Valero St. Salcedo Village, P.O. Box 2108 MCC, MAKATI,
Metro MANILA, Tel. +63 2 816 6380, Fax. +63 2 817 3474

Poland: Ul. Lukiska 10, PL 04-123 WARSZAWA,
Tel. +48 22 612 2831, Fax. +48 22 612 2327

Portugal: see Spain

Romania: see Italy

Russia: Philips Russia, Ul. Usatcheva 35A, 119048 MOSCOW,
Tel. +7 095 755 6918, Fax. +7 095 755 6919

Singapore: Lorong 1, Toa Payoh, SINGAPORE 319762,
Tel. +65 350 2538, Fax. +65 251 6500

Slovakia: see Austria

Slovenia: see Italy

South Africa: S.A. PHILIPS Pty Ltd., 195-215 Main Road Martindale,
2092 JOHANNESBURG, P.O. Box 7430 Johannesburg 2000,
Tel. +27 11 470 5911, Fax. +27 11 470 5494

South America: Al. Vicente Pinzon, 173, 6th floor,
04547-130 SÃO PAULO, SP, Brazil,
Tel. +55 11 821 2333, Fax. +55 11 821 2382

Spain: Balmes 22, 08007 BARCELONA,
Tel. +34 93 301 6312, Fax. +34 93 301 4107

Sweden: Kottbygatan 7, Akalla, S-16485 STOCKHOLM,
Tel. +46 8 5985 2000, Fax. +46 8 5985 2745

Switzerland: Allmendstrasse 140, CH-8027 ZÜRICH,
Tel. +41 1 488 2741 Fax. +41 1 488 3263

Taiwan: Philips Semiconductors, 6F, No. 96, Chien Kuo N. Rd., Sec. 1,
TAIPEI, Taiwan Tel. +886 2 2134 2865, Fax. +886 2 2134 2874

Thailand: PHILIPS ELECTRONICS (THAILAND) Ltd.,
209/2 Sanpavuth-Bangna Road Prakanong, BANGKOK 10260,
Tel. +66 2 745 4090, Fax. +66 2 398 0793

Turkey: Talatpasa Cad. No. 5, 80640 GÜLTEPE/ISTANBUL,
Tel. +90 212 279 2770, Fax. +90 212 282 6707

Ukraine: PHILIPS UKRAINE, 4 Patrice Lumumba str., Building B, Floor 7,
252042 KIEV, Tel. +380 44 264 2776, Fax. +380 44 268 0461

United Kingdom: Philips Semiconductors Ltd., 276 Bath Road, Hayes,
MIDDLESEX UB3 5BX, Tel. +44 181 730 5000, Fax. +44 181 754 8421

United States: 811 East Arques Avenue, SUNNYVALE, CA 94088-3409,
Tel. +1 800 234 7381, Fax. +1 800 943 0087

Uruguay: see South America

Vietnam: see Singapore

Yugoslavia: PHILIPS, Trg N. Pasica 5/v, 11000 BEOGRAD,
Tel. +381 11 62 5344, Fax. +381 11 63 5777

For all other countries apply to: Philips Semiconductors,
International Marketing & Sales Communications, Building BE-p, P.O. Box 218,
5600 MD EINDHOVEN, The Netherlands, Fax. +31 40 27 24825

Internet: <http://www.semiconductors.philips.com>

© Philips Electronics N.V. 1999

SCA61

All rights are reserved. Reproduction in whole or in part is prohibited without the prior written consent of the copyright owner.

The information presented in this document does not form part of any quotation or contract, is believed to be accurate and reliable and may be changed without notice. No liability will be accepted by the publisher for any consequence of its use. Publication thereof does not convey nor imply any license under patent- or other industrial or intellectual property rights.

Printed in The Netherlands

465002/750/03/pp28

Date of release: 1999 Jan 27

Document order number: 9397 750 04794

Let's make things better.

**Philips
Semiconductors**



PHILIPS