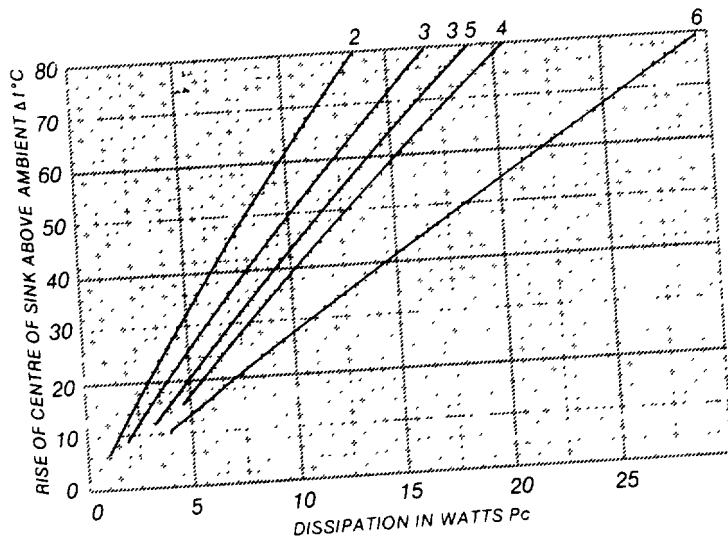


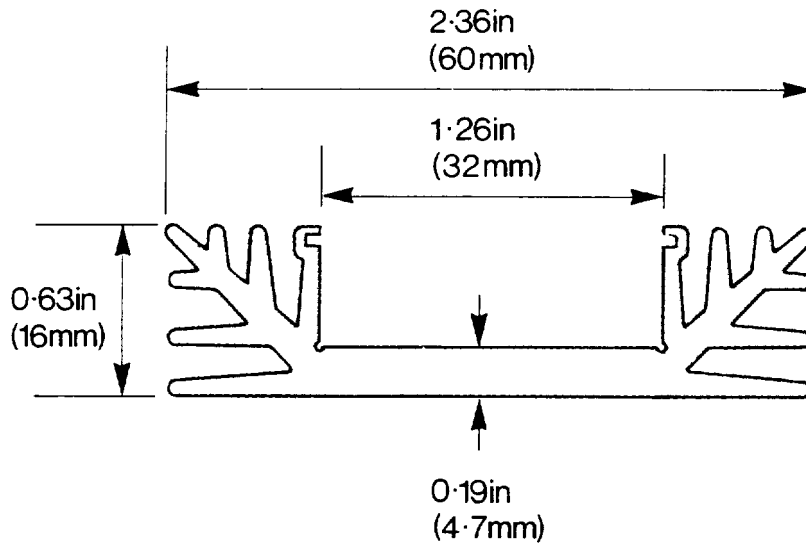
## Y-type powersinks

A compact design for moderate power involvement, particularly on PC boards.

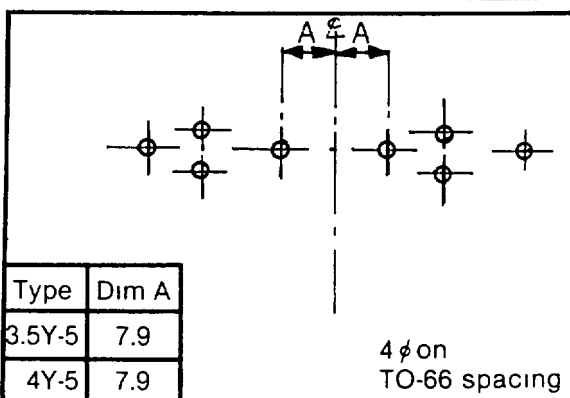
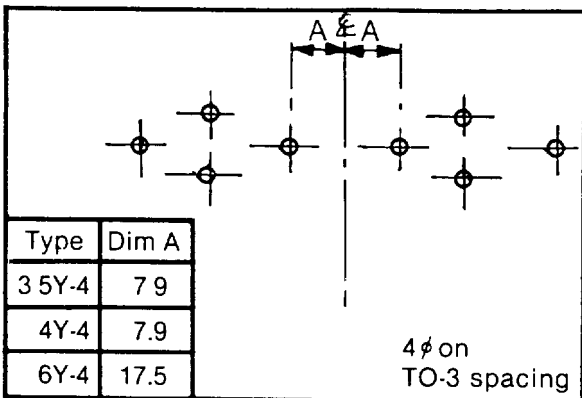
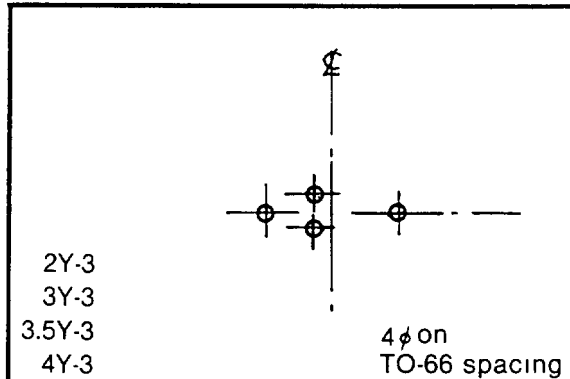
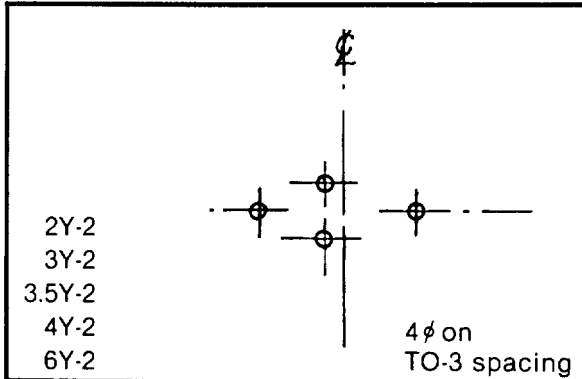
Code	Length ins	mm	Thermal rating $\theta$ $^{\circ}\text{C}/\text{watt}$
2Y	2	50.8	6.2
3Y	3	76.2	4.8
3.5Y	3.5	89.0	4.2
4Y	4	101.6	3.9
6Y	6	152.4	2.8



Thermal performance with one device centrally mounted, using Thermpath 167, fins vertical, convection air. Finish Black.

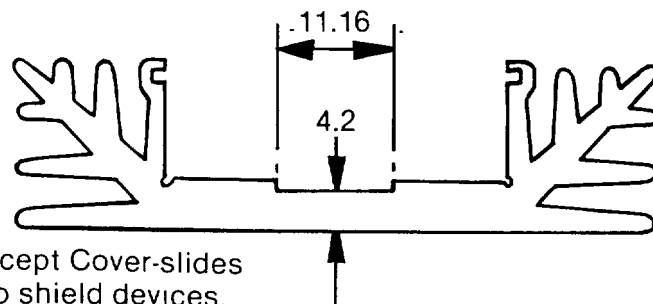


### Stock hole variants (Y-1 has no holes)



### GY-Type powersinks

Grooved for TO-220 devices



Extruded slots accept Cover-slides (see data sheet) to shield devices.