

INTRODUCTION

Fast, easy breadboarding of circuits using the PA241DW and the PA15 are possible with the EK42 PC board. Mounting holes are provided and the provision for standard banana jacks simplifies connection and testing. The amplifier may be mounted horizontally or vertically. Components are labeled on both sides of the board for ease in probing.

A multitude of circuit configurations are possible, so only several component locations have specific functions and will usually always be necessary:

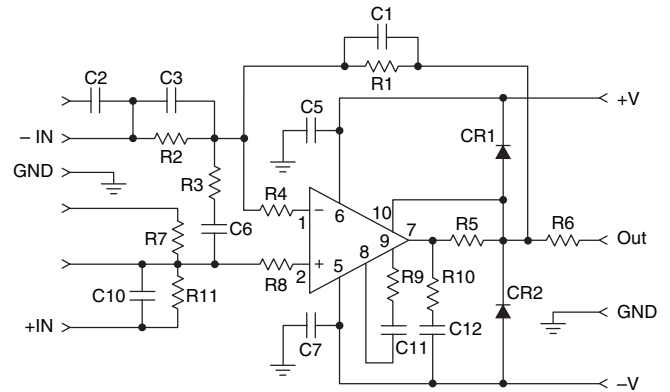
- C5,C7 Power supply bypasses **MUST** be used. Usually ceramic types of 0.01 to 0.1 μ F.
- R1 Feedback resistor.
- R2 Input resistor.
- R9, C11 Compensation (see amplifier data sheet).
- R5 Current limit (see amplifier data sheet).
- R7 Most often used as input bias current return for +input in non-inverting circuits.
- R3, C6 Noise gain compensation. Necessary only occasionally, see Application Notes 19 and 25.

The following locations should be jumpered unless used (their most common anticipated function is listed).

- R4, R8 Input protection.
- R11 General purpose.
- R6 Output current sense.

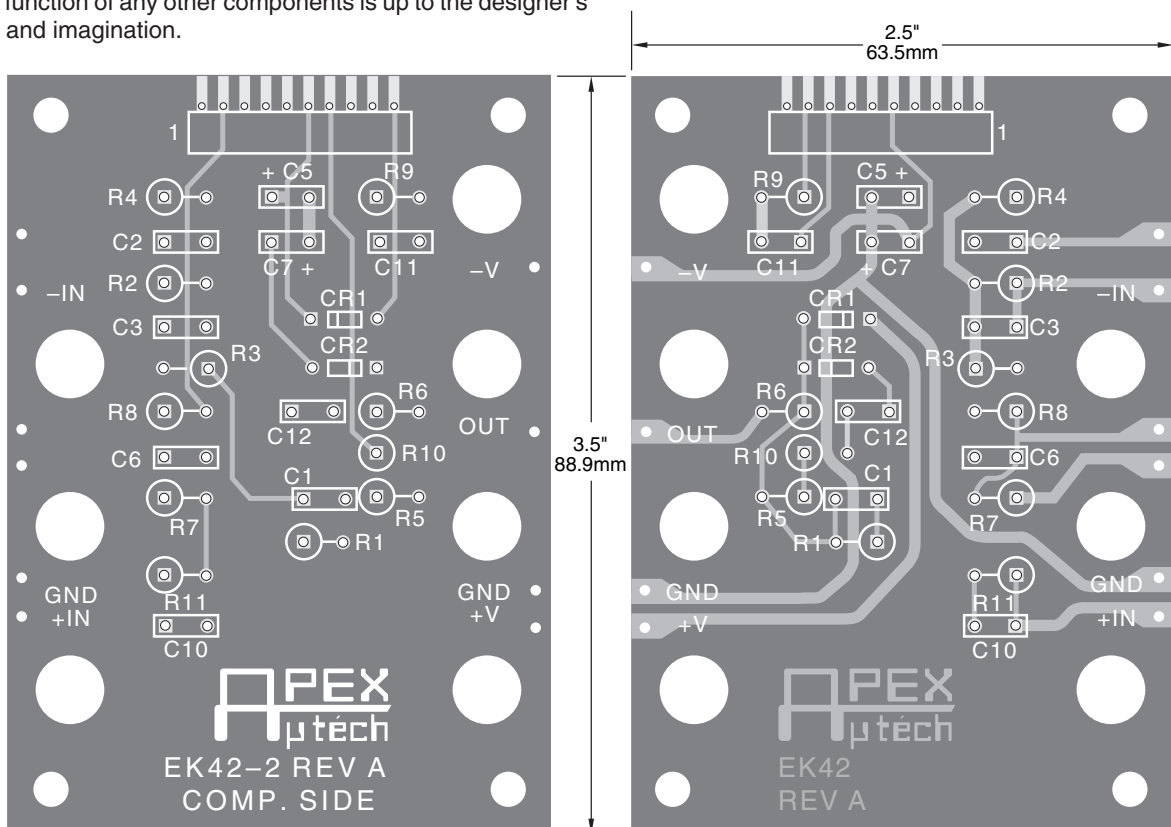
The function of any other components is up to the designer's needs and imagination.

EQUIVALENT SCHEMATIC



CAUTION

High voltages will be present. Use caution in handling and probing when power is applied.



NOTE: Illustration only, not to exact scale.