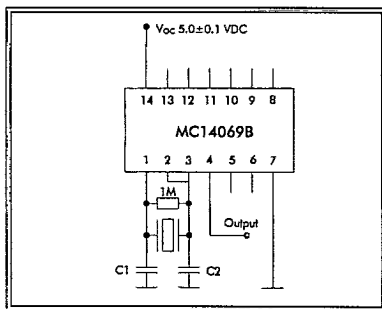


# Ceramic Resonators

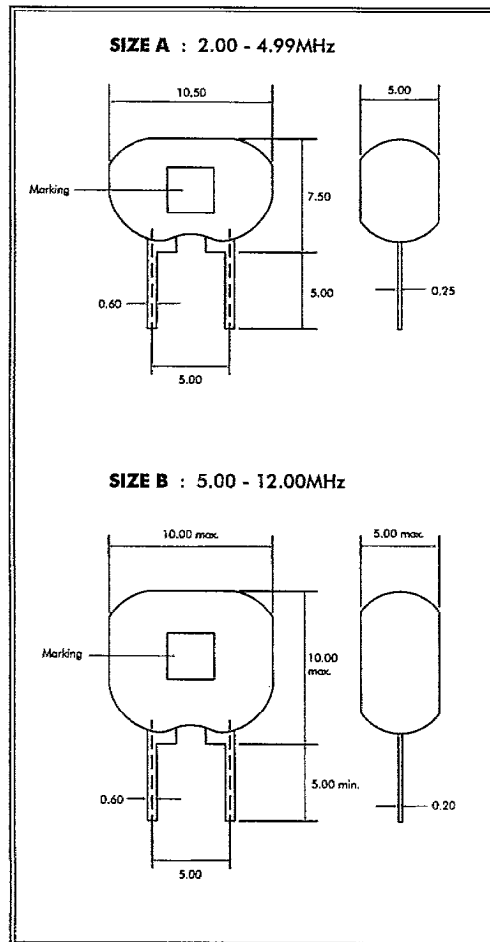
2.0MHz to 12.0MHz

## NC-ZTA Series Specification

- » Frequency Range :  
2.0MHz - 12.0MHz
- » Holder Style :  
ZTA
- » Frequency Tolerance :  
± 0.5% (max.) at 25°C
- » Temperature Stability :  
± 0.3% (max.)  
over temperature operating range
- » Temperature Operating Range :  
-20°C to +80°C
- » Ageing :  
± 0.3% over 10 years
- » Standard Frequencies Available :  
3.58MHz 4.00MHz 4.19MHz 5.00MHz  
6.00MHz 8.00MHz 10.00MHz 12.00MHz
- » Custom Frequencies :  
Volume linked quantities are available on request
- » Ordering Guide :  
Quote : Type / Frequency  
e.g. : NCZTA/6.0000/B



Test Circuit



Outline Dimensions (mm)