

PLEASE CHECK WWW.MOLEX.COM FOR LATEST PART INFORMATION

Part Number: [0357182110](#)
Status: **Active**
Description: 4.75mm (.187") Tab Safe Lock Terminal, Quick Disconnect, Female, 0.81mm (.032") Tab Thickness, Wire Range 16-20 AWG (1.31-0.52mm²), Pre-Tin Plated

Documents:

[Drawing \(PDF\)](#) [RoHS Certificate of Compliance \(PDF\)](#)
[Product Specification PS-35718-1210 \(PDF\)](#)

Agency Certification

TUV R9451159

General

Product Family Quick Disconnects
 Series 35718
 Crimp Quality Equipment Yes
 Product Name Safelock
 Type Quick Disconnect

Physical

Barrel Type Open
 Gender Female
 Glow-Wire Compliant No
 Insulation None
 Lock to Mating Part Yes
 Material - Metal Brass
 Material - Plating Mating Tin
 Material - Plating Termination Tin
 Orientation Straight
 Packaging Type Reel
 Plating min: Mating (µin) 40
 Plating min: Mating (µm) 1
 Plating min: Termination (µin) 40
 Plating min: Termination (µm) 1
 Polarized to Mating Part No
 Tab Thickness 0.81mm (.032")
 Tab Width 4.75mm (.187")
 Temperature Range - Operating -40°C to +105°C
 Termination Interface: Style Crimp or Compression
 Wire Insulation Diameter 2.50mm (.098") max.
 Wire Size AWG 16, 18, 20
 Wire Size mm² 0.50 - 1.30

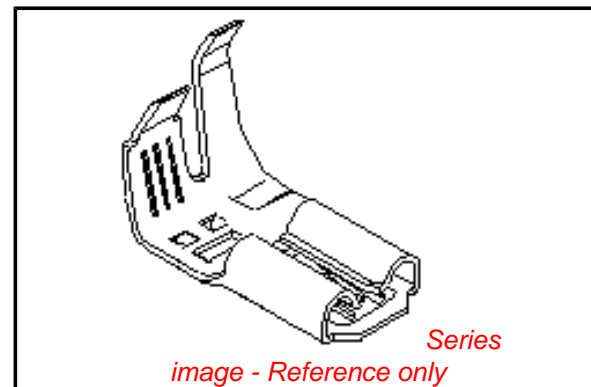
Electrical

Voltage - Maximum 250V

Material Info

Reference - Drawing Numbers

Product Specification PS-35718-1210
 Sales Drawing SD-35718-210



EU RoHS

ELV and RoHS Compliant
REACH SVHC Contains SVHC: No
Halogen-Free Status

China RoHS



Need more information on product environmental compliance?

Email productcompliance@molex.com
 For a multiple part number RoHS Certificate of Compliance, [click here](#)

Please visit the [Contact Us](#) section for any non-product compliance questions.

Search Parts in this Series

35718Series

Use With

4.75mm (.187") Tab

Application Tooling | FAQ

Tooling specifications and manuals are found by selecting the products below. Crimp Height Specifications are then contained in the Application Tooling Specification document.

Global

Description	Product #
Mini-Mac™	0638012800
Applicator Rear Feed	

DWG. NO.
SD-35718-210

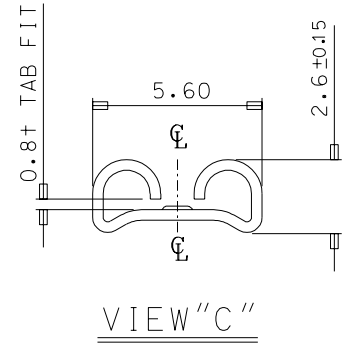
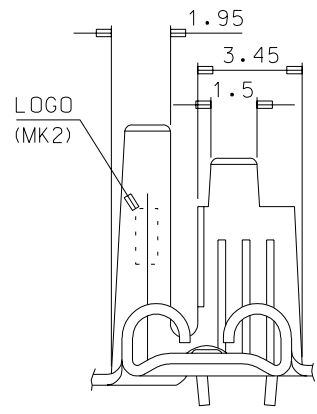
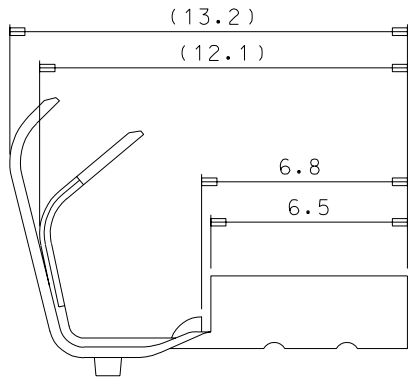
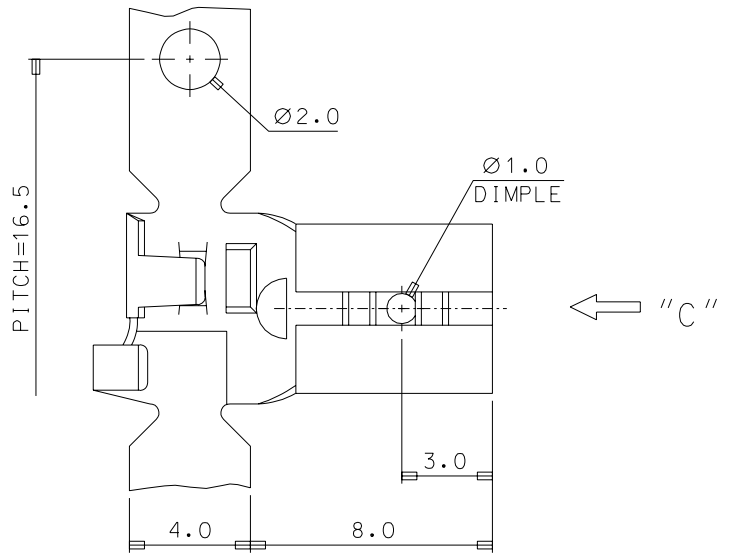
SIMILAR ITEM

PROJECT NO.

C

B

DO NOT SCALE DRAWING
DIMENSION IN METRIC



NOTES

1. MATERIAL : BRASS, 0.35mm THICKNESS
2. FINISH : 35718-2100 (UNPLATED)
35718-2110 (POST PLATED TIN)
3. APPLICABLE WIRE RANGE : AWG #20 - #16

REDRAWN EC NO. KOR2004-0117 DRWN: C.B.CHIN 04/03/08 CHK: W.Y.YANG APPR: C.W.LEE	QUALITY SYMBOLS MAJOR ▲ = 0 CRITICAL ▽ = 0	GENERAL TOLERANCES: (UNLESS SPECIFIED)		SCALE 6:1	DESIGN UNITS <input checked="" type="checkbox"/> mm <input type="checkbox"/> INCH	THIRD ANGLE PROJECTION	DIMENSIONS: <input type="checkbox"/> mm <input type="checkbox"/> INCH <input checked="" type="checkbox"/> mm ONLY	SHT	REV	
		4 PLACES	±.	±.	DRAWN BY & DATE C.B.CHIN 04/02/12		TITLE: .187 FLAG RECEPTACLE TERMINAL (0.8+ TAB)			
A	REV	3 PLACES	±.	±.	CHECKED BY & DATE W.Y.YANG 04/02/12		MOLEX INCORPORATED			
		2 PLACES	±0.20	±.	APPROVED BY & DATE C.W.LEE 04/02/12					
		1 PLACE	±0.30	±.	CAD FILENAME S7182110.DGN	MATERIAL NO. SEE NOTES	DRAWING NO. SD-35718-210	SHEET NO. 1 OF 1		
DRAFT WHERE APPLICABLE MUST REMAIN WITHIN DIMENSIONS					THIS DRAWING CONTAINS INFORMATION THAT IS PROPRIETARY TO MOLEX INCORPORATED AND SHOULD NOT BE USED WITHOUT WRITTEN PERMISSION.					SIZE B