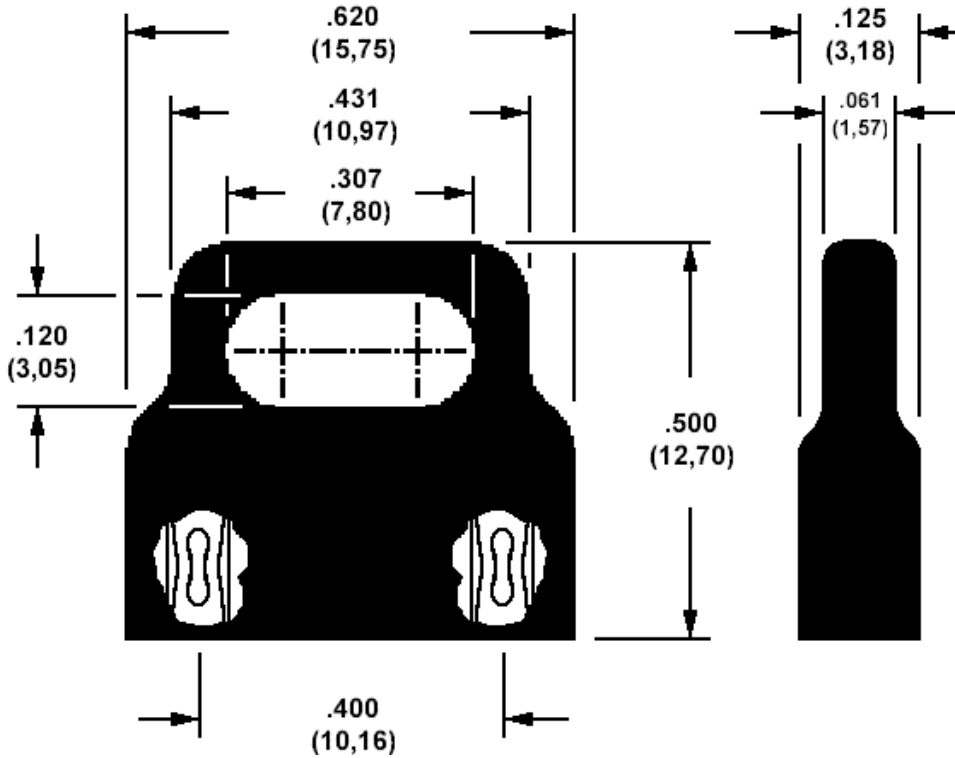


**450-3776 Shorting socket, insulated, for .040 (1,02) diameter pins**



Min hole depth .190 (4,83)

**How to order code**  
450-3776-01-06-XX  
 Basic Part No XX = Colour

Component	Material	Finish (-06)
Body	Copper	Tin
Spring	Beryllium copper	Gold over Nickel
Insulator	Polypropylene	Select colour (see below)

COLOUR (XX)		
-10	-12	-16
Black	Red	Blue