

**PLEASE CHECK WWW.MOLEX.COM FOR LATEST PART INFORMATION**

**Part Number:** [0366420001](#)  
**Status:** **Active**  
**Overview:** [kk](#)  
**Description:** 3.96mm (.156") Pitch KK® Header, Right Angle with Snap-In Pegs, Through Hole, 6 Circuits, No Polarizing Key at Circuit 4, Lead-free

**Documents:**

[Drawing \(PDF\)](#) [RoHS Certificate of Compliance \(PDF\)](#)  
[Product Specification PS-8619 \(PDF\)](#)

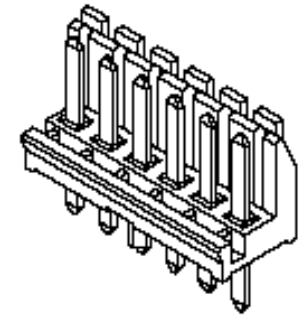
**General**

Product Family	PCB Headers
Series	<a href="#">8619</a>
Application	Wire-to-Board
Overview	<a href="#">kk</a>
Product Name	KK®

**Physical**

Breakaway	No
Circuits (Loaded)	6
Circuits (maximum)	6
Circuits Detail	No Polarizing Key at Circuit 4
Color - Resin	Black
First Mate / Last Break	No
Glow-Wire Compliant	No
Guide to Mating Part	No
Keying to Mating Part	Yes
Lock to Mating Part	Yes
Material - Metal	Brass
Material - Plating Mating	Tin
Material - Plating Termination	Tin
Material - Resin	Polyester
Number of Rows	1
Orientation	Vertical
PC Tail Length (in)	0.390 In
PC Tail Length (mm)	9.91 mm
PCB Locator	Yes
PCB Retention	Yes
Packaging Type	Bag
Pitch - Mating Interface (in)	0.156 In
Pitch - Mating Interface (mm)	3.96 mm
Pitch - Term. Interface (in)	0.156 In
Pitch - Term. Interface (mm)	3.96 mm
Plating min: Mating (µin)	200
Plating min: Mating (µm)	5.08
Plating min: Termination (µin)	50
Plating min: Termination (µm)	1.27
Polarized to Mating Part	Yes
Polarized to PCB	Yes
Shrouded	Partial
Stackable	No
Surface Mount Compatible (SMC)	No
Temperature Range - Operating	-40°C to +80°C
Termination Interface: Style	Through Hole

**Electrical**



*image - Reference only*

*Series*

**EU RoHS**

**ELV and RoHS Compliant**  
**REACH SVHC**  
 Not Reviewed  
**Halogen-Free Status**

**China RoHS**



**Need more information on product environmental compliance?**

Email [productcompliance@molex.com](mailto:productcompliance@molex.com)  
 For a multiple part number RoHS Certificate of Compliance, [click here](#)

Please visit the [Contact Us](#) section for any non-product compliance questions.

**Search Parts in this Series**

[8619Series](#)

**Mates With**

[90331](#) Industry Standard Power Supply Housing for Crimp Terminals

Current - Maximum per Contact  
Voltage - Maximum

4A  
250V

**Solder Process Data**

Lead-free Process Capability

Wave Capable (TH only)

**Material Info**

Old Part Number

A-8619-0609

**Reference - Drawing Numbers**

Product Specification

PS-8619

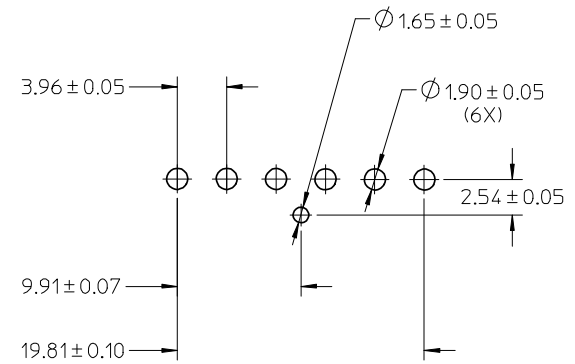
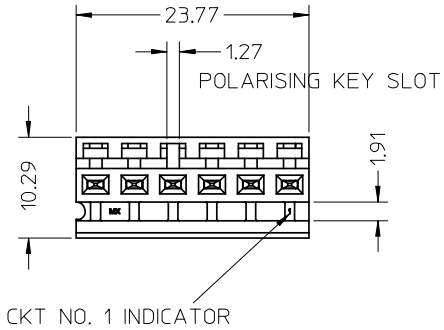
Sales Drawing

SDA-8619-0609

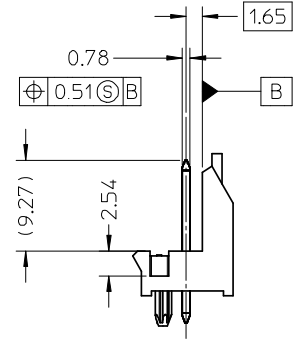
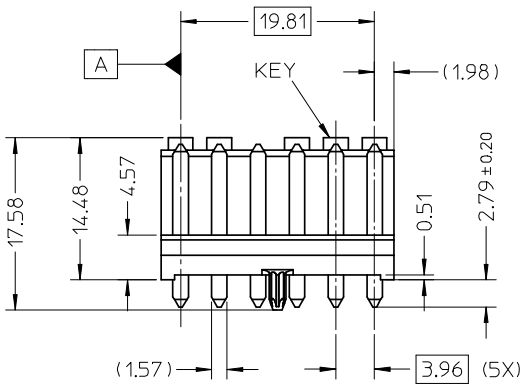
This document was generated on 05/24/2010

**PLEASE CHECK [WWW.MOLEX.COM](http://WWW.MOLEX.COM) FOR LATEST PART INFORMATION**

10 9 8 7 6 5 4 3 2 1

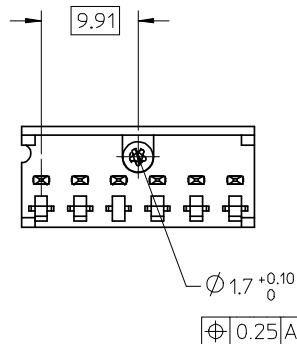


RECOMENDED PCB LAYOUT



NOTES:

- AXIAL PIN PUSHOUT FORCE: 2LBS (0.91 KG) MIN.
- MATERIALS:  
PIN - BRASS, ALLOY 260  
PLATING - POST ELECTRO-PLATE 5.08µM MIN TIN OVER 1.27µM MIN TIN OVERALL, MATTE FINISH (AS PER ES-88-224 CODE)  
WAFER - CODE "P": POLYESTER, 15% GF, 94V-0,COLOR:BK
- PS-8619 APPLIES
- NO POLARIZING KEY AT CIRCUIT #4



<b>ENTER DESCRIPTION</b> EC NO: I2008-0572 DRWN:RRANGAPPA01 2008/04/10 CHKD:KPRASAD 2008/04/10 APPR:KPRASAD 2008/04/10	<b>QUALITY SYMBOLS</b> ▽=0 ▽=0	GENERAL TOLERANCES (UNLESS SPECIFIED)		DIMENSION STYLE <b>MM ONLY</b>		SCALE <b>2:1</b>	DESIGN UNITS <b>METRIC</b>	THIRD ANGLE PROJECTION			
		4 PLACES ± --- ± ---	3 PLACES ± --- ± ---	2 PLACES ± 0.25 ± ---	1 PLACE ± 0.35 ± ---	DRAWN BY DATE RAGHU 2008/04/04		TITLE <b>HEADER SINGLE ROW 3.96MM PITCH</b>			
		ANGULAR ± 1 °				CHECKED BY DATE KPRASAD 2008/04/04		MOLEX MOLEX INCORPORATED			
		DRAFT WHERE APPLICABLE MUST REMAIN WITHIN DIMENSIONS				APPROVED BY DATE KPRASAD 2008/04/04		MATERIAL NO. <b>366420001</b>		DOCUMENT NO. <b>SDA-8619-0609</b>	
SHEET NO. <b>1 OF 1</b>		THIS DRAWING CONTAINS INFORMATION THAT IS PROPRIETARY TO MOLEX INCORPORATED AND SHOULD NOT BE USED WITHOUT WRITTEN PERMISSION									

9 8 7 6 5 4 3 2 1