



DS21600/DS21602/DS21604 3.3V/5V Clock Rate Adapter

www.maxim-ic.com

GENERAL DESCRIPTION

The DS21600/DS21602/DS21604 are multiple-rate clock adapters that convert between E-carrier and T-carrier clocks rates. A T1 or E1 clock output, CLKOUT1, is available, along with a higher multiple rate clock output, CLKOUT2. CLKOUT1 and CLKOUT2 are frequency locked to the clock input CLKIN. The clock outputs, along with frame-sync output, can be phase-aligned to a frame-sync input. The devices are fully compatible with the LXP600A, LXP602, and LXP604, and operate from either a 5V or 3.3V supply. All operation modes include a standard 8kHz output.

The DS21600/DS21602/DS21604 are available in 16-pin SO, and are rated for industrial temperatures.

FEATURES

- Direct Drop-In Replacement for LXP600ASE, LXP602SE, and LXP604SE
- Converts E-Carrier Clock Rates to T-Carrier Clock Rates
- Converts T-Carrier Clock Rates to E-Carrier Clock Rates
- 3.3V or 5V Supply
- Low Jitter Output
- Multiple Output Clocks Synchronized to Input Clock
- 8kHz Frequency-Locked Output for All Operation Modes
- No External Components Required
- 16-Pin SO and 8-Pin DIP
- Industrial Temperature Range: -40°C to +85°C

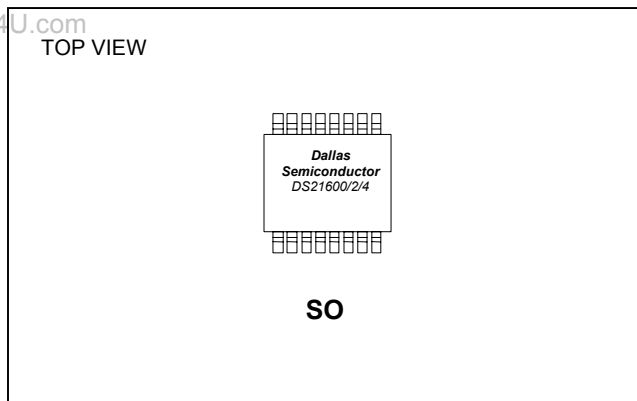
ORDERING INFORMATION

PART	TEMP RANGE	PIN-PACKAGE
DS21600SN	-40°C to +85°C	16 SO
DS21600N	-40°C to +85°C	8 DIP
DS21602SN	-40°C to +85°C	16 SO
DS21602N	-40°C to +85°C	8 DIP
DS21604SN	-40°C to +85°C	16 SO
DS21604N	-40°C to +85°C	8 DIP

FREQUENCY CONVERSIONS (MHz)

PART	CLKIN	CLKOUT1	CLKOUT2
DS21600	1.544	2.048	6.144
	2.048	1.544	6.176
DS21602	1.544	2.048	8.192
	2.048	1.544	6.176
DS21604	1.544	4.096	8.192
	4.096	1.544	6.176

PIN CONFIGURATION



Note: Some revisions of this device may incorporate deviations from published specifications known as errata. Multiple revisions of any device may be simultaneously available through various sales channels. For information about device errata, click here: www.maxim-ic.com/errata.

TABLE OF CONTENTS

1. PIN DESCRIPTION	3
1.1 PIN NAME CROSS-REFERENCE TO LXP60X	3
2. FUNCTIONAL DESCRIPTION.....	4
2.1 MODE SELECT.....	4
2.2 FRAME SYNC INPUT	4
3. OUTPUT JITTER.....	4
3.1 JITTER TRANSFER	5
4. OPERATING PARAMETERS	7
5. PACKAGE INFORMATION	11
6. REVISION HISTORY	13

LIST OF FIGURES

Figure 1-1. Block Diagram.....	3
Figure 3-1. Nominal Jitter Transfer for 2.048MHz to 1.544MHz Conversion	5
Figure 3-2. Nominal Jitter Transfer for 1.544MHz to 2.048MHz Conversion	6
Figure 4-1. DS21600/DS21602 High-to-Low Frequency Conversion Frame-Sync Alignment.....	8
Figure 4-2. DS21604 High-To-Low Frequency Conversion Frame-Sync Alignment.....	9
Figure 4-3. DS21600 Low-to-High Frequency Conversion Frame-Sync Alignment.....	9
Figure 4-4. DS21602 Low-to-High Frequency Conversion Frame-Sync Alignment.....	10
Figure 4-5. DS21604 Low-to-High Frequency Conversion Frame-Sync Alignment.....	10

LIST OF TABLES

Table 1-A. Pin Description.....	3
Table 1-B. Pin Name Cross-Reference to LXP60x	3
Table 2-A. Frequency Conversions (MHz).....	4
Table 3-A. Output Jitter Specifications.....	4

1. PIN DESCRIPTION

Table 1-A. Pin Description

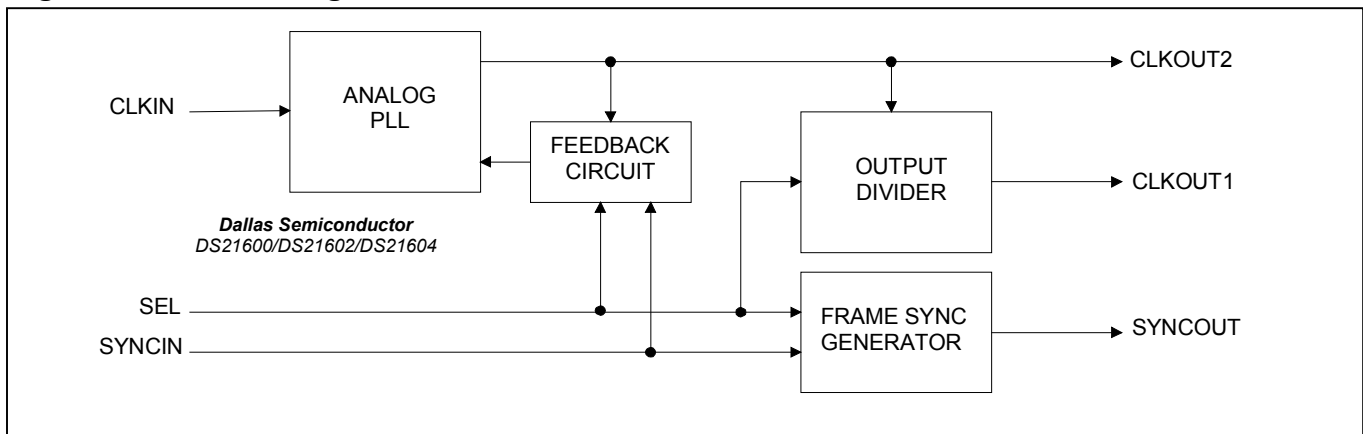
PIN		NAME	TYPE	FUNCTION
DIP	SO			
—	1, 3, 6, 8, 10, 11, 13, 15	N.C.	—	No Connect
1	2	SYNCOUT	Output	Synchronization Output. An 8kHz output that can be synchronized to the clock outputs.
2	4	CLKOUT2	Output	Clock Output 2. T1 or E1 carrier clock output referenced to CLKIN.
3	5	CLKIN	Input	Clock Input. Reference Clock Input. CLKOUT1 and CLKOUT2 will be referenced to this clock.
4	7	CLKOUT1	Output	Clock Output 1. T1 or E1 carrier clock output referenced to CLKIN.
5	9	V _{SS}	Supply	Ground
6	12	SEL	Input	Clock Mode Select. Conversion mode select.
7	14	SYNCIN	Input	Synchronization Input. Used to synchronize the clock outputs and SYNCOUT to CLKIN and SYNCIN. SYNCIN should be tied high or low when not in use.
8	16	V _{DD}	Supply	Positive Supply, 3.3V or 5V ±5%

1.1 Pin Name Cross-Reference to LXP60X

Table 1-B. Pin Name Cross-Reference to LXP60x

DS21600/DS21602/DS21604	LXP600ALXP602/LXP604	FUNCTION
SYNCOUT	FSO	Synchronization Pulse Output
CLKOUT2	HFO	Clock 2 Output
CLKIN	CLKI	Clock Input
CLKOUT1	CLKO	Clock 1 Output
V _{SS}	GND	Ground
SEL	SEL	Clock Mode Select
SYNCIN	FSI	Synchronization Pulse Input
N.C.	N.C.	No Connect
V _{DD}	V _{CC}	Positive Supply

Figure 1-1. Block Diagram



2. FUNCTIONAL DESCRIPTION

A clock input at CLKIN is converted to an alternate clock rate available on CLKOUT1. A higher multiple-rate clock also is available on CLKOUT2. Additionally, an 8kHz clock locked to CLKIN is always available at the SYNCOUT pin. The SEL pin controls clock-rate conversion selection.

2.1 Mode Select

The SEL pin is used to select the operating frequencies. [Table 2-A](#) shows the SEL state for the various operating modes of the DS21600, DS21602, and DS21604.

Table 2-A. Frequency Conversions (MHz)

PART	SEL	CLKIN	CLKOUT1	CLKOUT2
DS21600	0	1.544	2.048	6.144
	1	2.048	1.544	6.176
DS21602	0	1.544	2.048	8.192
	1	2.048	1.544	6.176
DS21604	0	1.544	4.096	8.192
	1	4.096	1.544	6.176

2.2 Frame-Sync Input

In all cases, CLKOUT1 and CLKOUT2 are frequency-locked to CLKIN. CLKOUT1, CLKOUT2, and SYNCOUT are phased-locked to SYNCIN when SYNCIN is asserted. The signal applied to SYNCIN can be 8kHz or some integer subrate such as 1kHz, 2kHz, or 4kHz. Phase synchronization occurs within a maximum of 50ms when SYNCIN is 8kHz.

3. OUTPUT JITTER

[Table 3-A](#) shows the output jitter specifications for 2.048MHz (or 4.096MHz) to 1.544MHz conversions (SEL = 1) and 1.544MHz to 2.048MHz (or 4.096MHz) conversions (SEL = 0).

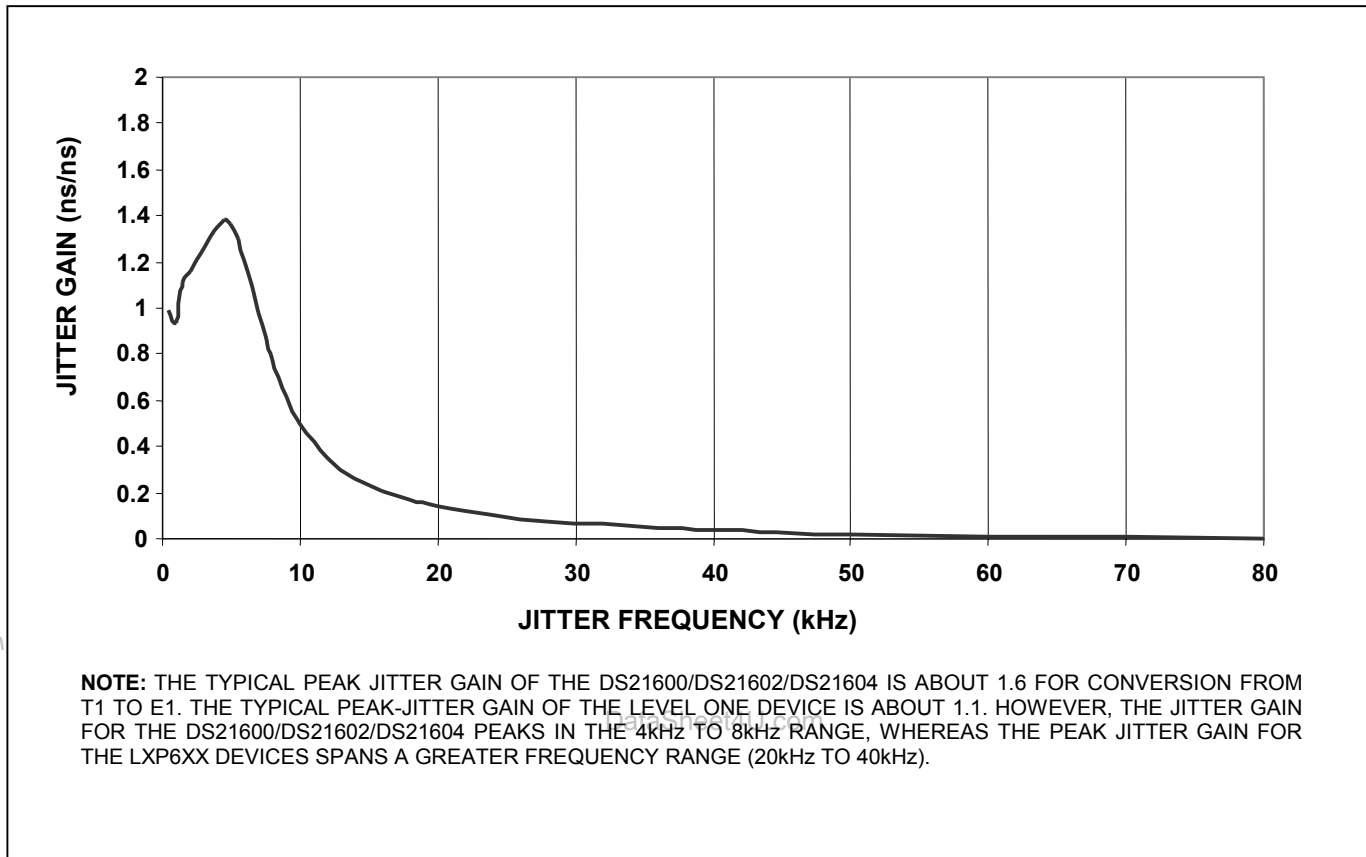
Table 3-A. Output Jitter Specifications

CLKIN (MHz)	CLKOUT1 (MHz)	FREQUENCY BAND	SPECIFICATION	VALUE	TYP	MAX	UNITS
1.544	2.048	20Hz–100kHz	G.823	1.500	0.018	0.035	UI _{P-P}
		18kHz–100kHz	G.823	0.200	0.012	0.025	UI _{P-P}
2.048 or 4.096	1.544	No bandlimiting	TR62411	0.050	0.010	0.020	UI _{P-P}
		10Hz–40kHz	TR62411	0.025	0.005	0.010	UI _{P-P}
		8kHz–40kHz	TR62411	0.025	0.006	0.012	UI _{P-P}

3.1 Jitter Transfer

[Figure 3-1](#) and [Figure 3-2](#) show jitter transfer for 2.048MHz-to-1.544MHz conversions and vice versa.

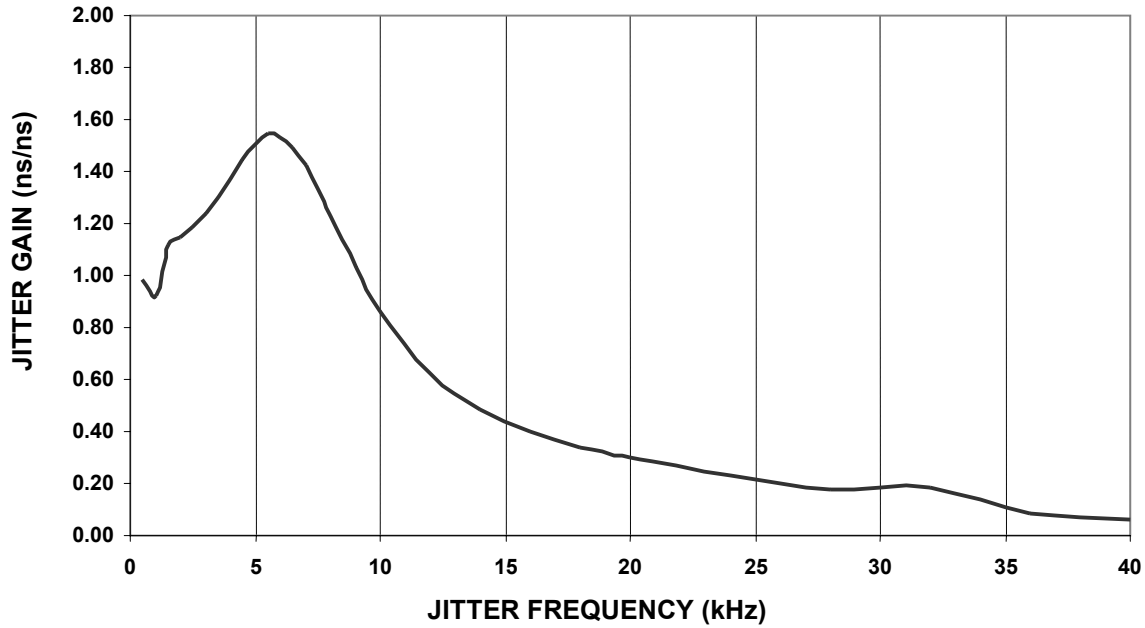
Figure 3-1. Nominal Jitter Transfer for 2.048MHz-to-1.544MHz Conversion



et4U.com

DataShee

Figure 3-2. Nominal Jitter Transfer for 1.544MHz-to-2.048MHz Conversion



NOTE: THE TYPICAL PEAK JITTER GAIN OF THE DS21600/DS21602/DS21604 IS ABOUT 1.6 FOR CONVERSION FROM T1 TO E1. THE TYPICAL PEAK-JITTER GAIN OF THE LEVEL ONE DEVICE IS ABOUT 1.1. HOWEVER, THE JITTER GAIN FOR THE DS21600/DS21602/DS21604 PEAKS IN THE 4kHz TO 8kHz RANGE, WHEREAS THE PEAK JITTER GAIN FOR THE LXP6XX DEVICES SPANS A GREATER FREQUENCY RANGE (20kHz TO 40kHz).

DataSheet4U.com

et4U.com

DataShe

4. OPERATING PARAMETERS

ABSOLUTE MAXIMUM RATINGS

Voltage Range on Any Pin Relative to Ground

-1.0V to +6.0V

Operating Temperature Range for DS21600SN, DS21602SN, DS21604SN

-40°C to +85°C

Storage Temperature Range

-55°C to +125°C

Soldering Temperature

See IPC/JEDEC J-STD-020
Specification

Stresses beyond those listed under "Absolute Maximum Ratings" may cause permanent damage to the device. These are stress ratings only, and functional operation of the device at these or any other conditions beyond those indicated in the operational sections of the specifications is not implied. Exposure to absolute maximum rating conditions for extended periods can affect device reliability.

RECOMMENDED DC OPERATING CONDITIONS

(T_A = -40°C to +85°C)

PARAMETER	SYMBOL	CONDITIONS	MIN	TYP	MAX	UNITS
Logic 1	V _{IH}		2.0		5.5	V
Logic 0	V _{IL}		-0.3		+0.8	V
Supply Voltage	V _{DD}	3.3V	3.135	3.3	3.465	V
		5V	4.75	5	5.25	

DC CHARACTERISTICS

(V_{DD} = 3.3V/5V ± 5%, T_A = -40°C to +85°C.)

PARAMETER	SYMBOL	CONDITIONS	MIN	TYP	MAX	UNITS
Supply Current	I _{DD}	(Note 1)			14	mA
Input Leakage	I _{IL}	(Note 2)	-1.0		+1.0	μA
Output Leakage	I _{LO}				1.0	μA
Output Current (2.4V)	I _{OH}		-1.0			mA
Output Current (0.4V)	I _{OL}		+4.0			mA

Note 1: 100pF load on all outputs.**Note 2:** 0V < V_{IN} < V_{DD}.

AC TIMING

([Figure 4-1](#), [Figure 4-2](#), [Figure 4-3](#), [Figure 4-4](#), and [Figure 4-5](#))

PARAMETER	SYMBOL	CONDITIONS	MIN	TYP	MAX	UNITS
Capture Range on CLKIN		(Note 3)	±10,000			ppm
Lock Range on CLKIN		(Note 3)	±10,000			ppm
CLKIN Duty Cycle		(Note 3)	35		65	%
SYNCIN Setup to CLKIN Rising	t_{SU}		46			ns
SYNCIN Hold After CLKIN Rising	t_{HI}		30			ns
SYNCIN Pulse Width	t_{PW}		76		CLKIN period	ns
CLKOUT1 Delay from CLKIN Rising	t_D	3.3V	-15	0	+15	ns
		5V	-15	0	+31	
CLKOUT1 Duty Cycle	C_D		49		51	%
SYNCOUT Delay from CLKOUT2	t_{DF}		-5		30	ns
SYNCOUT Pulse Width	t_{SPW}				CLKOUT 1 period	ns
CLKOUT1 Delay from CLKOUT2 Rising	t_{DH}		-15	0	+15	ns
Rise/Fall Time on CLKIN, SYNCIN (Note 3)	t_{RF}	3.3V			60	ns
		5V			40	
Rise/Fall Time on CLKOUT, SYNCOUT, CLKOUT2 (Note 4)	t_{RF}	3.3V			60	ns
		5V			40	

Note 3: Guaranteed by design.

Note 4: 100pF load on CLKOUT, SYNCOUT, CLKOUT.

Figure 4-1. DS21600/DS21602 High-to-Low Frequency Conversion Frame-Sync Alignment

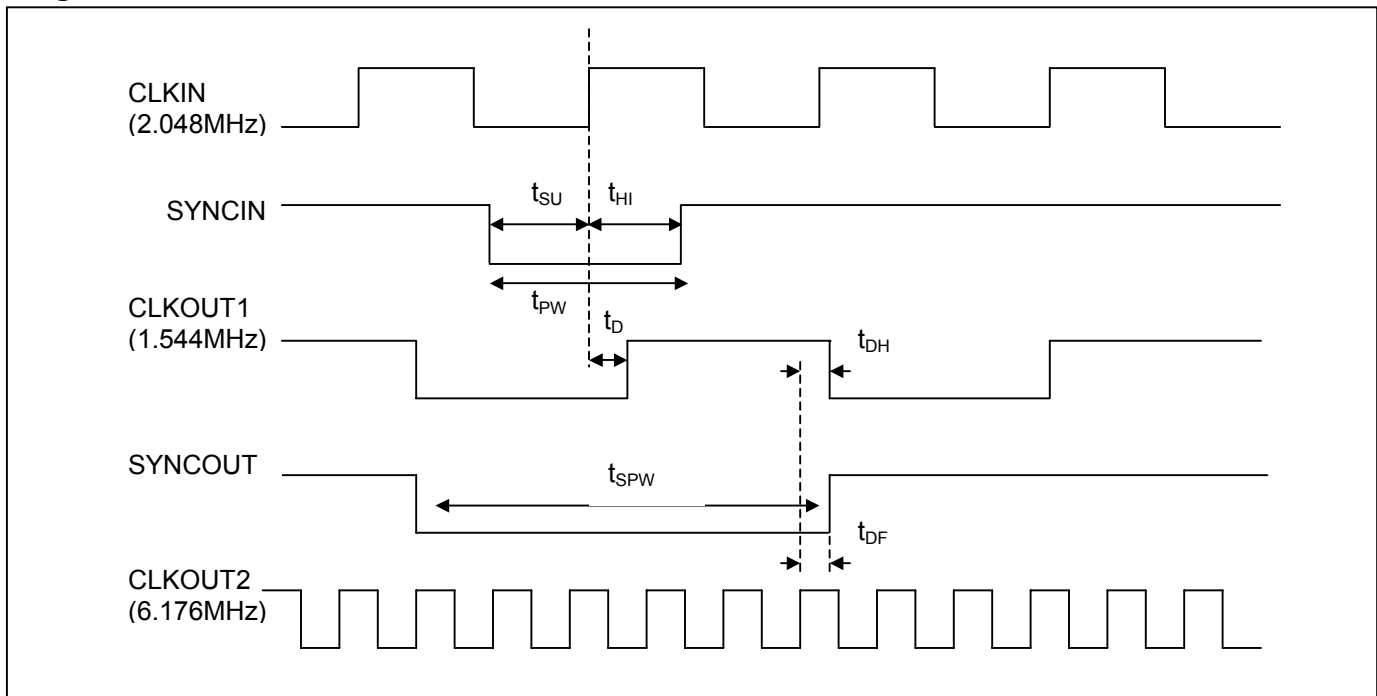


Figure 4-2. DS21604 High-To-Low Frequency Conversion Frame-Sync Alignment

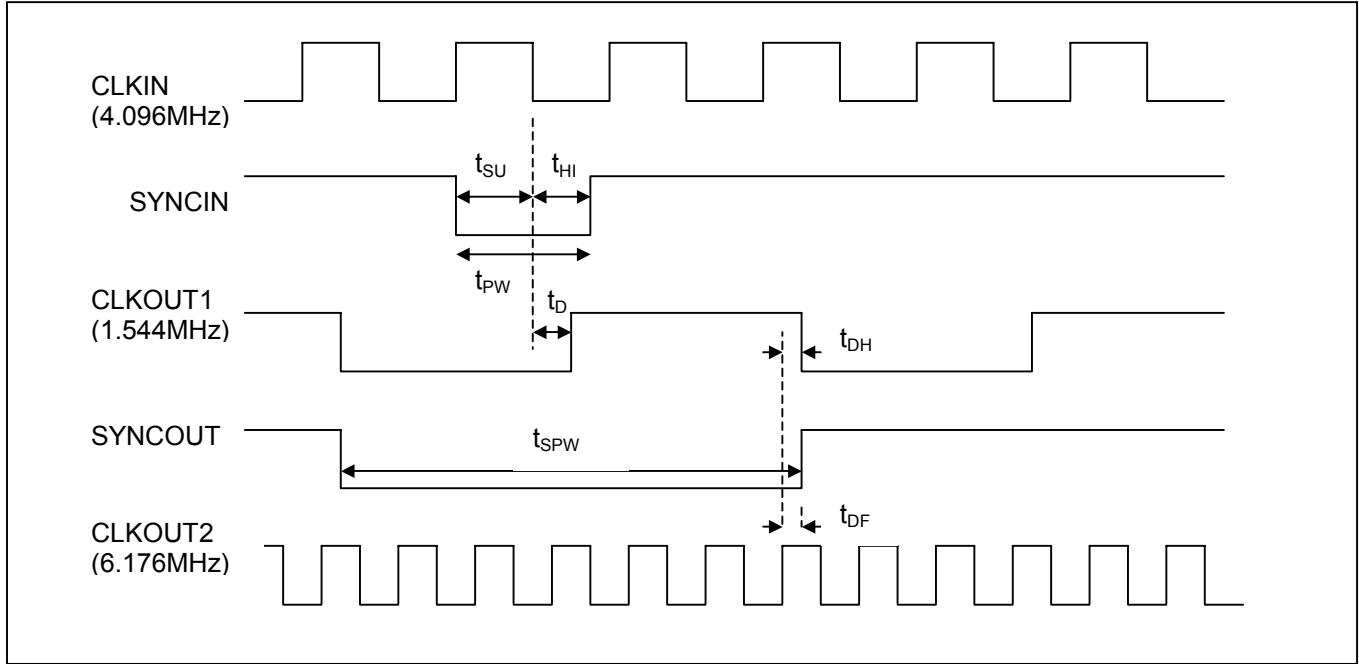
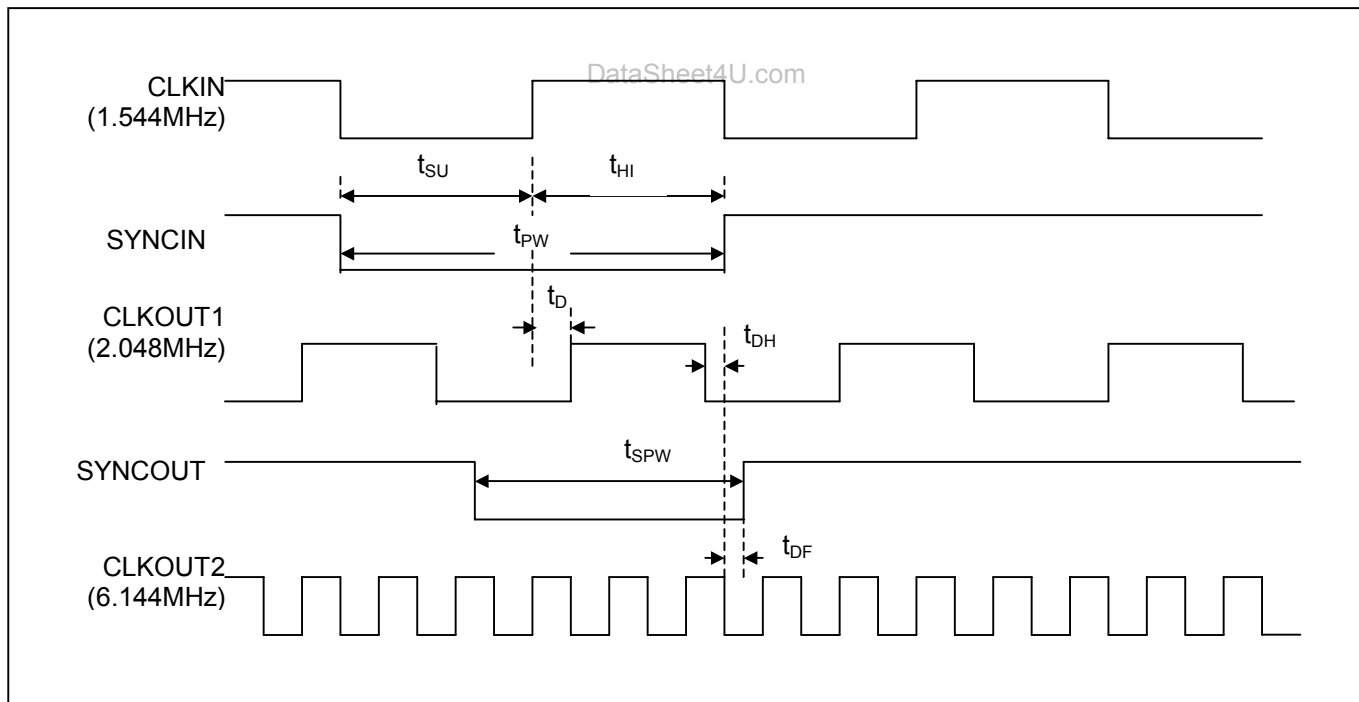


Figure 4-3. DS21600 Low-to-High Frequency Conversion Frame-Sync Alignment



et4U.com

DataShee

Figure 4-4. DS21602 Low-to-High Frequency Conversion Frame-Sync Alignment

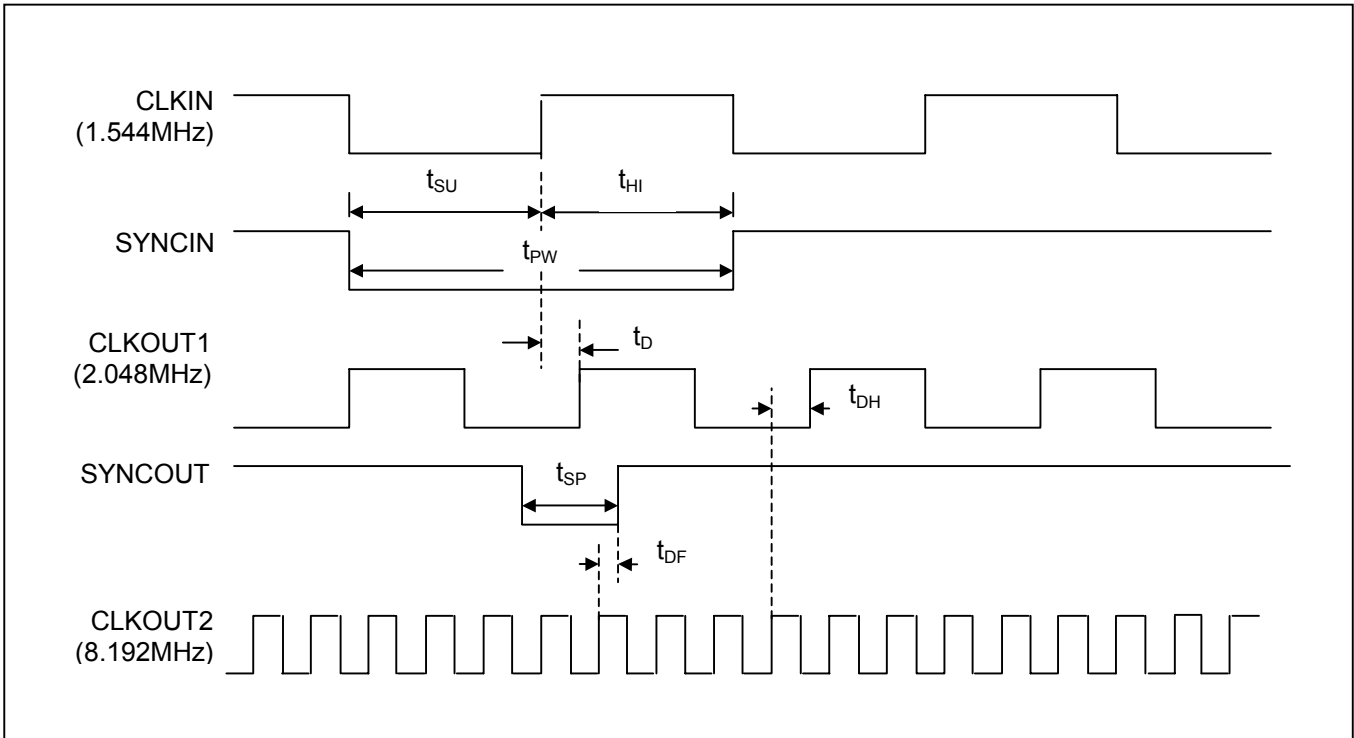
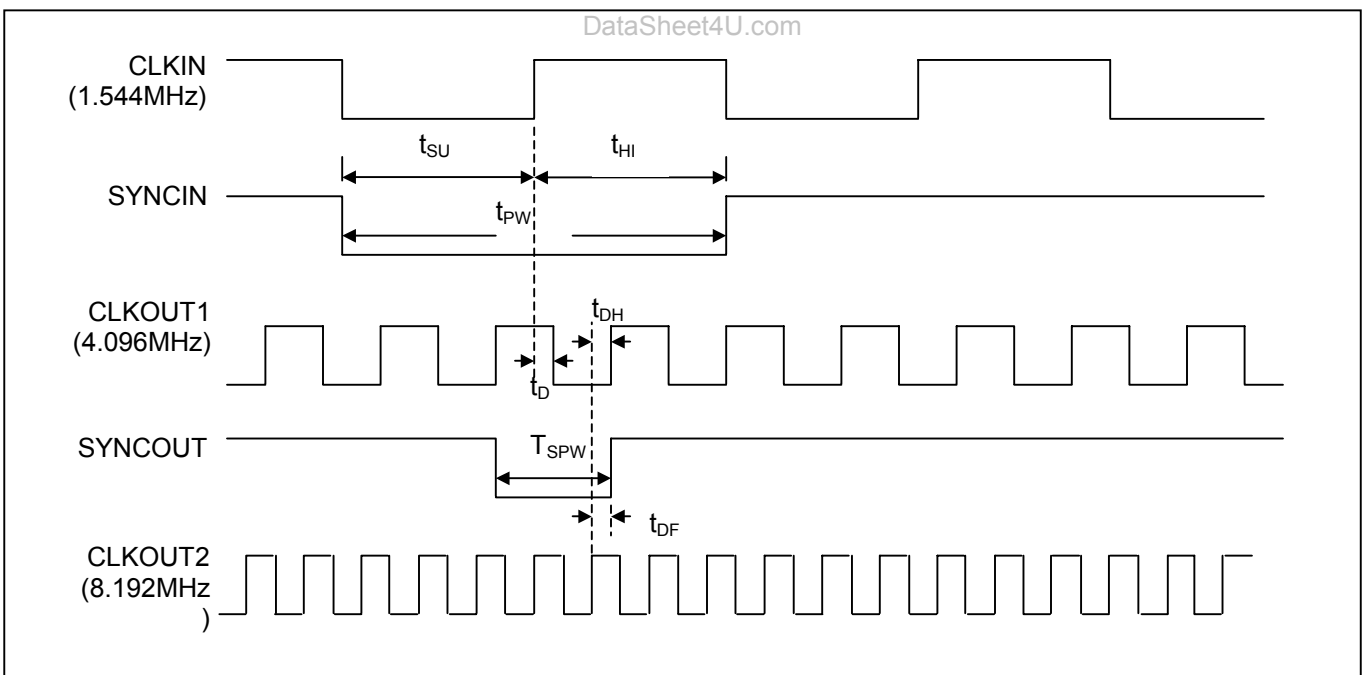


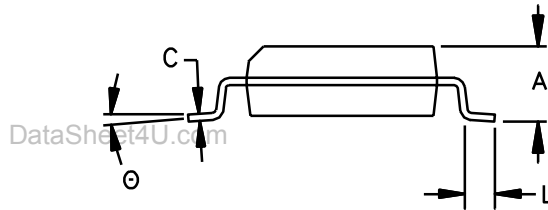
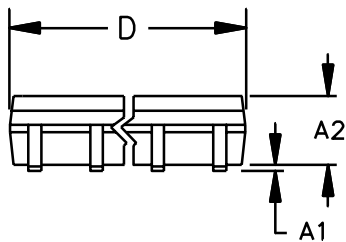
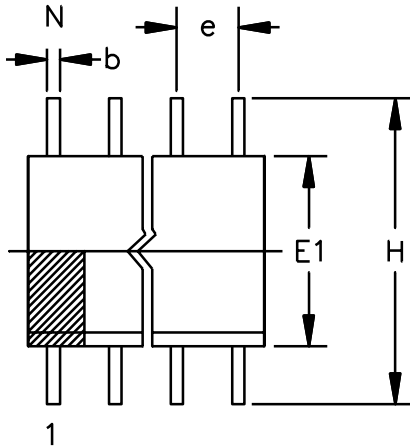
Figure 4-5. DS21604 Low-to-High Frequency Conversion Frame-Sync Alignment



5. PACKAGE INFORMATION

(The package drawing(s) in this data sheet may not reflect the most current specifications. For the latest package outline information, go to www.maxim-ic.com/DallasPackInfo.)

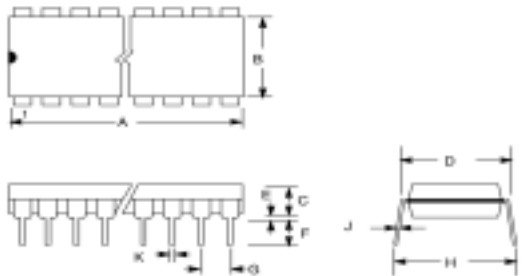
16-Pin SO, 0.300" Body



LTR	MIN	MAX
A	IN. 0.094 MM 2.39	0.105 2.67
A1	IN. 0.004 MM 0.102	0.012 0.30
A2	IN. 0.089 MM 2.26	0.095 2.41
b	IN. 0.013 MM 0.33	0.020 0.51
C	IN. 0.009 MM 0.229	0.013 0.33
D	IN. 0.398 MM 10.11	0.412 10.46
e	IN. .050 MM 1.27	BSC BSC
E1	IN. 0.290 MM 7.37	0.300 7.62
H	IN. 0.398 MM 10.11	0.416 10.57
L	IN. 0.016 MM 0.40	0.040 1.02
Ø	0°	8°

THE CHAMFER ON THE BODY IS OPTIONAL. IF IT IS NOT PRESENT, A TERMINAL 1 IDENTIFIER MUST BE POSITIONED IN THE HATCHED ZONE.

8-PIN DIP (300 mil)



PKG	8-PIN	
DM	MIN	MAX
A N.	0900	0930
MM	914	10 16
B N.	0940	0980
MM	910	980
C N.	0 20	0 40
MM	305	356
D N.	0900	0925
MM	752	925
E N.	0 15	0 40
MM	098	102
F N.	0 20	0 40
MM	304	384
G N.	0900	0 30
MM	229	279
H N.	0920	0 70
MM	813	940
J N.	008	0 12
MM	020	030
K N.	0 15	0 21
MM	098	053

et4U.com

DataShee

6. REVISION HISTORY

REVISION	DESCRIPTION
082100	Preliminary release
083100	Added package specifications
090100	Correct operating voltage range
011101	Added mechanical drawing for DIP package
092801	Added jitter specifications and pin list for all packages; added timing diagrams
032002	Updated jitter specifications
032803	Added 3.3V operation specifications
113004	Added the spec for soldering temperature in the <i>Absolute Maximum Ratings</i> section.