



Micro Commercial Components

Micro Commercial Components
20736 Marilla Street Chatsworth
CA 91311
Phone: (818) 701-4933
Fax: (818) 701-4939

MLESD12A-0402

Multilayer Polymer
ESD Suppressor

Features

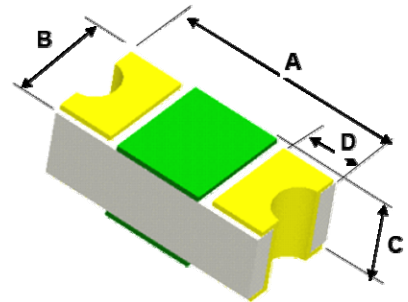
- ESD protection for high speed data lines to IEC61000-4-2 ESD contact discharge 8KV, max 15KV
IEC61000-4-2 ESD air discharge 15KV, max 25KV
Multilayer structure
Surface mount
Extremely low capacitance
Very low leakage current
Fast response time
Bi-directional ESD protection
Lead free solder termination
The best ESD protection for high frequency, low voltage applications

Application

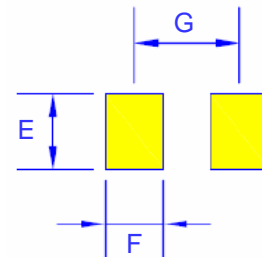
- High Definition Multi-Media Interface (HDMI)
Digital Visual Interface (DVI)
Display Port Interface
Unified Display Interface (UDI)
MDDI Ports
Gigabit Ethernet
USB2.0 and IEEE1394 interface

* Caution: This component is designed for signal line protection only, not intended to be used under bias, not for application with a power line.

0402



Suggested Solder Pad Layout



Environmental Specifications

- Operation temperature: -40~90°C
Moisture Resistance, Steady state: MIL-STD-833, Method 1004.7, 85% RH, 85°C, 1000hrs
Thermal Shock: MIL-STD-202, Method 107G, -55°C to 150°C, 30 min cycle, 10 cycles.
Vibration: MIL-STD-202F, Method 201A, (10 to 55 to 10HZ, 1 min. cycle, 2hrs each in X-Y-Z)
Chemical Resistance: ASTM D-543, 4hrs @40°C, 3 solutions(H2O, detergent solution, deluxer)
Solder leach resistance and terminal adhesion: Per EIA-576 test

DIMENSIONS

Table with 6 columns: DIM, INCHES (MIN, MAX), MM (MIN, MAX), and NOTE. Rows A through G provide specific dimension values.

MLESD12A-0402

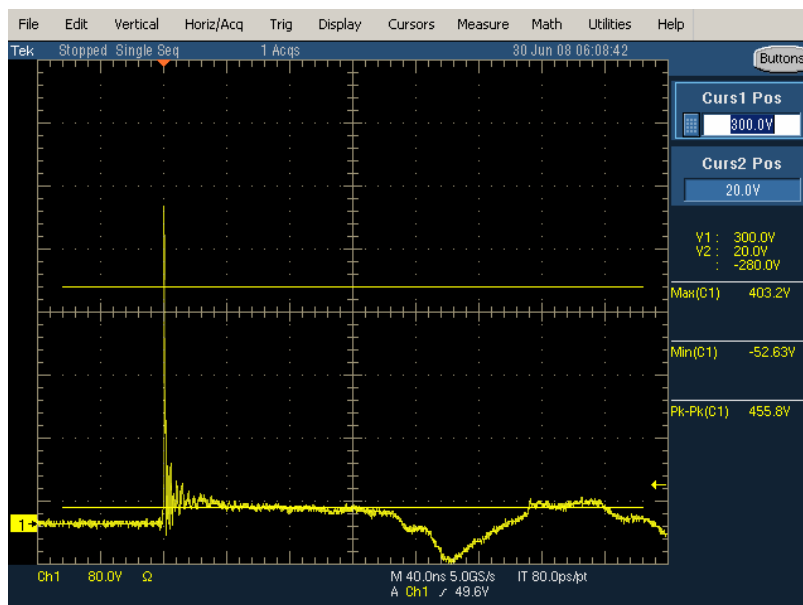
Electrical Characteristics

Electrical Characteristics						
Parameter	Symbol	Conditions	Min	Typ	Max	Units
Continuous operating voltage	V_{DC}	---	---	---	12	V
Trigger voltage	V_T	IEC61000-4-2 8KV contact discharge	---	300	---	V
Clamping voltage	V_C	IEC61000-4-2 8KV contact discharge	---	20	---	V
Leakage current	I_L	12V V_{DC}	---	0.10	10	nA
Capacitance	C_P	VR = 0V, f = 1MHz	---	0.15	0.3	pF
Operating Temperature	---	---	-40	---	90	°C
Storage Temperature	---	---	-55	---	150	°C
ESD pulse withstand	Pulses	IEC61000-4-2 8KV contact discharge	2000	---	---	---

Notes:

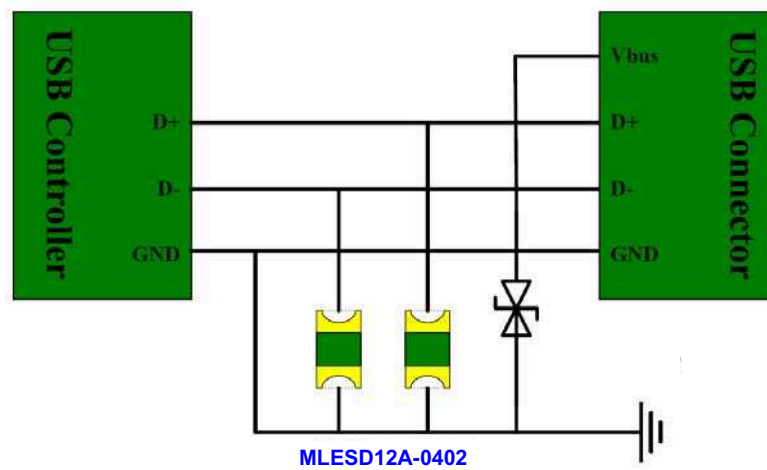
- 1, Trigger and clamping voltage measure per IEC 61000-4-2, 8KV contact discharge method

Typical MLESD clamping for +8KV pulse per IEC61000-4-2



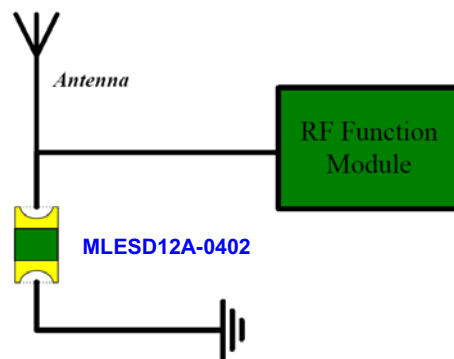
Design Recommendations for USB2.0

For USB2.0 port



Design Recommendations for Antenna

For antenna line





Micro Commercial Components

Ordering Information

Device	Packing
(Part Number)-TP	Tape&Reel;10Kpcs/Reel

IMPORTANT NOTICE

Micro Commercial Components Corp. reserves the right to make changes without further notice to any product herein to make corrections, modifications, enhancements, improvements, or other changes. *Micro Commercial Components Corp.* does not assume any liability arising out of the application or use of any product described herein; neither does it convey any license under its patent rights, nor the rights of others. The user of products in such applications shall assume all risks of such use and will agree to hold *Micro Commercial Components Corp.* and all the companies whose products are represented on our website, harmless against all damages.

APPLICATIONS DISCLAIMER

Products offer by *Micro Commercial Components Corp.* are not intended for use in Medical, Aerospace or Military Applications.