

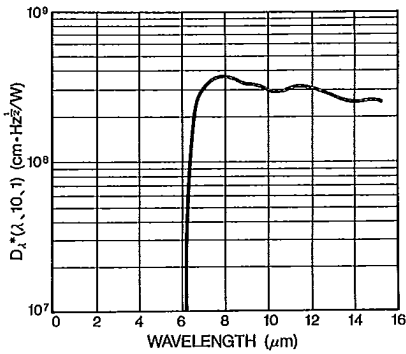
Pyroelectric Detectors

Dual Element Type P2288

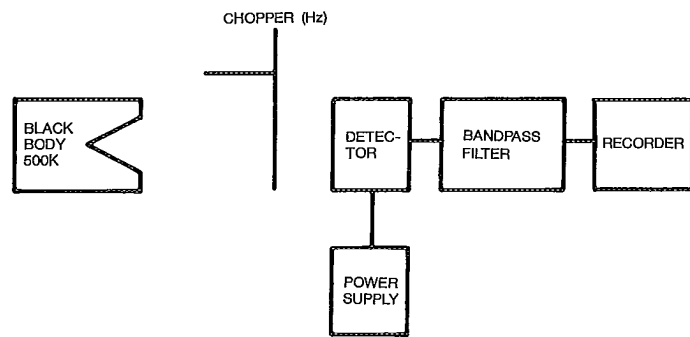
Type No.	Window Material	Sensitive Area (mm)	Spectral Response Range (μm)	Sensitivity Typ.		Noise Max. ($\mu\text{V}/\text{Hz}^{1/2}$)	NEP (500,1,1) Typ. ($\text{W}/\text{Hz}^{1/2}$)	D^* (500,1,1) Typ. ($\text{cmHz}^{1/2}/\text{W}$)	Rise Time t_r 0~63% Typ. (ms)	Temp. Coefficient of Sensitivity Max. (%/°C)	Supply Voltage (V)	Offset Voltage $R_L = 22\text{K}\Omega$ (V)	Temperature	
				1 Hz (V/W)	10 Hz (V/W)								Operating (°C)	Storage (°C)
P2288	BF	2x1	7~15	3200	450	15	1×10^{-9}	1.5×10^8	100	0.2	3~15	0.3~1.5	-20~+60	-30~+85

BF: Bandpass filter

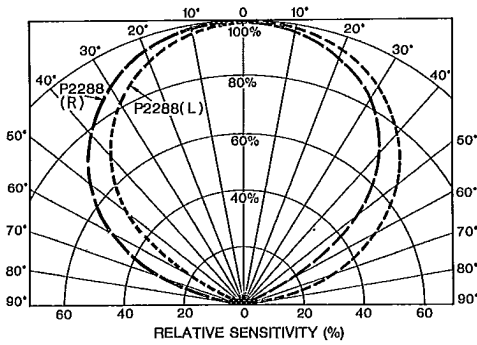
Spectral Response



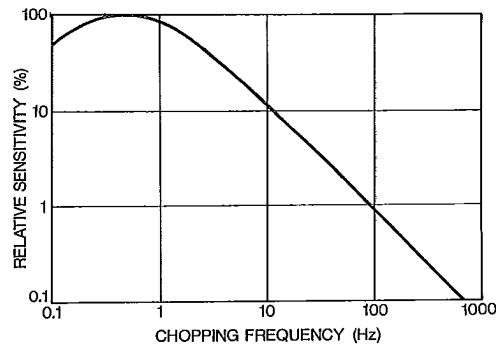
Measurement Block Diagram



Directivity



Sensitivity vs. Chopping Frequency



Unit: mm

P2288

