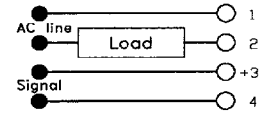


- ▲ 4000 volt photo isolation
- 200% load tested at rated current at 0.5 power factor
- Zero voltage turn-on
- ▲ TTL compatible
- Built-in snubber
- UL recognized
- ▲ Die cast mounting base
- CSA certified
- Withstands 2000 volt transients

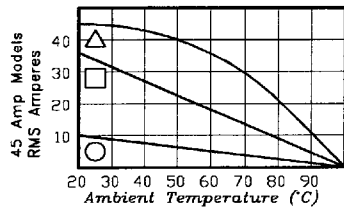
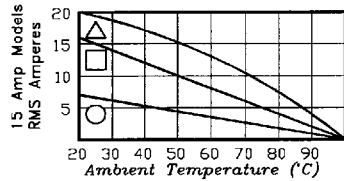
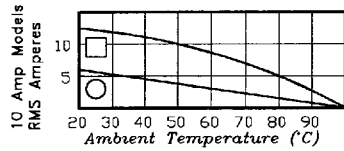
Our fully transient-proof SSR's are the ultimate design for reliable performance. Operating on 480 volt power sources, these transient-proof relays withstand 2000 volt long duration transients. Your reliable advantage is the Opto 22 unique circuit which provides zap-proof results.

**Connection Diagram**

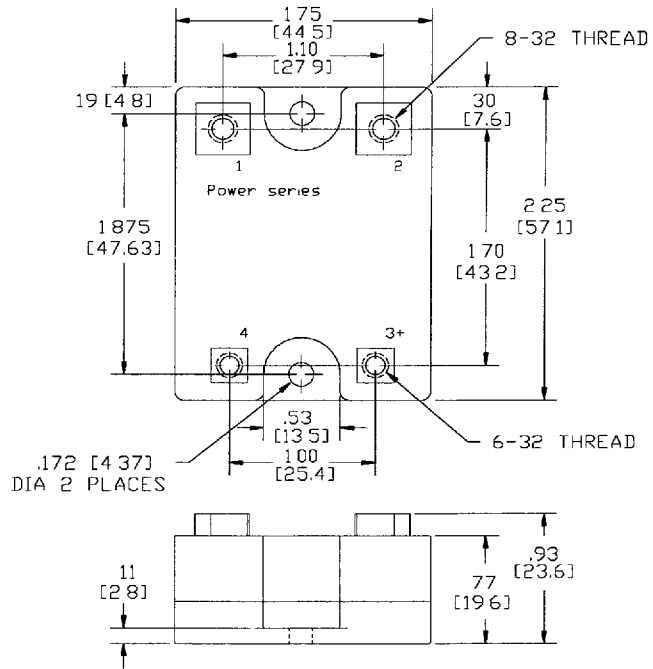
**Note:** Load may be in series with terminal 1 or 2.



CURRENT V.S. AMBIENT



○ Free air  
 □ Mounted on 6" x 6" plate (2C/watt)  
 △ Mounted on 12" x 12" plate (1C/watt)



TOLERANCES: .XX ± 0.03 [0.8]  
 .XXX ± 0.010 [0.25]

# 480/575 VOLT TRANSIENT-PROOF SSR



## Detailed Electrical Specifications

Model Number	Nominal AC Line Voltage	Nominal Current Rating Amps	1 Cycle Surge (Amps) Peak	Nominal Signal Input Resistance Ohms	Signal Pick-up Voltage	Signal Drop-out Voltage	Peak Repetitive Voltage Minimum	Maximum Output Voltage Drop	Off State Leakage mA Maximum	Operating Voltage Range Volts AC	$i^2t$ Rating $t = 8.3$ Milliseconds	Isolation Voltage	$\theta_{jc}^*$ °C/Watt	Dissipation Watts/Amp
480D10-12	480	10	110	1000	3 VDC (32V allowed)	1 VDC	1200	3.2 volts	11 mA	100 - 530	50	4000 V <sub>rms</sub>	1.2	2.5
480D15-12	480	15	150	1000	↓	1 VDC	1200	3.2 volts	11 mA	100 - 530	90	4000 V <sub>rms</sub>	1.2	2.5
480D25-12	480	25	250	1000		1 VDC	1000	1.6 volts	11 mA	100 - 530	250	4000 V <sub>rms</sub>	1.3	1.3
480D45-12	480	45	650	1000		1 VDC	1000	1.6 volts	11 mA	100 - 530	1750	4000 V <sub>rms</sub>	0.67	0.9
575D15-12	575	15	150	1000		1 VDC	1200	3.2 volts	15 mA	100 - 600	90	4000 V <sub>rms</sub>	1.2	2.5
575D45-12	575	45	650	1000		1 VDC	1000	1.6 volts	15 mA	100 - 600	1750	4000 V <sub>rms</sub>	0.67	0.9

## Surge Current Data

Time Seconds	Time** (Cycles)	10 AMP	15 AMP	25 AMP	45 AMP
		Peak Amps	Peak Amps	Peak Amps	Peak Amps
0.017	1	110	150	250	650
0.050	3	85	140	175	420
0.100	6	70	110	140	320
0.200	12	60	90	112	245
0.500	30	50	70	80	175
1	60	40	55	67	134
2	120	33	49	53	119
3	180	32	47	49	98
4	240	31	43	47	95
5	300	30	40	45	91
10	600	28	35	42	84

Note: \*\*60 Hz

## Additional Specifications

A L L M O D E L S

**Isolation:**

Coupling capacitance input to output  
8 PF maximum.

**Operating Temperature:**

- 40° C to 100° C

**Operating Frequency:**

25 - 65 Hz (400 Hz with 6 times  
higher off-state leakage)

**Turn-on Time:**

1/2 cycle maximum zero voltage

**Turn-off Time:**

1/2 cycle maximum zero current

**DV/DT Off State:**

200 V/microsecond

**DV/DT Commutating:**

Snubbed for rated current at 0.5  
power factor

$\theta_{jc}$  = Thermal resistance junction to base  
Maximum junction temperature is 110° C