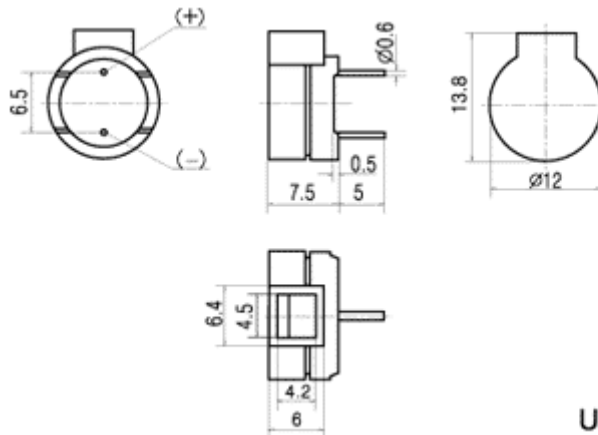




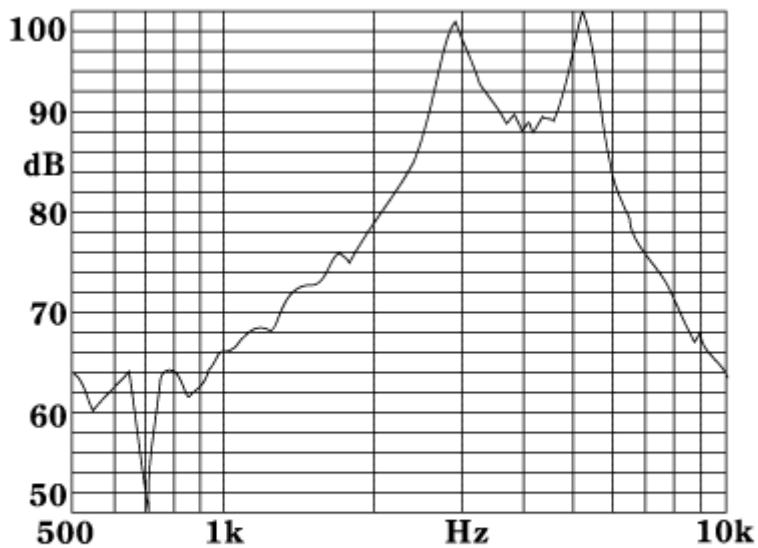
Type	BMT-04A	BMT-04B	BMT-04C
Rated Voltage(V)	1.5		
Operating Voltage(V)	1~2		
◆Rated Current(mA)	<70		<10
Coil Resistance(Ω)	6.5±1		42±6
◇Coil Impedance(Ω)	16	22	120
◆Sound Output at 10cm(dB)	>80	>85	>70
Resonant Frequency(Hz)	2048	2731	2048
Operating Temperature(°C)	-25~+70		
Storage Temperature(°C)	-30~+85		
Weight(g)	2		

◆ Value applying rated voltage(resonant frequency, 1/2 duty, square wave)
 ◇ Value applying(resonant frequency, sine wave, measuring current 60μA)



Unit:mm

www.DataSheet4U.com



Applied voltage: 1.5V, 1/2 duty, square wave
 Distance for measurement: 10cm