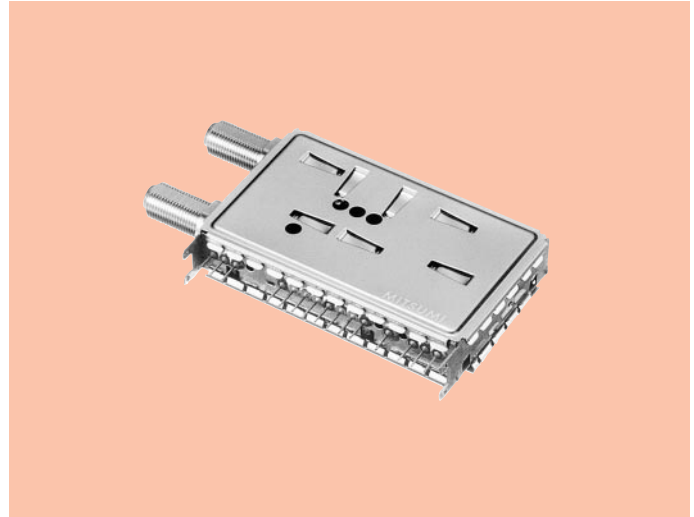


2nd RF Units for Digital Satellite Broadcasting Receiver TSU9 Series

DBS 2nd RF Units, CATV Converters

OUTLINE

TSU9 series is a compact and lightweight second RF unit incorporating I/Q demodulator for receiving digital satellite broadcasting.



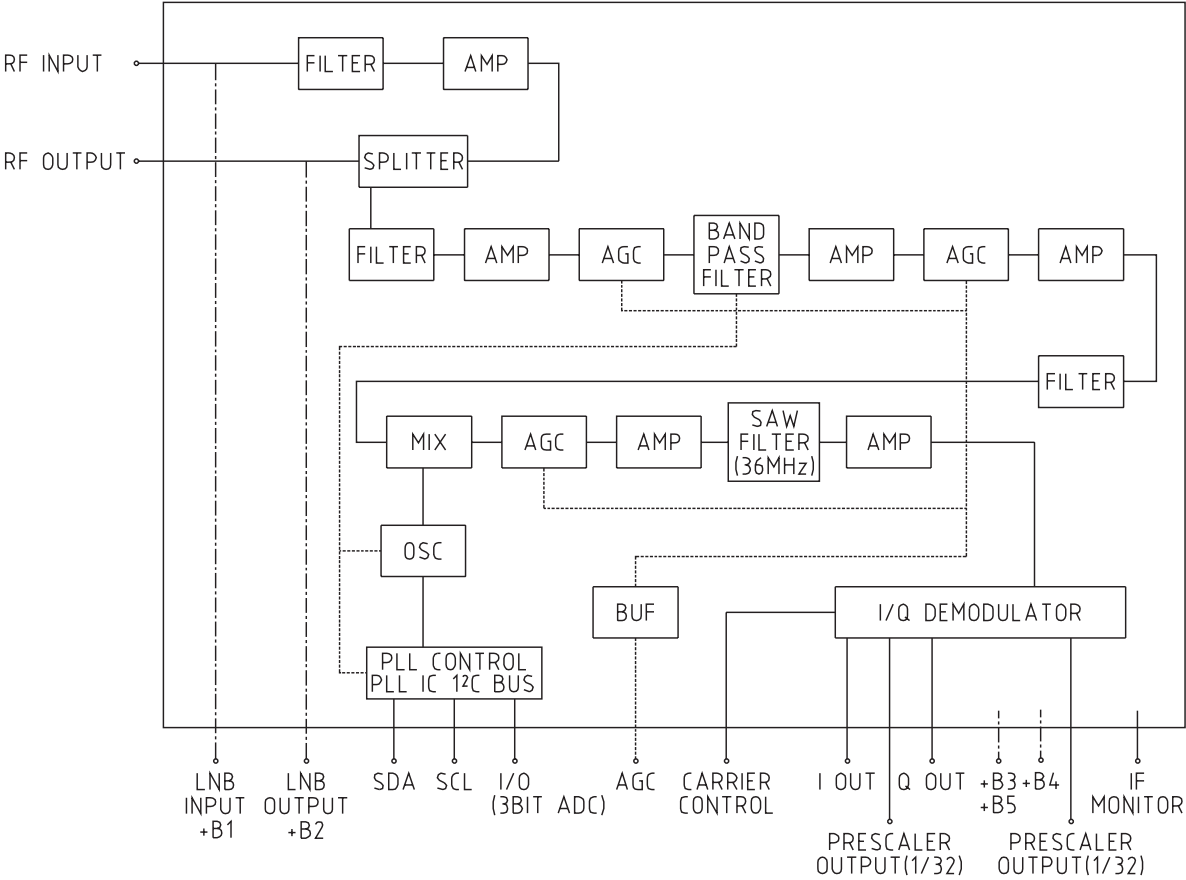
FEATURE

1. Incorporates an I/Q demodulator.
2. Superb sensitivity and distortion characteristic.
3. Provided with a carrier control terminal that can control local oscillator frequency for I/Q demodulator.
4. Incorporates a distributor for connection to analog tuner.
5. Incorporates an IF-band switch.
6. Incorporates a PLL circuit that provides excellent phase noise characteristic.
7. A wide range of receivable input frequency.
8. Provided with a pre-scaler output terminal for I/Q demodulator.

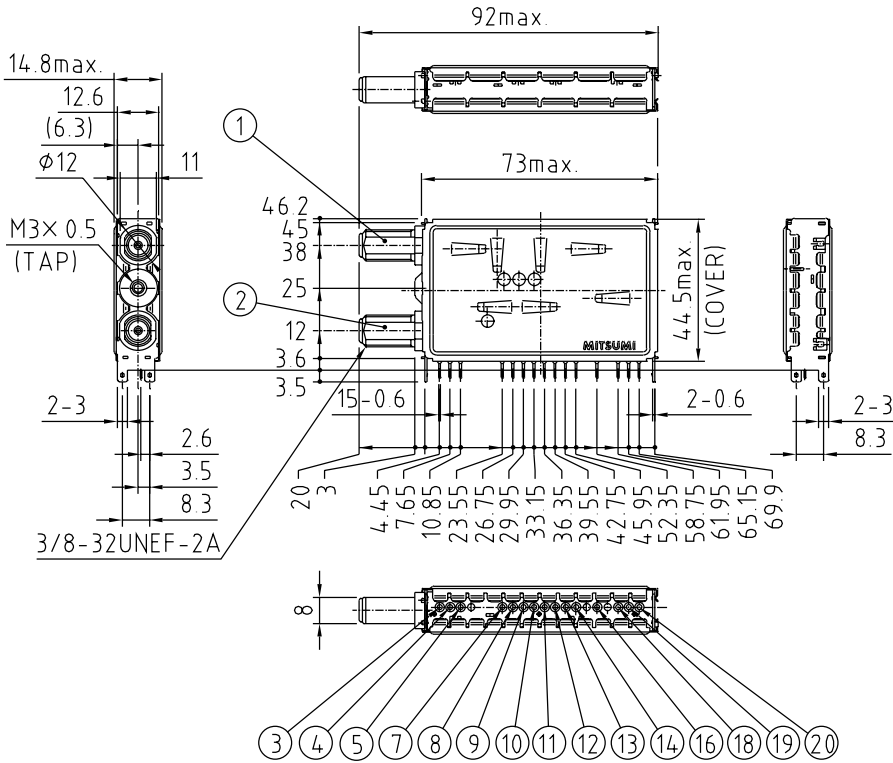
SPECIFICATIONS

Item	Models	TSU9-E01DT	Remarks
Input Frequency		950~2050MHz	
Input Impedance		75Ω	
Input Level		-25~-70dBm	F-female or IEC-female
IF Frequency		479.5MHz	
IQ Output Level		0.5Vp-p typ.	
Phase Noise		-78dBc/Hz	at 10kHz off
I/Q Phase Error		±3DEG max.	
I/Q Amplitude Error		±1.5dB max.	
Intermodulation		-40dBc typ.	at 3 signals

BLOCK DIAGRAM



DIMENSIONS



Terminals	
1.	RF Input
2.	RF Output
3.	+B1 to LNB Input
4.	+B2 to LNB Output
5.	+B5 (+5V)
6.	Carrier Control
7.	I. Out
8.	Q. Out
9.	Prescaler Out
10.	+B3 (+5V)
11.	IF Monitor
12.	AGC Control
13.	—
14.	+B4 (+28V)
15.	—
16.	Date
17.	Clock
18.	I/O Out (3 BIT ADC)
19.	Prescaler Out

Unit : mm
General Tolerance : ±0.5mm