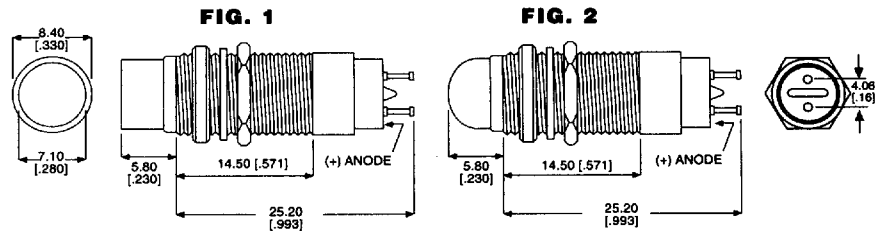


LED PANEL MOUNT INDICATORS

249 SERIES FOR 3/8" MOUNTING HOLE

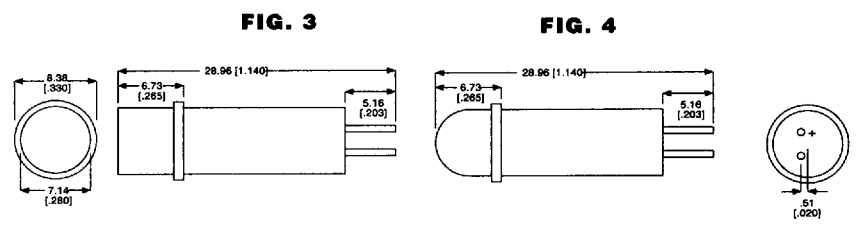
PART NO. *	COLOR	V _f	mA	mcd†	FIG.
249-7868-3331-504	R	5	20	30	1
249-7968-3332-504	G	5	20	40	1
249-8068-3333-504	Y	5	20	40	1
249-7870-3331-504	R	10	20	30	1
249-7970-3332-504	G	10	20	40	1
249-8070-3333-504	Y	10	20	40	1
249-7871-3331-504	R	14	20	30	1
249-7971-3332-504	G	14	20	40	1
249-8071-3333-504	Y	14	20	40	1
249-7872-3331-504	R	28	20	30	1
249-7972-3332-504	G	28	20	40	1
249-8072-3333-504	Y	28	20	40	1



***PART NUMBER ORDERING CODE**
249 - 7868 - xx31 - 504
 Series Lens Shape:
 33 - Fig 1 = Cylindrical
 37 - Fig 2 = Stovepipe

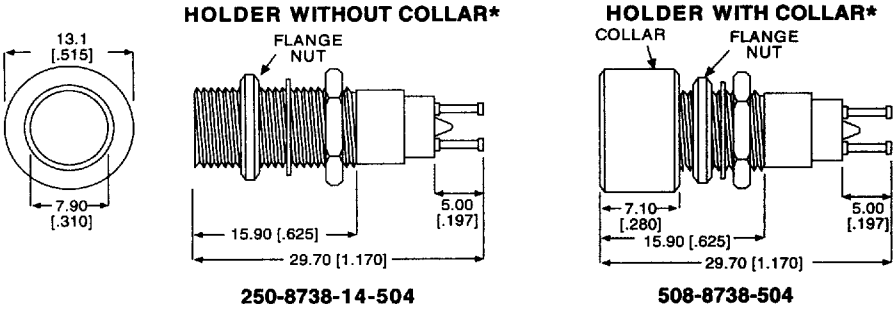
507 SERIES CARTRIDGES FOR USE WITH HOLDERS & CLIPS

PART NO. *	COLOR	V _f	mA	mcd†	FIG.
507-4762-3331-500	R	2	20	30	3
507-4862-3332-500	G	2.1	20	40	3
507-4962-3333-500	Y	2.1	20	45	3
507-4757-3331-500	R	5	15	10	3
507-4857-3332-500	G	5	20	50	3
507-4957-3333-500	Y	5	20	35	3
507-4759-3331-500	R	10	15	10	3
507-4859-3332-500	G	10	20	50	3
507-4959-3333-500	Y	10	20	35	3
507-4760-3331-500	R	14	20	10	3
507-4860-3332-500	G	14	20	50	3
507-4960-3333-500	Y	14	20	35	3
507-4761-3331-500	R	28	15	10	3
507-4861-3332-500	G	28	20	50	3
507-4961-3333-500	Y	28	20	35	3



***PART NUMBER ORDERING CODE**
507 - 4762 - xx31 - 500
 Series Lens Shape:
 33 - Fig 3 = Cylindrical
 37 - Fig 4 = Stovepipe

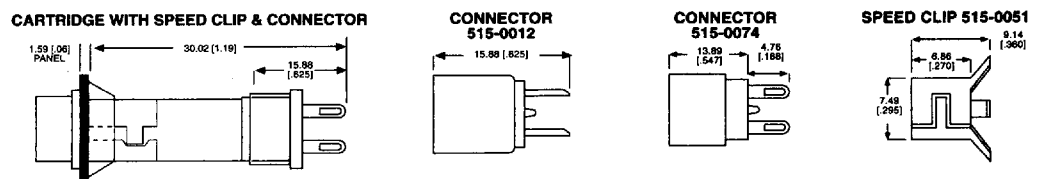
250 & 508 SERIES HOLDERS FOR 3/8" MOUNTING HOLE



***PART NUMBER ORDERING CODE**
250 - xx38 - 14 - 504
508 - xx38 - 504
 Series Terminal Type:
 87 = Turret Terminals
 74 = Solder Blade (Not Shown)
 75 = Solder Cups (Not Shown)

Material & Finish: Housing, Cartridge and Holder - Black Anodized Aluminum. Cap -High Impact Plastic

515 SERIES CONNECTORS & SPEED CLIPS FOR 9/32" MOUNTING HOLE



† mcd intensity of LED

Material & Finish: Housing, Cartridge and Holder - Black Anodized Aluminum. Cap -High Impact Plastic

Dimensions in mm [inches]



10 . 2812672 0004629 640