

# RF Power Dividers

## 10 – 1000 MHz, 2 Watts

### PD RF Series

V2.00

#### Features

- Type SMA Female Connectors.
- Lightweight Miniature Aluminum Construction.
- Two to 8 Output Versions Available

#### Description

M/A-COM's RF Power Dividers feature SMA connectors on lightweight miniature aluminum housings. These versatile 2-Watt power dividers are available in 2, 3, 4, 6 and 8-way designs for all of your system integration needs.

#### Ordering Information

Part Number	Figure	VSWR (Max)	Insertion Loss (dB)	Isolation (dB)	Amplitude Balance (dB)	Phase Balance (Degrees)
PD10-0051-SMA	1	1.5:1	1.0	20	0.3	4°
PD20-0017-SMA	2	1.5:1	1.25	18	0.5	5°
PD25-0015-SMA	3	1.5:1	1.5	18	0.5	5°
PD15-0005-SMA	4	1.5:1	1.5	20	0.5	5°
PD30-0006-SMA	5	1.5:1	2.0	20	.75	8°

Power: 2 Watts Maximum.  
Finish: Yellow Iridite.

Figure 1

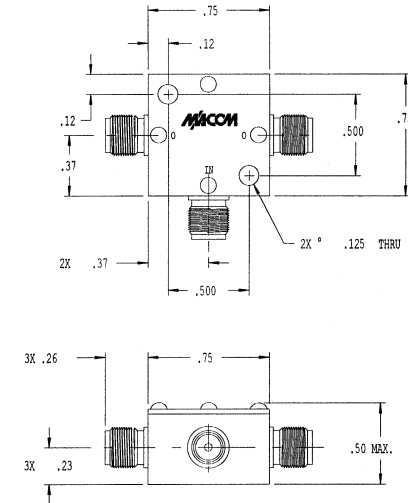


Figure 2

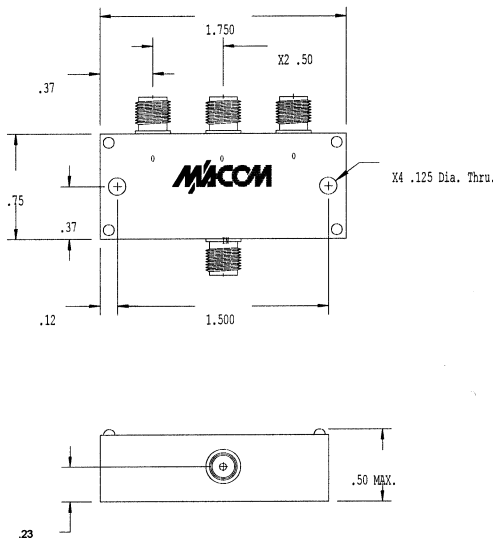


Figure 3

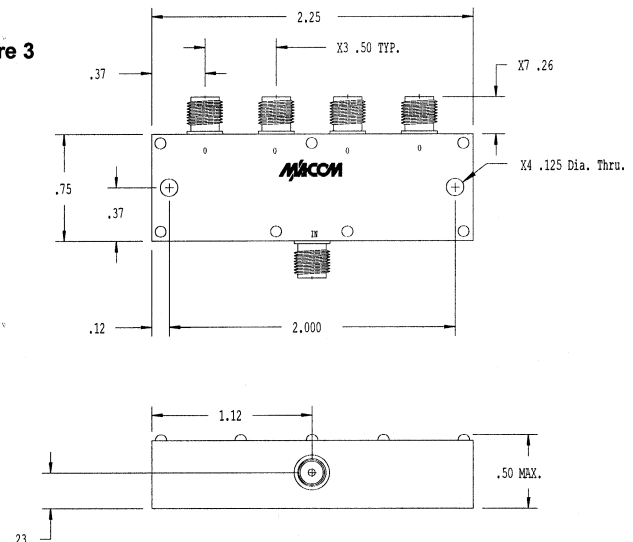


Figure 4

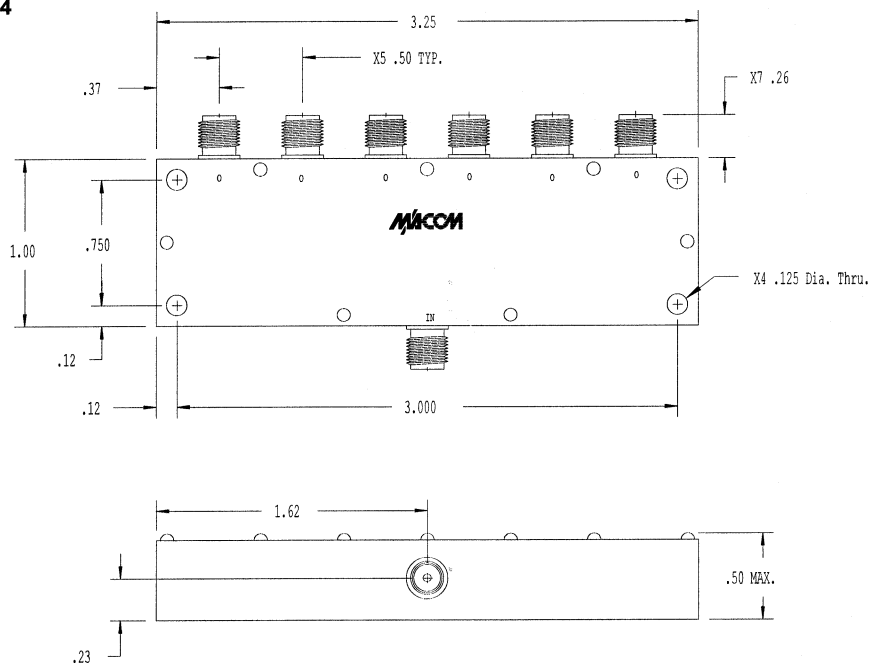


Figure 5

