

**REL-LABS INC.***Hybrid Microelectronic Manufacturing*30 Midland Avenue  
Hicksville, N.Y. 11801  
(516) 935-7272  
FAX # (516) 935-8568PRELIMINARY DATA SHEET  
RL 75450 / 55450

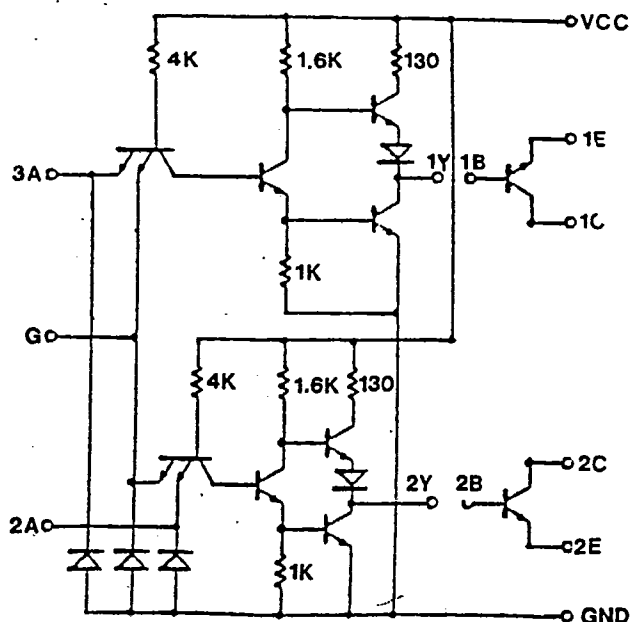
## DUAL POSITIVE AND PERIPHERAL DRIVER

ALL INPUT ELECTRICAL CHARACTERISTICS  
SAME AS 75450B / 55450B

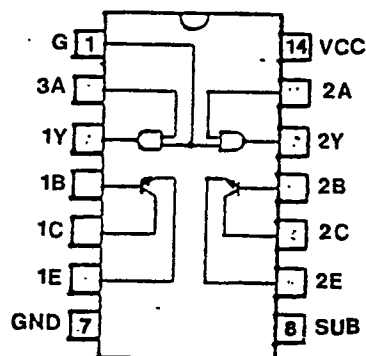
OUTPUT VOLTAGE	
DASH No.	VOLTAGE MAX.
-060	60
-080	80
-140	140
-150	150
-160	160
-180	180
-250	250
-300	300
-XXX	TBD *

\* - Special characteristics or  
transistor outputs.

## EQUIVALENT CIRCUIT



All resistors in ohms.

CONNECTION DIAGRAM  
14 LEAD DIP  
( TOP VIEW )

## LOGIC FUNCTION

Positive Logic : Y= AG (gate only)  
C= AG (gate and transistor)