

**PLEASE CHECK WWW.MOLEX.COM FOR LATEST PART INFORMATION**

**Part Number:** [5015270230](#)  
**Status:** **Active**  
**Overview:** [slimstack\\_mm016\\_pitch](#)  
**Description:** 0.40mm (.016") Pitch SlimStack™ Board-to-Board Receptacle, SMT, Dual Row, Vertical, 1.30mm (.051") Stacking Height, With Solder Tabs, With Metal Cover, 20 Circuits

**Documents:**

[3D Model](#) [Product Specification PS-501527-001 \(PDF\)](#)  
[Drawing \(PDF\)](#) [RoHS Certificate of Compliance \(PDF\)](#)

**General**

Product Family PCB Receptacles  
 Series [501527](#)  
 Application Board-to-Board  
 Overview [slimstack\\_mm016\\_pitch](#)  
 Product Name SlimStack™

**Physical**

Circuits (Loaded) 20  
 Color - Resin Black  
 Durability (mating cycles max) 30  
 Glow-Wire Compliant No  
 Lock to Mating Part Yes  
 Mated Height (in) 0.051 In  
 Mated Height (mm) 1.30 mm  
 Material - Metal High Performance Alloy (HPA), Phosphor Bronze, Stainless Steel  
 Material - Plating Mating Gold  
 Number of Rows 2  
 Orientation Vertical  
 PCB Locator No  
 PCB Retention Yes  
 Packaging Type Embossed Tape on Reel  
 Pitch - Mating Interface (in) 0.016 In  
 Pitch - Mating Interface (mm) 0.40 mm  
 Polarized to Mating Part No  
 Polarized to PCB No  
 Robotic Placement Pick and Place Cap  
 Stackable No  
 Temperature Range - Operating -25°C to +85°C  
 Termination Interface: Style Surface Mount

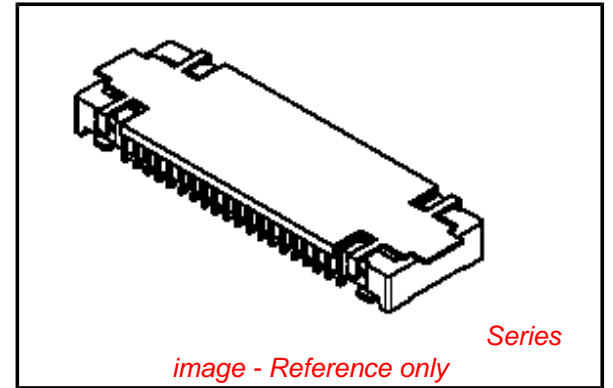
**Electrical**

Current - Maximum per Contact 0.3A  
 Voltage - Maximum 50V AC (RMS)/DC

**Material Info**

**Reference - Drawing Numbers**

Packaging Specification SPK-501527-001  
 Product Specification PS-501527-001, RPS-501527-001, RPS-501527-004  
 Sales Drawing SD-501527-001, SD-501527-002



**EU RoHS**

**ELV and RoHS Compliant**  
**REACH SVHC**  
 Not Reviewed  
**Halogen-Free Status**

**China RoHS**



**Not Reviewed**

**Need more information on product environmental compliance?**

Email [productcompliance@molex.com](mailto:productcompliance@molex.com)  
 For a multiple part number RoHS Certificate of Compliance, [click here](#)

Please visit the [Contact Us](#) section for any non-product compliance questions.

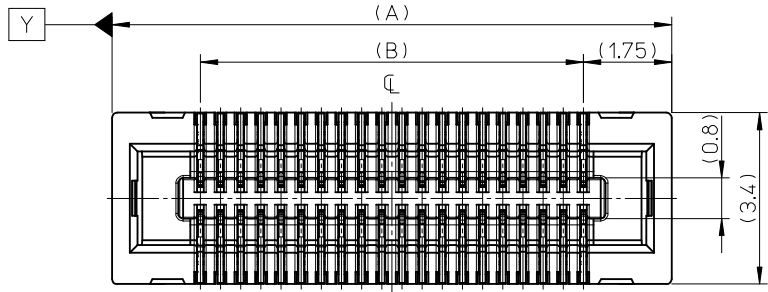
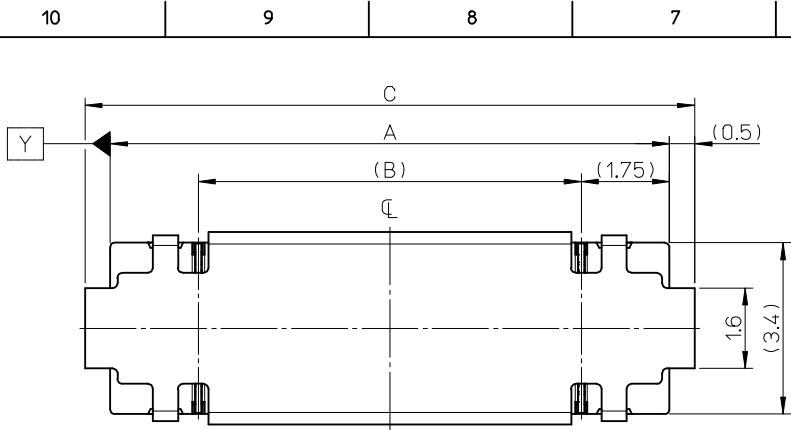
**Search Parts in this Series**

[501527Series](#)

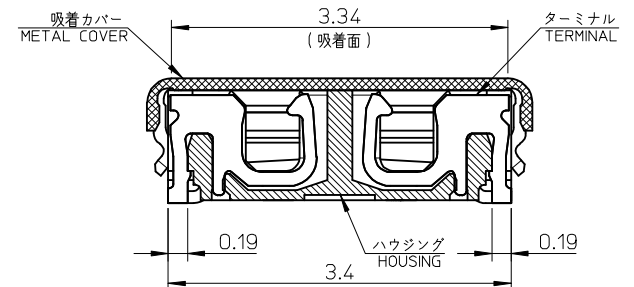
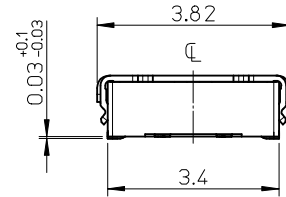
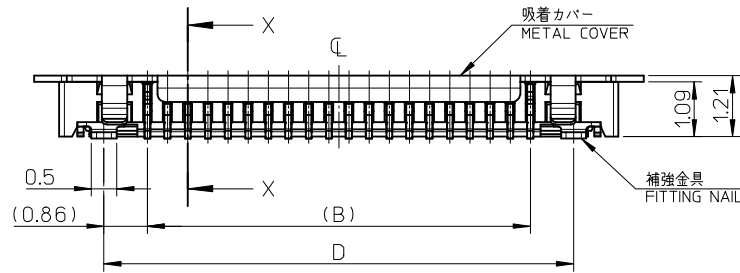
**Mates With**

[501531 PCB Header](#)

**PLEASE CHECK [WWW.MOLEX.COM](http://WWW.MOLEX.COM) FOR LATEST PART INFORMATION**

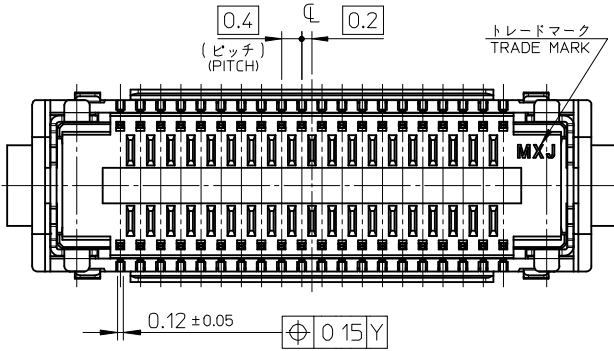


吸着カバー無し図 [参考]  
WITHOUT METAL COVER  
(REFERENCE)

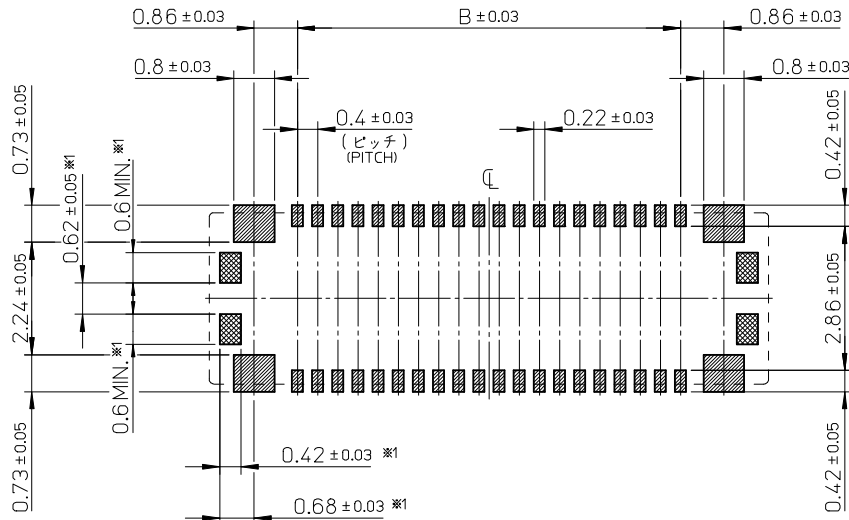


SECTION X-X

19.32	22.1	17.6	21.1	501527-0930	501527-0939	90
17.32	20.1	15.6	19.1	501527-0830	501527-0839	80
11.32	14.1	9.6	13.1	501527-0530	501527-0539	50
9.32	12.1	7.6	11.1	501527-0430	501527-0439	40
8.12	10.9	6.4	9.9	501527-3430	501527-3439	34
7.72	10.5	6.0	9.5	501527-3230	501527-3239	32
7.32	10.1	5.6	9.1	501527-0330	501527-0339	30
5.32	8.1	3.6	7.1	501527-0230	501527-0239	20
D	C	B	A	EMBOSSSED TAPE PKG.	MATERIAL No.	CKT.
				ORDER No. オーダー番号	MODEL No. : 501527-**39	



REVISED EC NO.: J2009-0301 D DRWN: MABEL 2008/08/27 CHKD: THARUYAMA 2008/08/28 APPR: NUKITA 2008/08/28	GENERAL TOLERANCES (UNLESS SPECIFIED)		DIMENSION STYLE MM ONLY		SCALE 10:1	DESIGN UNITS METRIC	THIRD ANGLE PROJECTION
	10 UNDER	± 0.2	DRAWN BY RTAKEUCHI	DATE 2005/10/25	TITLE 0.4 B-TO-B CONN. HGT=1.3 REC ASSY WITH COVER -LEAD FREE-		
	10 OVER 30 UNDER	± 0.25	CHECKED BY THIRATA	DATE 2005/10/25	MOLEX INCORPORATED		
	30 OVER	± 0.3	APPROVED BY MSASAO	DATE 2005/10/25	DOCUMENT NO. SD-501527-001		
	ANGULAR ± 3 °	DRAFT WHERE APPLICABLE MUST REMAIN WITHIN DIMENSIONS		MATERIAL NO. SEE TABLE		SHEET NO. 1 OF 2	
		SIZE A3 THIS DRAWING CONTAINS INFORMATION THAT IS PROPRIETARY TO MOLEX INCORPORATED AND SHOULD NOT BE USED WITHOUT WRITTEN PERMISSION					



※1 : 補強金具部と同一回路以外のパターン (配線) 引き回し禁止範囲を示す。

参考基板レイアウト (マウント面)  
P.C. BOARD PATTERN DIMENSION (REFERENCE)  
(MOUNTING AREA)

注記 NOTES

1. 使用材料 MATERIAL

ハウジング: 液晶ポリマー ( LCP ) , ガラス充填 UL94V-0 (黒)  
HOUSING: LIQUID CRYSTAL POLYMER (GLASS FILLED) UL94V-0 (COLOR: BLACK)

ターミナル: りん青銅 (t=0.12)  
TERMINAL: PHOSPHOR BRONZE (t=0.12)

金具: コルソン銅 (t=0.12)  
FITTING NAIL: CORSON TYPE COPPER ALLOY (t=0.12)

吸着カバー: ステンレス (t=0.12)  
METAL COVER: STAINLESS (t=0.12)

2. メッキ仕様 PLATING

ターミナル TERMINAL

金メッキ 0.2 マイクロメートル以上 (コンタクト部)  
GOLD 0.2 MICROMETER MINIMUM (CONTACT AREA)

金メッキ 0.4 マイクロメートル以下 (テール部)  
GOLD 0.4 MICROMETER MAXIMUM (TAIL AREA)

下地メッキ: ニッケルメッキ 1.5 マイクロメートル以上  
UNDER PLATING: NICKEL 1.5 MICROMETER MINIMUM

※コンタクト部とテール部はニッケルメッキによって分断されている金メッキです。  
DIVIDE INTO PARTS THE GOLD PLATING OF THE CONTACT AND THE TAIL PART BY THE NICKEL PLATING.

金具 FITTING NAIL

半田付け処理 (金・パラジウムコート)  
SOLDERABILITY IMPROVEMENT COAT (Au & Pd COAT)

下地メッキ: ニッケルメッキ 1.0 マイクロメートル以上  
UNDER PLATING: NICKEL 1.0 MICROMETER MINIMUM

△ (全極数 / 2) = 偶数の場合に適用。  
APPLY FOR (CIRCUIT / 2) = EVEN.

4. 嵌合相手: 501531 シリーズ  
MATE WITH: 501531 SERIES.

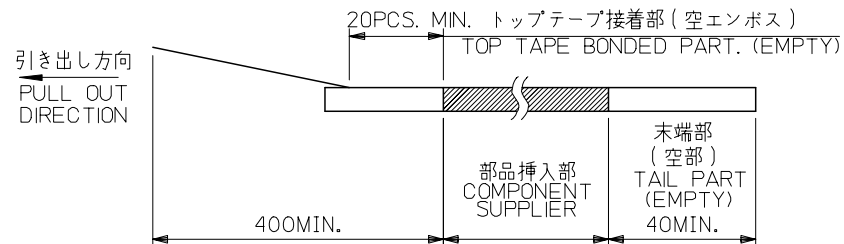
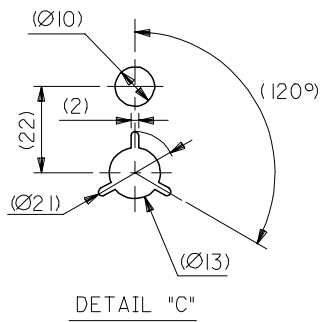
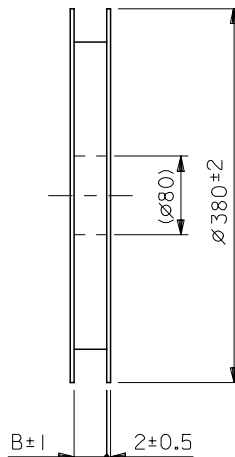
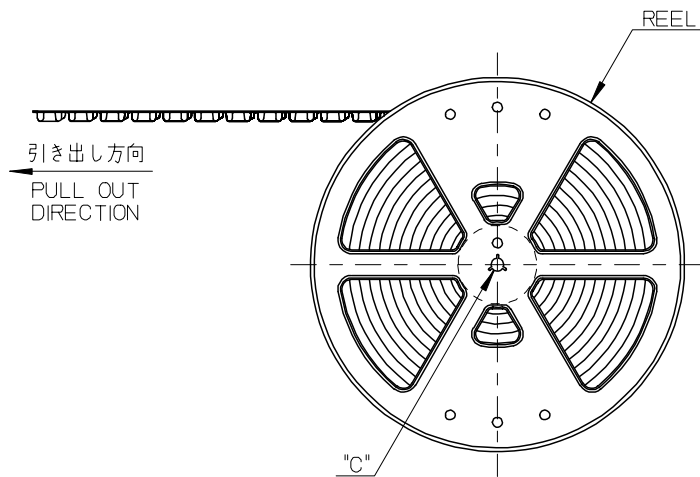
5. テール平坦度は、0.08 以下

テール及び金具の平坦度は、0.1 以下  
TAIL COPLANARITY TO BE 0.08 MAXIMUM.  
TAIL AND FITTING NAIL COPLANARITY TO BE 0.1 MAXIMUM.

REVISED EC NO: J2009-0301 DRWN: MWABEI 2008/08/27 CHKD: THARUYAMA 2008/08/28 APPR: NUKITA 2008/08/28	GENERAL TOLERANCES (UNLESS SPECIFIED)		DIMENSION STYLE MM ONLY	SCALE 10:1	DESIGN UNITS METRIC	THIRD ANGLE PROJECTION
	10 UNDER	±0.2	DRAWN BY RTAKEUCHI	DATE 2005/10/25	TITLE 0.4 B-TO-B CONN. HGT=1.3 REC ASSY WITH COVER -LEAD FREE-	
	10 OVER 30 UNDER	±0.25	CHECKED BY THIRATA	DATE 2005/10/25	MOLEX INCORPORATED	
	30 OVER	±0.3	APPROVED BY MSASAO	DATE 2005/10/25	MATERIAL NO. SEE SHEET 1	DOCUMENT NO. SD-501527-001
REV	DESCRIPTION	ANGULAR ±3 ° DRAFT WHERE APPLICABLE MUST REMAIN WITHIN DIMENSIONS	SIZE A3	THIS DRAWING CONTAINS INFORMATION THAT IS PROPRIETARY TO MOLEX INCORPORATED AND SHOULD NOT BE USED WITHOUT WRITTEN PERMISSION		

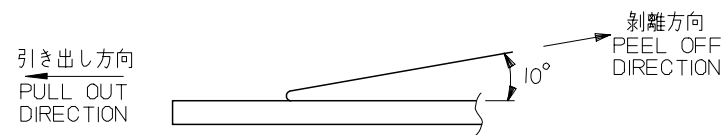
注記 NOTES

- 製品詳細寸法については製品単体図面を参照下さい。  
RE DETAILED DIMENSION, SEE PRODUCT DRAWING.
- 梱包数量：6000 個/リール  
NUMBER OF CONNECTORS : 6000PCS/REEL
- リードテープ長さ LEAD TAPE LENGTH



- トップテープの剥離強度：JES-59 参照  
剥離方向は下図参照。

PEELING OFF STRENGTH OF TOP TAPE : REFER TO JES-59  
PEELING DIRECTION AS SHOWN IN FOLLOWING FIGURE.



- 材料 MATERIAL

キャリアテープ (CARRIER TAPE) : ポリスチレン (POLYSTYRENE)  
トップテープ (TOP TAPE) : PET , PE , PEF  
リール (REEL) : ポリスチレン (PS) <リサイクル材を含む>  
POLYSTYRENE (PS) <RECYCLE MATERIAL CONTAINED>

MODEL NO. 501527-\*\*\*30

REVISED EC NO: J2007-3237 DRAWN BY: RTAKEUCHI CHECKED BY: THIRATA APPROVED BY: MSASAO DATE: 2007/08/01 DATE: 2007/08/02 DATE: 2007/08/02	GENERAL TOLERANCES (UNLESS SPECIFIED)		DIMENSION STYLE MM ONLY	SCALE ---	DESIGN UNITS METRIC	THIRD ANGLE PROJECTION
	10 UNDER	± ---	DRAWN BY: RTAKEUCHI	DATE: 2005/10/26	TITLE 0.4 B-TO-B CONN. HGT=1.3 REC ASSY WITH COVER EMBSTP PKG -LEAD FREE-	
	10 OVER 30 UNDER	± ---	CHECKED BY: THIRATA	DATE: 2005/10/26	MOLEX INCORPORATED	
	30 OVER	± ---	APPROVED BY: MSASAO	DATE: 2005/10/26	DOCUMENT NO. SD-501527-002	SHEET NO. 1 OF 4
C	DESCRIPTION	ANGULAR ± --- °	MATERIAL NO.	SEE CHART		
DRAFT WHERE APPLICABLE MUST REMAIN WITHIN DIMENSIONS		SIZE A3		THIS DRAWING CONTAINS INFORMATION THAT IS PROPRIETARY TO MOLEX INCORPORATED AND SHOULD NOT BE USED WITHOUT WRITTEN PERMISSION		

10 9 8 7 6 5 4 3 2 1

F

E

D

C

B

A

F

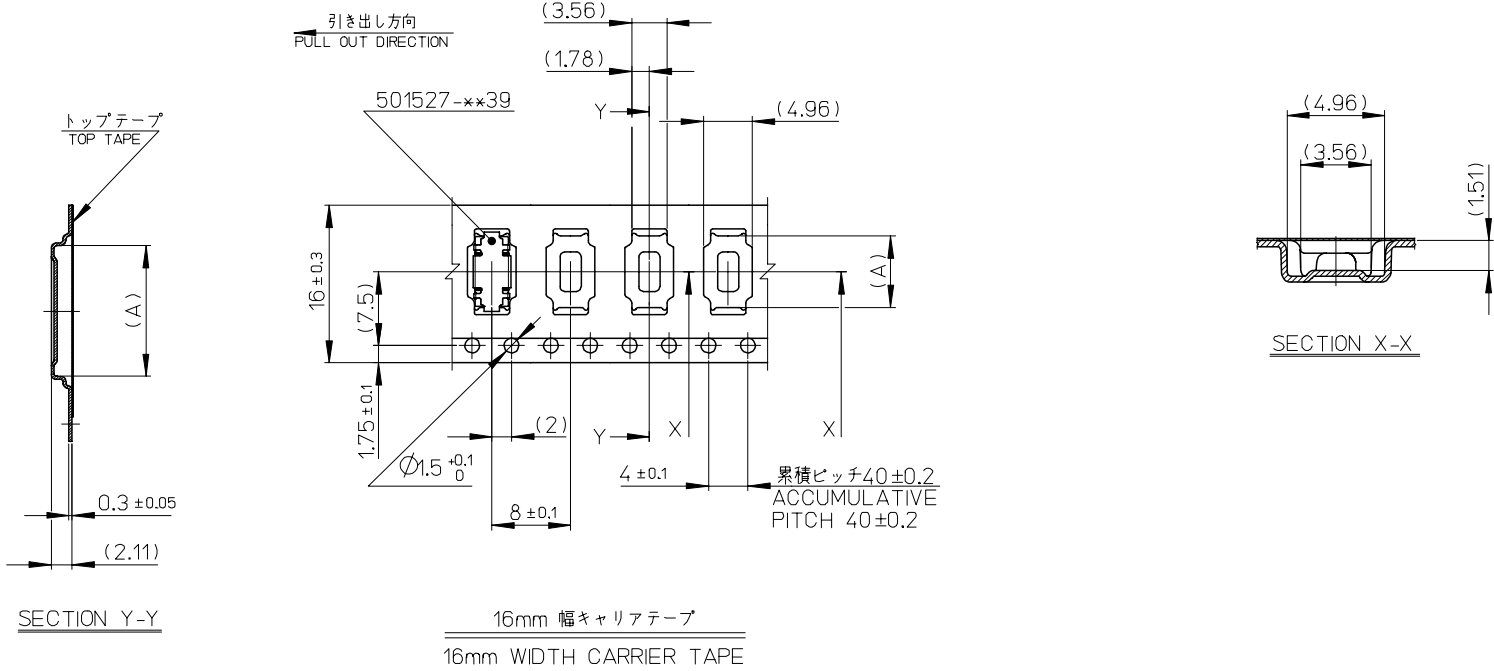
E

D

C

B

A



16mm 幅キャリアテープ  
16mm WIDTH CARRIER TAPE

16	17.5	7.26	501527-0230	20
キャリアテープ幅 CARRIER TAPE WIDTH	B	(A)	MATERIAL No.	CKT.
			MODEL No.	501527-**30

REVISED EC NO: J2007-3237 DRWNG: SAITO01 2007/08/01 CHKDK: TOYODA 2007/08/02 APPR: NUKITA 2007/08/02	DESCRIPTION	GENERAL TOLERANCES (UNLESS SPECIFIED)	DIMENSION STYLE MM ONLY	SCALE ---	DESIGN UNITS METRIC	THIRD ANGLE PROJECTION
	REV	10 UNDER ±---	DRAWN BY RTAKEUCHI	DATE 2005/10/26	TITLE 0.4 B-TO-B CONN. HGT=1.3 REC ASSY WITH COVER EMBSTP PKG -LEAD FREE-	
		10 OVER 30 UNDER ±---	CHECKED BY THIRATA	DATE 2005/10/26		
		30 OVER ±---	APPROVED BY MSASAO	DATE 2005/10/26		
		ANGULAR ±---	MATERIAL NO.	DOCUMENT NO.	SHEET NO.	
		DRAFT WHERE APPLICABLE MUST REMAIN WITHIN DIMENSIONS	SEE CHART	SD-501527-002	2 OF 4	
			THIS DRAWING CONTAINS INFORMATION THAT IS PROPRIETARY TO MOLEX INCORPORATED AND SHOULD NOT BE USED WITHOUT WRITTEN PERMISSION			

10 9 8 7 6 5 4 3 2 1

F

F

E

E

D

D

C

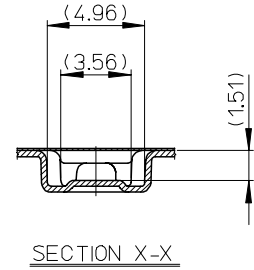
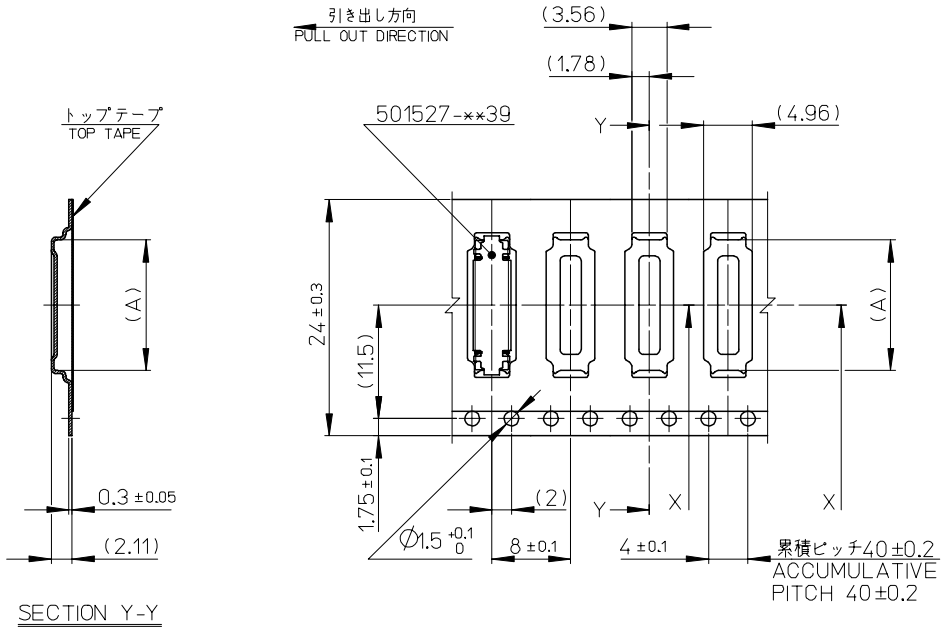
C

B

B

A

A



SECTION Y-Y

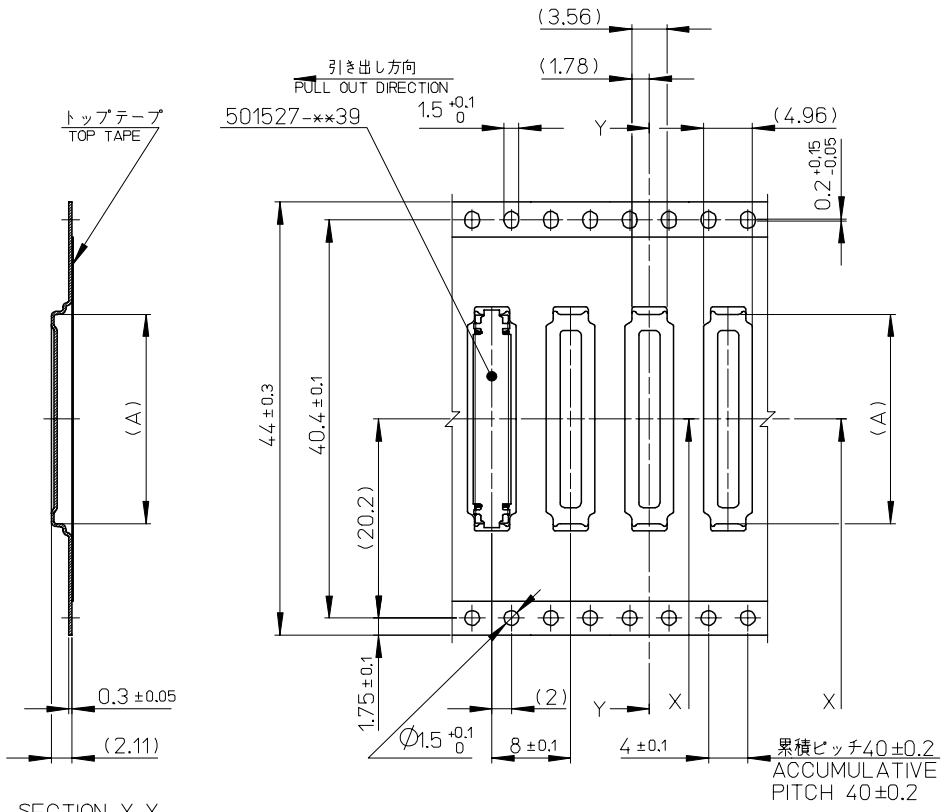
SECTION X-X

24mm 幅キャリアテープ  
24mm WIDTH CARRIER TAPE

24	25.5	13.26	501527-0530	50	
		11.26	501527-0430	40	
		10.06	501527-3430	34	
		9.66	501527-3230	32	
		9.26	501527-0330	30	
キャリアテープ幅 CARRIER TAPE WIDTH		B	(A)	MATERIAL No.	CKT.
				MODEL No.	501527-**30

REVISED EC NO: J2007-3237 DRWNG: SAITO01 2007/08/01 CHKDK: TOYODA 2007/08/02 APPR: NUKITA 2007/08/02	DESCRIPTION	GENERAL TOLERANCES (UNLESS SPECIFIED)		DIMENSION STYLE	SCALE	DESIGN UNITS	THIRD ANGLE PROJECTION	
				MM ONLY	---	METRIC	☉ □	
		10 UNDER	±---	DRAWN BY	DATE	TITLE		
		10 OVER 30 UNDER	±---	RTAKEUCHI	2005/10/26	0.4 B-TO-B CONN. HGT=1.3 REC ASSY WITH COVER EMBSTP PKG -LEAD FREE-		
30 OVER	±---	CHECKED BY	DATE	MOLEX INCORPORATED			SHEET NO. 3 OF 4	
ANGULAR	±---	THIRATA	2005/10/26	MATERIAL No.				
DRAFT WHERE APPLICABLE MUST REMAIN WITHIN DIMENSIONS		SEE CHART		DOCUMENT NO.		SD-501527-002		
		SIZE A3		THIS DRAWING CONTAINS INFORMATION THAT IS PROPRIETARY TO MOLEX INCORPORATED AND SHOULD NOT BE USED WITHOUT WRITTEN PERMISSION				

10 9 8 7 6 5 4 3 2 1



SECTION Y-Y

SECTION X-X

44mm 幅キャリアテープ  
44mm WIDTH CARRIER TAPE

44	45.5	21.26	501527-0930	90
		19.26	501527-0830	80
キャリアテープ幅 CARRIER TAPE WIDTH	B	(A)	MATERIAL No.	CKT.
			MODEL No.	501527-**-30

REVISED EC NO: J2007-3237 DRWNG: SAITO01 2007/08/01 CHKDK: TOYODA 2007/08/02 APPR: NUKITA 2007/08/02	GENERAL TOLERANCES (UNLESS SPECIFIED)	DIMENSION STYLE MM ONLY	SCALE ---	DESIGN UNITS METRIC	THIRD ANGLE PROJECTION
	10 UNDER ± ---	DRAWN BY RTAKEUCHI	DATE 2005/10/26	TITLE 0.4 B-TO-B CONN. HGT=1.3 REC ASSY WITH COVER EMBSTP PKG -LEAD FREE-	
	10 OVER 30 UNDER ± ---	CHECKED BY THIRATA	DATE 2005/10/26	MOLEX INCORPORATED	
	30 OVER ± ---	APPROVED BY MSASAO	DATE 2005/10/26	DOCUMENT NO. SD-501527-002	SHEET NO. 4 OF 4
ANGULAR ± --- °	DRAFT WHERE APPLICABLE MUST REMAIN WITHIN DIMENSIONS		SEE CHART		
	THIS DRAWING CONTAINS INFORMATION THAT IS PROPRIETARY TO MOLEX INCORPORATED AND SHOULD NOT BE USED WITHOUT WRITTEN PERMISSION				