



# Am27C4096

4 Megabit (262,144 x 16-Bit) CMOS EPROM

Advanced  
Micro  
Devices

## DISTINCTIVE CHARACTERISTICS

- Fast access time
  - 90 ns
- Low power consumption
  - 100  $\mu$ A maximum CMOS standby current
- JEDEC-approved pinout
  - Plug in upgrade of 1 Mbit and 2 Mbit EPROMs
  - 40-pin DIP/PDIP
  - 44-pin LCC/PLCC
- Single + 5 V power supply
- $\pm 10\%$  power supply tolerance standard on most speeds
- 100% Flashrite™ programming
  - Typical programming time of 32 seconds
- Latch-up protected to 100 mA from  $-1$  V to  $V_{CC} + 1$  V
- High noise immunity

## GENERAL DESCRIPTION

The Am27C4096 is a 4 Mbit ultraviolet erasable programmable read-only memory. It is organized as 256K words by 16 bits per word, operates from a single +5 V supply, has a static standby mode, and features fast single address location programming. The Am27C4096 is ideal for use in 16-bit microprocessor systems. Products are available in windowed ceramic DIP and LCC packages as well as plastic one time programmable (OTP) PDIP and PLCC packages.

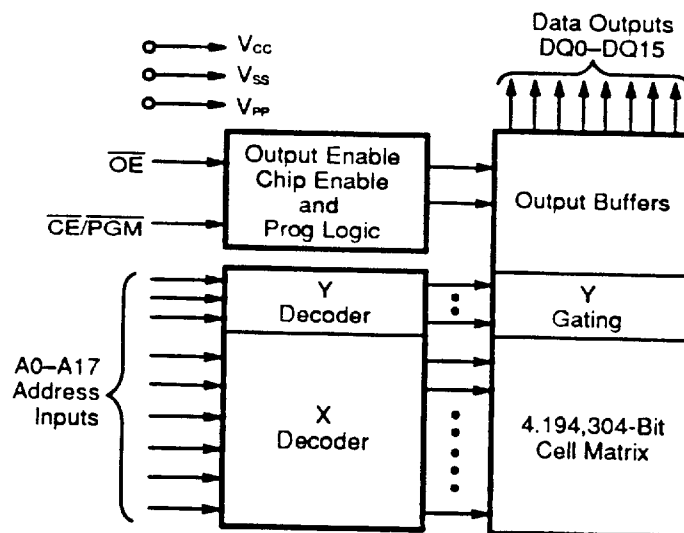
Typically, any byte can be accessed in less than 90 ns, allowing operation with high-performance microprocessors without any WAIT states. The Am27C4096 offers separate Output Enable ( $\overline{OE}$ ) and Chip Enable ( $\overline{CE}$ )

controls, thus eliminating bus contention in a multiple bus microprocessor system.

AMD's CMOS process technology provides high speed, low power, and high noise immunity. Typical power consumption is only 125 mW in active mode, and 125  $\mu$ W in standby mode.

All signals are TTL levels, including programming signals. Bit locations may be programmed singly, in blocks, or at random. The Am27C4096 supports AMD's Flashrite programming algorithm (100  $\mu$ s pulses) resulting in typical programming times of 32 seconds.

## BLOCK DIAGRAM



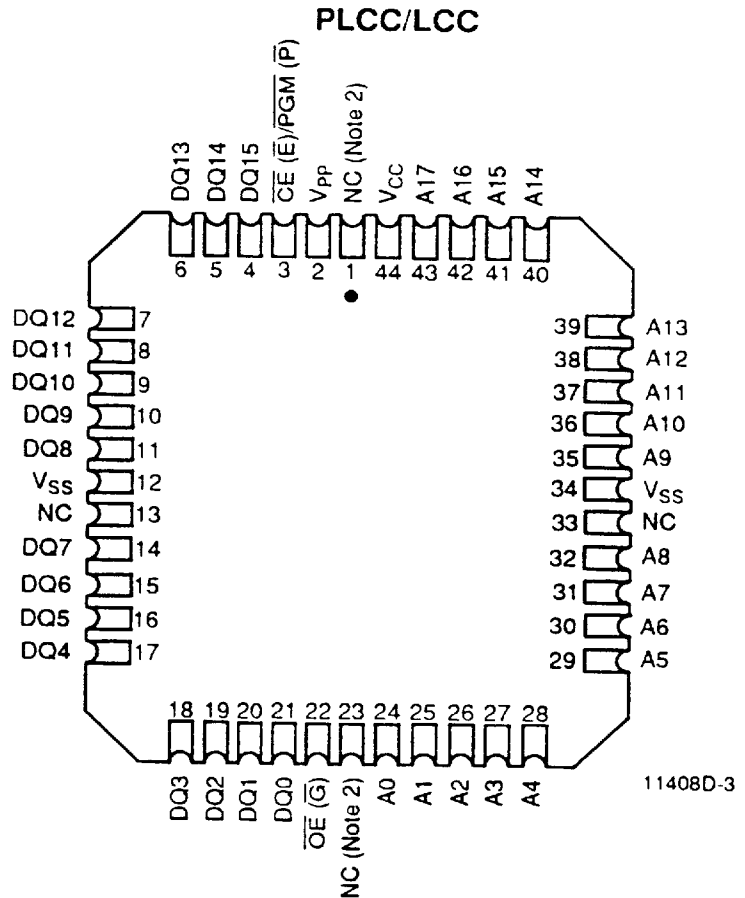
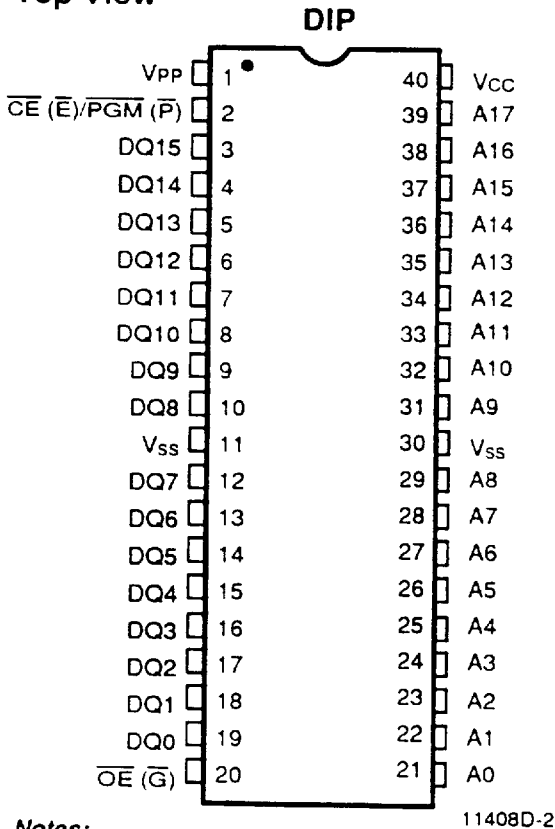
Publication# 11408 Rev. D Amendment 0  
Issue Date: July 1994

PRODUCT SELECTOR GUIDE

Family Part No.	Am27C4096					
Ordering Part No:						
V <sub>cc</sub> ± 5%	-95	-105				
V <sub>cc</sub> ± 10%		-100	-120	-150	-200	-250
Max Access Time (ns)	90	100	120	150	200	250
$\overline{CE}$ ( $\overline{E}$ ) Access Time (ns)	90	100	120	150	200	250
$\overline{OE}$ ( $\overline{G}$ ) Access Time (ns)	50	50	50	65	75	100

CONNECTION DIAGRAMS

Top View



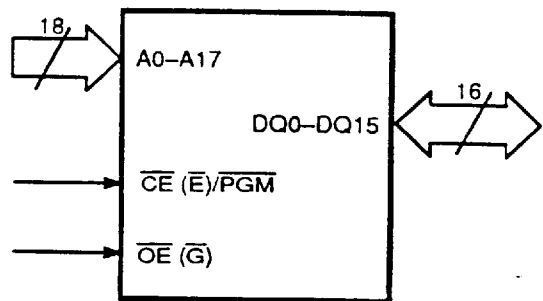
Notes:

1. JEDEC nomenclature is in parentheses.
2. Don't use (DU) for PLCC.

PIN DESIGNATIONS

- A0–A17 = Address Inputs
- $\overline{CE}$  ( $\overline{B}$ )/PGM ( $\overline{P}$ ) = Chip Enable Input
- DQ0–DQ15 = Data Input/Outputs
- DU = No External Connection
- NC = No Internal Connection
- $\overline{OE}$  ( $\overline{G}$ ) = Output Enable Input
- V<sub>cc</sub> = V<sub>cc</sub> Voltage Input
- V<sub>PP</sub> = Program Voltage Input
- V<sub>SS</sub> = Ground

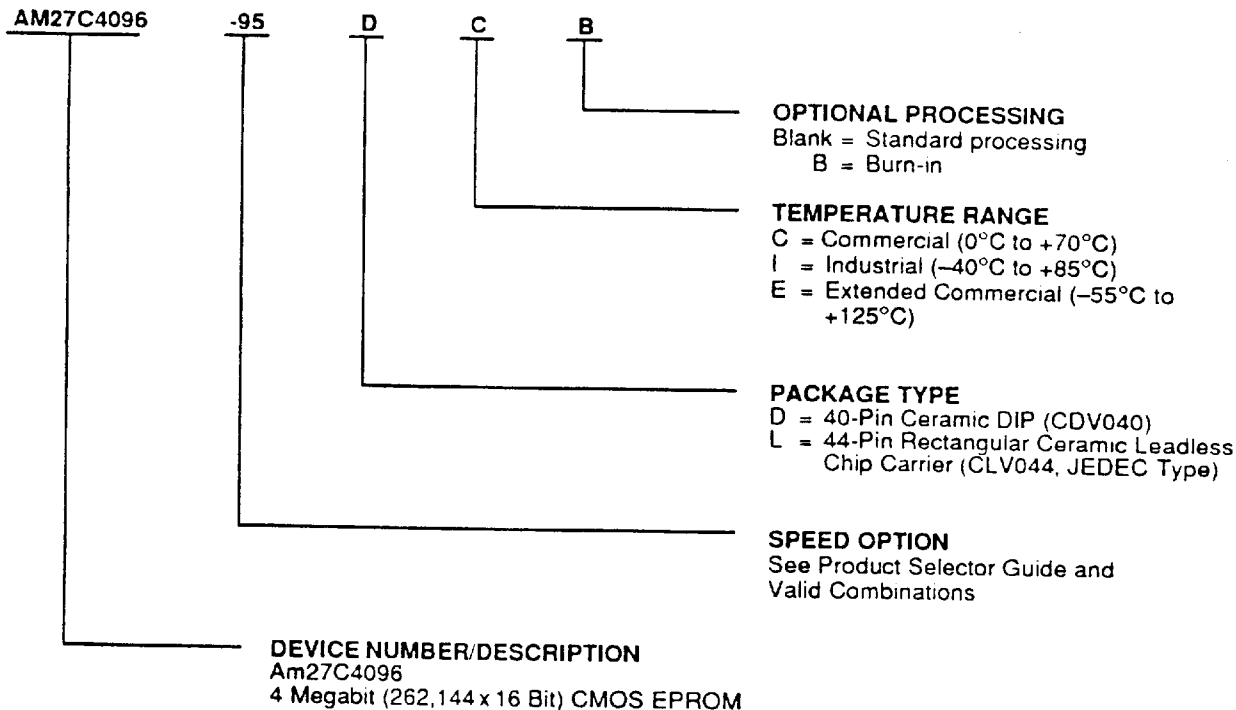
LOGIC SYMBOL



# ORDERING INFORMATION

## EPROM Products

AMD standard products are available in several packages and operating ranges. The order number (Valid Combination) is formed by a combination of:



Valid Combinations	
AM27C4096-95	DC, DCB
AM27C4096-100	DC, DCB, DI, DIB
AM27C4096-105	
AM27C4096-120	DC, DCB, DE, DEB, DI, DIB, LC, LCB, LI, LIB, LE, LEB
AM27C4096-150	
AM27C4096-200	

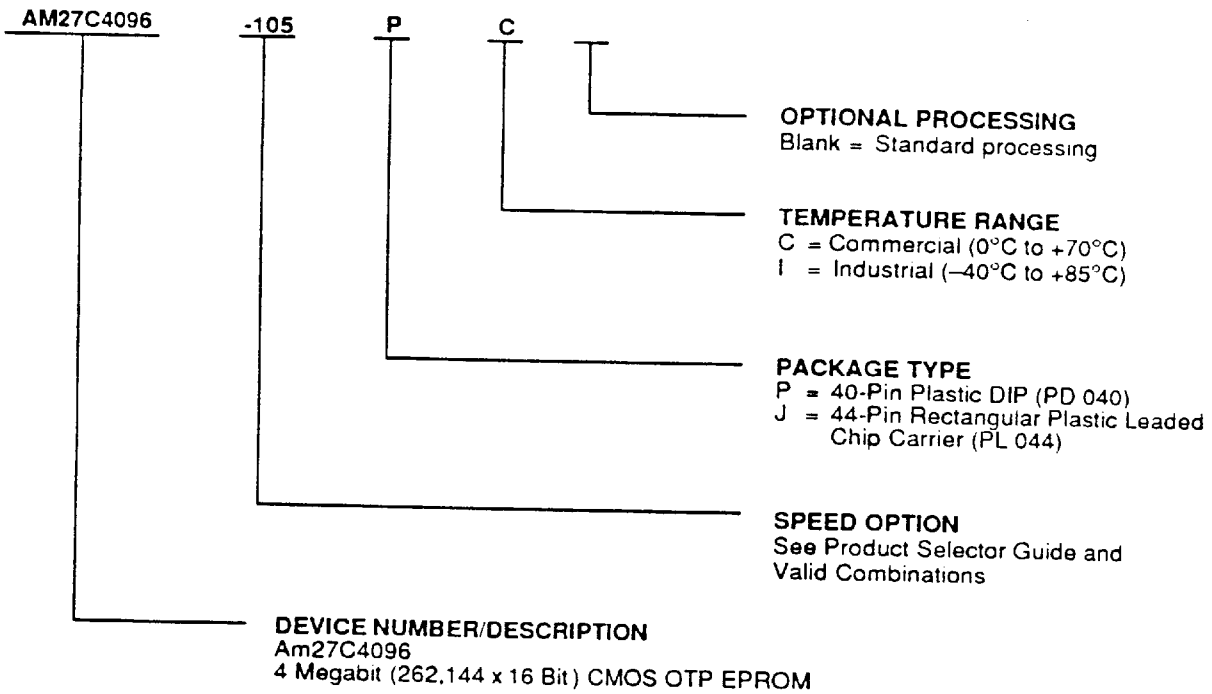
**Valid Combinations**

Valid Combinations list configurations planned to be supported in volume for this device. Consult the local AMD sales office to confirm availability of specific valid combinations and to check on newly released combinations.

**ORDERING INFORMATION**

**OTP Products**

AMD standard products are available in several packages and operating ranges. The order number (Valid Combination) is formed by a combination of:



Valid Combinations	
AM27C4096-105	PC, JC
AM27C4096-120	PC, JC, PI, JI
AM27C4096-150	
AM27C4096-200	

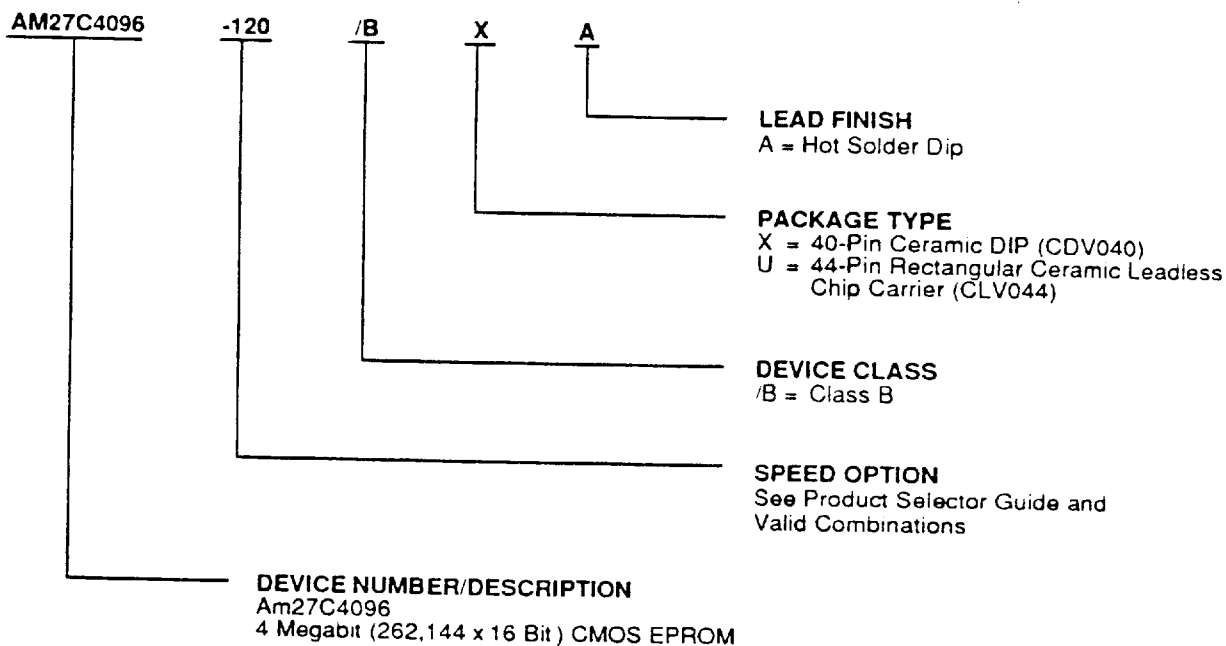
**Valid Combinations**

Valid Combinations list configurations planned to be supported in volume for this device. Consult the local AMD sales office to confirm availability of specific valid combinations and to check on newly released combinations.

# MILITARY ORDERING INFORMATION

## Military APL Products

AMD products for Aerospace and Defense applications are available in several packages and operating ranges. APL (Approved Products List) products are fully compliant with MIL-STD-883 requirements. The order number (Valid Combination) is formed by a combination of:



Valid Combinations	
AM27C4096-120	.BXA, .BUA
AM27C4096-150	
AM27C4096-200	
AM27C4096-250	

### Valid Combinations

Valid Combinations list configurations planned to be supported in volume for this device. Consult the local AMD sales office to confirm availability of specific valid combinations and to check on newly released combinations.

### Group A Tests

Group A tests consist of Subgroups 1, 2, 3, 7, 8, 9, 10, 11.

## FUNCTIONAL DESCRIPTION

### Erasing The Am27C4096

In order to clear all locations of their programmed contents, it is necessary to expose the Am27C4096 to an ultraviolet light source. A dosage of 15 W seconds/cm<sup>2</sup> is required to completely erase an Am27C4096. This dosage can be obtained by exposure to an ultraviolet lamp—wavelength of 2537 Å—with intensity of 12,000 μW/cm<sup>2</sup> for 15 to 20 minutes. The Am27C4096 should be directly under and about one inch from the source and all filters should be removed from the UV light source prior to erasure.

It is important to note that the Am27C4096 and similar devices will erase with light sources having wavelengths shorter than 4000 Å. Although erasure times will be much longer than with UV sources at 2537 Å, exposure to fluorescent light and sunlight will eventually erase the Am27C4096 and exposure to them should be prevented to realize maximum system reliability. If used in such an environment, the package window should be covered by an opaque label or substance.

### Programming the Am27C4096

Upon delivery or after each erasure the Am27C4096 has all 4,194,304 bits in the "ONE" or HIGH state. "ZEROS" are loaded into the Am27C4096 through the procedure of programming.

The programming mode is entered when 12.75 V ± 0.25 V is applied to the V<sub>PP</sub> pin,  $\overline{CE}/\overline{PGM}$  is at V<sub>IL</sub> and  $\overline{OE}$  is at V<sub>IH</sub>.

For programming, the data to be programmed is applied 16 bits in parallel to the data output pins.

The Flashrite algorithm reduces programming time by using 100 μs programming pulses and by giving each address only as many pulses as are necessary in order to reliably program the data. After each pulse is applied to a given address, the data in that address is verified. If the data does not verify, additional pulses are given until it verifies or the maximum is reached. This process is repeated while sequencing through each address of the Am27C4096. This part of the algorithm is done at V<sub>CC</sub> = 6.25 V to assure that each EPROM bit is programmed to a sufficiently high threshold voltage. After the final address is completed, the entire EPROM memory is verified at V<sub>CC</sub> = V<sub>PP</sub> = 5.25 V.

Please refer to Section 6 for programming flow chart and characteristics

### Program Inhibit

Programming of multiple Am27C4096 in parallel with different data is also easily accomplished. Except for  $\overline{CE}/\overline{PGM}$ , all like inputs of the parallel Am27C4096 may be common. A TTL low-level program pulse applied to an Am27C4096  $\overline{CE}/\overline{PGM}$  input with V<sub>PP</sub> = 12.75 V ±

0.25 V and  $\overline{OE}$  HIGH will program that Am27C4096. A high-level  $\overline{CE}/\overline{PGM}$  input inhibits the other Am27C4096 devices from being programmed.

### Program Verify

A verify should be performed on the programmed bits to determine that they were correctly programmed. The verify should be performed with  $\overline{OE}$  at V<sub>IL</sub>,  $\overline{CE}/\overline{PGM}$  at V<sub>IH</sub>, and V<sub>PP</sub> between 12.5 V and 13.0 V.

### Auto Select Mode

The auto select mode allows the reading out of a binary code from an EPROM that will identify its manufacturer and type. This mode is intended for use by programming equipment for the purpose of automatically matching the device to be programmed with its corresponding programming algorithm. This mode is functional in the 25°C ± 5°C ambient temperature range that is required when programming the Am27C4096.

To activate this mode, the programming equipment must force 12.0 V ± 0.5 V on address line A9 of the Am27C4096. Two identifier bytes may then be sequenced from the device outputs by toggling address line A0 from V<sub>IL</sub> to V<sub>IH</sub>. All other address lines must be held at V<sub>IL</sub> during auto select mode.

Byte 0 (A0 = V<sub>IL</sub>) represents the manufacturer code, and byte 1 (A0 = V<sub>IH</sub>), the device identifier code. For the Am27C4096, these two identifier bytes are given in the Mode Select Table. All identifiers for manufacturer and device codes will possess odd parity, with the MSB (DQ7) defined as the parity bit.

### Read Mode

The Am27C4096 has two control functions, both of which must be logically satisfied in order to obtain data at the outputs. Chip Enable ( $\overline{CE}/\overline{PGM}$ ) is the power control and should be used for device selection. Output Enable ( $\overline{OE}$ ) is the output control and should be used to gate data to the output pins, independent of device selection. Assuming that addresses are stable, address access time (t<sub>acc</sub>) is equal to the delay from  $\overline{CE}/\overline{PGM}$  to output (t<sub>ce</sub>). Data is available at the outputs t<sub>oe</sub> after the falling edge of  $\overline{OE}$ , assuming that  $\overline{CE}/\overline{PGM}$  has been LOW and addresses have been stable for at least t<sub>acc</sub> - t<sub>oe</sub>.

### Standby Mode

The Am27C4096 has a CMOS standby mode which reduces the maximum V<sub>CC</sub> current to 100 μA. It is placed in CMOS-standby when  $\overline{CE}/\overline{PGM}$  is at V<sub>CC</sub> ± 0.3 V. The Am27C4096 also has a TTL-standby mode which reduces the maximum V<sub>CC</sub> current to 1.0 mA. It is placed in TTL-standby when  $\overline{CE}/\overline{PGM}$  is at V<sub>IH</sub>. When in standby mode, the outputs are in a high-impedance state, independent of the  $\overline{OE}$  input.

## Output OR-Tieing

To accommodate multiple memory connections, a two-line control function is provided to allow for:

- Low memory power dissipation
- Assurance that output bus contention will not occur

It is recommended that  $\overline{CE}/\overline{PGM}$  be decoded and used as the primary device-selecting function, while  $\overline{OE}$  be made a common connection to all devices in the array and connected to the READ line from the system control bus. This assures that all deselected memory devices are in low-power standby mode and that the output pins are only active when data is desired from a particular memory device.

## System Applications

During the switch between active and standby conditions, transient current peaks are produced on the rising and falling edges of Chip Enable. The magnitude of these transient current peaks is dependent on the output capacitance loading of the device. At a minimum, a 0.1- $\mu$ F ceramic capacitor (high frequency, low inherent inductance) should be used on each device between  $V_{CC}$  and  $V_{SS}$  to minimize transient effects. In addition, to overcome the voltage drop caused by the inductive effects of the printed circuit board traces on EPROM arrays, a 4.7- $\mu$ F bulk electrolytic capacitor should be used between  $V_{CC}$  and  $V_{SS}$  for each eight devices. The location of the capacitor should be close to where the power supply is connected to the array.

## MODE SELECT TABLE

Mode		Pins		A0	A9	V <sub>PP</sub>	Outputs
		$\overline{CE}/\overline{PGM}$	$\overline{OE}$				
Read		V <sub>IL</sub>	V <sub>IL</sub>	X	X	X	D <sub>OUT</sub>
Output Disable		V <sub>IL</sub>	V <sub>IH</sub>	X	X	X	Hi-Z
Standby (TTL)		V <sub>IH</sub>	X	X	X	X	Hi-Z
Standby (CMOS)		V <sub>CC</sub> ± 0.3 V	X	X	X	X	Hi-Z
Program		V <sub>IL</sub>	V <sub>IH</sub>	X	X	V <sub>PP</sub>	D <sub>IN</sub>
Program Verify		V <sub>IH</sub>	V <sub>IL</sub>	X	X	V <sub>PP</sub>	D <sub>OUT</sub>
Program Inhibit		V <sub>IH</sub>	V <sub>IH</sub>	X	X	V <sub>PP</sub>	Hi-Z
Auto Select (Note 3)	Manufacturer Code	V <sub>IL</sub>	V <sub>IL</sub>	V <sub>IH</sub>	V <sub>H</sub>	X	O1H
	Device Code	V <sub>IL</sub>	V <sub>IL</sub>	V <sub>IH</sub>	V <sub>H</sub>	X	19H

### Notes:

1. X = Either V<sub>IH</sub> or V<sub>IL</sub>
2. V<sub>H</sub> = 12.0 V ± 0.5 V
3. A1-A8 = A10-A17 = V<sub>IL</sub>
4. See DC Programming Characteristics for V<sub>PP</sub> voltage during programming.

**ABSOLUTE MAXIMUM RATINGS**

Storage Temperature:	
OTP Products	-65°C to +125°C
All Other Products	-65°C to +150°C
Ambient Temperature	
with Power Applied	-55°C to +125°C
Voltage with Respect to V <sub>SS</sub> :	
All pins except A9, V <sub>PP</sub> , and V <sub>CC</sub> (Note 1)	-0.6 V to V <sub>CC</sub> + 0.6 V
A9 and V <sub>PP</sub> (Note 2)	-0.6 V to 13.5 V
V <sub>CC</sub>	-0.6 V to 7.0 V

**Notes:**

1. During transitions, the inputs may overshoot V<sub>SS</sub> to -2.0 V for periods of up to 20 ns. Maximum DC voltage on input and I/O may overshoot to V<sub>CC</sub> + 2.0 V for periods of up to 20 ns.
2. During transitions, A9 and V<sub>PP</sub> may overshoot V<sub>SS</sub> to -2.0 V for periods of up to 20 ns. A9 and V<sub>PP</sub> must not exceed 13.5 V for any period of time.

Stresses above those listed under Absolute Maximum Ratings may cause permanent device failure. Functionality at or above these limits is not implied. Exposure to absolute maximum ratings for extended periods may affect device reliability.

**OPERATING RANGES****Commercial (C) Devices**

Case Temperature (T<sub>C</sub>) ..... 0°C to +70°C

**Industrial (I) Devices**

Case Temperature (T<sub>C</sub>) ..... -40°C to +85°C

**Extended Commercial (E) Devices**

Case Temperature (T<sub>C</sub>) ..... -55°C to +125°C

**Military (M) Devices**

Case Temperature (T<sub>C</sub>) ..... -55°C to +125°C

## Supply Read Voltages:

V<sub>CC</sub> for Am27C4096-XX5 ..... +4.75 V to +5.25 V

V<sub>CC</sub> for Am27C4096-XX0 ..... +4.50 V to +5.50 V

Operating ranges define those limits between which the functionality of the device is guaranteed.



DC CHARACTERISTICS over operating range unless otherwise specified. (Notes 1, 2 and 4) (for APL Products, Group A, Subgroups 1, 2, 3, 6, and 7 are tested unless otherwise noted)

Parameter Symbol	Parameter Description	Test Conditions	Min	Max	Unit
V <sub>OH</sub>	Output HIGH Voltage	I <sub>OH</sub> = 400 μA	2.4		V
V <sub>OL</sub>	Output LOW Voltage	I <sub>OL</sub> = 2.1 mA		0.45	V
V <sub>IH</sub>	Input HIGH Voltage		2.0	V <sub>CC</sub> + 0.5	V
V <sub>IL</sub>	Input LOW Voltage		-0.5	+0.8	V
I <sub>LI</sub>	Input Load Current	V <sub>IN</sub> = 0 V to V <sub>CC</sub>		1.0	μA
I <sub>LO</sub>	Output Leakage Current			5.0	μA
I <sub>CC1</sub>	V <sub>CC</sub> Active Current (Note 3)	$\overline{CE} = V_{IL}, f = 5 \text{ MHz}$ OUT = 0 mA	C/I Devices	50	mA
			E/M Devices	60	
I <sub>CC2</sub>	V <sub>CC</sub> TTL Standby	$\overline{CE} = V_{IH}$		1.0	mA
I <sub>CC3</sub>	V <sub>CC</sub> CMOS Standby	$\overline{CE} = V_{CC} \pm 0.3 \text{ V}$		100	μA
I <sub>PP1</sub>	V <sub>PP</sub> Current During Read	$\overline{CE} = \overline{OE} = V_{IL}, V_{PP} = V_{CC}$		100	μA

**Notes:**

1. V<sub>CC</sub> must be simultaneously or before V<sub>PP</sub>, and removed simultaneously or after V<sub>PP</sub>.
2. Caution: The Am27C4096 must not be removed from (or inserted into) a socket when V<sub>CC</sub> or V<sub>PP</sub> is applied.
3. I<sub>CC1</sub> is tested with  $\overline{OE} = V_{IH}$  to simulate open outputs.
4. Minimum DC Input Voltage is -0.5 V during transitions, the inputs may overshoot -2.0 V for periods less than 20 ns. Maximum DC Voltage on output pins is V<sub>CC</sub> + 0.5 V, which may overshoot to V<sub>CC</sub> + 2.0 V for periods less than 20 ns.

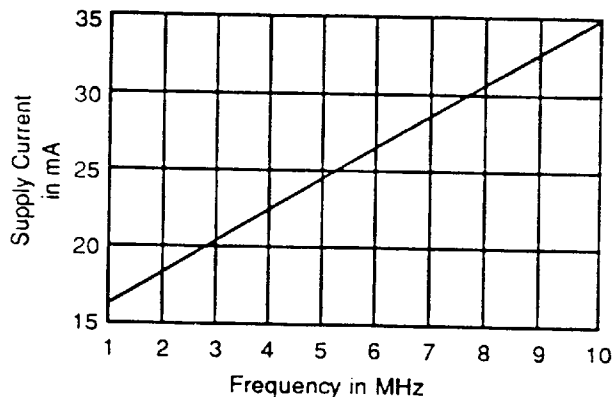


Figure 1. Typical Supply Current vs. Frequency  
V<sub>CC</sub> = 5.5 V, T = 25°C

15573B-5

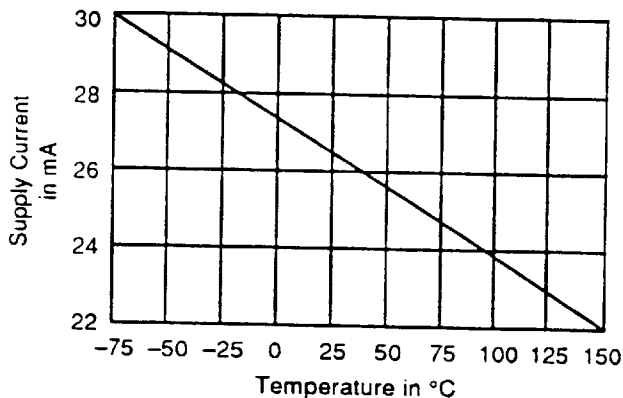


Figure 2. Typical Supply Current vs. Temperature  
V<sub>CC</sub> = 5.5 V, f = 5 MHz

15573B-6

## CAPACITANCE

Parameter Symbol	Parameter Description	Test Conditions	CDV040		CLV044		PD040		PL044		Unit
			Typ	Max	Typ	Max	Typ	Max	Typ	Max	
C <sub>IN</sub>	Input Capacitance	V <sub>IN</sub> = 0 V	10	13	10	13	6	8	10	13	pF
C <sub>OUT</sub>	Output Capacitance	V <sub>OUT</sub> = 0 V	10	13	13	15	8	10	12	14	pF

**Notes:**

1. This parameter is only sampled and not 100% tested.

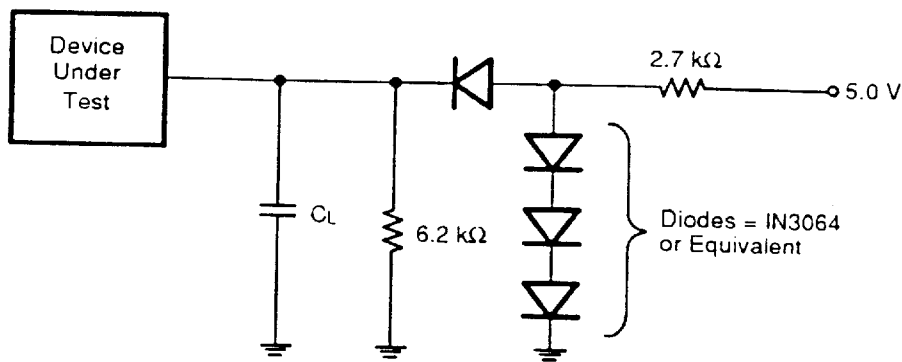
Switching CHARACTERISTICS over operating range unless otherwise specified. (Notes 1, 3 and 4) (for APL Products, Group A, Subgroups 9, 10 and 11 are tested unless otherwise noted)

Parameter Symbols		Parameter Description	Test Conditions	Am27C4096						Unit	
JEDEC	Standard			-95	-105	-120	-150	-200	-255, -250		
A <sub>VOV</sub>	t <sub>ACC</sub>	Address to Output Delay	$\overline{CE} = \overline{OE}$ = V <sub>IL</sub>	Min	-	-	-	-	-	-	ns
				Max	90	100	120	150	200	250	
t <sub>ELOV</sub>	t <sub>CE</sub>	Chip Enable to Output Delay	$\overline{OE} = V_{IL}$	Min	-	-	-	-	-	-	ns
				Max	90	100	120	150	200	250	
t <sub>GLOV</sub>	t <sub>OE</sub>	Output Enable to Output Delay	$\overline{CE} = V_{IL}$	Min	-	-	-	-	-	-	ns
				Max	50	50	50	55	60	60	
t <sub>EH0Z</sub> , t <sub>GH0Z</sub>	t <sub>DF</sub> (Note 2)	Chip Enable HIGH or Output Enable HIGH, whichever comes first, to Output Float		Min	-	-	-	-	-	-	ns
				Max	30	30	40	40	40	60	
t <sub>AX0X</sub>	t <sub>OH</sub>	Output Hold from Addresses, CE, or OE, whichever occurred first		Min	0	0	0	0	0	0	ns
				Max	-	-	-	-	-	-	

**Notes:**

1. V<sub>CC</sub> must be applied simultaneously or before V<sub>PP</sub>, and removed simultaneously or after V<sub>PP</sub>.
2. This parameter is only sampled and not 100% tested.
3. **Caution:** The Am27C4096 must not be removed from (or inserted into) a socket or board when V<sub>PP</sub> or V<sub>CC</sub> is applied.
4. Output Load: 1 TTL gate and C<sub>L</sub> = 100 pF  
Input Rise and Fall Times: 20 ns  
Input Pulse Levels: 0.45 V to 2.4 V  
Timing Measurement Reference Level — Inputs: 0.8 V to 2.0 V  
Outputs: 0.8 V to 2.0 V

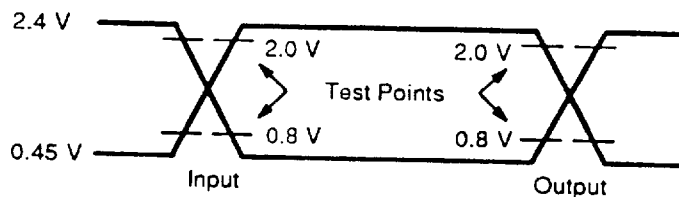
### SWITCHING TEST CIRCUIT



11408D-7

$C_L = 100 \text{ pF}$  including jig capacitance

### SWITCHING TEST WAVEFORM



11408D-8

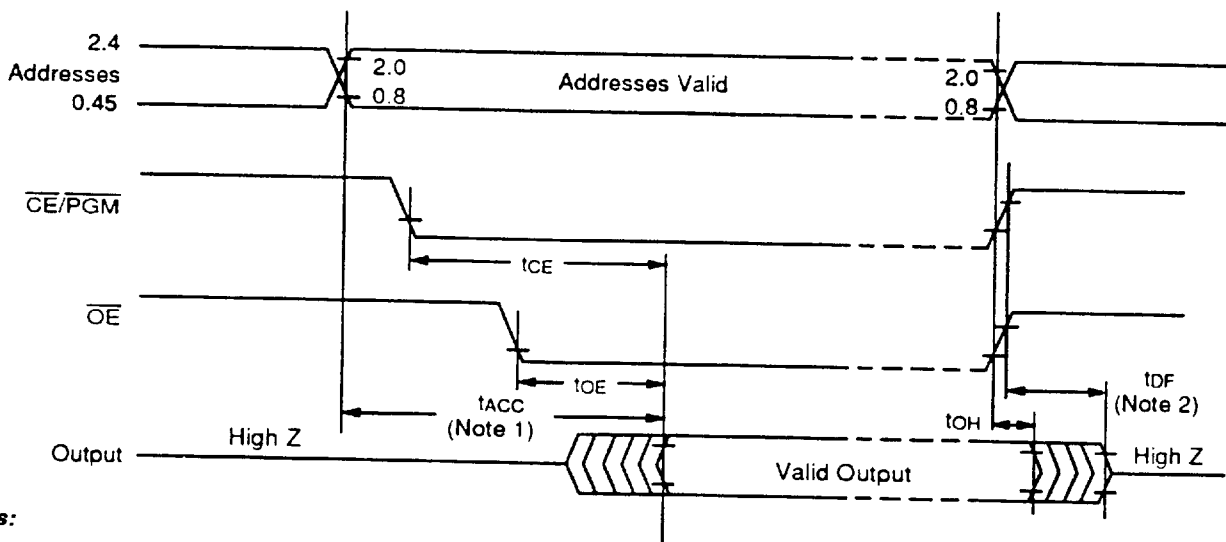
AC Testing: Inputs are driven at 2.4 V for a Logic "1" and 0.45 V for a Logic "0". Input pulse rise and fall times are  $\leq 20 \text{ ns}$ .

# KEY TO SWITCHING WAVEFORMS

WAVEFORM	INPUTS	OUTPUTS
	Must be Steady	Will be Steady
	May Change from H to L	Will be Changing from H to L
	May Change from L to H	Will be Changing from L to H
	Don't Care, Any Change Permitted	Changing, State Unknown
	Does Not Apply	Center Line is High-Impedance "Off" State

KS000010

## SWITCHING WAVEFORM



**Notes:**

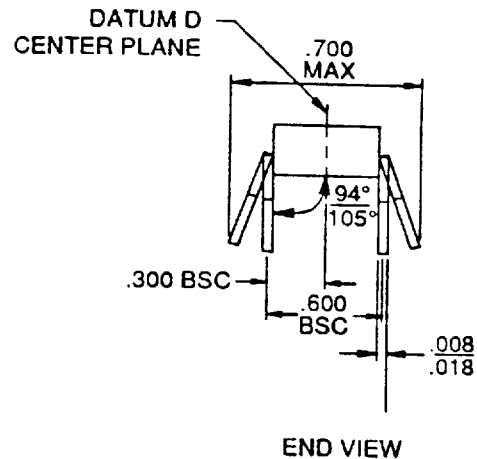
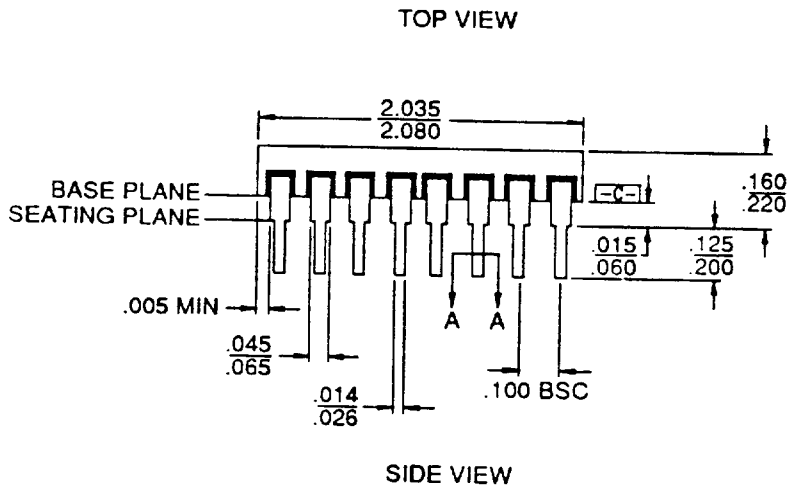
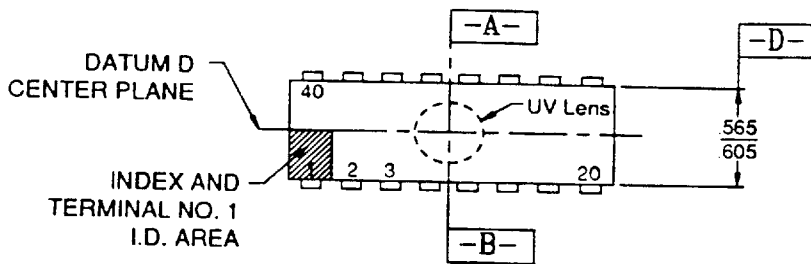
- $\overline{OE}$  may be delayed up to  $t_{ACC} - t_{OE}$  after the falling edge of the addresses without impact on  $t_{ACC}$ .
- $t_{DF}$  is specified from  $\overline{OE}$  or  $\overline{CE}$ , whichever occurs first.

11408D-9

PHYSICAL DIMENSIONS\*

CDV040

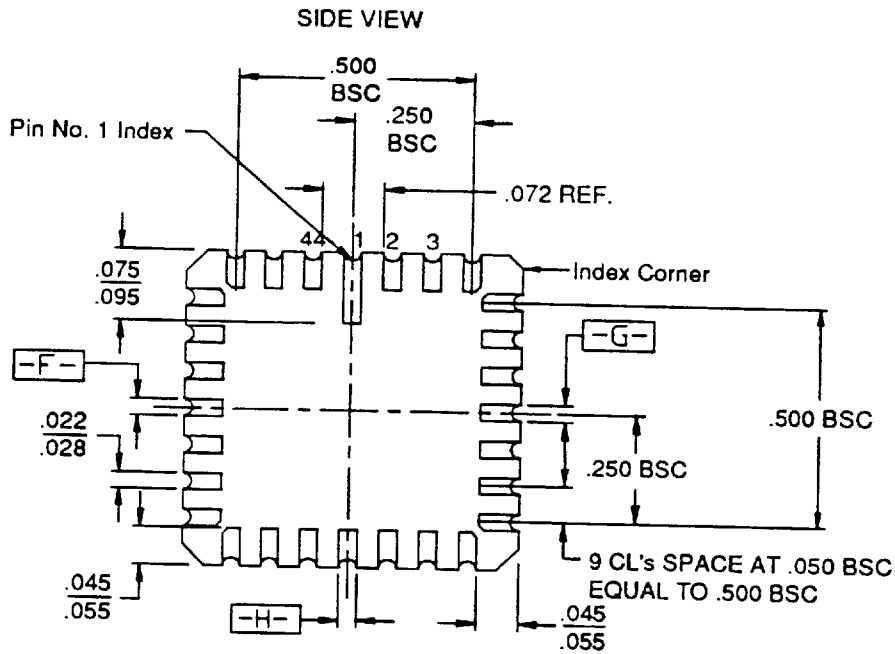
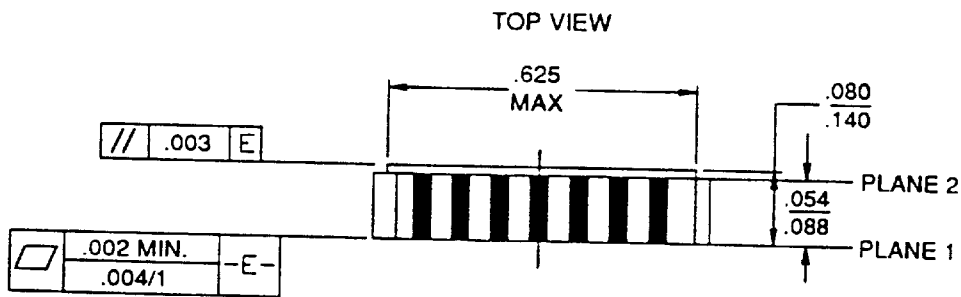
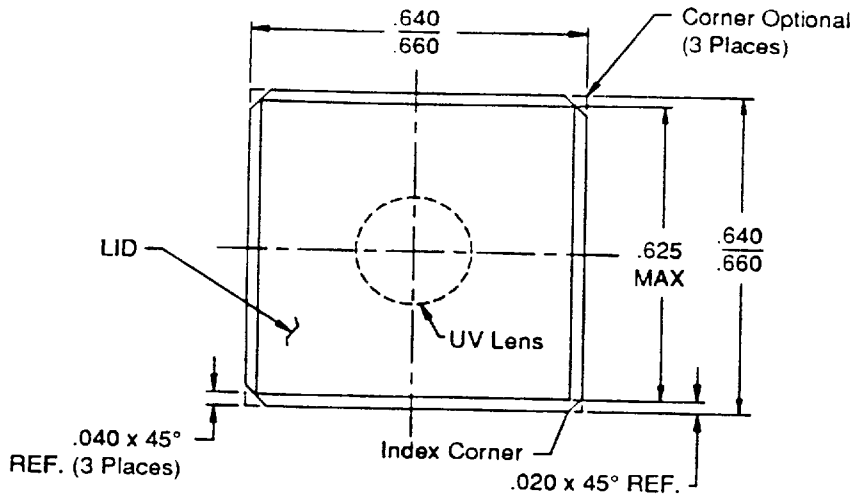
40-Pin Ceramic DIP (measured in inches)



16-000038H-3  
 CDV040  
 DB11  
 6-23-94 ae

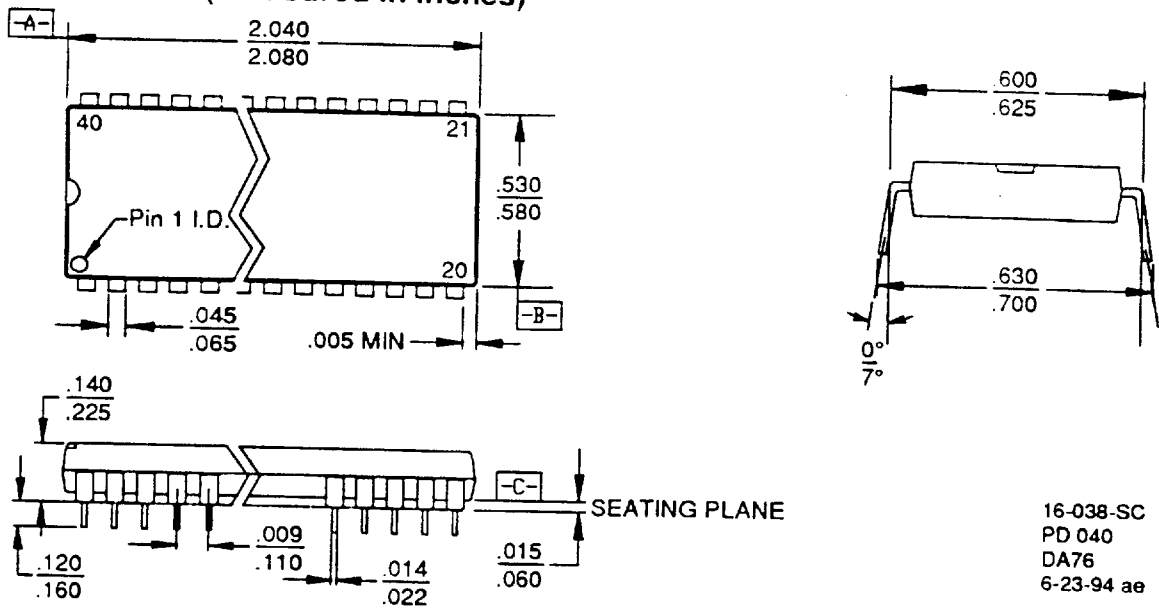
\*For reference only. BSC is an ANSI standard for Basic Space Centering.

**CLV044**  
**44-Pin Ceramic DIP (measured in inches)**



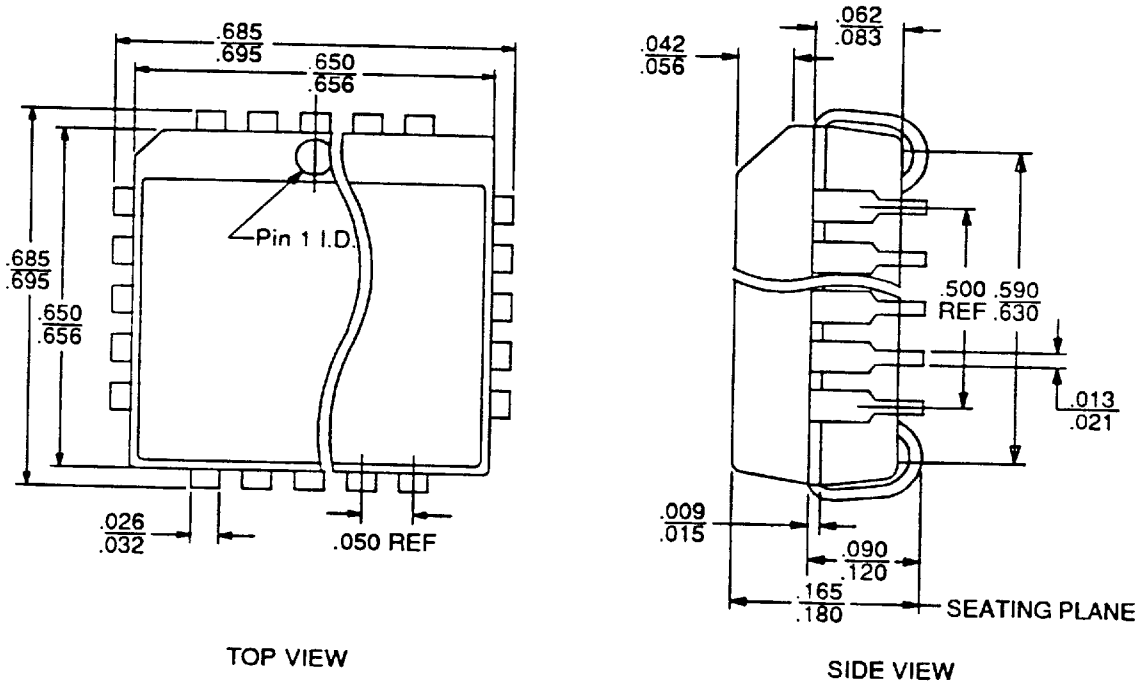
16-0000038C-5  
 CLV044  
 DA48  
 6-23-94 ae

**PD 040**  
**40-Pin Plastic DIP (measured in inches)**



16-038-SC  
 PD 040  
 DA76  
 6-23-94 ae

**PL 044**  
**44-Pin Square Plastic Leaded**  
**Chip Carrier (measured in inches)**



16-038-SQ  
 PL 044  
 DA78  
 6-17-94 ae

**Trademarks**

Copyright © 1994 Advanced Micro Devices, Inc. All rights reserved.  
 AMD, and the AMD logo are registered trademarks of Advanced Micro Devices, Inc.  
 Flashrite is a trademark of Advanced Micro Devices, Inc.  
 Product names used in this publication are for identification purposes only and may be trademarks of their respective companies.

