

LDS6023

PureTouch™ Capacitance Touch IC with Integrated Keypad LED Drivers

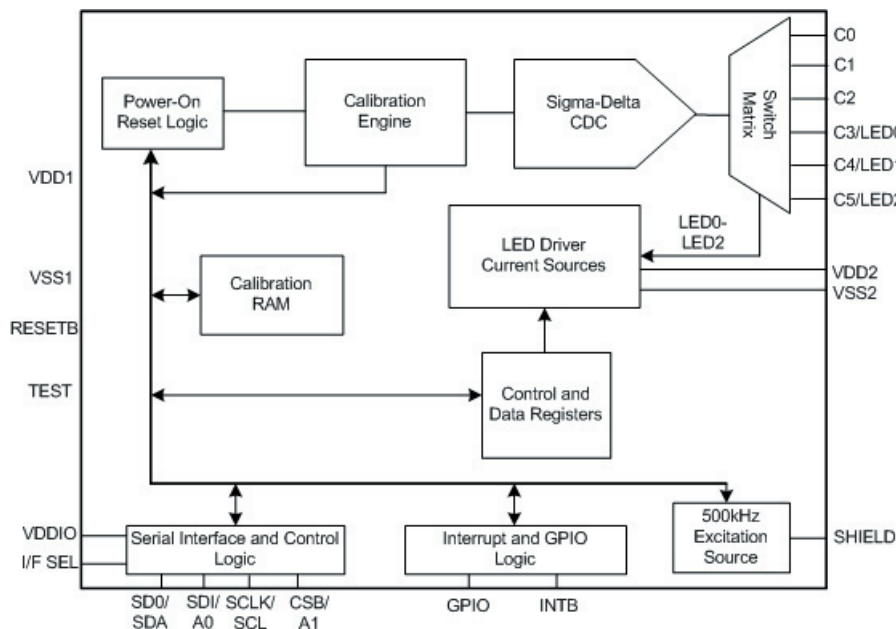
The LDS6023 is a programmable capacitance-to-digital converter (CDC) designed for use with capacitive sensor arrays implementing touch-based input controls including sliders, scroll wheels, and buttons. Featuring 6 sensor inputs, 3 of which are dual-purpose I/O's configurable as either capacitive sensor inputs or keypad LED drivers, the LDS6023 provides the flexibility to implement multiple touch inputs with integrated lighting effects using a single controller.

When configured for capacitive sensing, the I/O's are directed through an integrated switch matrix to a 500 kHz sigma-delta CDC which senses changes in the external sensor array. When a sufficiently large change in capacitance occurs, a sensor activation is registered and the host processor is notified. LED lighting effects are automatically initiated by a touch event with no processor intervention required.

On-chip calibration logic continuously monitors the environment and automatically adjusts on-and-off threshold levels to prevent false sensor activation.

The LDS6023 is offered with both SPI-compatible and I²C-compatible interfaces (active interface selected by I/F Select pin) and features a general-purpose input/output (GPIO) and interrupt output for additional communication with the host processor.

LDS6023 Block Diagram



LDS6023 Features

Versatile, Accurate Capacitance-to-Digital Converter (CDC)

- 500kHz sigma-delta CDC
- 6 capacitance sensor input channels
- 2ms update rate per active sensor

Integrated Keypad LED Drivers

- C3-C5 sensor inputs configurable as keypad LED drivers
- 7.75mA maximum driving current (up to 23mA available by connecting multiple outputs to a single LED)
- Flexible dimming control
- Processor-free synchronization with touch events

Integrated, Automatic Calibration Algorithms

- Environmental compensation
- On-chip RAM to store calibration data

Integrated Touch Preference Modes

- Strongest Single Touch
- Strongest Two Touches
- Unrestricted (All) Touches

Ultra-low Touch Sensor Power Consumption*

- Operating mode (typical): <150uW (VDD1=1.8V)
- Shutdown mode (typical): <1uW (VDD1=1.8V)

* Excludes LED driver current and I/F and voltage dependent V_{DDIO} current

Integrated Keypad LED Drivers

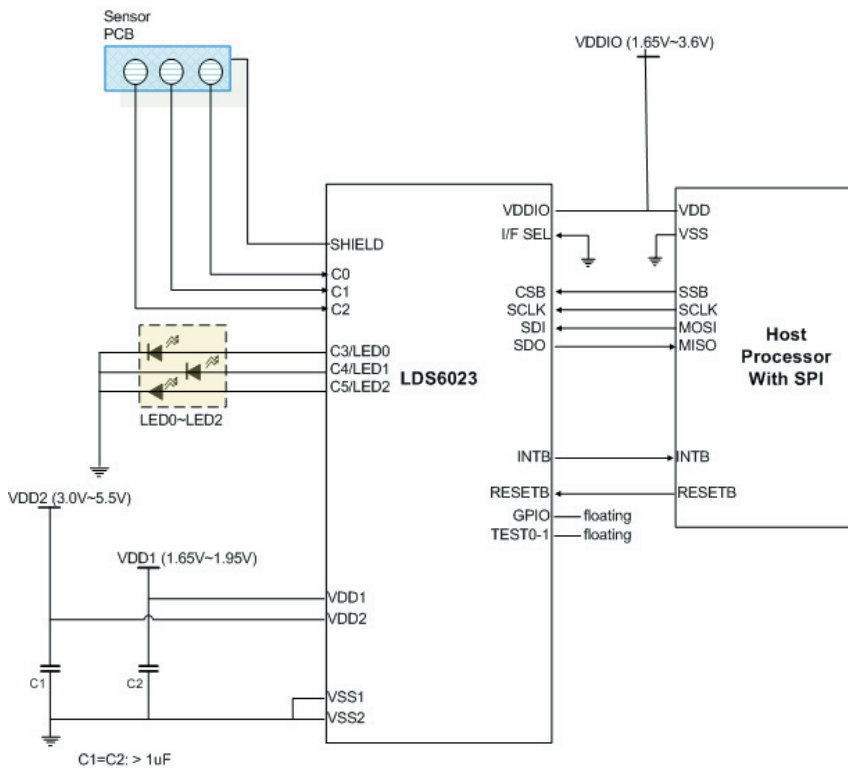
The LDS6023 features integrated keypad LED drivers enabling the implementation of visual feedback for touch-based controls and fun lighting effects. The keypad LEDs may be powered either from V_{battery} directly or from a regulated voltage supply. On/off transition times are programmed globally for all LEDs and maximum current may be programmed for each LED individually. LEDs may be either manually controlled or synchronized to automatically trigger when a touch event occurs.

Ideal Solution for Portable Applications

The LDS6023 is optimized for minimal power consumption, with touch sensor circuits operating from a 1.8v supply voltage. In full power mode, sensor conversion and calibration occur continuously, minimizing the time between touch event and touch detection. With its ultra-low touch sensor power consumption of <150uW (typical), the LDS6023 may be operated continuously in full power mode, eliminating the need for introduced latencies that can cause noticeable delays and degrade the user experience.

The total solution footprint is also optimized for portable applications, with the functionality of multiple components consolidated into a single device. With integrated keypad LED driver functionality, the LDS6023 is a flexible solution combining the functionality of two discrete ICs into a compact 4mm x 4mm TQFN package with 0.75mm package thickness (SSOP package also available).

LDS6023 Application Diagram



Flexible Interface Options

- SPI-compatible serial I/F
- I²C-compatible serial I/F
- Separate V_{DDIO} level for serial interface
- GPIO and Interrupt Output

Flexible Package Options:

- 28 pin 4mm x 4mm QFN, 0.8mm max height
- 28 pin 5.3mm x 10.2mm SSOP, 1.99mm max height

Power Supply Range:

- Touch Supply (VDD1): 1.65V - 1.95V
- LED Supply (VDD2): 3.0V - 5.5V
- V_{DDIO}=1.65V - 3.6V

Applications:

- Mobile handsets and smartphones
- Personal music and media players (MP3/MP4)
- Gaming devices
- Remote controls
- Television, A/V
- Set-top boxes
- Multi-function printers
- Enterprise telephony

Leadis Technology, Inc.

800 W. California Avenue, Suite 200
Sunnyvale, California 94086

Tel: +1.408.331.8600

Fax: +1.408.331.8601

www.leadis.com

© 2009 LEADIS Technology, Inc. All rights reserved. The LEADIS logo is a trademark of LEADIS Technology, Inc. Other product names are registered trademarks of their respective companies. Product specifications are subject to change at any time without notice. LEADIS assumes no responsibility for errors or omissions. LEADIS assumes no liability (including liability for damages) with respect to any use of or reliance on the information contained herein.