

PNP EPOXY – SWITCHING AND GENERAL PURPOSE (Cont'd.)

D

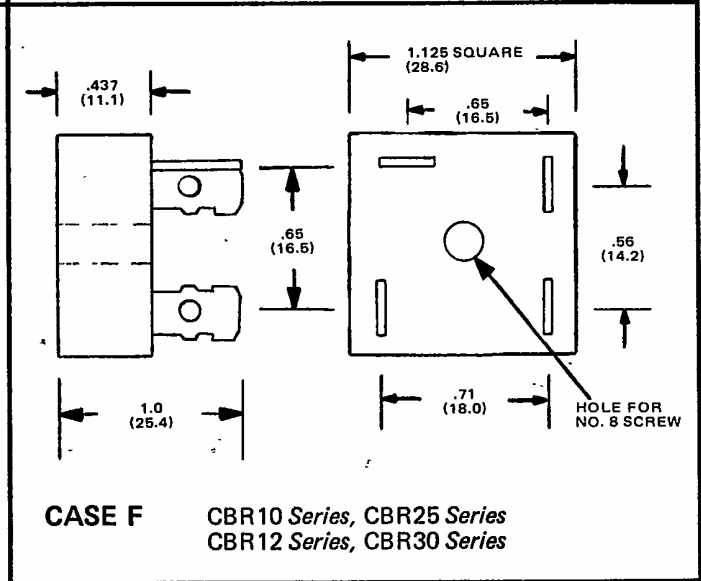
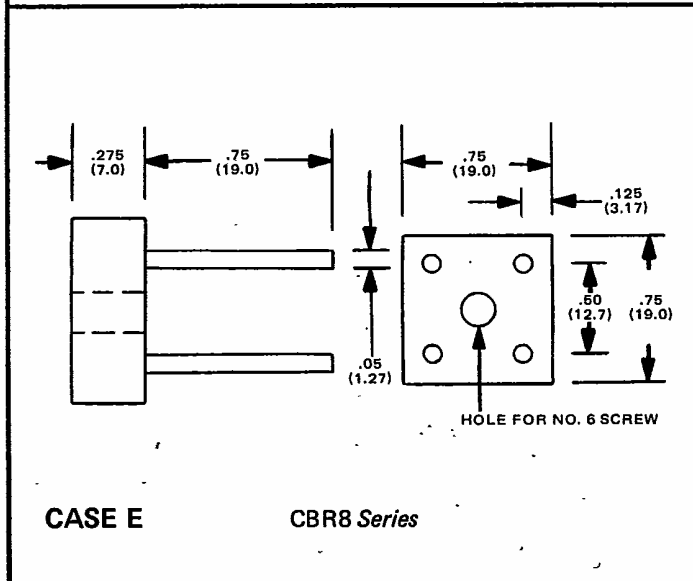
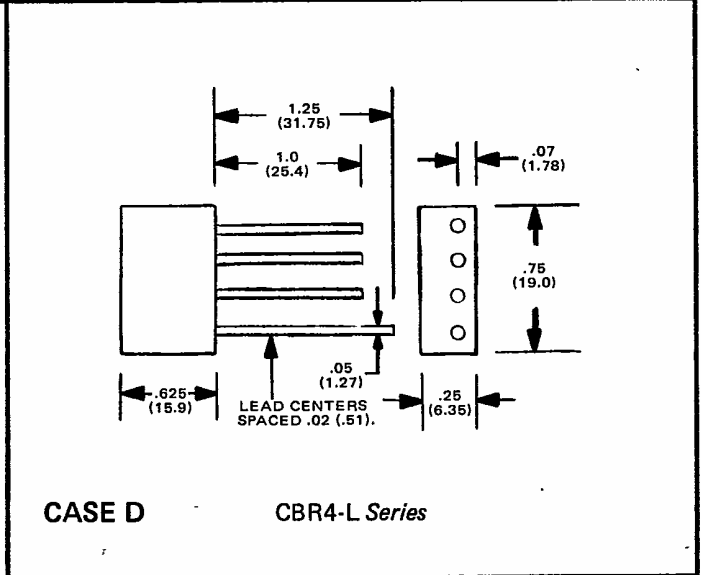
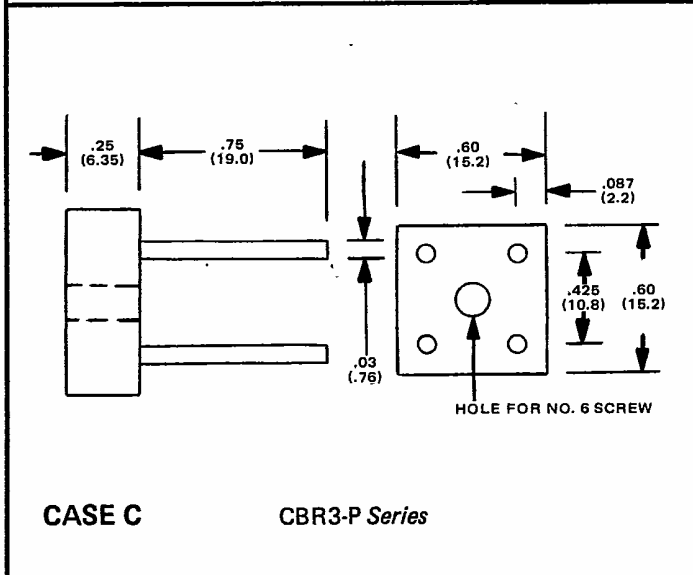
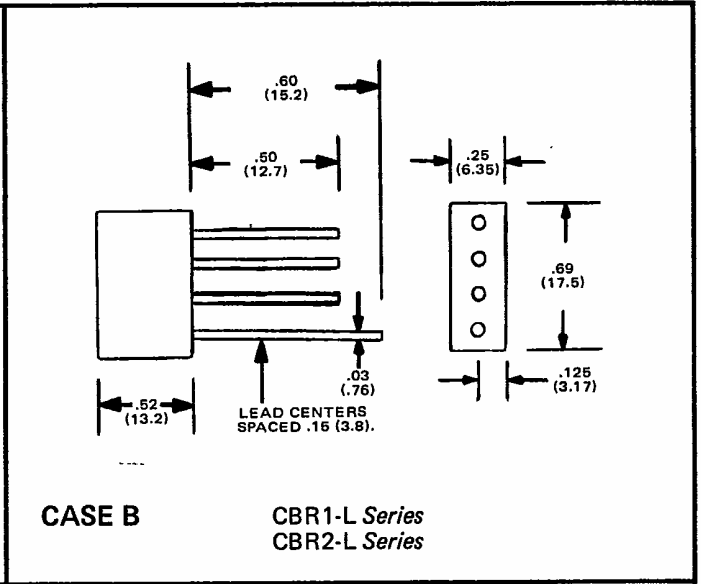
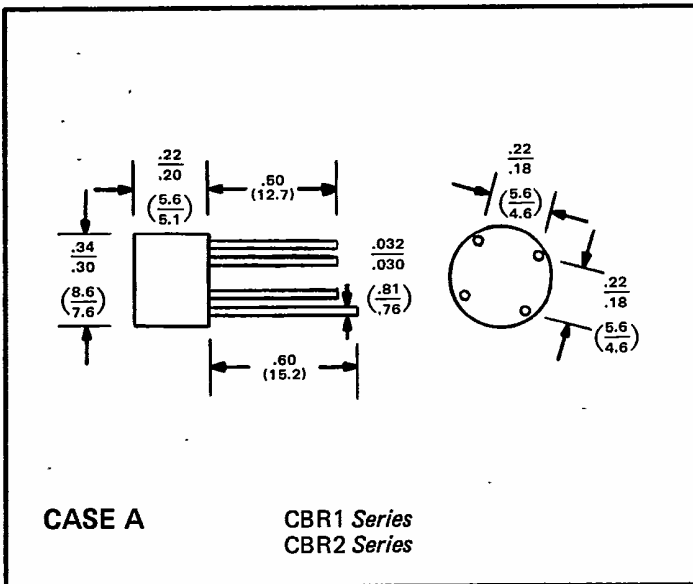
| TYPE NO. | V _{CB} | V _{CE} | V _{EB} | h _{FE} | at | I _C | V _{CE} | V _{CE(s)} at I _B | | I _C | f _T | C _{ob} | I _{CBO} at V _{CB} | CASE | |
|----------|-----------------|-----------------|-----------------|-----------------|-----|----------------|-----------------|--------------------------------------|-----|----------------|----------------|-----------------|-------------------------------------|------|--------|
| | V | V | V | min | max | mA | V | V | mA | mA | MHz | pF | μA | | V |
| 2N4060 | 30 | 30 | 6 | 45 | — | 1 | 5 | — | — | — | — | — | 0.1 | 20 | TO-98 |
| 2N4061 | 30 | 30 | 6 | 90 | — | 1 | 5 | — | — | — | — | — | 0.1 | 20 | TO-98 |
| 2N4062 | 30 | 30 | 6 | 180 | — | 1 | 5 | — | — | — | — | — | 0.1 | 20 | TO-98 |
| 2N4121 | 40 | 40 | 5 | 70 | 200 | 10 | 1 | 0.3 | 5 | 50 | 400 | 4.5 | — | — | TO-106 |
| 2N4122 | 40 | 40 | 5 | 150 | 300 | 10 | 1 | 0.4 | 5 | 50 | 450 | 4.5 | — | — | TO-106 |
| 2N4125 | 30 | 30 | 4 | 50 | 150 | 2 | 1 | 0.4 | 5 | 50 | 200 | 4.5 | .05 | 20 | TO-92 |
| 2N4126 | 25 | 25 | 4 | 120 | 360 | 2 | 1 | 0.4 | 5 | 50 | 250 | 4.5 | .05 | 20 | TO-92 |
| 2N4142 | 60 | 40 | 5 | 40 | 120 | 150 | 10 | 0.4 | 15 | 150 | 200 | 8 | .05 | 30 | TO-106 |
| 2N4143 | 60 | 40 | 5 | 100 | 300 | 150 | 10 | 0.4 | 15 | 150 | 200 | 8 | .05 | 30 | TO-106 |
| 2N4228 | 60 | 40 | 5 | 75 | 150 | 150 | 10 | 0.4 | 15 | 150 | 200 | 8 | .05 | 30 | TO-106 |
| 2N4354 | 60 | 60 | 5 | 50 | 500 | 10 | 10 | .15 | 15 | 150 | 100 | 30 | — | — | TO-105 |
| 2N4355 | 60 | 60 | 5 | 100 | 400 | 10 | 10 | .15 | 15 | 150 | 100 | 30 | — | — | TO-105 |
| 2N4356 | 80 | 80 | 5 | 50 | 250 | 10 | 10 | .15 | 15 | 150 | 100 | 30 | — | — | TO-105 |
| 2N4402 | 40 | 40 | 5 | 50 | 150 | 150 | 1 | 0.4 | 15 | 150 | 150 | — | — | — | TO-92 |
| 2N4403 | 40 | 40 | 5 | 100 | 300 | 150 | 1 | 0.4 | 15 | 150 | 200 | — | — | — | TO-92 |
| 2N4916 | 30 | 30 | 5 | 70 | 200 | 10 | 1 | 0.3 | 5 | 50 | 400 | 4.5 | — | — | TO-106 |
| 2N4917 | 30 | 30 | 5 | 150 | 300 | 10 | 1 | 0.3 | 5 | 50 | 450 | 4.5 | — | — | TO-106 |
| 2N4971 | 50 | 40 | 5 | 40 | 120 | 150 | 10 | .15 | 15 | 150 | 200 | 8 | .025 | 30 | TO-106 |
| 2N4972 | 50 | 40 | 5 | 100 | 300 | 150 | 10 | 0.4 | 15 | 150 | 200 | 8 | .025 | 30 | TO-106 |
| 2N5040 | 25 | 25 | 4 | 30 | — | 150 | 10 | .25 | 15 | 150 | 80 | 35 | — | — | TO-105 |
| 2N5041 | 40 | 40 | 5 | 40 | 150 | 150 | 10 | .25 | 15 | 150 | 100 | 35 | — | — | TO-105 |
| 2N5138 | 30 | 30 | 5 | 50 | 800 | 0.1 | 10 | 0.3 | 1 | 10 | 30 | 7 | .05 | 20 | TO-106 |
| 2N5139 | 20 | 20 | 5 | 30 | — | 0.1 | 10 | 0.5 | 5 | 50 | 300 | 5 | .05 | 15 | TO-106 |
| 2N5142 | 20 | 20 | 4 | 30 | — | 50 | 1 | 0.5 | 5 | 50 | 100 | 10 | .05 | 12 | TO-105 |
| 2N5143 | 20 | 20 | 4 | 30 | — | 50 | 1 | 0.5 | 5 | 50 | 100 | 10 | .05 | 12 | TO-105 |
| 2N5221 | 15 | 15 | 3 | 30 | 600 | 50 | 10 | 0.5 | 5 | 50 | 100 | 15 | — | — | TO-92 |
| 2N5226 | 25 | 25 | 4 | 30 | 600 | 50 | 10 | 0.8 | 5 | 50 | 50 | 20 | — | — | TO-92 |
| 2N5227 | 30 | 30 | 3 | 50 | 700 | 2 | 10 | 0.4 | 0.2 | 2 | 100 | 5 | — | — | TO-92 |
| 2N5243 | 30 | 30 | 5 | 25 | — | 0.5 | 1 | 1.0 | 5 | 50 | 170 | 35 | 0.1 | 20 | TO-105 |
| 2N5354 | 25 | 25 | 4 | 40 | 120 | 50 | 1 | .25 | 5 | 50 | — | 8 | — | — | TO-98 |
| 2N5355 | 25 | 25 | 4 | 100 | 300 | 50 | 1 | .25 | 5 | 50 | — | 8 | — | — | TO-98 |
| 2N5356 | 25 | 25 | 4 | 250 | 500 | 50 | 1 | .25 | 5 | 50 | — | 8 | — | — | TO-98 |
| 2N5365 | 40 | 40 | 4 | 40 | 120 | 50 | 1 | .25 | 5 | 50 | — | 8 | — | — | TO-98 |
| 2N5366 | 40 | 40 | 4 | 100 | 300 | 50 | 1 | .25 | 5 | 50 | — | 8 | — | — | TO-98 |
| 2N5367 | 40 | 40 | 4 | 250 | 500 | 50 | 1 | .25 | 5 | 50 | — | 8 | — | — | TO-98 |
| 2N5372 | 30 | 30 | 5 | 40 | 120 | 150 | 10 | 0.3 | 15 | 150 | 150 | 10 | — | — | TO-92P |
| 2N5373 | 30 | 30 | 5 | 100 | 300 | 150 | 10 | 0.3 | 15 | 150 | 150 | 10 | — | — | TO-92P |
| 2N5374 | 30 | 30 | 5 | 150 | 450 | 150 | 10 | 0.3 | 15 | 150 | 150 | 10 | — | — | TO-92P |
| 2N5375 | 30 | 30 | 5 | 40 | 400 | 250 | 10 | 0.3 | 15 | 150 | 150 | 10 | — | — | TO-92P |
| 2N5382 | 40 | 40 | 6 | 50 | 150 | 10 | 1 | 0.4 | 5 | 50 | 200 | 4.5 | — | — | TO-92P |
| 2N5383 | 40 | 40 | 6 | 100 | 300 | 10 | 1 | 0.4 | 5 | 50 | 250 | 4.5 | — | — | TO-92P |
| 2N5447 | 40 | 25 | 5 | 60 | — | 50 | 5 | — | — | — | 100 | 12 | 0.1 | 25 | TO-106 |
| 2N5448 | 50 | 30 | 5 | 30 | — | 50 | 5 | — | — | — | 100 | 12 | 0.1 | 30 | TO-106 |
| 2N5811 | 25 | 25 | 5 | 45 | — | 500 | 2 | .75 | 50 | 500 | 100 | 15 | — | — | TO-92P |
| 2N5813 | 25 | 25 | 5 | 60 | — | 500 | 2 | .75 | 50 | 500 | 135 | 15 | — | — | TO-92P |
| 2N5816 | 40 | 40 | 5 | 20 | — | 500 | 2 | .75 | 50 | 500 | 100 | 15 | — | — | TO-92P |
| 2N5817 | 40 | 40 | 5 | 25 | — | 500 | 2 | .75 | 50 | 500 | 120 | 15 | — | — | TO-92P |
| 2N5819 | 40 | 40 | 5 | 25 | — | 500 | 2 | .75 | 50 | 500 | 135 | 15 | — | — | TO-92P |
| 2N5855 | 60 | 60 | 5 | 50 | 300 | 150 | 10 | 0.4 | 15 | 150 | 15 | — | — | — | TO-105 |
| 2N5857 | 80 | 80 | 5 | 50 | 300 | 150 | 10 | 0.4 | 15 | 150 | 15 | — | — | — | TO-105 |
| 2N6076 | 25 | 25 | 5 | 100 | 500 | 10 | 10 | .25 | 1 | 10 | — | 10 | — | — | TO-98 |

PNP EPOXY – SATURATED SWITCH

| TYPE NO. | V _{CB} | V _{CE} | V _{EB} | h _{FE} | at | I _C | V _{CE} | V _{CE(s)} at I _C | | f _T | C _{ob} | t _{on} | t _{off} | I _{CBO} at V _{CB} | CASE | |
|----------|-----------------|-----------------|-----------------|-----------------|-----|----------------|-----------------|--------------------------------------|----|----------------|-----------------|-----------------|------------------|-------------------------------------|------|--------|
| | V | V | V | min | ma | mA | V | V | mA | MHz | pF | nS | nS | μA | | V |
| 2N3639 | 6 | 6 | 4 | 30 | 120 | 10 | 0.3 | 0.16 | 10 | 500 | 3.5 | — | 60 | .01 | 3 | TO-106 |
| 2N3640 | 12 | 12 | 4 | 30 | 120 | 10 | 0.3 | 0.2 | 10 | 500 | 3.5 | — | 35 | .01 | 6 | TO-106 |
| 2N4257 | 6 | 6 | 4 | 30 | 120 | 10 | 0.3 | 0.5 | 50 | 500 | 3 | — | 15 | .01 | 3 | TO-106 |
| 2N4257A | 6 | 6 | 4 | 30 | 120 | 10 | 0.3 | 0.5 | 50 | 500 | 3 | — | 15 | .01 | 3 | TO-106 |
| 2N4258 | 12 | 12 | 4 | 30 | 120 | 10 | 0.3 | 0.5 | 50 | 700 | 3 | — | 20 | .01 | 6 | TO-106 |
| 2N4258A | 12 | 12 | 4 | 30 | 120 | 10 | 0.3 | 0.5 | 50 | 700 | 3 | — | 18 | .01 | 6 | TO-106 |
| 2N4313 | 12 | 12 | 4 | 30 | — | 10 | 1.0 | 0.19 | 30 | 700 | 4 | — | 25 | .01 | 10 | TO-106 |

CASE OUTLINE DRAWINGS

D



All Dimensions in Inches (Millimeters)
Drawings Not To Scale

