

BFG325/XR

NPN 14 GHz wideband transistor

Rev. 01 — 2 February 2005

Product data sheet

1. Product profile

1.1 General description

NPN silicon planar epitaxial transistor in a 4-pin dual-emitter SOT143R plastic package.

1.2 Features

- High power gain
- Low noise figure
- High transition frequency
- Gold metallization ensures excellent reliability

1.3 Applications

- Intended for Radio Frequency (RF) front end applications in the GHz range, such as:
 - ◆ analog and digital cellular telephones
 - ◆ cordless telephones (Cordless Telephone (CT), Personal Communication Network (PCN), Digital Enhanced Cordless Telecommunications (DECT), etc.)
 - ◆ radar detectors
 - ◆ pagers
 - ◆ Satellite Antenna TeleVision (SATV) tuners
 - ◆ repeater amplifiers in fiber-optic systems

1.4 Quick reference data

Table 1: Quick reference data

Symbol	Parameter	Conditions	Min	Typ	Max	Unit
V_{CBO}	collector-base voltage	open emitter	-	-	15	V
V_{CEO}	collector-emitter voltage	open base	-	-	6	V
I_C	collector current (DC)		-	-	35	mA
P_{tot}	total power dissipation	$T_{sp} \leq 90\text{ °C}$	[1]	-	210	mW
h_{FE}	DC current gain	$I_C = 15\text{ mA}; V_{CE} = 3\text{ V}; T_j = 25\text{ °C}$	60	100	200	
C_{CBS}	collector-base capacitance	$V_{CB} = 5\text{ V}; f = 1\text{ MHz};$ emitter grounded	-	0.26	0.4	pF
f_T	transition frequency	$I_C = 15\text{ mA}; V_{CE} = 3\text{ V};$ $f = 1\text{ GHz}; T_{amb} = 25\text{ °C}$	-	14	-	GHz
G_{max}	maximum power gain [2]	$I_C = 15\text{ mA}; V_{CE} = 3\text{ V};$ $f = 1.8\text{ GHz}; T_{amb} = 25\text{ °C}$	-	18.3	-	dB

PHILIPS

Table 1: Quick reference data ...continued

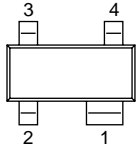
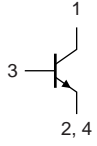
Symbol	Parameter	Conditions	Min	Typ	Max	Unit
$ S_{21} ^2$	insertion power gain	$I_C = 15 \text{ mA}$; $V_{CE} = 3 \text{ V}$; $f = 1.8 \text{ GHz}$; $T_{amb} = 25 \text{ }^\circ\text{C}$; $Z_S = Z_L = 50 \text{ } \Omega$	-	14	-	dB
NF	noise figure	$\Gamma_s = \Gamma_{opt}$; $I_C = 3 \text{ mA}$; $V_{CE} = 3 \text{ V}$; $f = 2 \text{ GHz}$	-	1.1	-	dB

[1] T_{sp} is the temperature at the soldering point of the collector pin.

[2] G_{max} is the maximum power gain, if $K > 1$. If $K < 1$ then $G_{max} = MSG$, see [Figure 4](#).

2. Pinning information

Table 2: Pinning

Pin	Description	Simplified outline	Symbol
1	collector		
2	emitter		
3	base		
4	emitter		

sym086

3. Ordering information

Table 3: Ordering information

Type number	Package		
	Name	Description	Version
BFG325/XR	SC-61AA	plastic surface mounted package; reverse pinning; 4 leads	SOT143R

4. Marking

Table 4: Marking codes

Type number	Marking code [1]
BFG325/XR	S2*

[1] * = p: made in Hong Kong.

5. Limiting values

Table 5: Limiting values

In accordance with the Absolute Maximum Rating System (IEC 60134).

Symbol	Parameter	Conditions	Min	Max	Unit
V_{CBO}	collector-base voltage	open emitter	-	15	V
V_{CEO}	collector-emitter voltage	open base	-	6	V
V_{EBO}	emitter-base voltage	open collector	-	2	V

Table 5: Limiting values ...continued

In accordance with the Absolute Maximum Rating System (IEC 60134).

Symbol	Parameter	Conditions	Min	Max	Unit
I_C	collector current (DC)		-	35	mA
P_{tot}	total power dissipation	$T_{sp} \leq 90\text{ °C}$	[1]	210	mW
T_{stg}	storage temperature		-65	+175	°C
T_j	junction temperature		-	175	°C

[1] T_{sp} is the temperature at the soldering point of the collector pin.

6. Thermal characteristics

Table 6: Thermal characteristics

Symbol	Parameter	Conditions	Typ	Unit
$R_{th(j-sp)}$	thermal resistance from junction to solder point	$T_{sp} \leq 90\text{ °C}$	[1]	405 K/W

[1] T_{sp} is the temperature at the soldering point of the collector pin.

7. Characteristics

Table 7: Characteristics

$T_j = 25\text{ °C}$; unless otherwise specified.

Symbol	Parameter	Conditions	Min	Typ	Max	Unit
I_{CBO}	collector-base cut-off current	$I_E = 0\text{ A}$; $V_{CB} = 5\text{ V}$	-	-	15	nA
h_{FE}	DC current gain	$I_C = 15\text{ mA}$; $V_{CE} = 3\text{ V}$	60	100	200	
C_{CBS}	collector-base capacitance	$V_{CB} = 5\text{ V}$; $f = 1\text{ MHz}$; emitter grounded	-	0.26	0.4	pF
C_{CES}	collector-emitter capacitance	$V_{CE} = 5\text{ V}$; $f = 1\text{ MHz}$; base grounded	-	0.27	-	pF
C_{EBS}	emitter-base capacitance	$V_{EB} = 0.5\text{ V}$; $f = 1\text{ MHz}$; collector grounded	-	0.53	-	pF
f_T	transition frequency	$I_C = 15\text{ mA}$; $V_{CE} = 3\text{ V}$; $f = 1\text{ GHz}$; $T_{amb} = 25\text{ °C}$	-	14	-	GHz
G_{max}	maximum power gain [1]	$I_C = 15\text{ mA}$; $V_{CE} = 3\text{ V}$; $f = 1.8\text{ GHz}$; $T_{amb} = 25\text{ °C}$	-	18.3	-	dB
$ s_{21} ^2$	insertion power gain	$I_C = 15\text{ mA}$; $V_{CE} = 3\text{ V}$; $T_{amb} = 25\text{ °C}$; $Z_S = Z_L = 50\text{ }\Omega$				
		$f = 1.8\text{ GHz}$	-	14	-	dB
		$f = 3\text{ GHz}$	-	10	-	dB
NF	noise figure	$\Gamma_s = \Gamma_{opt}$; $I_C = 3\text{ mA}$; $V_{CE} = 3\text{ V}$; $f = 2\text{ GHz}$	-	1.1	-	dB
$P_{L(1dB)}$	output power at 1 dB gain compression	$I_C = 15\text{ mA}$; $V_{CE} = 3\text{ V}$; $f = 1.8\text{ GHz}$; $T_{amb} = 25\text{ °C}$; $Z_S = Z_L = 50\text{ }\Omega$	-	8.7	-	dBm
IP3	third order intercept point	$I_C = 15\text{ mA}$; $V_{CE} = 3\text{ V}$; $f = 1.8\text{ GHz}$; $T_{amb} = 25\text{ °C}$; $Z_S = Z_L = 50\text{ }\Omega$	-	19.4	-	dBm

[1] G_{max} is the maximum power gain, if $K > 1$. If $K < 1$ then $G_{max} = MSG$, see Figure 4.

$$K \text{ is the Rollet stability factor: } K = \frac{1 + |Ds|^2 - |s_{11}|^2 - |s_{22}|^2}{2 \times |s_{21}| \times |s_{12}|} \text{ where } Ds = s_{11} \times s_{22} - s_{12} \times s_{21}.$$

MSG = maximum stable gain.

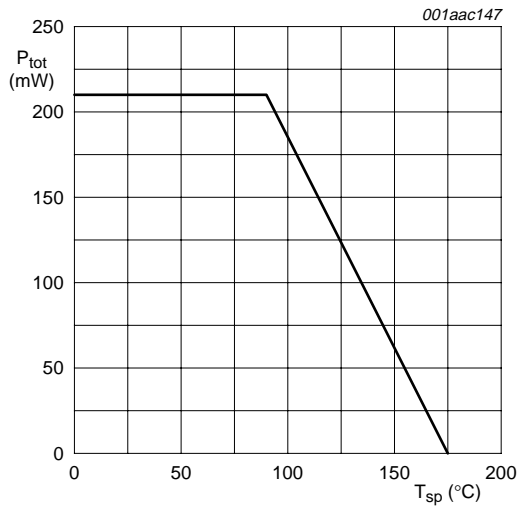


Fig 1. Power derating curve

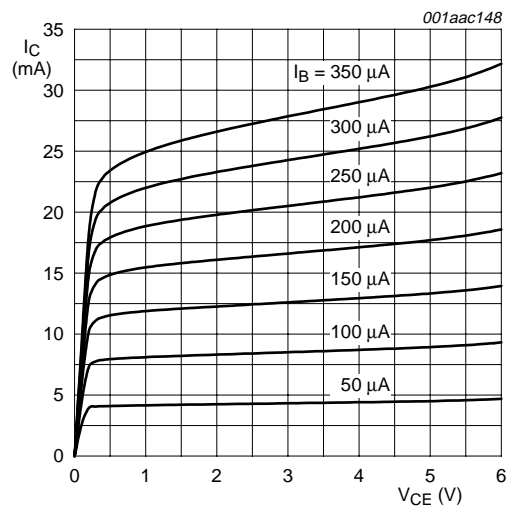
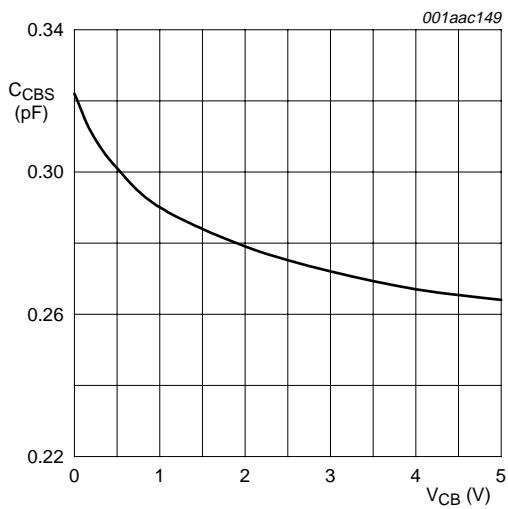
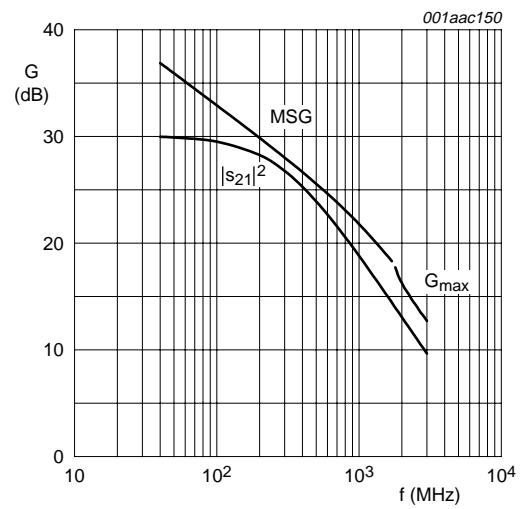


Fig 2. Collector current as a function of collector-emitter voltage; typical values



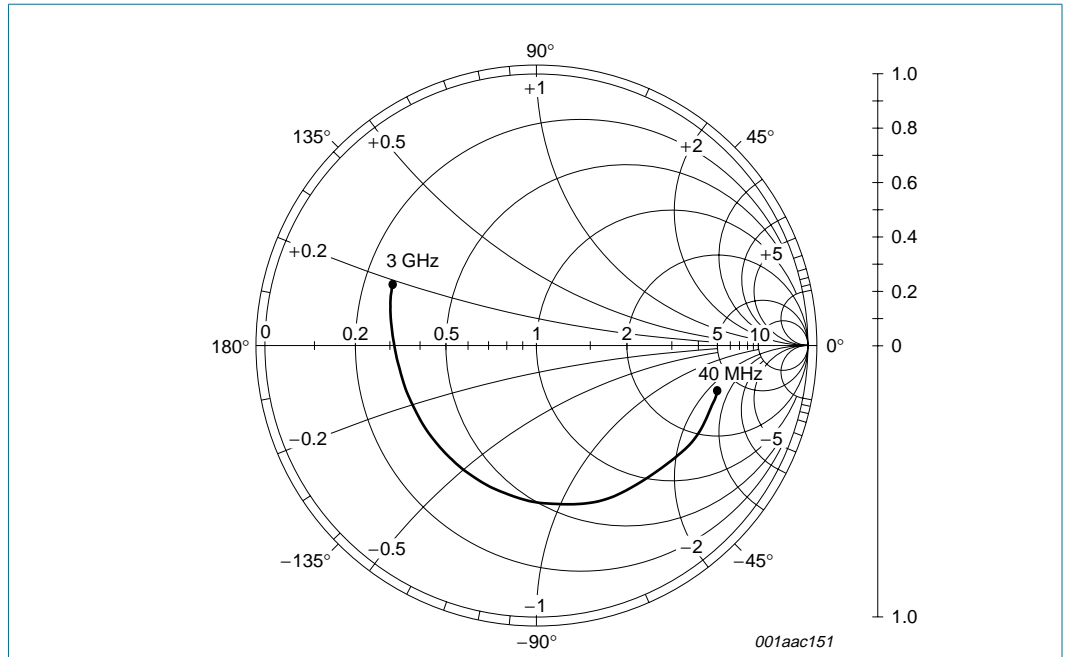
$I_C = 0$ mA; $f = 1$ MHz.

Fig 3. Collector-base capacitance as a function of collector-base voltage; typical values



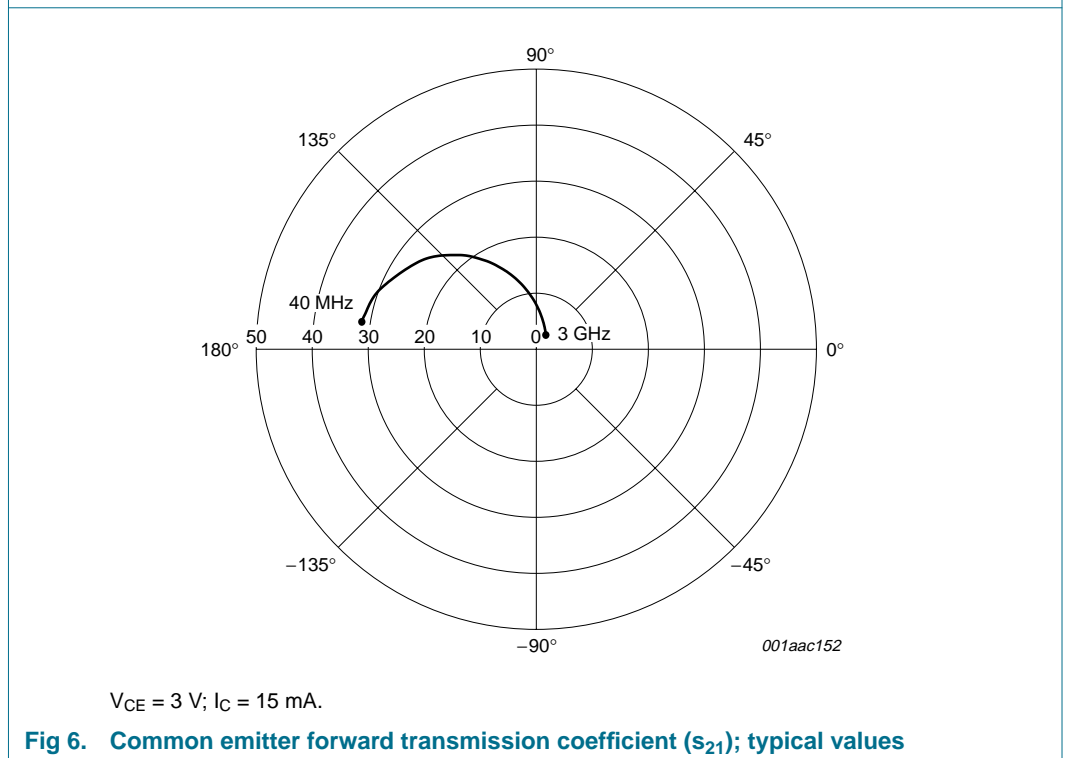
$I_C = 15$ mA; $V_{CE} = 3$ V.

Fig 4. Gain as a function of frequency; typical values



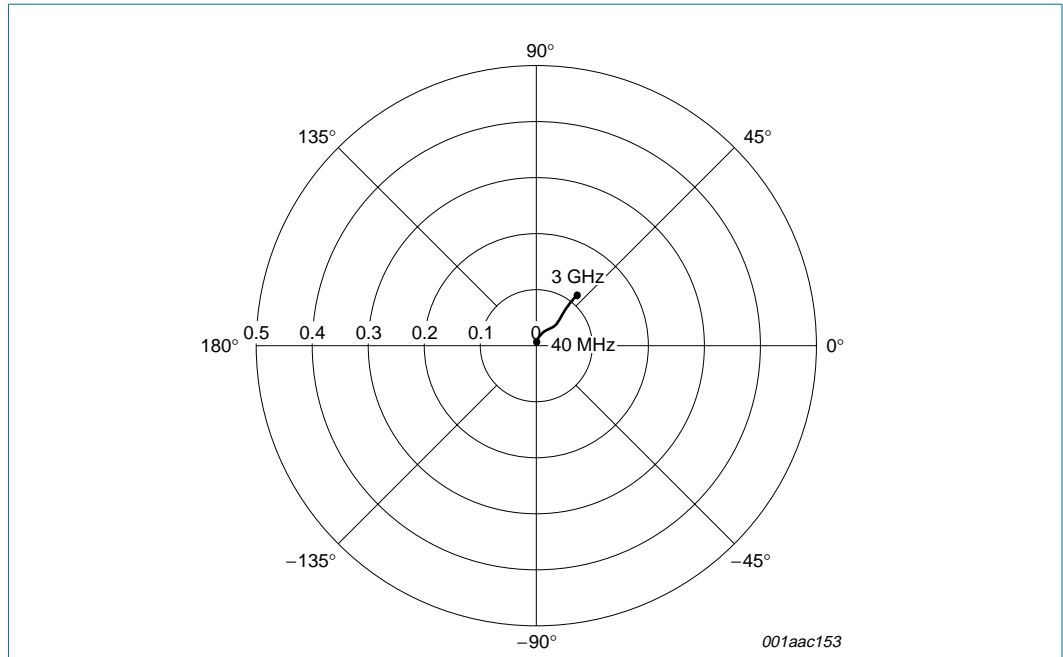
$V_{CE} = 3\text{ V}; I_C = 15\text{ mA}; Z_o = 50\ \Omega.$

Fig 5. Common emitter input reflection coefficient (s_{11}); typical values



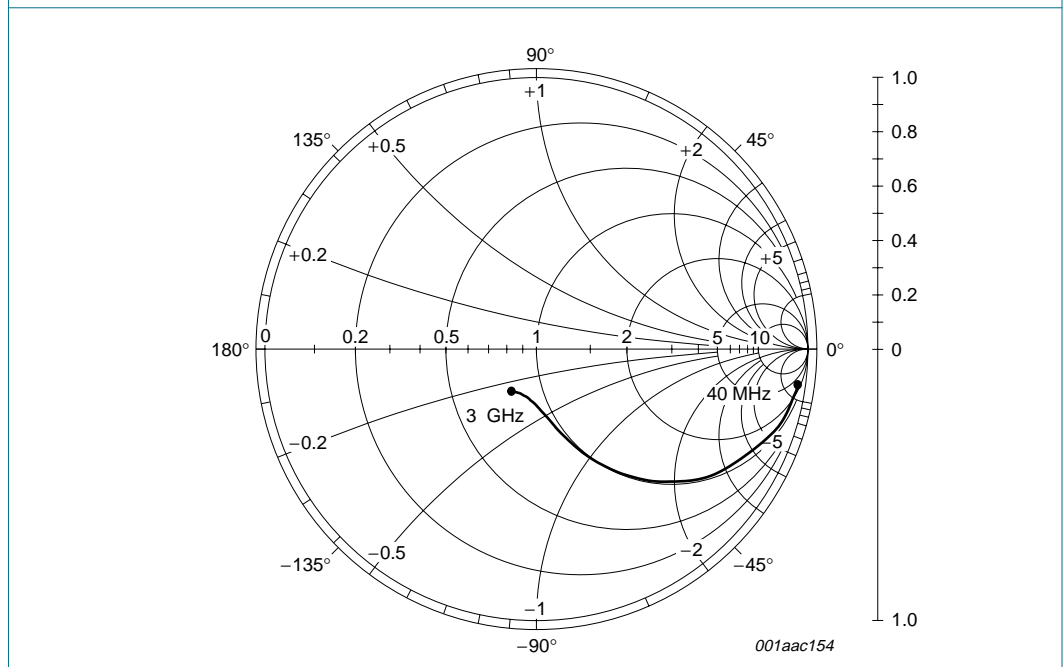
$V_{CE} = 3\text{ V}; I_C = 15\text{ mA}.$

Fig 6. Common emitter forward transmission coefficient (s_{21}); typical values



$V_{CE} = 3\text{ V}; I_C = 15\text{ mA}$.

Fig 7. Common emitter reverse transmission coefficient (s_{12}); typical values



$V_{CE} = 3\text{ V}; I_C = 15\text{ mA}; Z_o = 50\ \Omega$.

Fig 8. Common emitter output reflection coefficient (s_{22}); typical values

8. Application information

Table 8: SPICE parameters of the BFG325 DIE

Sequence	Parameter	Value	Unit
1	IS	26.6	aA
2	BF	200	-
3	NF	1	-
4	VAF	40	V
5	IKF	105	mA
6	ISE	2.3	fA
7	NE	2.114	-
8	BR	10	-
9	NR	1	-
10	VAR	2.5	V
11	IKR	10	A
12	ISC	0	aA
13	NC	1.5	-
14	RB	3.6	Ω
15	RE	1.5	Ω
16	RC	2.6	Ω
17	CJE	185.6	fF
18	VJE	890	mV
19	MJE	0.294	-
20	CJC	77.06	fF
21	VJC	601	mV
22	MJC	0.159	-
23	XCJC	1	-
24	FC	0.7	-
25	TF	8.1	ps
26	XTF	10	-
27	VTF	1000	V
28	ITF	150	mA
29	PTF	0	deg
30	TR	0	ns
31	KF	0	-
32	AF	1	-
33	TNOM	25	$^{\circ}\text{C}$
34	EG	1.014	eV
35	XTB	0	-
36	XTI	8	-
37	Q1.AREA	2.5	-

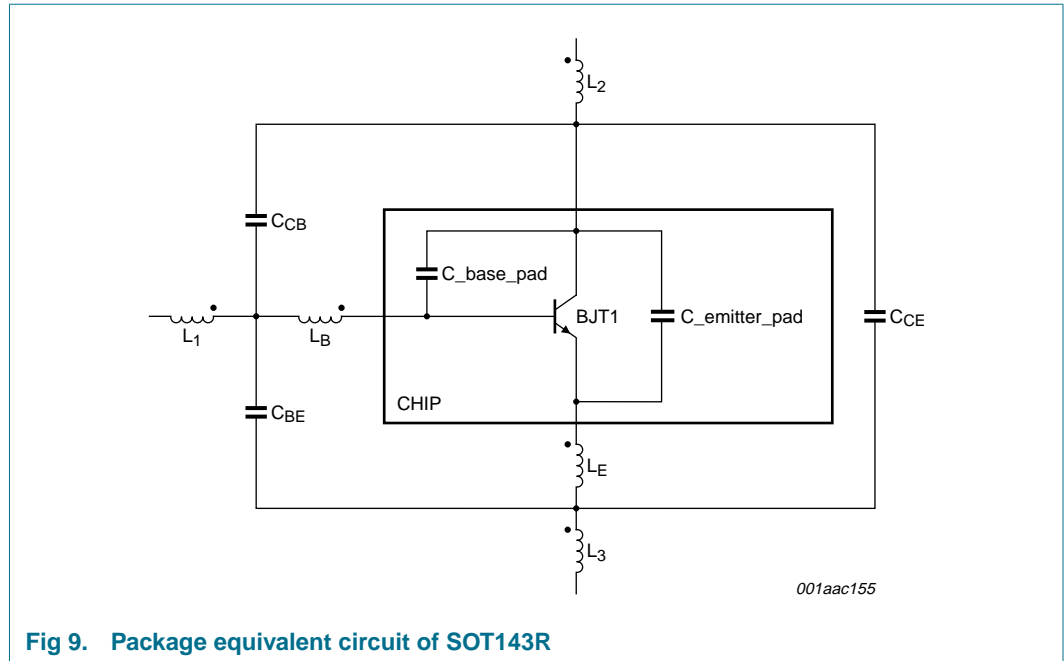


Fig 9. Package equivalent circuit of SOT143R

Table 9: List of components; see [Figure 9](#)

Designation	Value	Unit
C_{CB}	17	fF
C_{BE}	84	fF
C_{CE}	191	fF
C_{base_pad}	67	fF
$C_{emitter_pad}$	142	fF
L_B	0.95	nH
L_E	0.40	nH
L_1	0.12	nH
L_2	0.21	nH
L_3	0.06	nH

9. Package outline

Plastic surface mounted package; reverse pinning; 4 leads

SOT143R

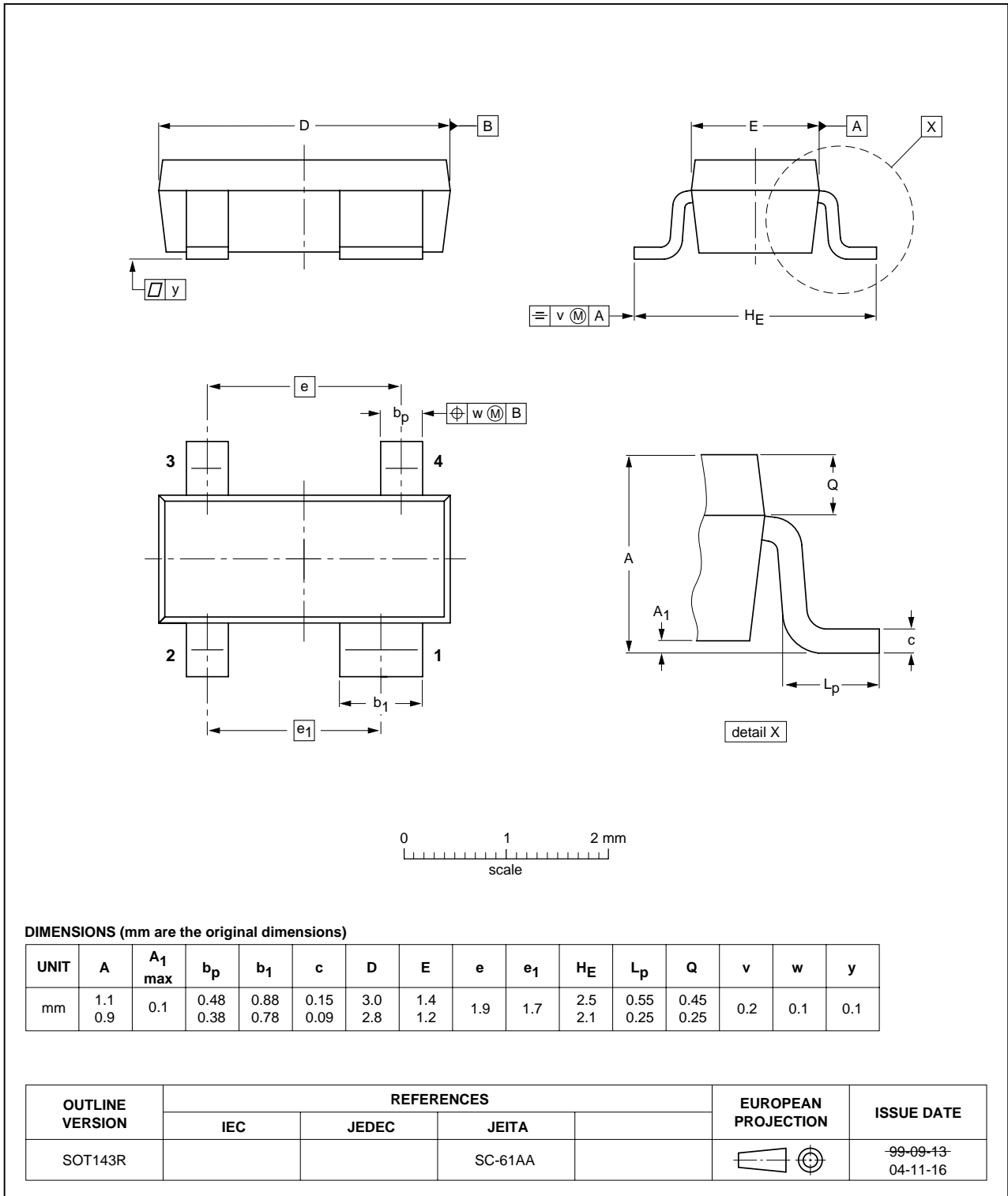


Fig 10. Package outline SOT143R (SC-61AA)



10. Revision history

Table 10: Revision history

Document ID	Release date	Data sheet status	Change notice	Doc. number	Supersedes
BFG325_XR_1	20050202	Product data sheet	-	9397 750 14247	-

11. Data sheet status

Level	Data sheet status ^[1]	Product status ^[2] ^[3]	Definition
I	Objective data	Development	This data sheet contains data from the objective specification for product development. Philips Semiconductors reserves the right to change the specification in any manner without notice.
II	Preliminary data	Qualification	This data sheet contains data from the preliminary specification. Supplementary data will be published at a later date. Philips Semiconductors reserves the right to change the specification without notice, in order to improve the design and supply the best possible product.
III	Product data	Production	This data sheet contains data from the product specification. Philips Semiconductors reserves the right to make changes at any time in order to improve the design, manufacturing and supply. Relevant changes will be communicated via a Customer Product/Process Change Notification (CPCN).

[1] Please consult the most recently issued data sheet before initiating or completing a design.

[2] The product status of the device(s) described in this data sheet may have changed since this data sheet was published. The latest information is available on the Internet at URL <http://www.semiconductors.philips.com>.

[3] For data sheets describing multiple type numbers, the highest-level product status determines the data sheet status.

12. Definitions

Short-form specification — The data in a short-form specification is extracted from a full data sheet with the same type number and title. For detailed information see the relevant data sheet or data handbook.

Limiting values definition — Limiting values given are in accordance with the Absolute Maximum Rating System (IEC 60134). Stress above one or more of the limiting values may cause permanent damage to the device. These are stress ratings only and operation of the device at these or at any other conditions above those given in the Characteristics sections of the specification is not implied. Exposure to limiting values for extended periods may affect device reliability.

Application information — Applications that are described herein for any of these products are for illustrative purposes only. Philips Semiconductors make no representation or warranty that such applications will be suitable for the specified use without further testing or modification.

13. Disclaimers

Life support — These products are not designed for use in life support appliances, devices, or systems where malfunction of these products can reasonably be expected to result in personal injury. Philips Semiconductors customers using or selling these products for use in such applications do so at their own risk and agree to fully indemnify Philips Semiconductors for any damages resulting from such application.

Right to make changes — Philips Semiconductors reserves the right to make changes in the products - including circuits, standard cells, and/or software - described or contained herein in order to improve design and/or performance. When the product is in full production (status 'Production'), relevant changes will be communicated via a Customer Product/Process Change Notification (CPCN). Philips Semiconductors assumes no responsibility or liability for the use of any of these products, conveys no license or title under any patent, copyright, or mask work right to these products, and makes no representations or warranties that these products are free from patent, copyright, or mask work right infringement, unless otherwise specified.

14. Contact information

For additional information, please visit: <http://www.semiconductors.philips.com>

For sales office addresses, send an email to: sales.addresses@www.semiconductors.philips.com

15. Contents

1	Product profile	1
1.1	General description	1
1.2	Features	1
1.3	Applications	1
1.4	Quick reference data	1
2	Pinning information	2
3	Ordering information	2
4	Marking	2
5	Limiting values	2
6	Thermal characteristics	3
7	Characteristics	3
8	Application information	7
9	Package outline	9
10	Revision history	10
11	Data sheet status	11
12	Definitions	11
13	Disclaimers	11
14	Contact information	11



© Koninklijke Philips Electronics N.V. 2005

All rights are reserved. Reproduction in whole or in part is prohibited without the prior written consent of the copyright owner. The information presented in this document does not form part of any quotation or contract, is believed to be accurate and reliable and may be changed without notice. No liability will be accepted by the publisher for any consequence of its use. Publication thereof does not convey nor imply any license under patent- or other industrial or intellectual property rights.

Date of release: 2 February 2005
Document number: 9397 750 14247

Published in The Netherlands