

# Gas Discharge Tube: GF4 Series

## SMD 2-Electrode $\Phi 4 \times 4.2$ mm Type



### ■ Features

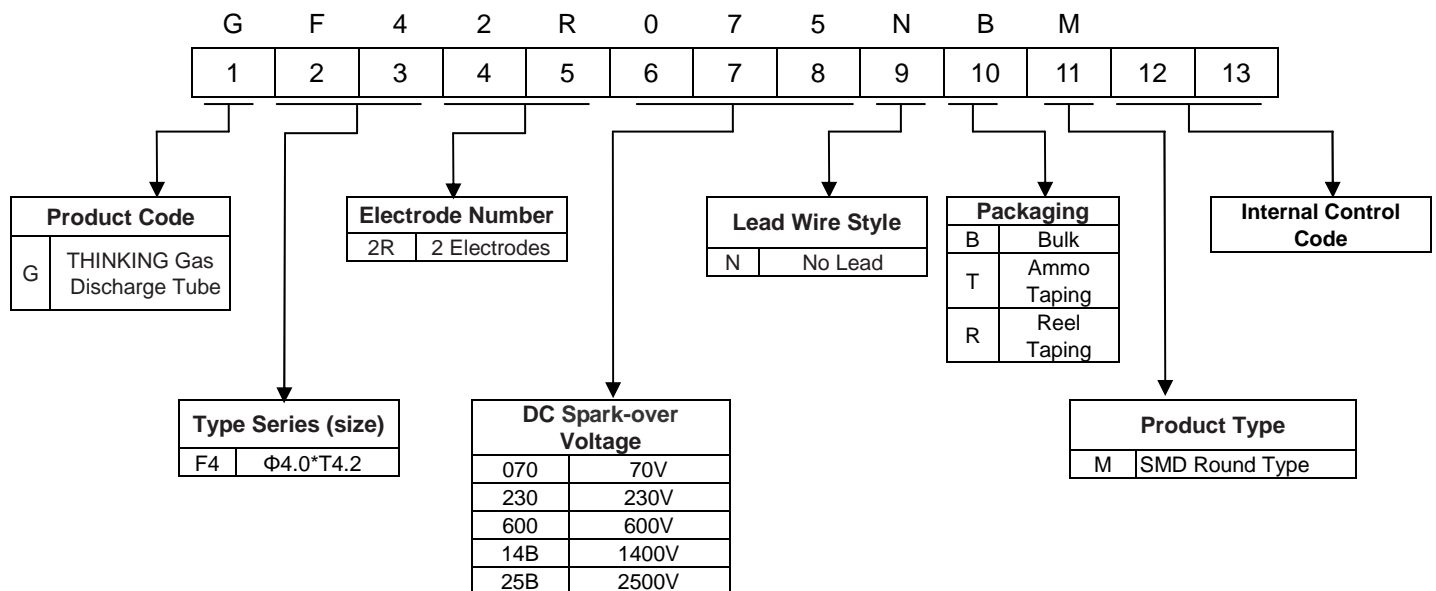
1. RoHS compliant
2. SMD type series
3. DC spark-over voltage : 75~600V
4. Low capacitance
5. Agency recognition :UL



### ■ Recommended Applications

1. Data transmission lines
2. Communication lines
3. CATV system
4. Power distribution system
5. Power supplier
6. Test equipment
7. Instrumentation circuits

### ■ Part Number Code



# Gas Discharge Tube: GF4 Series

## SMD 2-Electrode $\Phi 4 \times 4.2$ mm Type



### Characteristics

Type	DC Breakdown Voltage	Maximum Impulse Breakdown Voltage		Maximum Impulse Discharge Current (8/20 $\mu$ s)		Impulse Life (10/1000 $\mu$ s)	Normal Alternating Discharge Current		DC Holdover Voltage	Minimum Insulation Resistance	Maximum Capacitance (1MHz)	Safety approvals
	(100V/S)	100V/ $\mu$ s	1KV/ $\mu$ s	1 time	10 times	100A	50Hz, 1Sec	Single 9 Cycles	<150ms			
	(V)	(V)	(V)	(KA)		Times	(A)		(V)			
GF42R075NRM	75 $\pm$ 20%	700	800	5	3	300	3	6	52	1	0.5	✓
GF42R090NRM	90 $\pm$ 20%	700	800						52			✓
GF42R145NRM	145 $\pm$ 20%	700	800						52			✓
GF42R230NRM	230 $\pm$ 20%	600	700						80			✓
GF42R250NRM	250 $\pm$ 20%	600	700						80			✓
GF42R300NRM	300 $\pm$ 20%	600	700						150			✓
GF42R350NRM	350 $\pm$ 20%	650	800						150			✓
GF42R400NRM	400 $\pm$ 20%	700	800						150			✓
GF42R470NRM	470 $\pm$ 20%	800	900						150			✓
GF42R600NRM	600 $\pm$ 20%	900	1000						150			✓

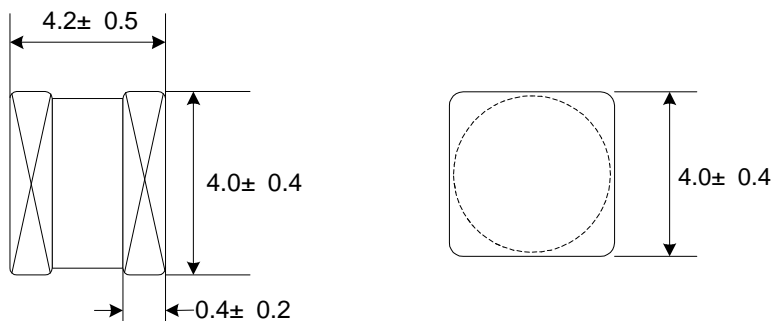
Note1: UL / 497B  $\rightarrow$  File No. E245070

Note 2 Insulation resistance test condition:

DC Breakdown Voltage	DC Measuring Voltage
70-90V	50V
120-400V	100V
470-600V	250V

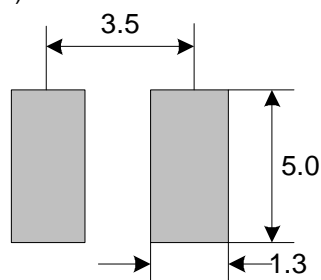
### Dimension

(unit:mm)



### Recommended Pad Size

(unit: mm)



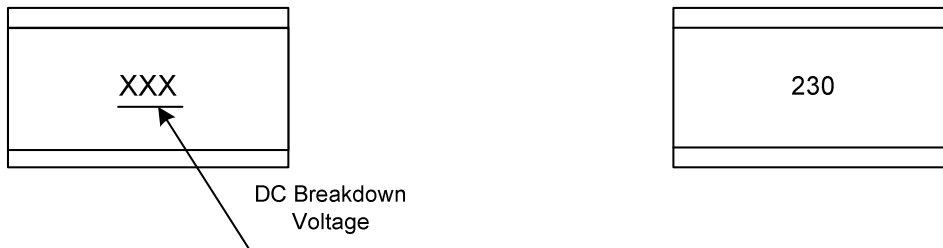
# Gas Discharge Tube: GF4 Series

## SMD 2-Electrode $\Phi 4 \times 4.2$ mm Type



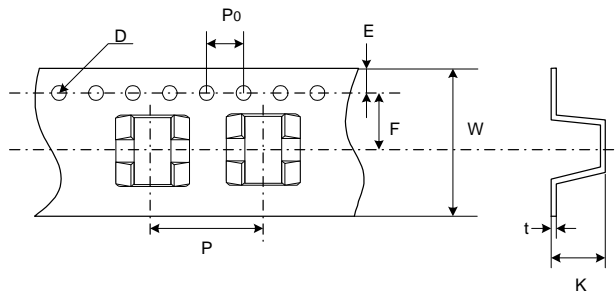
### ■ Marking

Example



### ■ Packaging

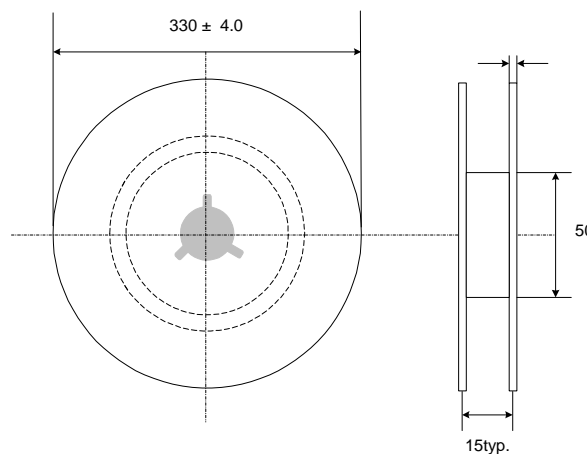
#### ● Taping



Quantity : 900pcs per reel (13" )

Unit: mm

ITEM	P	P0	W	F	E	D	K	t
Spec.	12.0	4.0	16.0	7.5	1.75	$\Phi 1.55$	4.6	0.5
Tol.	$\pm 0.1$	$\pm 0.1$	$\pm 0.3$	$\pm 0.1$	$\pm 0.1$	$\pm 0.05$	$\pm 0.1$	$\pm 0.05$



### ■ Storage Conditions of GDT

(I) Storage conditions:

1. Storage Temperature:  $-10^{\circ}\text{C} \sim +40^{\circ}\text{C}$ .
2. Relative humidity:  $\leq 75\% \text{RH}$ .
3. Gas discharge tube must be kept away from sunlight and stored in a non-corrosive atmosphere.

(II) Shelf life: 1 year.