

# Gas Discharge Tube: GF6 Series

## SMD 2-Electrode $\Phi 6.2 \times T4.2$ mm Type



### ■ Features

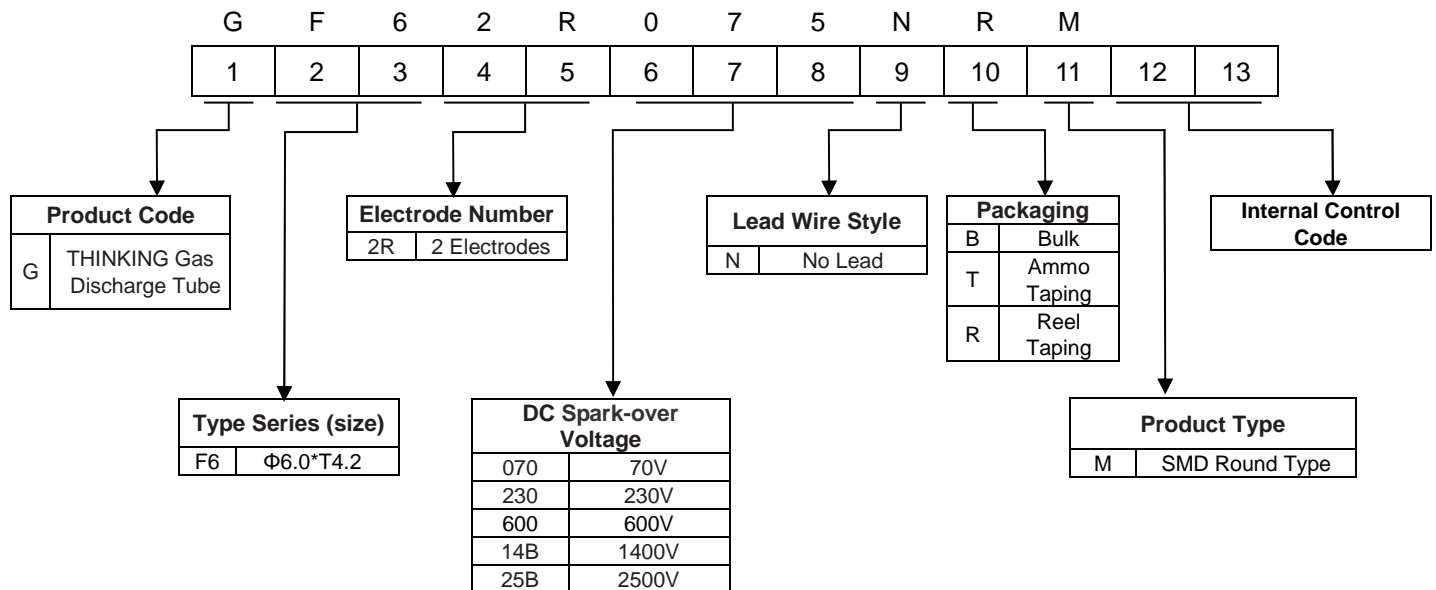
1. RoHS compliant
2. SMD type series
3. DC spark-over voltage: 75~3000V
4. Low capacitance
5. Agency recognition :UL/cUL



### ■ Recommended Applications

1. Data transmission lines
2. Communication lines
3. CATV system
4. Power distribution system
5. Power supplier
6. Test equipment
7. Instrumentation circuits

### ■ Part Number Code



# Gas Discharge Tube: GF6 Series

## SMD 2-Electrode $\Phi 6.2 \times T4.2$ mm Type



### ■ Characteristics

Type	DC Breakdown Voltage	Max. Impulse Breakdown Voltage		Impulse Discharge Current (8/20 $\mu$ s)		Impulse Life (10/1000 $\mu$ s)	Normal Alternating Discharge Current		DC Holdover voltage	Minimum Insulation Resistance	Maximum Capacitance (1MHz)	Safety approvals		
	(100V/S)	100V/ $\mu$ s	1KV/ $\mu$ s	1 time	10 times	100A	50Hz, 1Sec	Single 9 Cycles	<150ms			UL 1449/ cUL	UL 497B	
	(V)	(V)	(V)	(KA)		Times	(A)		(V)					(G $\Omega$ )
GF62R075NRM	75 $\pm$ 20%	600	700	8	5	500	5	15	52	1	0.8		√	
GF62R090NRM	90 $\pm$ 20%	600	700						52					√
GF62R145NRM	145 $\pm$ 20%	500	700						52					√
GF62R230NRM	230 $\pm$ 20%	450	550						80					√
GF62R250NRM	250 $\pm$ 20%	450	550						135					√
GF62R300NRM	300 $\pm$ 20%	500	600						135					√
GF62R350NRM	350 $\pm$ 20%	500	600						135					√
GF62R400NRM	400 $\pm$ 20%	600	700						135					√
GF62R470NRM	470 $\pm$ 20%	700	800						135					√
GF62R600NRM	600 $\pm$ 20%	900	1000						150					√
GF62R800NRM	800 $\pm$ 20%	1000	1100	150	√									
GF62R12BNRM	1200 $\pm$ 20%	1700	1800	5	3	300	3	10	150	√				
GF62R18BNRM	1800 $\pm$ 20%	2500	2600						150	√				
GF62R20BNRM	2000 $\pm$ 20%	2700	2800						150	√				
GF62R25BNRM	2500 $\pm$ 20%	3100	3200						150	√				
GF62R27BNRM	2700 $\pm$ 20%	3300	3400						150	√				
GF62R30BNRM	3000 $\pm$ 20%	3600	3700						150	√				

Note1: UL / 497B→ File No. E245070, UL / 1449 3rd→ File No.E314979

Note 2 Insulation resistance test conditions:

DC Breakdown Voltage	DC Measuring Voltage
70-90V	50V
120-400V	100V
470-800V	250V
1000-2000V	500V
2500-3000V	1000V

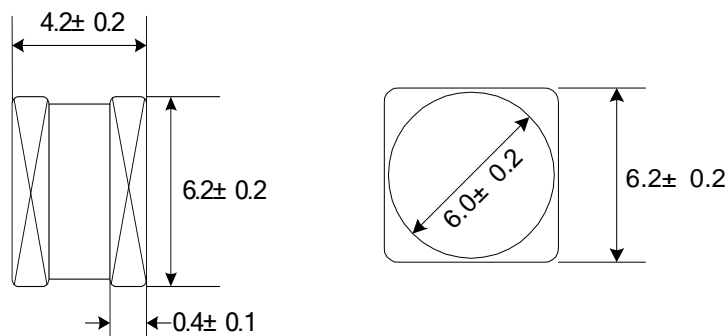
# Gas Discharge Tube: GF6 Series

## SMD 2-Electrode $\Phi 6.2 \times T 4.2$ mm Type



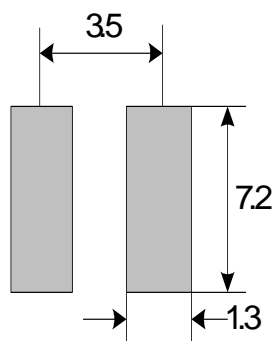
### Dimension

(unit:mm)

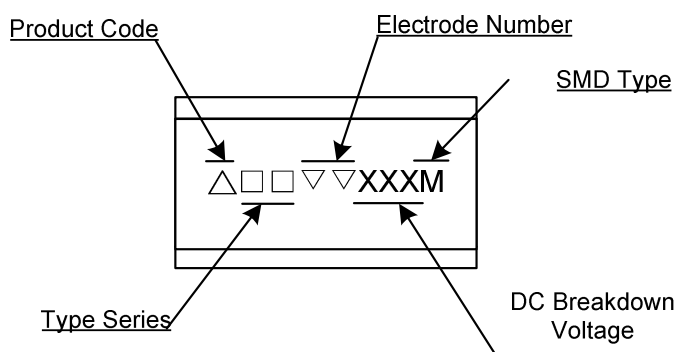


### Recommended Pad Size

(unit: mm)



### Marking



Example



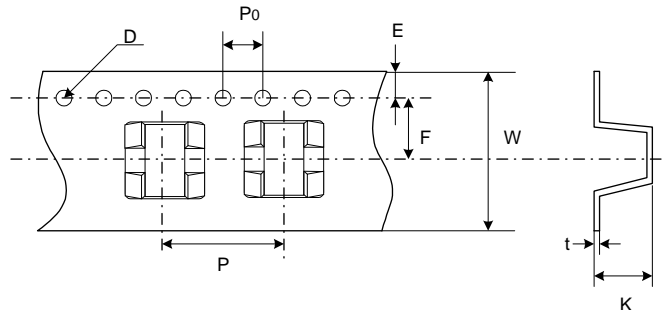
# Gas Discharge Tube: GF6 Series

## SMD 2-Electrode $\Phi 6.2 \times T 4.2$ mm Type



### ■ Packaging

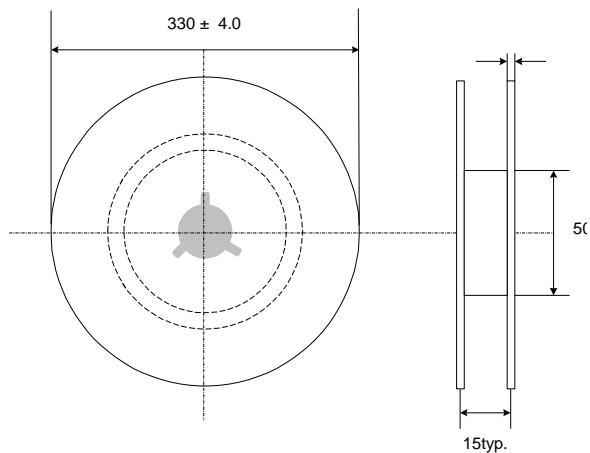
#### ● Taping



Quantity : 800pcs per reel (13" )

Unit: mm

ITEM	P	P0	W	F	E	D	K	t
Spec.	12.0	4.0	16.0	7.5	1.75	$\Phi 1.55$	6.4	0.5
Tol.	$\pm 0.1$	$\pm 0.1$	$\pm 0.3$	$\pm 0.1$	$\pm 0.1$	$\pm 0.05$	$\pm 0.1$	$\pm 0.05$



### ■ Storage Conditions of GDT

- Storage conditions:
  1. Storage Temperature:  $-10^{\circ}\text{C} \sim +40^{\circ}\text{C}$ .
  2. Relative humidity:  $\leq 75\% \text{RH}$ .
  3. Gas discharge tube must be kept away from sunlight and stored in a non-corrosive atmosphere.
- Shelf life: 1 year