



High-Current VCOM Drive Op Amps for TFT LCDs

General Description

The MAX9650/MAX9651 are single- and dual-channel VCOM amplifiers with rail-to-rail inputs and outputs. The MAX9650/MAX9651 can drive up to 1300mA of peak current per channel and operate up to 20V.

The MAX9650/MAX9651 are designed to source and sink a high current quickly to hold the VCOM voltage stable in large TFT-LCD panels.

The MAX9650/MAX9651 feature 40V/ μ s slew rate and 35MHz bandwidth to quickly settle outputs for 120Hz frame rate and full HD television.

The MAX9650/MAX9651 feature output short-circuit protection and thermal shutdown. These devices are available in exposed pad packages for excellent heat dissipation.

Applications

TFT-LCD Panels

Instrument Control Voltage Sources

Features

- ◆ 1300mA Peak Output Current
- ◆ Rail-to-Rail Inputs and Outputs
- ◆ Operates Up to 20V
- ◆ 40V/ μ s Slew Rate
- ◆ 35MHz Bandwidth
- ◆ 5mA Quiescent Current per Channel
- ◆ Excellent Heat Dissipation (Exposed Pad)

Ordering Information

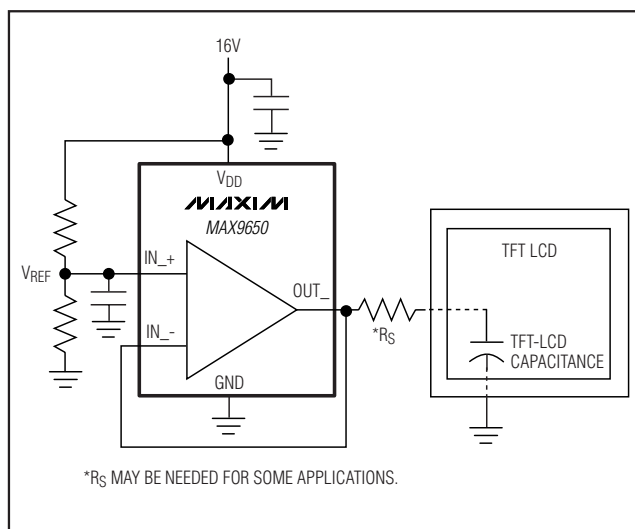
PART	AMPS PER PACKAGE	PIN-PACKAGE	TOP MARK
MAX9650AZK+	1	5 SOT23	ADSI
MAX9650AUA+	1	8 μ MAX-EP*	AABI
MAX9650ATA+	1	8 TDFN-EP*	BKX
MAX9651AUA+	2	8 μ MAX-EP*	AABH
MAX9651ATA+	2	8 TDFN-EP*	BKY

Note: All devices are specified over the -40°C to $+125^{\circ}\text{C}$ operating range.

+Denotes a lead-free/RoHS-compliant package.

*EP = Exposed pad.

Typical Operating Circuit



High-Current VCOM Drive Op Amps for TFT LCDs

MAX9650/MAX9651

ABSOLUTE MAXIMUM RATINGS

Supply Voltage (V _{DD} to GND)	-0.3V to +22V
Any Other Pin to GND	-0.3V to (V _{DD} + 0.3V)
IN ₊ /IN ₋ (current)	±20mA
OUT ₋ (current)	1.3A
Continuous Power Dissipation (T _A = +70°C)	
5-Pin SOT23 (derate 3.7mW/°C above +70°C)	297.4mW
8-Pin μMAX-EP (derate 12.9mW/°C above +70°C)	1030.9mW
8-Pin TDFN-EP (derate 23.8mW/°C above +70°C)	1951.2mW

Operating Temperature Range	-40°C to +125°C
Junction Temperature	+150°C
Storage Temperature Range	-65°C to +150°C
Lead Temperature (soldering, 10s)	+300°C

Stresses beyond those listed under "Absolute Maximum Ratings" may cause permanent damage to the device. These are stress ratings only, and functional operation of the device at these or any other conditions beyond those indicated in the operational sections of the specifications is not implied. Exposure to absolute maximum rating conditions for extended periods may affect device reliability.

ELECTRICAL CHARACTERISTICS

(V_{DD} = 19V, V_{GND} = 0, V_{CM} = V_{OUT} = V_{DD}/2, T_A = T_{MIN} to T_{MAX}, unless otherwise noted. Typical values are at T_A = +25°C.) (Note 1)

PARAMETER	SYMBOL	CONDITIONS	MIN	TYP	MAX	UNITS
Supply Voltage Range	V _{DD}	Guaranteed by PSRR	6		20	V
Quiescent Current	I _{DD}	Per channel		3.7	8	mA
High Output Voltage	V _{OH}	I _H = +5mA, V _{IN} = V _{DD}	V _{DD} - 0.30	V _{DD} - 0.05		V
Low Output Voltage	V _{OL}	I _L = -5mA, V _{IN} = 0		0.05	0.30	V
Input Offset Voltage	V _{OS}	T _A = +25°C	-14	3.5	+14	V
		T _A = -40°C to +125°C	-17		+17	
Load Regulation	LR	I _{OUT} = 0 to -80mA		+0.2		mV/mA
		I _{OUT} = 0 to +80mA		-0.2		
Input Bias Current	I _{FB}	At V _{IN} = 9.5V		0.01	1	μA
Voltage Gain	A _V	A _V = 1V/V, R _L = 10kΩ, C _L = 50pF	0.99		1.01	V/V
Power-Supply Rejection Ratio	PSRR	V _{DD} = 6V to 20V, V _{CM} = V _{OUT} = 3V	70	95		dB
Common-Mode Input Voltage Range	CMVR	Inferred from CMRR test	0.5		V _{DD} - 0.5	V
Common-Mode Rejection Ratio	CMRR	0.5V ≤ V _{CM} ≤ V _{DD} - 0.5V	60	80		dB
Continuous Output Current	I _O	V _{OUT} = 9.5V (Note 2)				mA
			MAX9650AZK+	20		
			MAX9650AUA+	80		
		V _{DD} = 15V, V _{OUT} = 7.5V			±350	
Transient Peak Output Current	I _{PK}	(Note 3)		±1.3		A
Bandwidth	BW	-3dB		35		MHz
Slew Rate	SR	4V step, C _L = 50pF, R _L = 10kΩ, A _V = +1V/V		40		V/μs
Settling Time	t _S	Settling to 0.1% of V _{OUT} , I _L = 0 to 1000mA, R _S = 2.2Ω, C _S = 0.1μF (Figure 1)		2.0		μs

High-Current VCOM Drive Op Amps for TFT LCDs

MAX9650/MAX9651

ELECTRICAL CHARACTERISTICS (continued)

($V_{DD} = 19V$, $V_{GND} = 0$, $V_{CM} = V_{OUT} = V_{DD}/2$, $T_A = T_{MIN}$ to T_{MAX} , unless otherwise noted. Typical values are at $T_A = +25^\circ C$.) (Note 1)

PARAMETER	SYMBOL	CONDITIONS	MIN	TYP	MAX	UNITS
Maximum Load Capacitance	C_{LOAD}	(Note 4)		150		nF
Noninverting Input Resistance	R_{IN+}	(Note 5)		100		$M\Omega$
Inverting Input Resistance	R_{IN-}	(Note 5)		100		$M\Omega$
Input Capacitance	C_{IN}			3		pF
Thermal Shutdown				+170		$^\circ C$
Thermal Shutdown Hysteresis				15		$^\circ C$

Note 1: All devices are 100% production tested at $T_A = +25^\circ C$. All temperature limits are guaranteed by design.

Note 2: Continuous output current is tested with one output at a time.

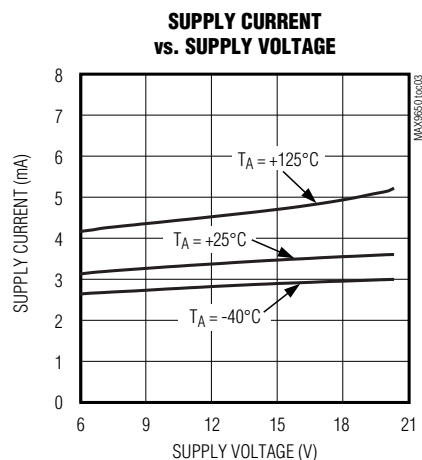
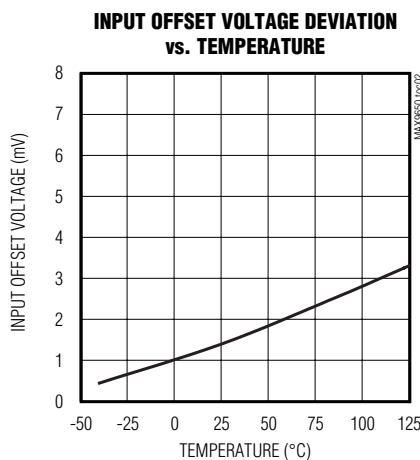
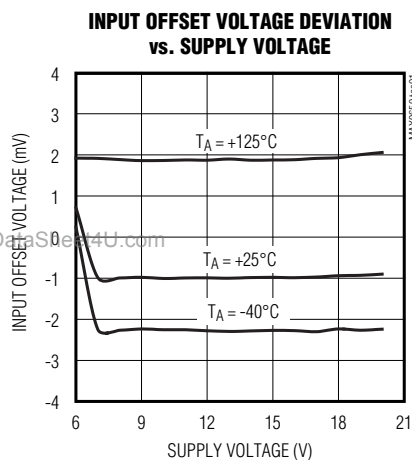
Note 3: See the *Thermal Shutdown with Temperature Hysteresis* section.

Note 4: A series resistor can extend load capacitance range. The settling time can be optimized by a small series resistance. See the *Applications Information* section for more information.

Note 5: Inputs are protected by back-to-back diodes.

Typical Operating Characteristics

($V_{DD} = 19V$, $GND = 0$, $V_{CM} = V_{OUT} = V_{DD}/2$, $T_A = +25^\circ C$, unless otherwise specified.)



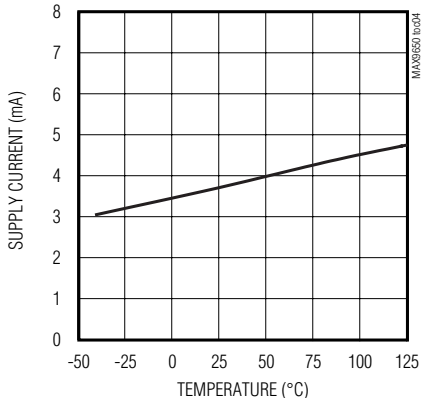
High-Current VCOM Drive Op Amps for TFT LCDs

Typical Operating Characteristics (continued)

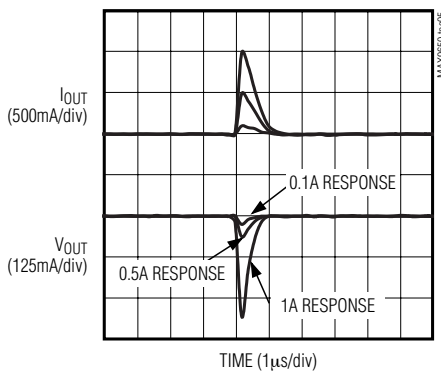
($V_{DD} = 19V$, $GND = 0$, $V_{CM} = V_{OUT} = V_{DD}/2$, $T_A = +25^\circ C$, unless otherwise specified.)

MAX9650/MAX9651

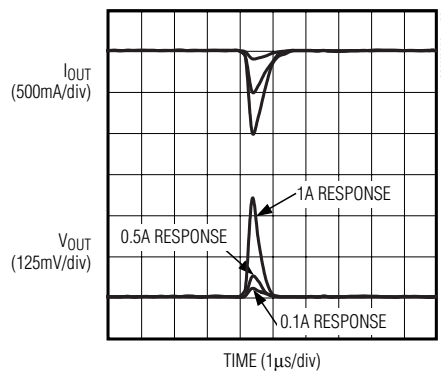
SUPPLY CURRENT vs. TEMPERATURE



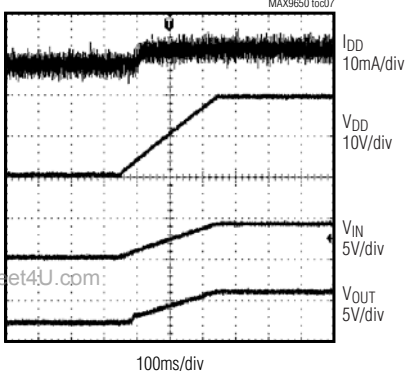
LOAD TRANSIENT SOURCING



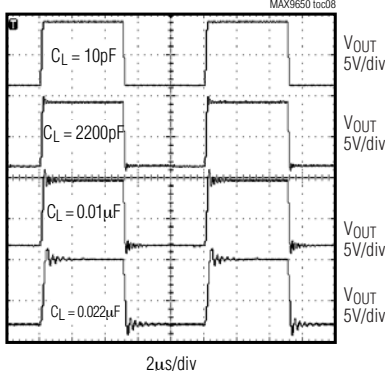
LOAD TRANSIENT SINKING



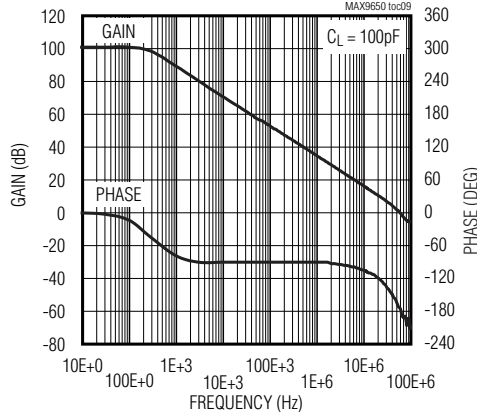
STARTUP WAVEFORM



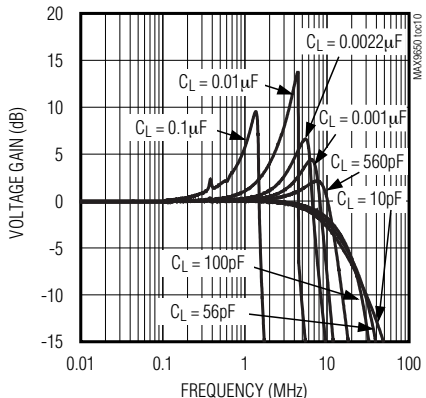
MAX9650 STEP RESPONSE WITH VARIOUS CL



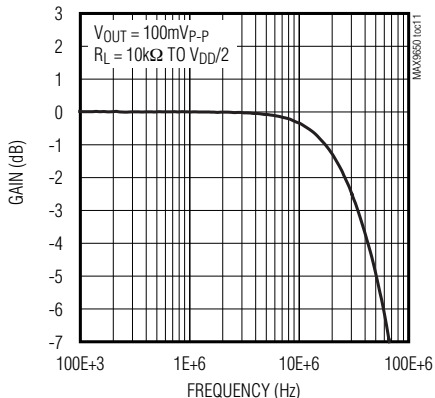
OPEN-LOOP GAIN AND PHASE vs. FREQUENCY



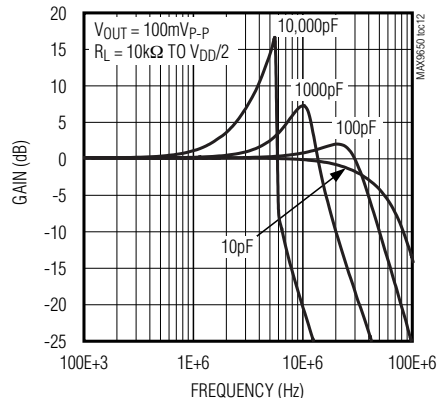
CLOSED-LOOP SMALL-SIGNAL FREQUENCY RESPONSE FOR VARIOUS CL



SMALL-SIGNAL GAIN vs. FREQUENCY



SMALL-SIGNAL GAIN vs. FREQUENCY WITH VARIOUS CL



High-Current VCOM Drive Op Amps for TFT LCDs

Pin Description

PIN		NAME	FUNCTION	
MAX9650				
SOT23	μMAX	MAX9651		
1	6	1	OUTA	VCOM Output A
2	4	4	GND	Ground
3	3	3	INA+	Positive Input A
4	2	2	INA-	Negative Input A
5	7	8	V _{DD}	Positive-Supply Input. Bypass V _{DD} to GND with a 0.1μF capacitor as close as possible to the device.
—	—	5	INB+	Positive Input B
—	—	6	INB-	Negative Input B
—	—	7	OUTB	VCOM Output B
—	1, 5, 8	—	N.C.	No Connection. Not internally connected.
—	—	—	EP	Exposed Pad. EP is internally connected to GND. Connect EP to GND.

MAX9650/MAX9651

Detailed Description

The MAX9650/MAX9651 operational rail-to-rail input/output amplifiers hold the VCOM voltage stable while providing the ability to source and sink a high current quickly (1.3A) into a capacitive load such as the backplane of a TFT-LCD panel.

Thermal Shutdown with Temperature Hysteresis

The MAX9650/MAX9651 are capable of high output currents and feature thermal-shutdown protection with temperature hysteresis. When the die temperature reaches +170°C, the device shuts down. When the die cools down by 15°C, the device turns on again. In a TFT-LCD application, the duty cycle is very low. Even with high values of voltage and current, the power dissipation is low and the chip does not shut down.

Applications Information

Output Load

The MAX9650/MAX9651 are designed to drive capacitive loads. A small value of series resistance improves the performance of the device to ensure stability and fast settling with very large or very small capacitive loads. In many cases, this resistance is already present due to connection resistance in the wiring and no additional physical resistor is necessary.

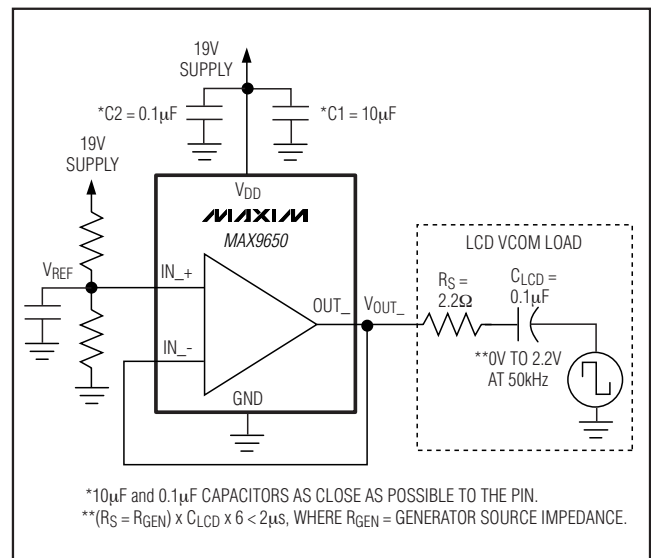


Figure 1. Settling Time Test Circuit

Power Supplies and Bypass Capacitors

The MAX9650/MAX9651 operate from a 6V to 20V single supply or from ±4.5V to ±10V dual supplies. Proper supply bypassing ensures stability while driving high transient loads. The MAX9650/MAX9651 require a minimum 10μF (C1) and 0.1μF (C2) power-supply bypass capacitors placed as close as possible to the power-supply pin

High-Current VCOM Drive Op Amps for TFT LCDs

(V_{DD}). See Figure 2. For dual-supply operation, use 10µF and 0.1µF bypass capacitors on both supplies (V_{DD} and GND) with each capacitor placed as close as possible to V_{DD} and GND.

Layout and Grounding

The exposed pad on the µMAX® and TDFN packages provide a low thermal resistance for heat dissipation. Solder the exposed pad to a ground plane for best thermal performance. Do not route traces under these packages. For dual-supply operation, the exposed pad (EP) can be electrically connected to the negative supply or it can be left unconnected.

Chip Information

PROCESS: BiCMOS

µMAX is a registered trademark of Maxim Integrated Products, Inc.

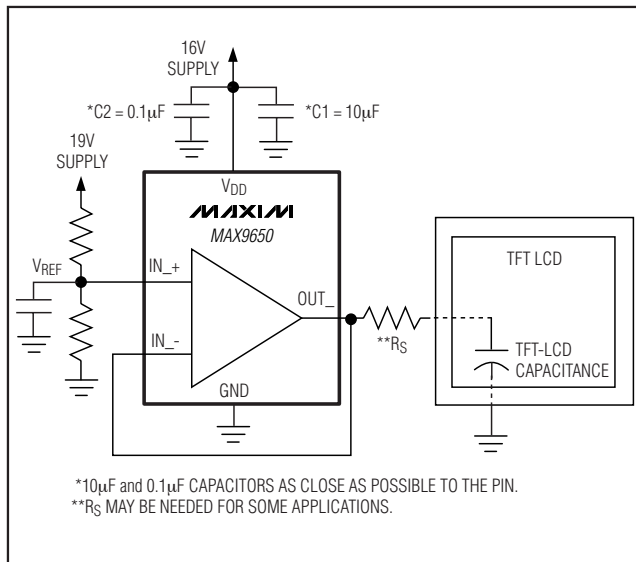
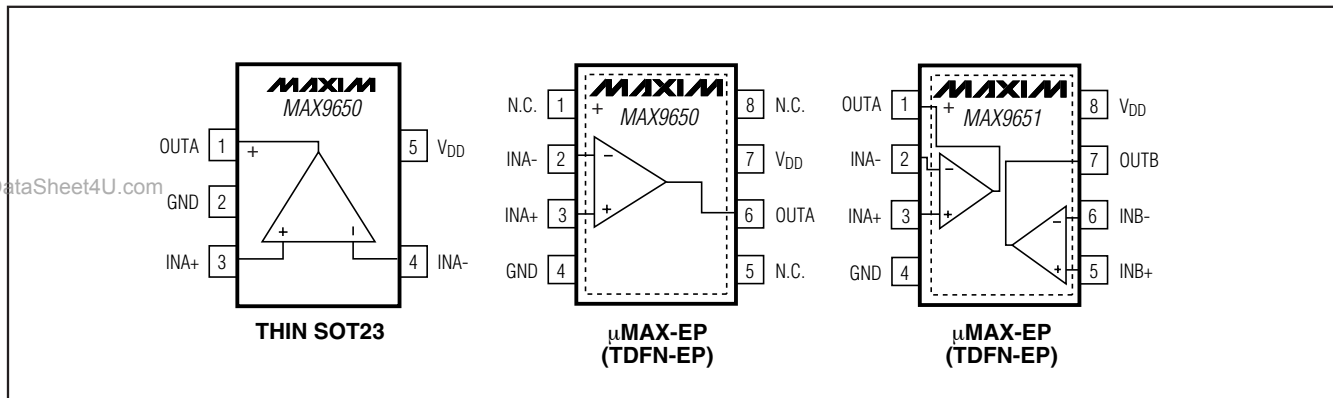


Figure 2. Typical TFT-LCD Backplane Drive Circuit

Pin Configurations



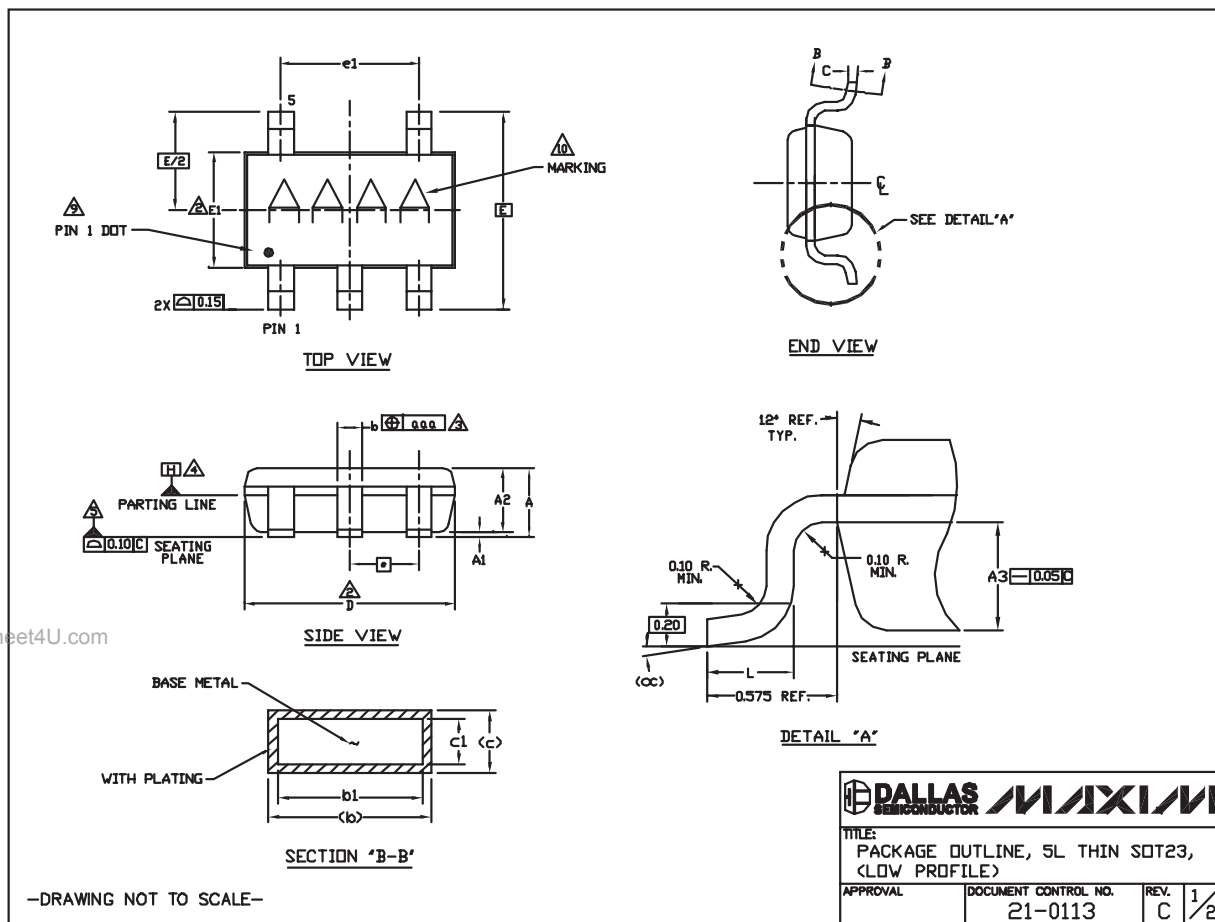
High-Current VCOM Drive Op Amps for TFT LCDs

Package Information

For the latest package outline information and land patterns, go to www.maxim-ic.com/packages.

PACKAGE TYPE	PACKAGE CODE	DOCUMENT NO.
5 SOT23	Z5-2	21-0113
8 μ MAX	U8E-2	21-0107
8 TDFN-EP	T833-2	21-0137

MAX9650/MAX9651



www.DataSheet4U.com

High-Current VCOM Drive Op Amps for TFT LCDs

MAX9650/MAX9651

Package Information (continued)

For the latest package outline information and land patterns, go to www.maxim-ic.com/packages.

NOTES:

1. ALL DIMENSIONS ARE IN MILLIMETERS.
 2. 'D' AND 'E1' ARE REFERENCE DATUM AND DO NOT INCLUDE MOLD FLASH OR PROTRUSIONS, AND ARE MEASURED AT THE BOTTOM PARTING LINE. MOLD FLASH OR PROTRUSION SHALL NOT EXCEED 0.15mm ON 'D' AND 0.25mm ON 'E' PER SIDE.
 3. THE LEAD WIDTH DIMENSION DOES NOT INCLUDE DAMBAR PROTRUSION. ALLOWABLE DAMBAR PROTRUSION SHALL BE 0.07mm TOTAL IN EXCESS OF THE LEAD WIDTH DIMENSION AT MAXIMUM MATERIAL CONDITION.
 4. DATUM PLANE 'H' LOCATED AT MOLD PARTING LINE AND COINCIDENT WITH LEAD, WHERE LEAD EXITS PLASTIC BODY AT THE BOTTOM OF PARTING LINE.
 5. THE LEAD TIPS MUST LIE WITHIN A SPECIFIED TOLERANCE ZONE. THIS TOLERANCE ZONE IS DEFINED BY TWO PARALLEL LINES. ONE PLANE IS THE SEATING PLANE, DATUM [C-C] AND THE OTHER PLANE IS AT THE SPECIFIED DISTANCE FROM [C-C] IN THE DIRECTION INDICATED. FORMED LEADS SHALL BE PLANAR WITH RESPECT TO ONE ANOTHER WITH 0.10mm AT SEATING PLANE.
 6. THIS PART IS COMPLIANT WITH JEDEC SPECIFICATION MO-193 EXCEPT FOR THE 'e' DIMENSION WHICH IS 0.95mm INSTEAD OF 1.00mm. THIS PART IS IN FULL COMPLIANCE TO EIAJ SPECIFICATION SC-74.
 7. COPLANARITY APPLIES TO THE EXPOSED PAD AS WELL AS THE TERMINALS. COPLANARITY SHALL NOT EXCEED 0.08mm.
 8. WARPAGE SHALL NOT EXCEED 0.10mm.
 9. THE TERMINAL #1 IDENTIFIER AND TERMINAL NUMBERING CONVENTION SHALL CONFORM TO JEDEC 95-1 PP-012. DETAILS OF TERMINAL #1 IDENTIFIER ARE OPTIONAL. THE TERMINAL #1 IDENTIFIER MAY BE EITHER A MOLD OR MARKED FEATURE.
 10. MARKING IS FOR PACKAGE ORIENTATION REFERENCE ONLY.
11. ALL DIMENSIONS APPLY TO BOTH LEADED (-) AND LEAD FREE (+) PACKAGE CODES.

SYMBOLS			
	MIN	NDM	MAX
A	-	-	1.10
A1	0.00	0.075	0.10
A2	0.65	0.88	0.90
A3	0.50 BSC		
b	0.30	-	0.45
b1	0.25	0.35	0.40
c	0.15	-	0.20
c1	0.12	0.127	0.15
D	2.80	2.90	3.00
E	2.75 BSC		
E1	1.55	1.60	1.65
L	0.30	0.40	0.50
e1	1.90 BSC		
e	0.95 BSC		
OC	0°	4°	8°
aaa	0.20		
Pkg. codes: Z5-1, Z5-2			

www.DataSheet4U.com

-DRAWING NOT TO SCALE-

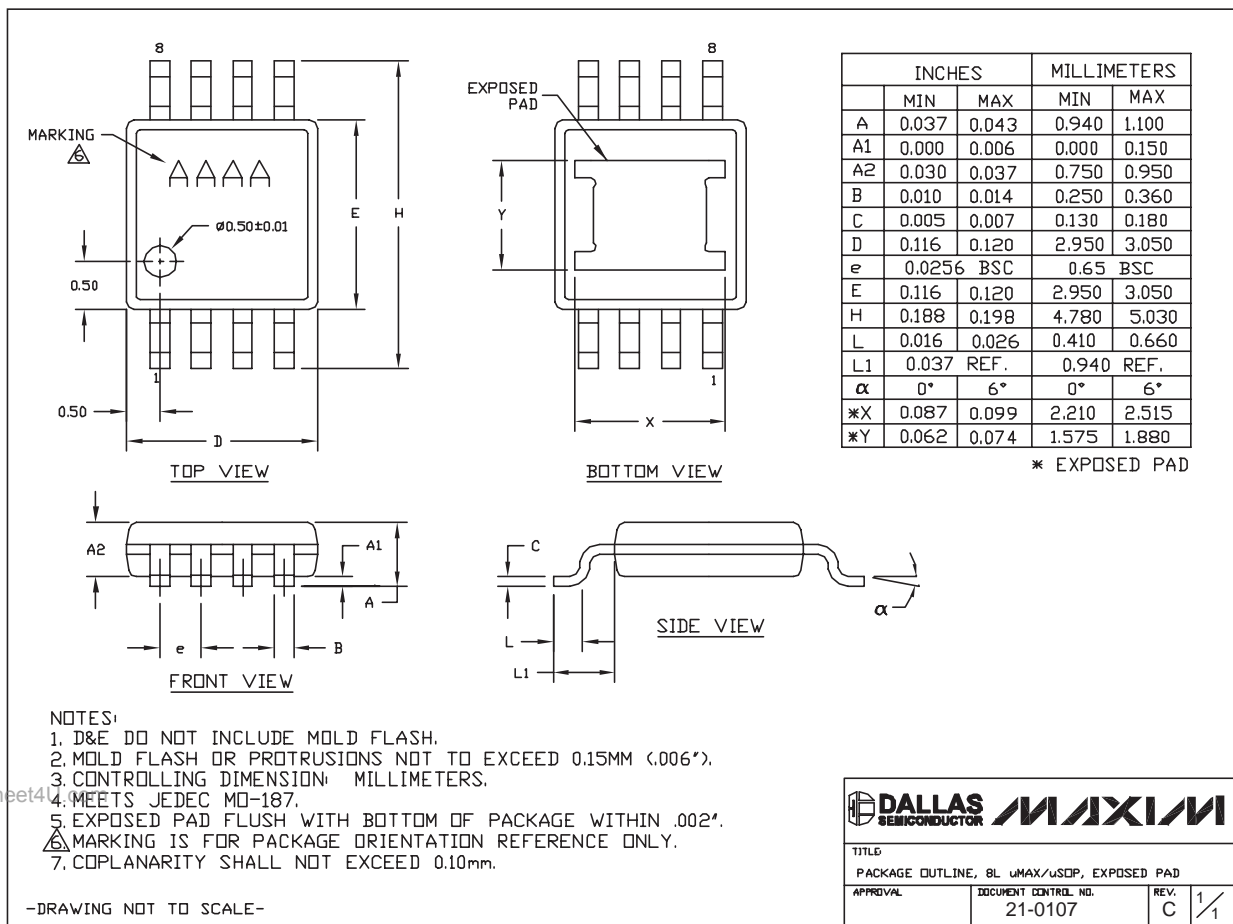
TITLE: PACKAGE OUTLINE, 5L THIN SOT23, (LOW PROFILE)		
APPROVAL	DOCUMENT CONTROL NO.	REV.
	21-0113	C 2/2

High-Current VCOM Drive Op Amps for TFT LCDs

Package Information (continued)

For the latest package outline information and land patterns, go to www.maxim-ic.com/packages.

MAX9650/MAX9651

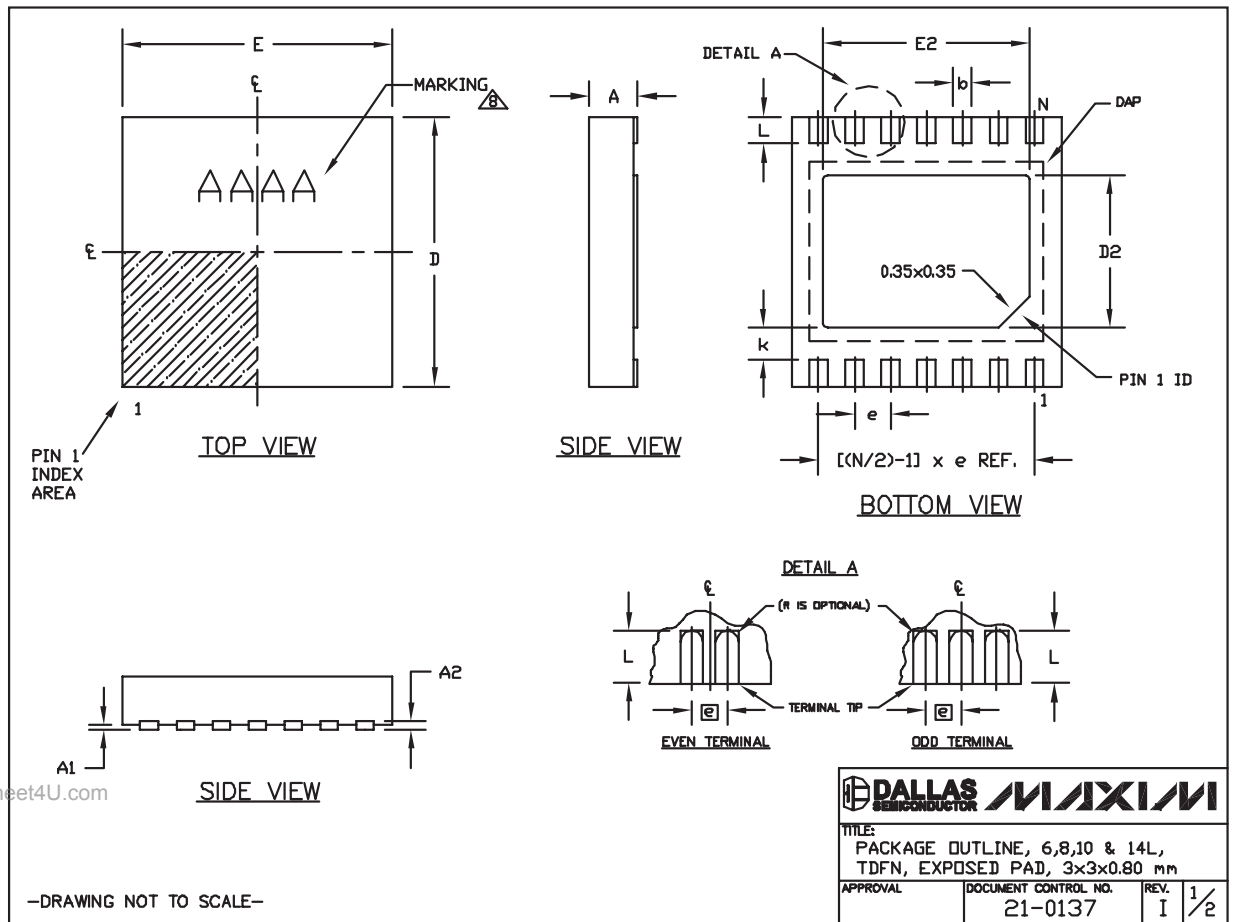


High-Current VCOM Drive Op Amps for TFT LCDs

MAX9650/MAX9651

Package Information (continued)

For the latest package outline information and land patterns, go to www.maxim-ic.com/packages.



High-Current VCOM Drive Op Amps for TFT LCDs

Package Information (continued)

For the latest package outline information and land patterns, go to www.maxim-ic.com/packages.

MAX9650/MAX9651


COMMON DIMENSIONS			PACKAGE VARIATIONS								
SYMBOL	MIN.	MAX.	PKG. CODE	N	D2	E2	e	JEDEC SPEC	b	[(N/2)-1] x e	
A	0.70	0.80	T633-2	6	1.50±0.10	2.30±0.10	0.95 BSC	MO229 / WEEA	0.40±0.05	1.90 REF	
D	2.90	3.10	T833-2	8	1.50±0.10	2.30±0.10	0.65 BSC	MO229 / WEEC	0.30±0.05	1.95 REF	
E	2.90	3.10	T833-3	8	1.50±0.10	2.30±0.10	0.65 BSC	MO229 / WEEC	0.30±0.05	1.95 REF	
A1	0.00	0.05	T1033-1	10	1.50±0.10	2.30±0.10	0.50 BSC	MO229 / WEED-3	0.25±0.05	2.00 REF	
L	0.20	0.40	T1033-2	10	1.50±0.10	2.30±0.10	0.50 BSC	MO229 / WEED-3	0.25±0.05	2.00 REF	
k	0.25 MIN.		T1433-1	14	1.70±0.10	2.30±0.10	0.40 BSC	----	0.20±0.05	2.40 REF	
A2	0.20 REF.		T1433-2	14	1.70±0.10	2.30±0.10	0.40 BSC	----	0.20±0.05	2.40 REF	

NOTES:

1. ALL DIMENSIONS ARE IN mm. ANGLES IN DEGREES.
2. COPLANARITY SHALL NOT EXCEED 0.08 mm.
3. WARPAGE SHALL NOT EXCEED 0.10 mm.
4. PACKAGE LENGTH/PACKAGE WIDTH ARE CONSIDERED AS SPECIAL CHARACTERISTIC(S).
5. DRAWING CONFORMS TO JEDEC MO229, EXCEPT DIMENSIONS "D2" AND "E2", AND T1433-1 & T1433-2.
6. "N" IS THE TOTAL NUMBER OF LEADS.
7. NUMBER OF LEADS SHOWN ARE FOR REFERENCE ONLY.

⚠ MARKING IS FOR PACKAGE ORIENTATION REFERENCE ONLY.

www.DataSheet4U.com

		
TITLE: PACKAGE OUTLINE, 6,8,10 & 14L, TDFN, EXPOSED PAD, 3x3x0.80 mm		
APPROVAL	DOCUMENT CONTROL NO.	REV.
	21-0137	I 2/2

—DRAWING NOT TO SCALE—

High-Current VCOM Drive Op Amps for TFT LCDs

Revision History

REVISION NUMBER	REVISION DATE	DESCRIPTION	PAGES CHANGED
0	7/08	Initial release	—
1	10/08	Updated slew rate and added TDFN-EP package	1, 2, 6, 10, 11
2	5/09	Updated continuous output current specification	2

MAX9650/MAX9651

Maxim cannot assume responsibility for use of any circuitry other than circuitry entirely embodied in a Maxim product. No circuit patent licenses are implied. Maxim reserves the right to change the circuitry and specifications without notice at any time.

12 **Maxim Integrated Products, 120 San Gabriel Drive, Sunnyvale, CA 94086 408-737-7600**