

Silicon NPN Power Transistors

2SC2841

DESCRIPTION

- With TO-3PN package
- High speed switching
- High V_{CBO}
- Low collector saturation voltage

APPLICATIONS

- For high speed switching applications

PINNING

PIN	DESCRIPTION
1	Base
2	Collector;connected to mounting base
3	Emitter

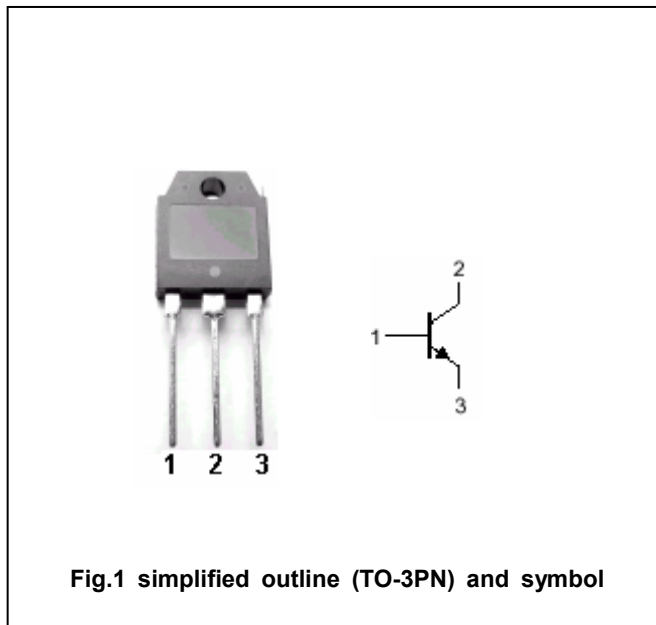


Fig.1 simplified outline (TO-3PN) and symbol

ABSOLUTE MAXIMUM RATINGS($T_a=25^\circ C$)

SYMBOL	PARAMETER	CONDITIONS	VALUE	UNIT
V_{CBO}	Collector-base voltage	Open emitter	500	V
V_{CEO}	Collector-emitter voltage	Open base	400	V
V_{EBO}	Emitter-base voltage	Open collector	7	V
I_C	Collector current (DC)		7	A
I_{CM}	Collector current-peak		15	A
P_C	Collector power dissipation	$T_C=25^\circ C$	70	W
T_j	Junction temperature		150	$^\circ C$
T_{stg}	Storage temperature		-55~150	$^\circ C$

Silicon NPN Power Transistors

2SC2841

CHARACTERISTICS

T_j=25°C unless otherwise specified

SYMBOL	PARAMETER	CONDITIONS	MIN	TYP.	MAX	UNIT
V _{CEO(SUS)}	Collector-emitter sustaining voltage	I _C =0.2A ; L=25mH	400			V
V _{CE(sat)}	Collector-emitter saturation voltage	I _C =3A ; I _B =0.6A			1.0	V
V _{BE(sat)}	Base-emitter saturation voltage	I _C =3A ; I _B =0.6A			1.5	V
I _{CBO}	Collector cut-off current	V _{CB} =500V; I _E =0			0.1	mA
I _{EBO}	Emitter cut-off current	V _{EB} =5V; I _C =0			0.1	mA
h _{FE-1}	DC current gain	I _C =0.1A ; V _{CE} =5V	15			
h _{FE-2}	DC current gain	I _C =3A ; V _{CE} =5V	8			
f _T	Transition frequency	I _C =0.5A ; V _{CE} =10V		11		MHz

Switching times

t _{on}	Turn-on time	I _C =3.0A; V _{CC} =100V I _{B1} =0.6A, I _{B2} =-0.6A			1.0	μs
t _s	Storage time				3.0	μs
t _f	Fall time				1.0	μs

Silicon NPN Power Transistors

2SC2841

PACKAGE OUTLINE

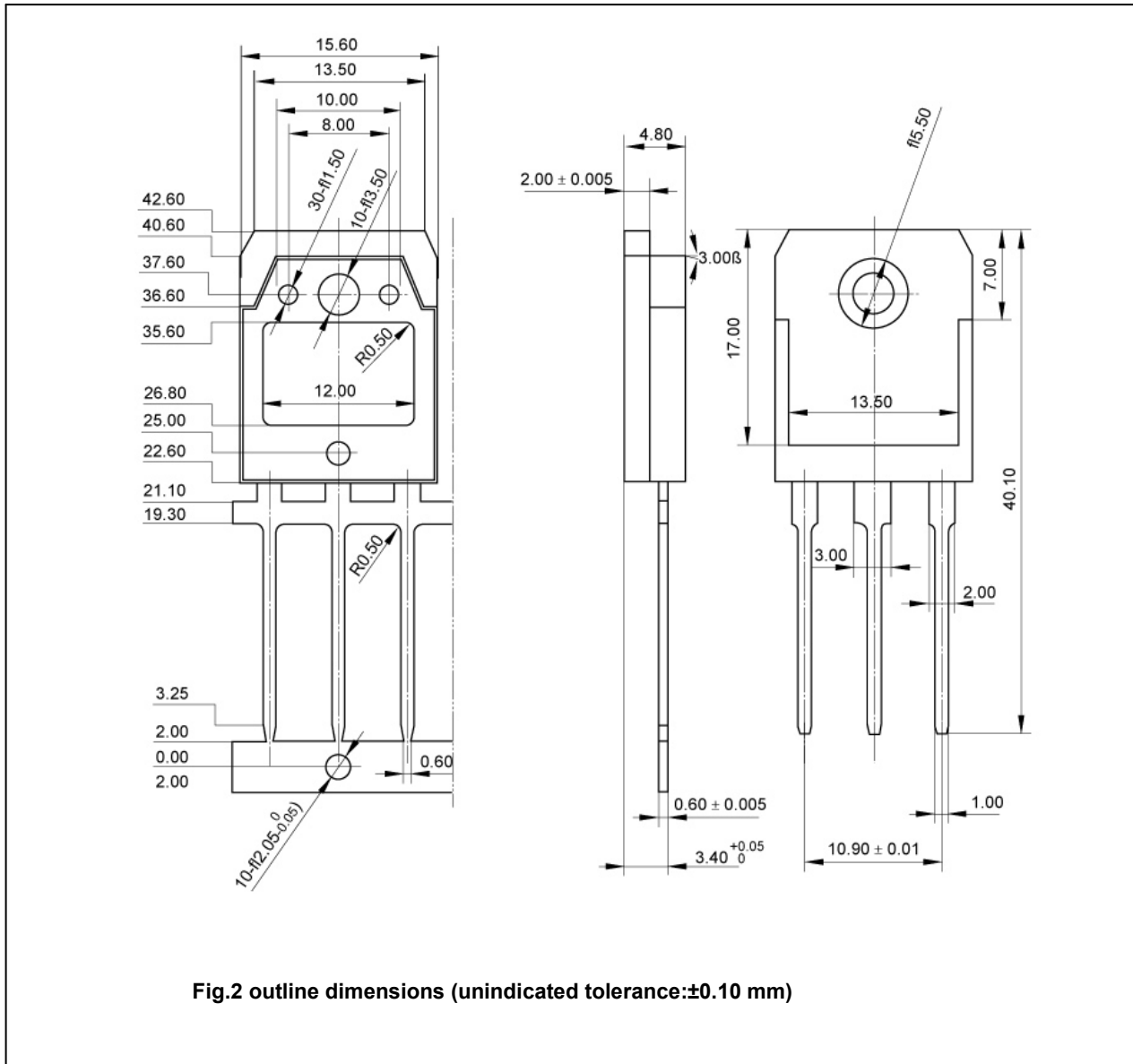


Fig.2 outline dimensions (unindicated tolerance:±0.10 mm)