

Data sheet: Safety Isolating Transformers Type AVC

Description : Safety isolating transformer constructed and tested according to VDE 0570/EN 61 558, UL 506, CSA 22.2

Approvals : According to table

Test voltage PRI - SEC 5000 V, 50 Hz

Short-circuit protection : non-short-circuit proof

Construction : Open design, potted in insulation housing

Safety class : Prepared for class II equipment

Protection index : Connections IP 00
Housing IP 65

Max ambient temperature : According to table

Insulation class of the insulation system : VDE (B= 130°C) ; UL+CSA Class 105 (A=105°C)

Input voltage : 2 x 115V

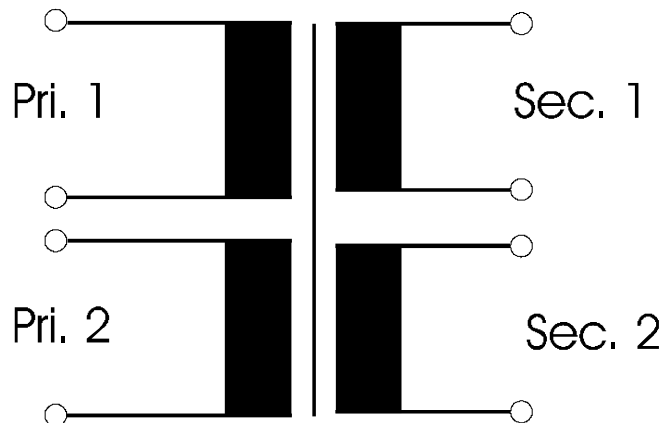
Frequency : 50 - 60 Hz

Output voltage : According to table

Connections : Soldering pins for printed circuit board mounting

Packing : Separately packed in cartons

Schematic plan :



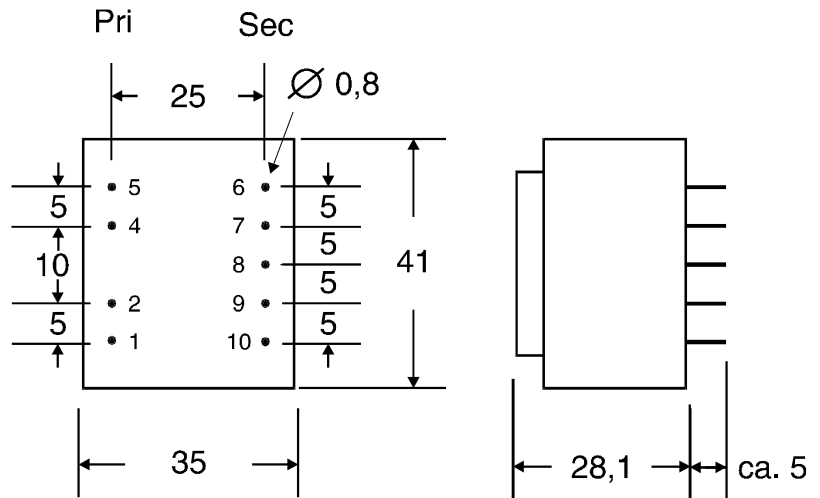
 These AVC type resin moulded safety isolating transformers,
 are non-short-circuit proof transformers for PCB mounting.
 The dual input and output windings are for series or parallel connection.

Note :

- * vacuum epoxy resin moulded (self-extinguishing to UL 94 V0)
- * 100% tested
- * Two chamber bobbin construction

Output power 3,2 VA Core-type EI 38/13,5
 Height 28,1 mm Weight 150g
 Ground area 41 mm x 35 mm

Type	SEC rated output-voltage V	current A	Approvals
AVC 3,2/2/6	2x6	2x0,266	1
AVC 3,2/2/8	2x8	2x0,20	1
AVC 3,2/2/9	2x9	2x0,177	1
AVC 3,2/2/12	2x12	2x0,133	1
AVC 3,2/2/15	2x15	2x0,106	1
AVC 3,2/2/18*	2x18	2x0,088	1
AVC 3,2/2/24*	2x24	2x0,066	1



according to VDE 0570/EN 61 558 -1 : 1997 with part 2-6
 *according to VDE 0570/EN 61 558 -1 : 1997 with part 2-1

Pinning:

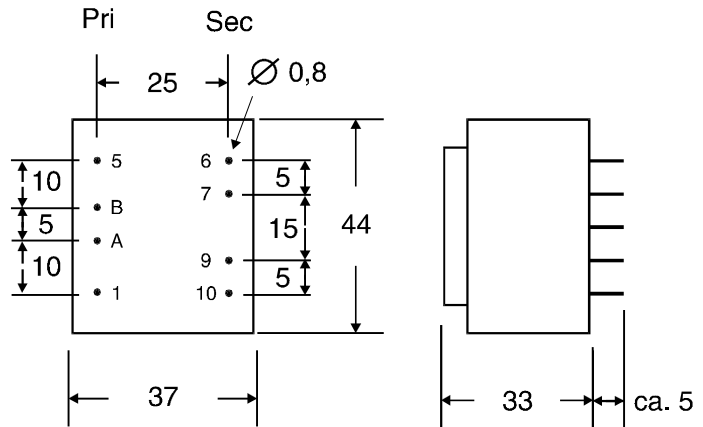
Input: 2 x 115V... (1-2) and (4-5)
 Output (10-9) and (7-6) pin 8 fitted but not connected.

No load output voltage x Factor = typ. 1,5
 Core Losses typ. 0,8 W
 Efficiency typ. 60 %
 Ambient Temperature (ta) +60°C

Approvals 
 (1)

Height 33 mm Weight 190g
 Ground area 44 mm x 37 mm

Type	SEC rated output-		Approvals
	voltage V	current A	
AVC 5,0/2/6	2x6	2x0,416	1
AVC 5,0/2/8	2x8	2x0,312	1
AVC 5,0/2/9	2x9	2x0,277	1
AVC 5,0/2/12	2x12	2x0,208	1
AVC 5,0/2/15	2x15	2x0,166	1
AVC 5,0/2/18	2x18	2x0,138	1
AVC 5,0/2/24*	2x24	2x0,104	1



according to VDE 0570/EN 61 558 -1 : 1997 with part 2-6
 *according to VDE 0570/EN 61 558 -1 : 1997 with part 2-1

Pinning:

Input: 2 x 115V... (1-A) and (B-5)
 Output..... (10-9) and (7-6).

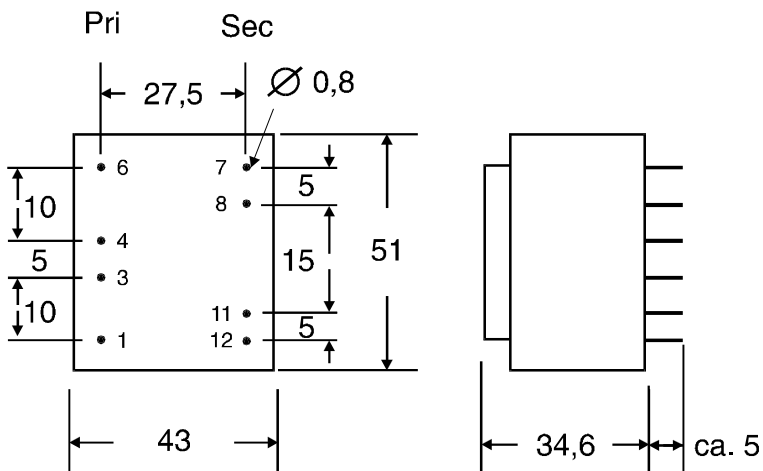
No load output voltage x Factor = typ. 1,25
 Core Losses typ. 1,2 W
 Efficiency typ. 68 %
 Ambient Temperature (ta) +50°C

Approvals **CE** **UL**
 (1)

Height 34,6 mm Weight 280g

Ground area 51 mm x 43 mm

Type	SEC rated output-		Approvals
	voltage V	current A	
AVC 10/2/6	2x6	2x0,833	1
AVC 10/2/8	2x8	2x0,625	1
AVC 10/2/9	2x9	2x0,555	1
AVC 10/2/12	2x12	2x0,416	1
AVC 10/2/15	2x15	2x0,333	1
AVC 10/2/18	2x18	2x0,277	1
AVC 10/2/24*	2x24	2x0,208	1



according to VDE 0570/EN 61 558 -1 : 1997 with part 2-6
 *according to VDE 0570/EN 61 558 -1 : 1997 with part 2-1

Pinning:

Input: 2 x 115V... (1-3) and (4-6)

Output..... (12-11) and (8-7).

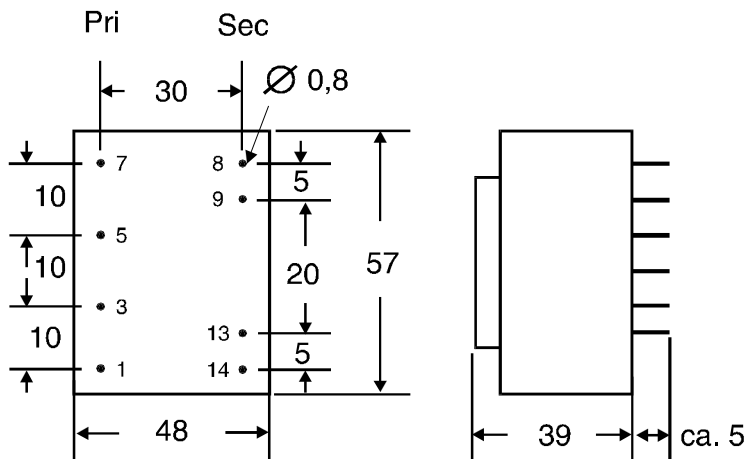
No load output voltage x Factor = typ. 1,22
 Core Losses typ. 1,3 W
 Efficiency typ. 74 %
 Ambient Temperature (ta) +40°C

Approvals



Height 39 mm Weight 420g
 Ground area 57 mm x 48 mm

Type	SEC rated output-		Approvals
	voltage V	current A	
AVC 16/2/6	2x6	2x1,33	1
AVC 16/2/8	2x8	2x1,00	1
AVC 16/2/9	2x9	2x0,88	1
AVC 16/2/12	2x12	2x0,66	1
AVC 16/2/15	2x15	2x0,53	1
AVC 16/2/18	2x18	2x0,44	1
AVC 16/2/24*	2x24	2x0,33	1



according to VDE 0570/EN 61 558 -1 : 1997 with part 2-6
 *according to VDE 0570/EN 61 558 -1 : 1997 with part 2-1

Pinning:

Input: 2 x 115V... (1-3) and (5-7)
 Output..... (9-8) and (14-13).

No load output voltage x Factor = typ. 1,25
 Core Losses typ. 1,25 W
 Efficiency typ. 76 %
 Ambient Temperature (ta) +40°C

Approvals  (1)