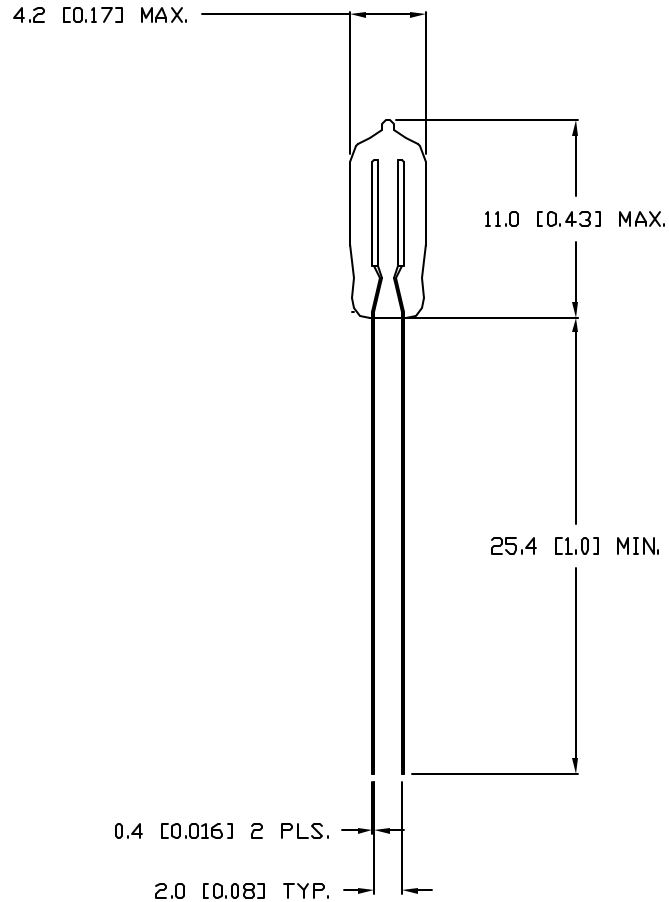


UNCONTROLLED DOCUMENT

PART NUMBER
GT-NE4H1125

REV.
A

REV.	E.C.N. NUMBER AND REVISION COMMENTS	DATE
A	E.C.N. #11148.	12.13.06



ELECTRO-OPTICAL CHARACTERISTICS

PARAMETER	MIN	TYP	MAX	UNITS
OPERATING VOLTAGE	90		115	VOLT
STARTING VOLTAGE (AC)			65	VOLT
STARTING VOLTAGE (DC)			95	VOLT
OPERATING CURRENT		0.3		mA
LIGHT OUTPUT		20		mLM
LIFE HOURS		20,000		HOURS

NOTES

- EXTERNAL RESISTOR VALUE 150K OHMS
- LEAD LENGTH 25mm MIN.
- LEAD SPACING 2mm TYP
- LEAD FINISH UNTINNED (UT) OR TINNED (T).



UNCONTROLLED DOCUMENT

*UNLESS OTHERWISE SPECIFIED TOLERANCES PER DECIMAL PRECISION ARE: X=±1 (±0.038), XX=±0.5 (±0.020), XXX=±0.25 (±0.010), XXXX=±0.127 (±0.005). LEAD SIZE=±0.05 (±0.002), LEAD LENGTH=±0.75 (±0.030). MIN= +DECIMAL PRECISION -0.00 MAX= +0.00 -DECIMAL PRECISION

REV. A	PART NUMBER GT-NE4H1125	<p>CONFIDENTIAL INFORMATION</p> <p>THE INFORMATION CONTAINED IN THIS DOCUMENT IS THE PROPERTY OF LUMEX INC. EXCEPT AS SPECIFICALLY AUTHORIZED IN WRITING BY LUMEX INC., THE HOLDER OF THIS DOCUMENT SHALL KEEP ALL INFORMATION CONTAINED HEREIN CONFIDENTIAL AND SHALL PROTECT SAME IN WHOLE OR IN PART FROM DISCLOSURE AND DISSEMINATION TO ALL THIRD PARTIES.</p> <p>RELIABILITY NOTE</p> <p>OUR MANY YEARS OF EXPERIENCE DATA ACCUMULATION INDICATE THAT SOLDER HEAT IS A MAJOR CAUSE OF EARLY AND FUTURE FAILURE. PLEASE PAY ATTENTION TO YOUR SOLDERING PROCESS.</p>	<p>290 E. HELEN ROAD PALATINE, IL 60067-6976 PHONE: +1.847.359.2790 US WEB: www.lumex.com TW WEB: www.lumex.com.tw</p>
NEON LAMP, T-4mm HIGH BRIGHTNESS.		DRAWN BY: jc CHECKED BY: APPROVED BY:	DATE: 12.13.06 PAGE: 1 OF 1 SCALE: N/A