



US Patent #7,160,004 #7,604,384 others pending

90mm LED Headlamps

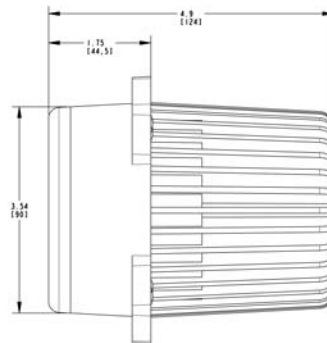
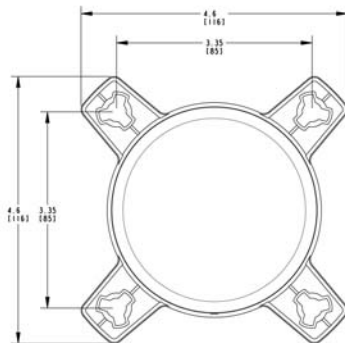
Certifications & Ratings:

- ▷ SAE / DOT Compliant
- ▷ FMVSS108 Visual Aim

Features & Benefits:

- ▷ 7 year limited warranty
- ▷ Expected life >10 Years
- ▷ No frequent relamping
- ▷ Protection against over-voltage / surge / spikes
- ▷ Less prone to alignment errors
- ▷ Wide beam pattern
- ▷ Industry first reflector based design
- ▷ Weatherproof design

Part Numbers	Description
HLC324CB	90mm LED low beam
HLB324CB	90mm LED high beam



Application:

Dialight's new SAE/DOT FMVSS108 Compliant 90mm LED headlamp is designed for mass transit vehicles. With its dual voltage capabilities (12 and 24V), it will easily replace any 90mm halogen / HID light in the market as a retrofit without any need for retooling.

All of Dialight's long life LED luminaires are designed to meet the most demanding specification criteria while offering maximum energy savings, reduced maintenance costs, and a superior quality of light.

Dialight 90mm LED headlights have been tested and approved to the FMVSS108 requirement by InterTek-ETL.

Electrical specifications

Operating Voltage:	12V and 24V Dual Voltage System
Power Consumption Low Beam:	< 14 Watts 1.1A @ 12.8V .58A @ 24V
Power Consumption High Beam:	< 21 Watts 1.6A @ 12.8V .9A @ 24V

Material

Housing:	Black aluminum alloy diecast Radial fins Adjustment tabs
Lens:	Hard coated polycarbonate lens
Reflectors:	Metalized reflectors

Dialight reserves the right to make changes at any time in order to supply the best product possible.

The most current version of this document will always be available at:

http://www.dialight.com/Assets/Brochures_And_Catalogs/Signaling/MDTBLBHX001.pdf

MDTBLBHX001_B