

**64M-Bit (4Mx16) CMOS MASK ROM**

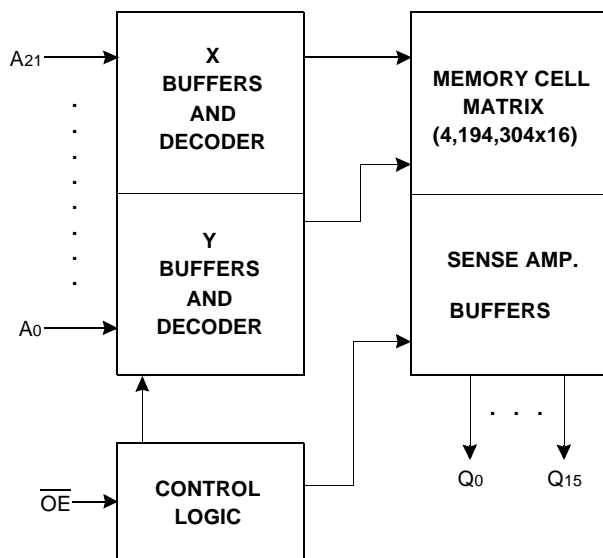
**FEATURES**

- 4,194,304 x 16 bit organization
- Fast access time :  
 100ns(Max.) : CL=50pF  
 120ns(Max.) : CL=100pF
- Supply voltage : single +5V
- Current consumption  
 Operating : 70mA(Max.)
- Fully static operation
- All inputs and outputs TTL compatible
- Three state outputs
- Package  
 -. K3N7C4000B-DC : 42-DIP-600

**GENERAL DESCRIPTION**

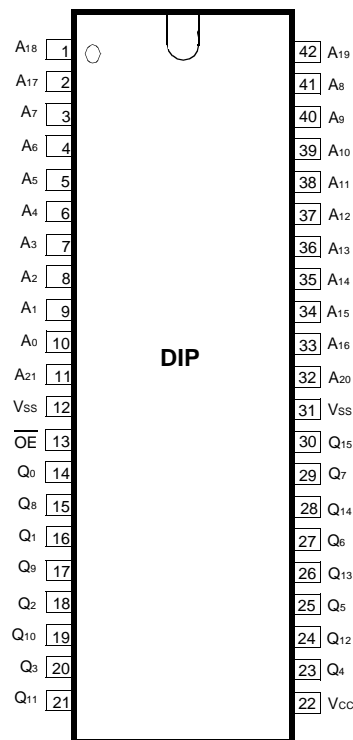
The K3N7C4000B-DC is a fully static mask programmable ROM organized 4,194,304 x 16 bit. It is fabricated using silicon-gate CMOS process technology. This device operates with a 5V single power supply, and all inputs and outputs are TTL compatible. Because of its asynchronous operation, it requires no external clock assuring extremely easy operation. It is suitable for use in program memory of microprocessor and data memory, character generator. The K3N7C4000B-DC is packaged in a 42-DIP.

**FUNCTIONAL BLOCK DIAGRAM**



Pin Name	Pin Function
A <sub>0</sub> - A <sub>21</sub>	Address Inputs
Q <sub>0</sub> - Q <sub>15</sub>	Data Outputs
$\overline{OE}$	Output Enable
V <sub>cc</sub>	Power (+5V)
V <sub>ss</sub>	Ground

**PIN CONFIGURATION**



**K3N7C4000B-DC**

**ABSOLUTE MAXIMUM RATINGS**

Item	Symbol	Rating	Unit
Voltage on Any Pin Relative to Vss	V <sub>IN</sub>	-0.3 to +7.0	V
Temperature Under Bias	T <sub>BIAS</sub>	-10 to +85	°C
Storage Temperature	T <sub>STG</sub>	-55 to +150	°C

**NOTE** : Permanent device damage may occur if "ABSOLUTE MAXIMUM RATINGS" are exceeded. Functional operation should be restricted to the conditions as detailed in the operational sections of this data sheet. Exposure to absolute maximum rating conditions for extended periods may affect device reliability.

**RECOMMENDED OPERATING CONDITIONS**(Voltage reference to V<sub>ss</sub>, T<sub>A</sub>=0 to 70°C)

Item	Symbol	Min	Typ	Max	Unit
Supply Voltage	V <sub>CC</sub>	4.5	5.0	5.5	V
Supply Voltage	V <sub>SS</sub>	0	0	0	V

**DC CHARACTERISTICS**

Parameter	Symbol	Test Conditions	Min	Max	Unit
Operating Current	I <sub>CC</sub>	Cycle=5MHz, all outputs open OE=V <sub>IL</sub> , V <sub>IN</sub> =0.6V to 2.4V (AC Test Condition)	-	70	mA
Input Leakage Current	I <sub>LI</sub>	V <sub>IN</sub> =0 to V <sub>CC</sub>	-	10	μA
Output Leakage Current	I <sub>LO</sub>	V <sub>OUT</sub> =0 to V <sub>CC</sub>	-	10	μA
Input High Voltage, All Inputs	V <sub>IH</sub>		2.2	V <sub>CC</sub> +0.3	V
Input Low Voltage, All Inputs	V <sub>IL</sub>		-0.3	0.8	V
Output High Voltage Level	V <sub>OH</sub>	I <sub>OH</sub> =-400μA	2.4	-	V
Output Low Voltage Level	V <sub>OL</sub>	I <sub>OL</sub> =2.1mA	-	0.4	V

**NOTE** : Minimum DC Voltage(V<sub>IL</sub>) is -0.3V on input pins. During transitions, this level may undershoot to -2.0V for periods <20ns.  
Maximum DC voltage on input pins(V<sub>IH</sub>) is V<sub>CC</sub>+0.3V which, during transitions, may overshoot to V<sub>CC</sub>+2.0V for periods <20ns.

**MODE SELECTION**

OE	Mode	Data	Power
H	Operating	High-Z	Active
L	Operating	Dout	Active

**CAPACITANCE**(T<sub>A</sub>=25°C, f=1.0MHz)

Item	Symbol	Test Conditions	Min	Max	Unit
Output Capacitance	C <sub>OUT</sub>	V <sub>OUT</sub> =0V	-	12	pF
Input Capacitance	C <sub>IN</sub>	V <sub>IN</sub> =0V	-	12	pF

**NOTE** : Capacitance is periodically sampled and not 100% tested.

## AC CHARACTERISTICS ( $T_A=0^{\circ}\text{C}$ to $+70^{\circ}\text{C}$ , $V_{CC}=5\text{V}\pm 10\%$ , unless otherwise noted.)

### TEST CONDITIONS

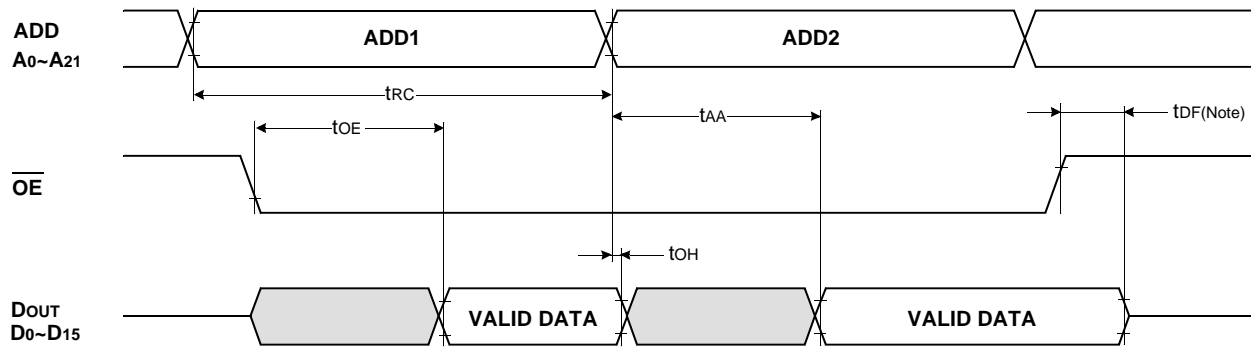
Item	Value
Input Pulse Levels	0.6V to 2.4V
Input Rise and Fall Times	10ns
Input and Output timing Levels	0.8V and 2.0V
Output Loads	1 TTL Gate and $C_L=50\text{pF}$ or $100\text{pF}$

### READ CYCLE

Item	Symbol	K3N7C4000B-DC10 ( $C_L=50\text{pF}$ )		K3N7C4000B-DC12 ( $C_L=100\text{pF}$ )		K3N4C1000B-DC15 ( $C_L=100\text{pF}$ )		Unit
		Min	Max	Min	Max	Min	Max	
Read Cycle Time	t <sub>RC</sub>	100		120		150		ns
Address Access Time	t <sub>AA</sub>		100		120		150	ns
Output Enable Access Time	t <sub>OE</sub>		50		60		70	ns
Output or Chip Disable to Output High-Z	t <sub>DF</sub>		20		20		30	ns
Output Hold from Address Change	t <sub>OH</sub>	0		0		0		ns

### TIMING DIAGRAM

#### READ



**NOTE :** t<sub>DF</sub> is defined as the time at which the outputs achieve the open circuit condition and is not referenced to V<sub>OH</sub> or V<sub>OL</sub> level.