



Features

- ◇ For IF SAW filter
- ◇ High attenuation
- ◇ Single-ended operation
- ◇ Dual In-line Package
- ◇ RoHS compliant (2002/95/EC), Pb-free

Specifications

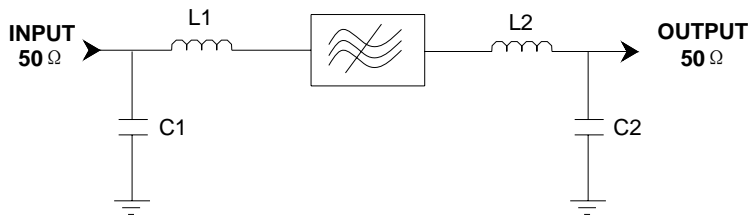
| Parameter | Unit | Minimum | Typical | Maximum |
|--|---|---------|---------|---------|
| Center Frequency | MHz | 249.8 | 250 | 250.2 |
| Insertion Loss | dB | - | 22.2 | 25.5 |
| 1 dB Bandwidth | MHz | 7.3 | 7.95 | - |
| 3 dB Bandwidth | MHz | 8 | 8.41 | - |
| 40 dB Bandwidth | MHz | - | 10.14 | 10.6 |
| 50 dB Bandwidth | MHz | - | 10.3 | 11 |
| Passband Variation | dB | - | 0.8 | 1 |
| Phase Linearity($f_0 \pm 4\text{MHz}$) | deg | - | 8 | 10 |
| Group Delay Variation($f_0 \pm 4\text{MHz}$) | nsec | - | 50 | 210 |
| Absolute Delay | usec | - | 2.1 | - |
| Ultimate Rejection | dB | 50 | 57 | - |
| Material Temperature coefficient | KHz/°C | -4.5 | | |
| Substrate Material | - | 112LT | | |
| Ambient Temperature | °C | 25 | | |
| Operating Temperature Range | °C | -40 | - | +85 |
| DC Voltage | V | 0 | | |
| Input Power | dBm | - | - | 10 |
| ESD Class | - | 1A | | |
| Package Size | DIP2212 (22.2x12.8x4.7mm ³) | | | |

Notes:

1. All specifications are based on the test circuit shown;
2. In production, all specifications are measured by Agilent Network analyzer and full 2 port calibration at room temperature;
3. Electrical margin has been built into the design to account for the variations due to temperature drift and manufacturing tolerances;
4. This is the optimum impedance in order to achieve the performance show.

| | | | | |
|--|--|-------------|------------|----------|
| | SIPAT Co., Ltd. (CETC No.26 Research Institute) #14 Nanping Huayuan Road, Chongqing, China, 400060 | Part Number | LBT25003 | |
| | | Rev. Date | 2010-04-07 | |
| | | Ver. | 1.0 | Page 1/3 |

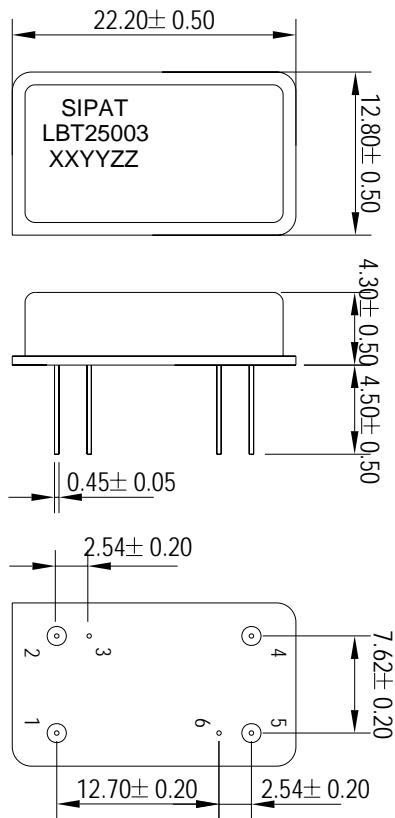
Matching Configuration



L1=5nH L2=10nH
C1=C2=22pF
Source/Load Impedance=50 ohm

Notes - Component values may change depending on board layout.

Package Dimension



Pad Configuration:

Input 1
Output 5
Ground All Others

Marking Configuration:

- 1) SIPAT: Manufacturer Name
- 2) LBT25003: Part Number
- 3) XXYY: Date(Year/month)
- 4) ZZ: Identified Code

Package: DIP2212

Unit: mm

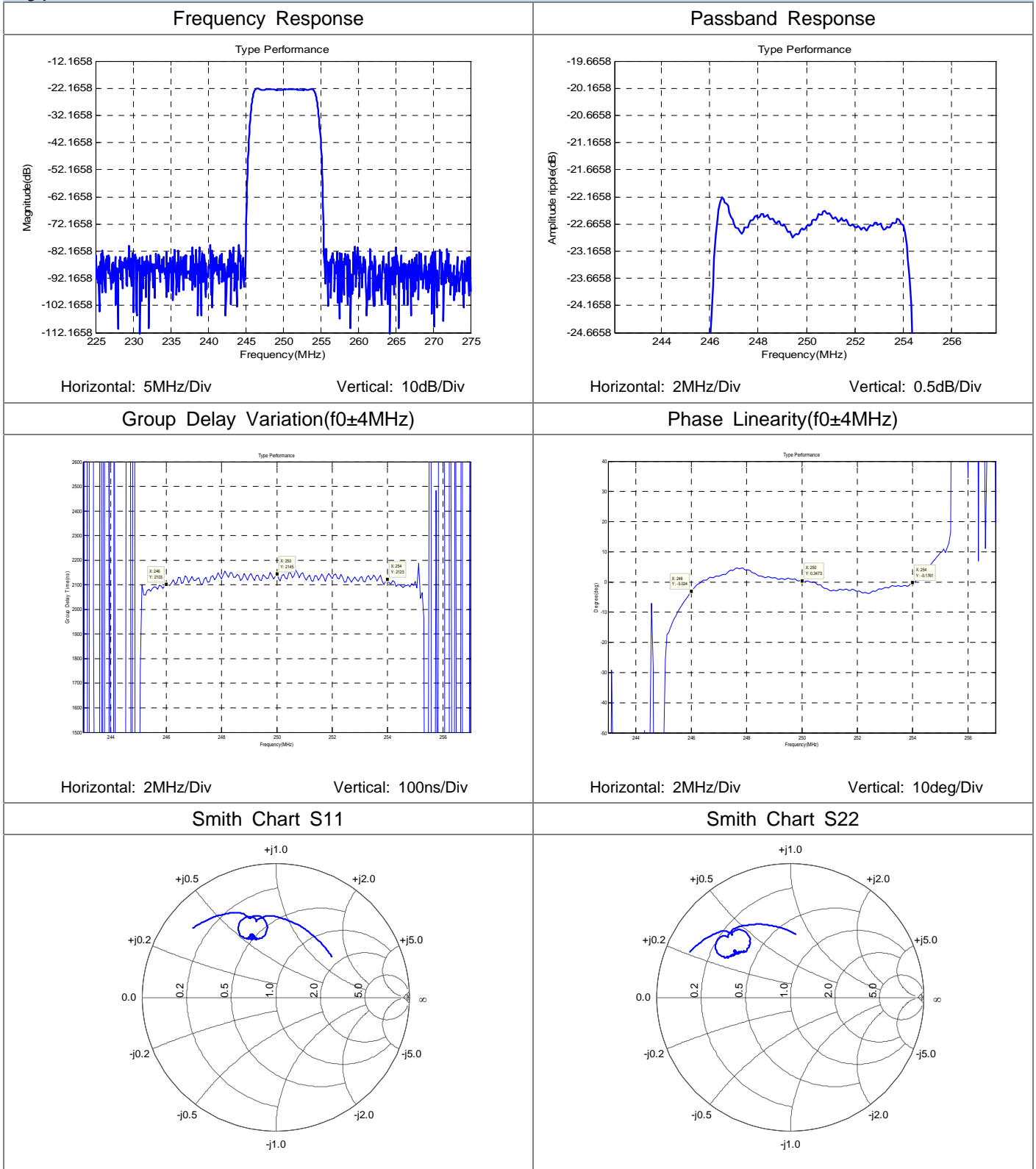


SIPAT Co., Ltd.
(CETC No.26 Research Institute)
#14 Nanping Huayuan Road,
Chongqing, China, 400060

| | | |
|-------------|------------|----------|
| Part Number | LBT25003 | |
| Rev. Date | 2010-04-07 | |
| Ver. | 1.0 | Page 2/3 |



Typical Performance



SIPAT Co., Ltd.
(CETC No.26 Research Institute)
#14 Nanping Huayuan Road,
Chongqing, China, 400060

| | | |
|-------------|------------|----------|
| Part Number | LBT25003 | |
| Rev. Date | 2010-04-07 | |
| Ver. | 1.0 | Page 3/3 |