

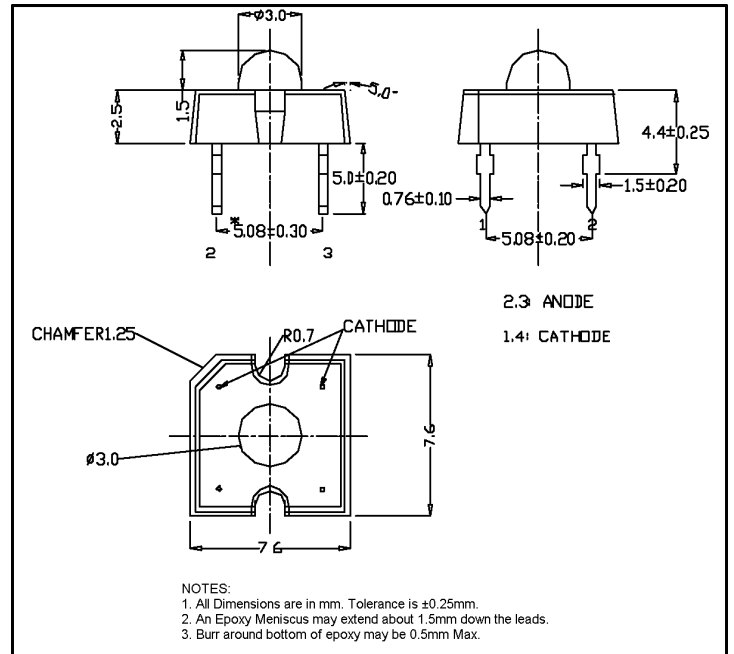
### LP377THR1-A0G

#### Features

- Low Profile
- 4 Pin Plastic Package
- Water Clear Lens
- High Flux Output
- High Current Operation

#### Applications

- Automotive Interior Exterior Lighting
- Rail Signals
- Traffic Control Devices
- Channel Letters
- Strip Lighting
- Architectural Lighting



### Maximum Ratings (Ta=25°C)

Characteristic	Symbol	Max.	Unit
Forward Current	I <sub>F</sub>	70	mA
Reverse Voltage	V <sub>R</sub>	5.00	V
Power Dissipation	P <sub>D</sub>	220.00	mW
Operating Temperature	T <sub>opr</sub>	-40 ~ +100	°C
Storage Temperature	T <sub>stg</sub>	-40 ~ +100	°C
Soldering Temperature	T <sub>sol</sub>	260	°C
Soldering Time	-	for 5 sec. max	-

### Opto-Electrical Characteristics (Ta=25°C)

Characteristic	Symbol	Test Condition	Min	Typ	Max	Unit
Forward Voltage	V <sub>F</sub>	I <sub>F</sub> =70mA	--	2.60	3.20	V
Reverse Current	I <sub>R</sub>	V <sub>R</sub> =5V	-	-	100	μA
Luminous Flux	Φ	I <sub>F</sub> =70mA	3000.00	4000.00	-	mlm
Viewing Angle	2θ <sup>1/2</sup>	-	-	100°	-	deg.
Peak Wavelength	λ <sub>p</sub>	I <sub>F</sub> =70mA	-	639	-	nm
Dominant Wavelength	λ <sub>d</sub>	I <sub>F</sub> =70mA	-	628	-	nm
Spectral Line Half Width	Δλ	I <sub>F</sub> =70mA	-	23	-	nm

**Company Headquarters**  
 120 Broadway  
 Menands, New York 12204  
 Toll Free: 800.984.5337  
 Fax: 518.432.7454



Web: [www.marktechopto.com](http://www.marktechopto.com) | Email: [info@marktechopto.com](mailto:info@marktechopto.com)

**West Coast Sales Office**  
 950 South Coast Drive, Suite 265  
 Costa Mesa, California 92626  
 Toll Free: 800.984.5337  
 Fax: 714.850.9314

## LP377THR1-A0G Graphs

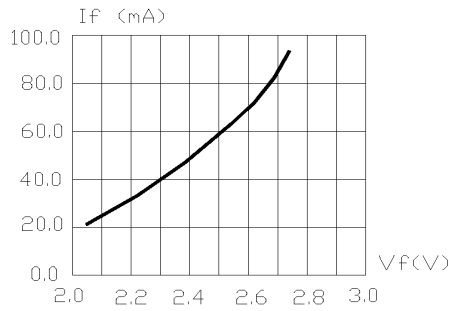


FIG.1 FORWARD CURRENT VS. FORWARD VOLTAGE.

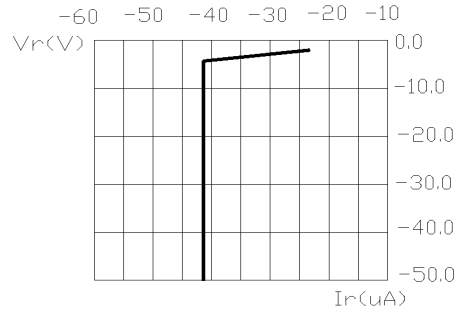


FIG.2 REVERSE CURRENT VS. REVERSE VOLTAGE.

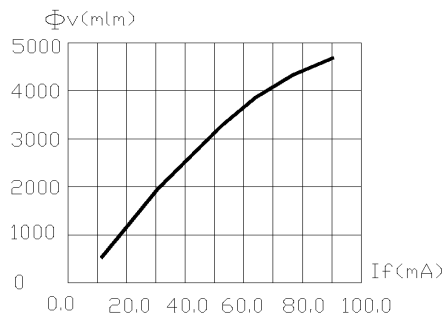


FIG.3 RELATIVE FLUX VS. FORWARD CURRENT.

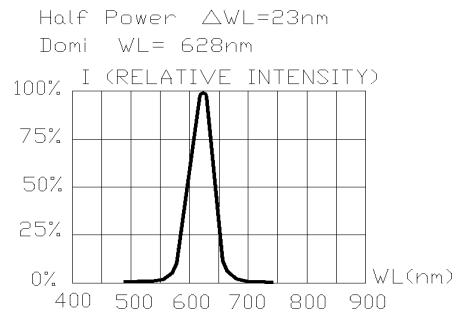


FIG.4 RELATIVE INTENSITY VS. WAVE LENGTH.

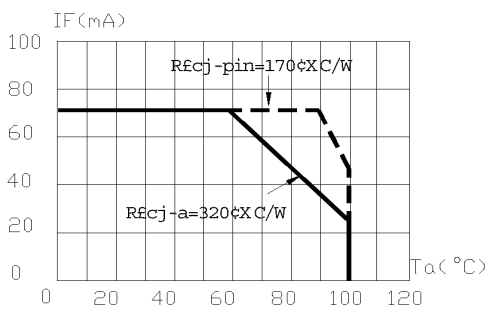


FIG.5 MAXIMUM FORWARD DC CURRENT VS TEMPERATURE. DERATING BASED ON Tjmax=120°C

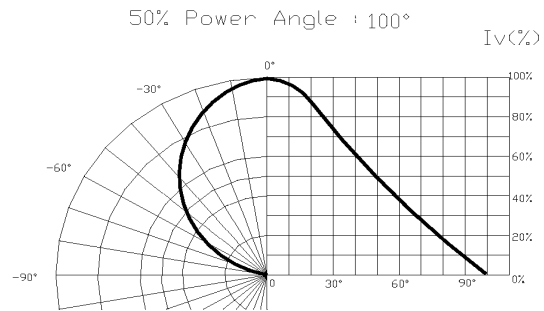


FIG.6 SPATIAL DISTRIBUTION.

1. Cathode PAD Area (0.18 × 0.18 × 2inch<sup>2</sup>)
2. Height above nominal seating plane in inches(0.3inch)