

## MT4730P-UBL

### Features

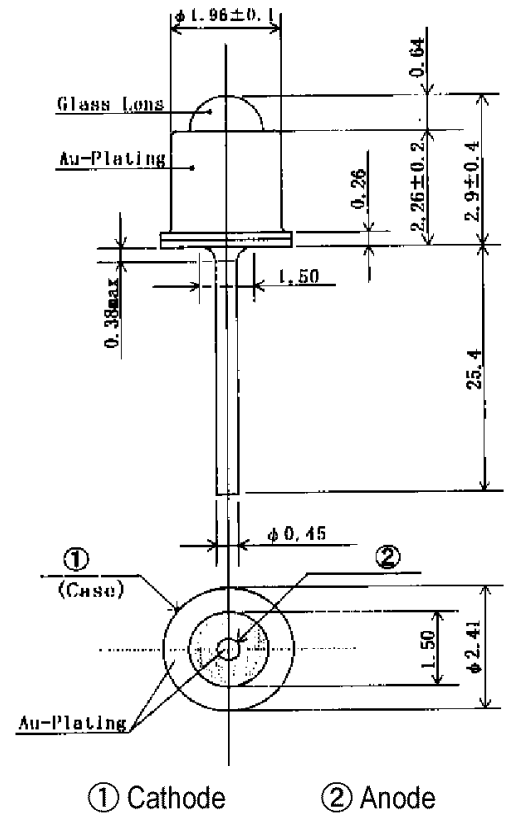
Narrow Beam Angle  
Compact Package

### Applications

Optical Switches  
Edge Sensing

### Maximum Ratings (Ta=25°C)

Characteristic	Symbol	Max.	Test Condition	Unit
Forward Current	I <sub>F</sub>	30	–	mA
Pulsed Forward Current	I <sub>FP</sub>	.30	tw=10μ S, T=10mS	A
Reverse Voltage	V <sub>R</sub>	5	–	V
Power Dissipation	P <sub>D</sub>	120.00	–	mW
Operating Temperature	T <sub>opr</sub>	–20~+85	–	°C
Storage Temperature	T <sub>stg</sub>	–30~+100	–	°C
Junction Temperature	T <sub>j</sub>	100	–	°C
Soldering Temperature	T <sub>sol</sub>	260	for 5 sec. max	°C



### Opto-Electrical Characteristics (Ta=25°C)

Characteristic	Symbol	Test Condition	Min	Typ	Max	Unit
Forward Voltage	V <sub>F</sub>	I <sub>F</sub> =20mA	–	3.60	4.00	V
Reverse Current	I <sub>R</sub>	V <sub>R</sub> =5V	–	–	100	μA
Power Output	PO	I <sub>F</sub> =20mA	–	.60	–	mW
Half Intensity Beam Angle	θ	–	–	± 3°	–	deg.
Peak Wavelength	λ <sub>p</sub>	I <sub>F</sub> =20mA	–	465	–	nm
Dominant Wavelength	λ <sub>d</sub>	I <sub>F</sub> =20mA	–	470	–	nm
Spectral Line Half Width	Δλ	I <sub>F</sub> =20mA	–	28	–	nm

## MT4730P-UBL Graphs

