

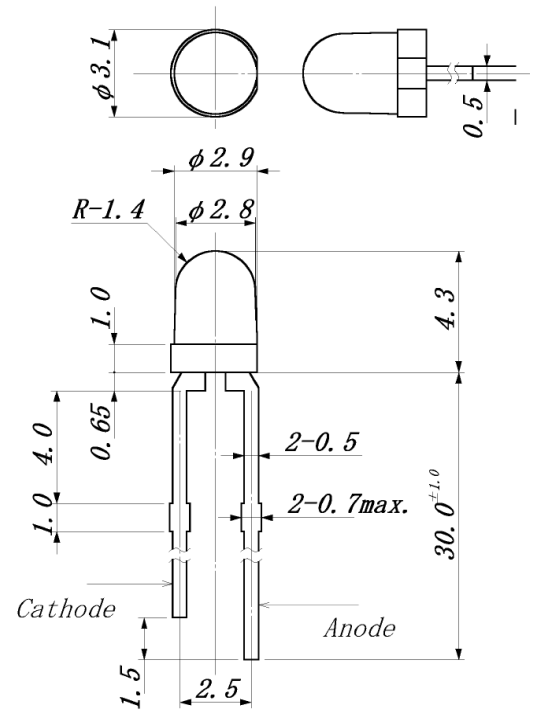
MT6700C-UR2

Features

High Output Power
High Reliability
Compact Package

Maximum Ratings (Ta=25°C)

Characteristic	Symbol	Max.	Test Condition	Unit
Forward Current	I _F	50	-	mA
Pulsed Forward Current	I _{FP}	.50	tw=10μS, T=10mS	A
Reverse Voltage	V _R	5	-	V
Power Dissipation	P _D	120.00	-	mW
Operating Temperature	T _{opr}	-20 ~ +100	-	°C
Storage Temperature	T _{stg}	-30 ~ +100	-	°C
Junction Temperature	T _j	100	-	°C
Soldering Temperature	T _{sol}	260	for 5 sec. max	°C



Opto-Electrical Characteristics (Ta=25°C)

Characteristic	Symbol	Test Condition	Min	Typ	Max	Unit
Forward Voltage	V _F	I _F =20mA	-	1.80	2.20	V
Reverse Current	I _R	V _R =5V	-	-	10	μA
Power Output	PO	I _F =20mA	5.00	7.00	-	mW
Half Intensity Beam Angle	θ	-	-	± 20°	-	deg.
Peak Wavelength	λ _p	I _F =20mA	-	675	-	nm
Spectral Line Half Width	Δλ	I _F =20mA	-	25	-	nm