

Dialight

Tactical Marker Lights



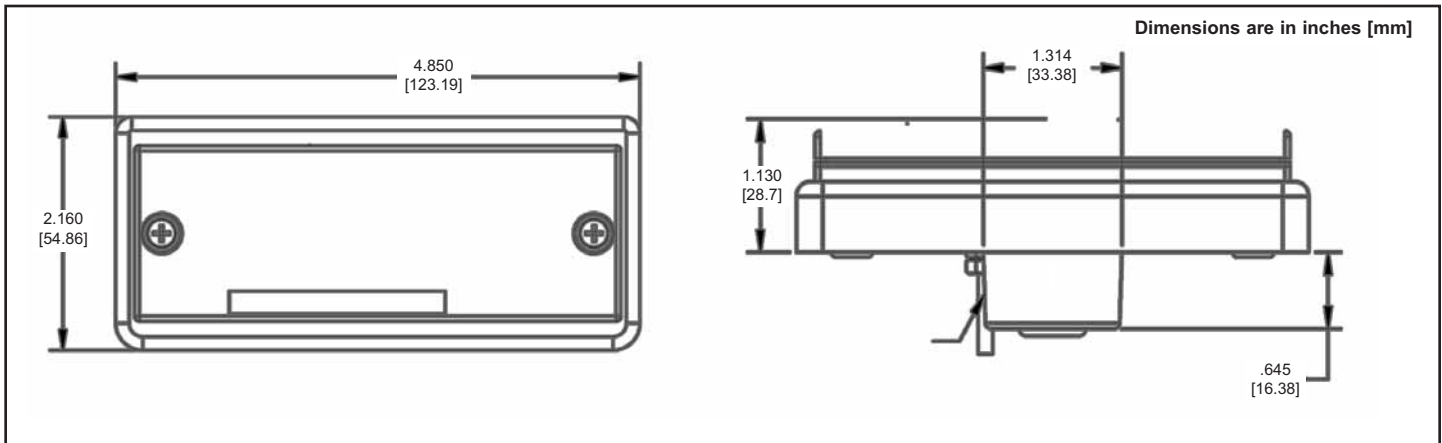
FEATURES / BENEFITS

- ▲ Specially designed for military applications
- ▲ Conforms to FMVSS 108 and MIL-STD-1179 requirements
- ▲ Sealed acrylic lens/ABS housing
- ▲ Voltage range 10-30 volts
- ▲ Complies with SAE J592 and J594
- ▲ LEDs provide safer, nearly constant on, faster illumination than incandescent
- ▲ Low power consumption
- ▲ High vibration resistance
- ▲ Robust design
- ▲ Easy retrofit of existing incandescent

APPLICATION

Dialight has developed Tactical Marker Lights as an easy incandescent retrofit upgrade for new and existing military vehicles. These lamps were designed to conform to all of the FMVSS 108 and military specifications for marker/clearance lights.

SPECIFICATIONS



Part Number	Description
TMK-RR-13T-13	Tactical Clearance & Marker Lamp Red
TMK-AA-13T-13	Tactical Clearance & Marker Lamp Amber



Dialight Corporation

1501 Route 34 South • Farmingdale, NJ 07727 USA
 Tel: (1) 732-919-3119 • Fax: (1) 732-751-5778 • www.dialight.com



MDTBTMLX001_B