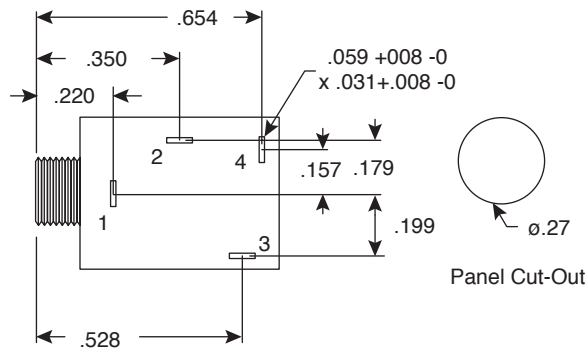
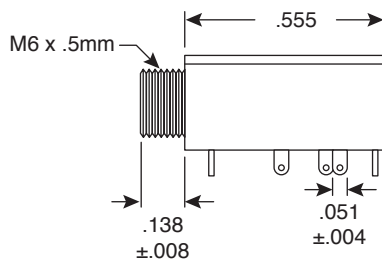
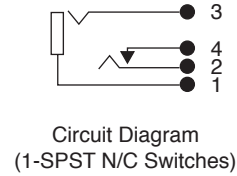
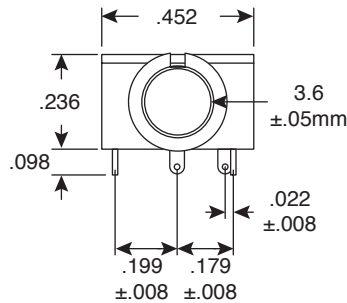
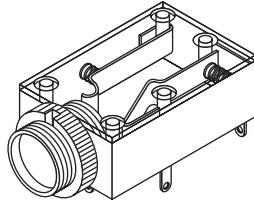


Phone Jack

161-3500



Phone Jack



PCB Hole Layout

DIMENSIONS (IN.)
(except where noted)

SPECIFICATIONS	
Type:	Hi-rel, stereo, PCB mount
Insulation Resistance:	100MΩ min. @ 250VDC
Contact Resistance:	30mΩ max.
Withstand Voltage:	250VAC for 1 minute
Insertion/Extraction Force:	.3Kg~1.5Kg
Temperature Range:	-10°~+70°C
Life:	10,000 cycles
Soldering Temperature:	260°±5°C for 5±1 seconds
Bushing:	Nickel plated brass
Body:	Noryl
Cover:	Polycarbonate
Terminals:	Silver plated brass
Hardware Included:	Knurled nut

Date Last Revised: 5-15-05

Available from Mouser Electronics
1-800-346-6873
www.mouser.com

KC-300489

161-3500