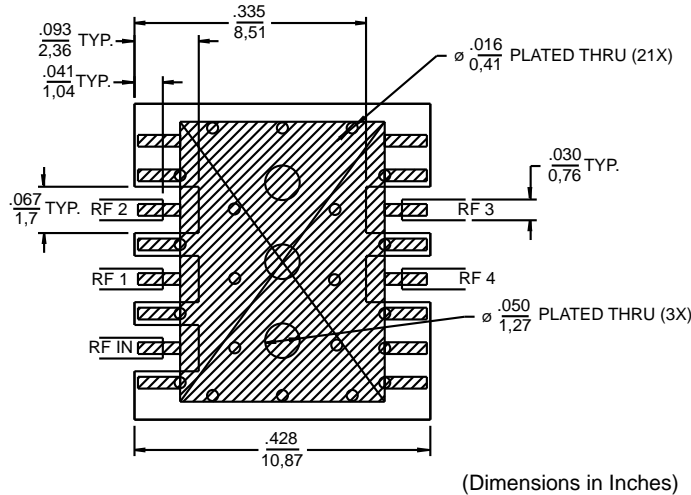


Absolute Maximum Ratings¹

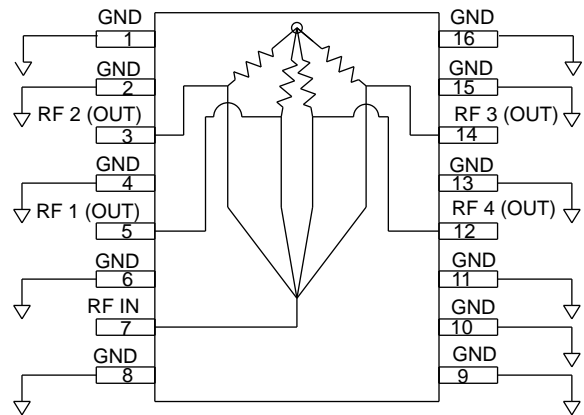
Parameter	Absolute Maximum
Input Power ²	1 W CW
Operating Temperature	-40°C to +85°C
Storage Temperature	-65°C to +150°C

1. Exceeding these limits may cause permanent damage.
2. With internal load dissipation of 0.125 W maximum.

Recommended PCB Configuration

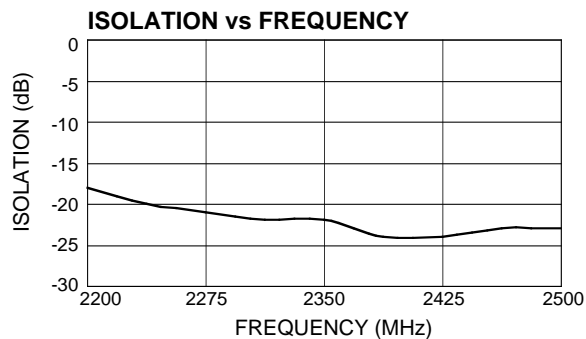
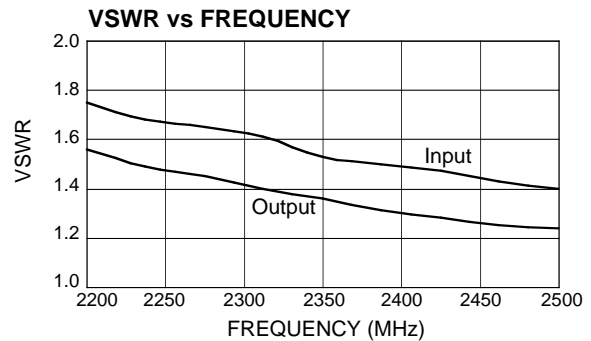
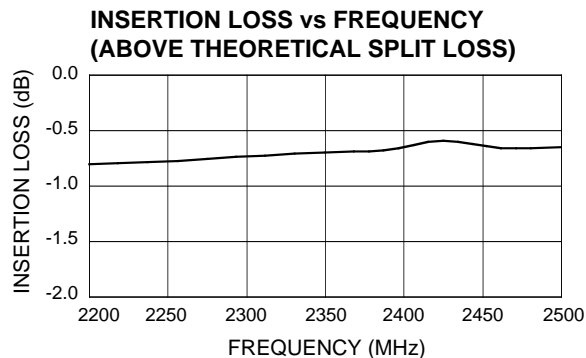


Functional Diagram³



3. Pins 1, 2, 4, 6, 7, 8, 9, 10, 11, 13, 15 and 16 must be DC and RF grounded.

Typical Performance @ +25°C



Specifications Subject to Change Without Notice.