

Atom-Dyna-MITE®

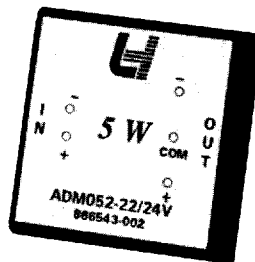
5-40 Watts

T-57-11

All models available with 12, 24 or 48V DC input;
see page 2 for complete model description.

5 Watts-1 Output ADM051

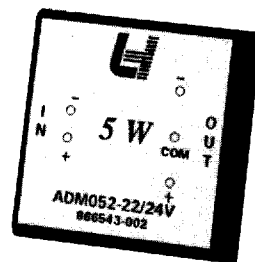
Part No.	MAIN	2
	VDC/Amps	VDC/Amps
ADM051-1	5 @ 1.000	
ADM051-2	12 @ .417	
ADM051-3	15 @ .334	



Exterior Dimensions: 1.97" x 1.97" x 0.42"
(50mm x 50mm x 10.6mm)
Weight: 100 grams max.
Detail drawing pg. 6

5 Watts-2 Outputs ADM052

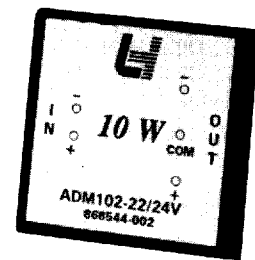
Part No.	MAIN	2
	VDC/Amps	VDC/Amps
ADM052-11	+ 5 @ .50	- 5 @ .50
ADM052-22	+12 @ .21	-12 @ .21
ADM052-33	+15 @ .17	-15 @ .17



Exterior Dimensions: 1.97" x 1.97" x 0.42"
(50mm x 50mm x 10.6mm)
Weight: 100 grams max.
Detail drawing pg. 6

10 Watts-1 Output ADM101

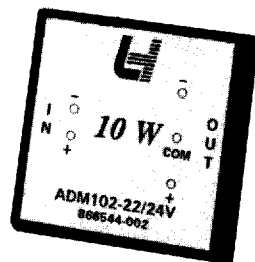
Part No.	MAIN	2
	VDC/Amps	VDC/Amps
ADM101-1	5 @ 2.000	
ADM101-2	12 @ .840	
ADM101-3	15 @ .664	



Exterior Dimensions: 1.97" x 1.97" x 0.42"
(50mm x 50mm x 10.6mm)
Weight: 100 grams max.
Detail drawing pg. 6

10 Watts-2 Outputs ADM102

Part No.	MAIN	2
	VDC/Amps	VDC/Amps
ADM102-11	+ 5 @ 1.000	- 5 @ 1.000
ADM102-22	+12 @ .420	-12 @ .420
ADM102-33	+15 @ .332	-15 @ .332



Exterior Dimensions: 1.97" x 1.97" x 0.42"
(50mm x 50mm x 10.6mm)
Weight: 100 grams max.
Detail drawing pg. 6



Atom-Dyna-MITE®

5-40 Watts

T-57-11

All models available with 12, 24 or 48V DC input;
see page 2 for complete model description.

40 Watts-3 Outputs

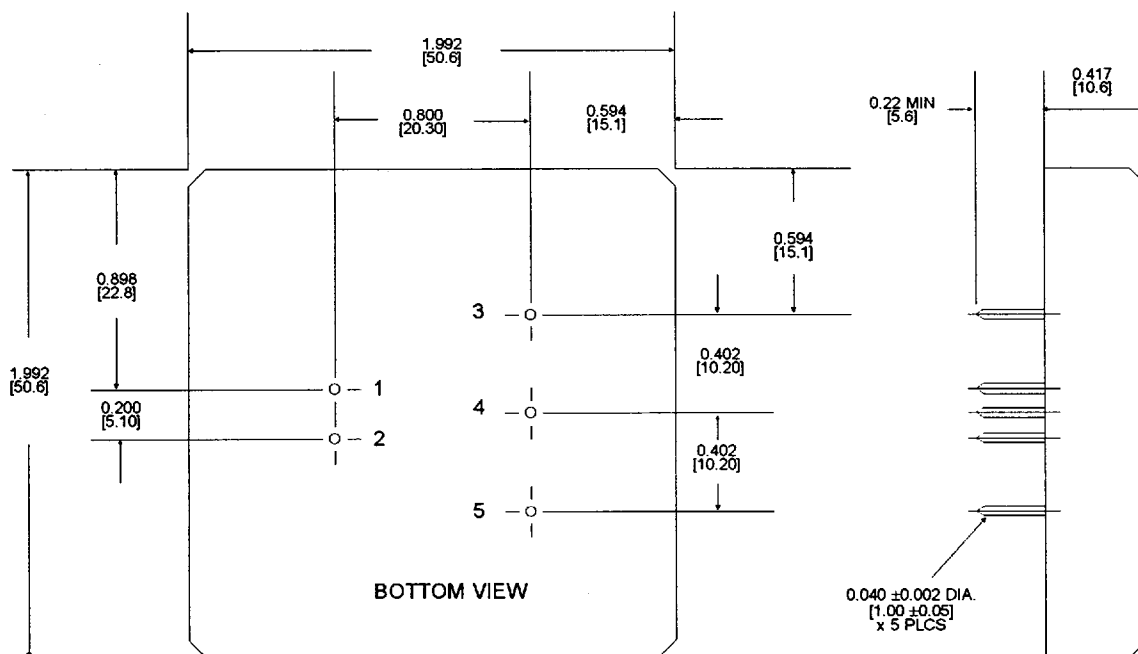
ADM403

Part No.	MAIN	2	3
	VDC/Amps	VDC/Amps	VDC/Amps
ADM403-122	+5 @ 7.00	+12 @ .300	-12 @ .300
ADM403-133	+5 @ 6.20	+15 @ .300	-15 @ .300
ADM403-112	+5 @ 7.00	-5 @ .300	+12 @ .300

Exterior Dimensions: 3.94" x 2.76" x 0.83"
(100mm x 70mm x 21mm).
Weight: 350 grams max.
Detail drawing pg. 8.

Mechanical Specifications

ADM050 & 100 SERIES



ADM050 & 100 Terminal Connections

Pin No.	Pin Function	
	Singles	Duals
1	+ Input	+ Input
2	- Input	- Input
3	+ Output	+ Output
4	no connection	Common
5	- Output	- Output

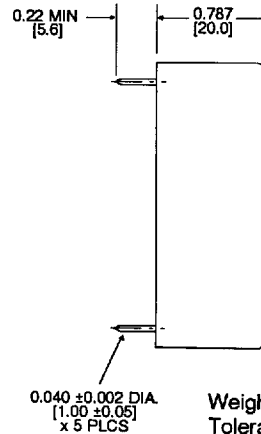
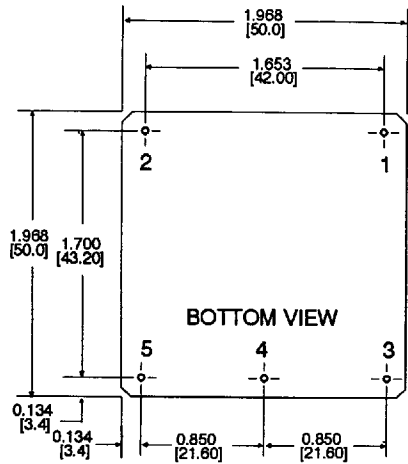
Weight: 100g or less
Tolerance: .X ±0.02 inches [±0.5mm]
Tolerance: .XX ±0.01 inches [±0.20mm]
Dimensions in inches/ [mm].



Mechanical Specifications

T-90-20

ADM150 SERIES

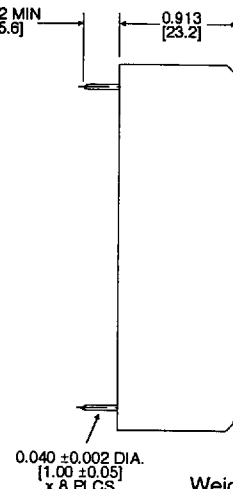
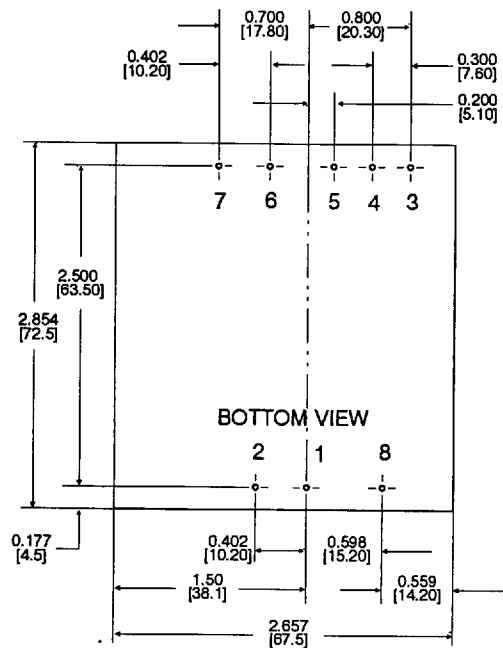


Weight: 120g or less
 Tolerance: .X ±0.02 inches [±0.5mm]
 Tolerance: .XX ±0.01 inches [±0.20mm]
 Dimensions in inches/ [mm].

ADM150 Terminal Connections

Pin No.	Pin Function	
	Singles	Duals
1	+ Input	+ Input
2	- Input	- Input
3	+ Output	+ Output
4	no connection	Common
5	- Output	- Output

ADM250 & 300 SERIES



Weight: 220g or less
 Tolerance: .X ±0.02 inches [±0.5mm]
 Tolerance: .XX ±0.01 inches [±0.20mm]
 Dimensions in inches/ [mm].

ADM250 & 300 Terminal Connections

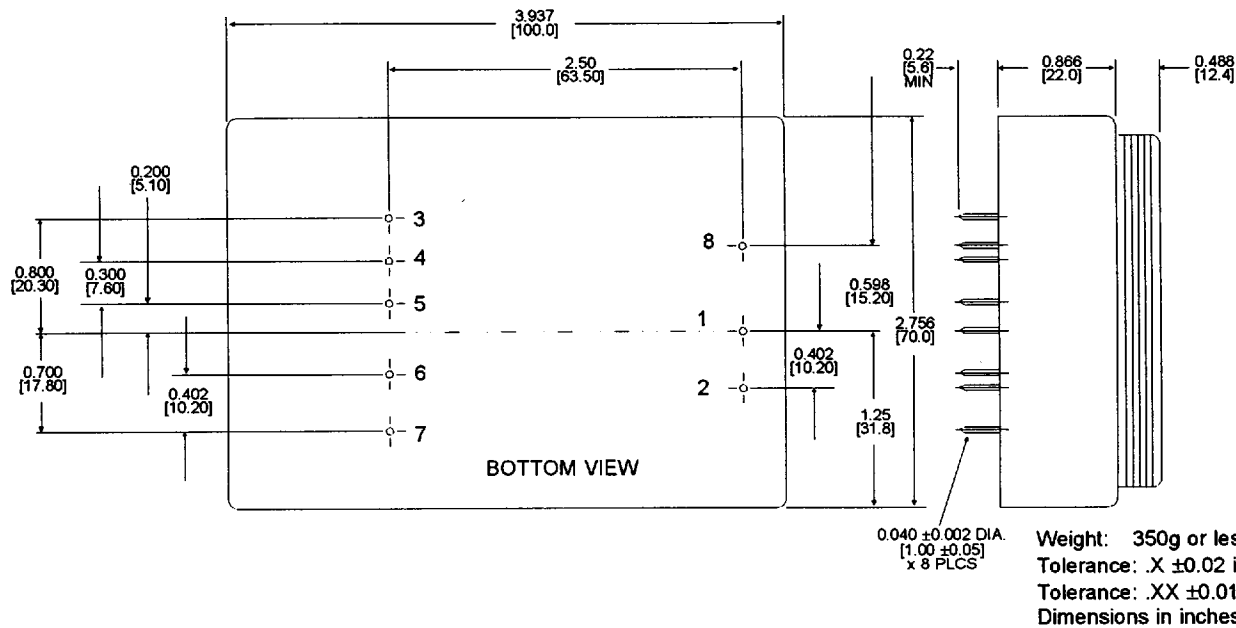
Pin No.	Pin Function			Pin No.	Pin Function		
	Singles	Duals	Triples		Singles	Duals	Triples
1	+ Input	+ Input	+ Input	5	- Sense / Trim Up	no connection	- Output V3
2	- Input	- Input	- Input	6	+ Output	+ Output V1	+ Output V1
3	+ Sense / Trim Down	+ Output V2	+ Output V2	7	- Output	Com 1	Com 1
4	Output Trim	Com 2	Com 2	8	Remote On / Off	Remote On / Off	Remote On / Off



Mechanical Specifications

T-90-20

ADM400 SERIES

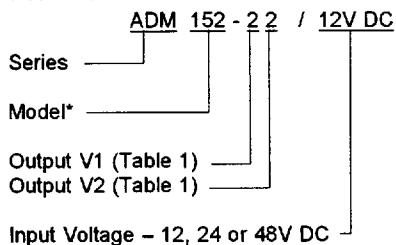


ADM400 Terminal Connections

Pin No.	Pin Function			Pin No.	Pin Function		
	Singles	Duals	Triples		Singles	Duals	Triples
1	+ Input	+ Input	+ Input	5	- Sense / Trim Up	no connection	- Output V3
2	- Input	- Input	- Input	6	+ Output	+ Output V1	+ Output V1
3	+ Sense / Trim Down	+ Output V2	+ Output V2	7	- Output	Com 1	Com 1
4	Output Trim	Com 2	Com 2	8	Remote On / Off	Remote On / Off	Remote On / Off

Ordering Information

(Typical part number encoded)



*Last digit = number of outputs

Table 1. Output Voltage Code

1	= 5V
2	= 12V
3	= 15V
5	= 24V

The ADM Product carries a 1-year warranty.



LH Research, Inc.

14402 Franklin Avenue, Tustin, CA 92680

1-800-LH SALES • FAX 714-669-2562

For price, delivery, and order placement call toll free: 1-800-LH SALES