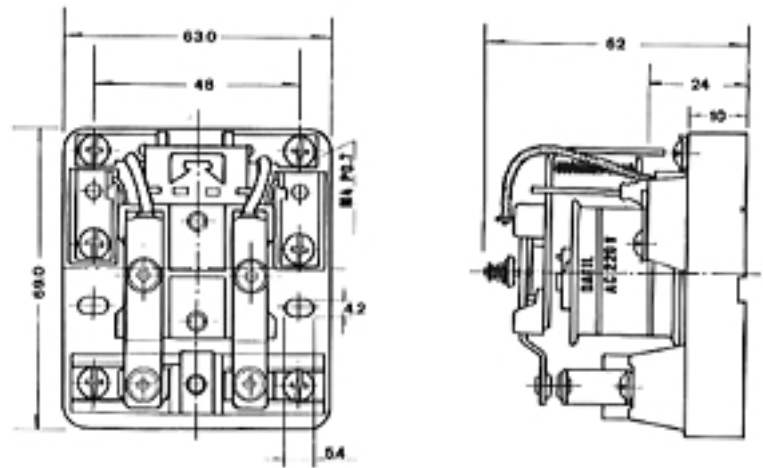




DPR-402



Shape / Dimension drawing

Coil rating

Rating volatage(v)		Rating current (mA)	Coil resistance (Ω)	Operation voltage(V)	Return voltage(V)	Max. allowable voltage(V)
AC	24	410	17	below 80%	above 30%	110%
	110	96	320			
	220	48	1,200			
DC	12	210	51		above 10%	
	24	105	200			
	48	50	1,150			
	110	26.5	3,900			

Contact rating

Item / Load	Resistive load ($\cos \phi = 1$)	Inductive load ($\cos \phi = 0.4$ L/R = 7ms)
Rated load	AC 110V, 30A DC 24V, 15A	AC 110V, 20A DC 24V, 7.5A
Carry current	30A	
Max. switching capacity	AC 500VA, DC 250V	
Max. switching current	30A	

Performance summary

Item	Performance
Contact resistance	below 50mΩ (initial value)
Insulation resistance	above 100MΩ(DC 500V Meg)
Withstand voltage	between contacts : AC 1000V / 1min between charging part : AC 1500V / 1min and non - charging part : AC 1500V / 1min
Lift time	mechanical : above 3,000,000 times electrical : above 500,000 times
Power consumption	for AC : about 9.6VA
	for DC : about 2.5W
Operating time	below 50ms
Return time	below 50ms
Withstand vibration	10~55Hz double amplitude 1.5mm
Withstand impact	80G
Max. switching frequency	mechanical : 20times / min electrical : 20times / min
Ambient temperature	-5°C +40°C
Weight	about 270g