

FSA2147 — Low-Voltage, DPST Analog Switch with Negative Signal Capability and Built-in Termination to Eliminate Pop

Features

- Built-In Termination on Unselected Audio Paths Inhibits Audio Pop
- 6pF Typical Switch Off Capacitance
- 2.5Ω Typical On Resistance
- Negative-Swing-Capable
- Power-Off Protection
- Flow-Through Pin Out Eliminates PCB Vias

Description

The FSA2147 is a Double-Pole, Single Throw (DPST) switch. The audio path defaults to audio mute and is enabled with /OE. The FSA2147 includes a power-off feature on the common port when $V_{CC}=0V$ to guarantee signal isolation.

IMPORTANT NOTE:

For additional information, please contact analogswitch@fairchildsemi.com.

Applications

- MP3 Player, Cell Phone, PDA, Digital Camera, and Notebook Computers

Ordering Information

Part Number	Top Mark	Operating Temperature Range	Eco Status	Package Description	Packing Method
FSA2147K8X	2147	-40°C to +85°C	RoHS	8-Lead US8, JEDEC MO-187, Variation CA, 3.0mm Wide Package	3000 Units Tape and Reel

For Fairchild's definition of Eco Status, please visit: http://www.fairchildsemi.com/company/green/rohs_green.html.

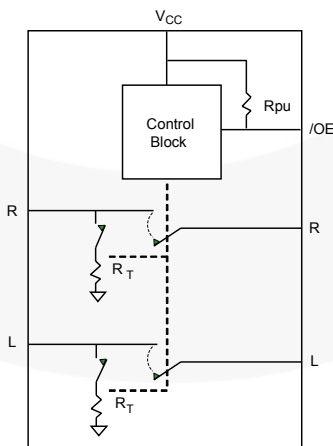


Figure 1. Analog Symbol

Pin Configuration

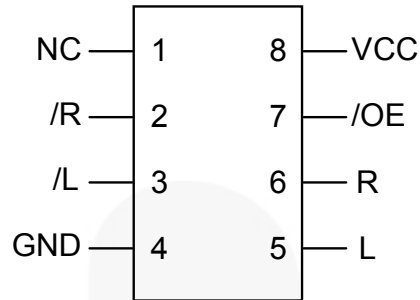


Figure 2. 8-Pin US8

Pin Descriptions

Pin #	Name	Description
8	V _{CC}	Power supply.
7	/OE	Output enable. This pin defaults HIGH, allowing the user to mute the audio channel during power up. The audio path is only connected when /OE is driven LOW.
6, 5	R, L	Audio right and left input sources.
2, 3	/R, /L	Audio common connector port.

Truth Table

V _{CC}	/OE	Switch
LOW		OPEN
HIGH	LOW	ON
HIGH	HIGH	OPEN

Absolute Maximum Ratings

Stresses exceeding the absolute maximum ratings may damage the device. The device may not function or be operable above the recommended operating conditions and stressing the parts to these levels is not recommended. In addition, extended exposure to stresses above the recommended operating conditions may affect device reliability. The absolute maximum ratings are stress ratings only.

Symbol	Parameter	Min.	Max.	Units	
V _{CC}	Supply Voltage	-0.5	4.6	V	
/OE	Output Enable Control Signal	-0.5	4.6	V	
V _{SW}	Switch I/O Voltage ⁽¹⁾	V _{CC} -4.6	4.6	V	
I _{IK}	Input Clamp Diode Current		-50	mA	
I _{SW}	Switch I/O Current (Continuous)		100	mA	
I _{SWPEAK}	Peak Switch Current (Pulsed at 1ms Duration, <10% Duty Cycle)		150	mA	
T _{STG}	Storage Temperature Range	-65	+150	°C	
T _J	Maximum Junction Temperature		+150	°C	
T _L	Lead Temperature (Soldering, 10 seconds)		+260	°C	
ESD	Human Body Model, JEDEC: JESD22-A114	I/O to GND	12		kV
		All Other Pins	2		
		V _{CC} to GND	12		
	Charged Discharge Model, JEDEC: JESD22-C101		2		

Note:

- The input and output negative ratings may be exceeded if the input and output diode current ratings are observed.

Recommended Operating Conditions

The Recommended Operating Conditions table defines the conditions for actual device operation. Recommended operating conditions are specified to ensure optimal performance to the datasheet specifications. Fairchild does not recommend exceeding them or designing to Absolute Maximum Ratings.

Symbol	Parameter	Min.	Max.	Units
V _{CC}	Supply Voltage	2.7	4.3	V
/OE	Output Enable Control Signal	3.0	4.3	V
V _{SW}	Switch I/O Voltage	V _{CC} -4.3	4.3	V
T _A	Operating Temperature	-40	+85	°C

DC Electrical Characteristics

All typical values are at 25°C unless otherwise specified.

Symbol	Parameter	V _{CC} (V)	Conditions	T _A = -40 to +85°C			Unit
				Min.	Typ. ⁽⁵⁾	Max.	
Common Pins							
V _{IK}	Clamp Diode Voltage	3.0	I _{IK} = -18mA			-1.2	V
V _{IH}	Control Input Voltage HIGH	2.7 to 4.3		1.7			
V _{IL}	Control Input Voltage LOW	2.7 to 4.3				0.6	
I _{IN}	/OE Input Leakage Current	4.3	V _{IN} = 4.3V	1		-1	μA
I _{OFF}	Power Off Leakage Current (Common Port Only /R, /L)	0	Common Port (/R, /L) V _{SW} = 4.3V or Floating	-10		10	μA
I _{NC(ON)}	On-Leakage Current of Port /R or /L	4.3	/R, /L = 0.3V, 4.0V R, L = Floating Figure 8	-250	1	250	nA
R _{PU}	/OE Internal Pull-Up Resistor	4.3			3		MΩ
R _T	Audio Path Termination Resistors	4.3	V _{IN} =0.3V or 4.0V		100		Ω
V _{Audio}	Analog Signal Range	2.7 to 4.3		V _{CC} -4.3V		V _{CC}	V
R _{ONAudio}	Switch On Resistance ⁽²⁾	2.7	V _{L/R} = -1.5V, 0V, 1.5V I _{ON} = 60mA		1.5	3.0	Ω
ΔR _{ONAudio}	Delta R _{ON} ⁽³⁾	2.7	V _{L/R} = 0.7V I _{ON} = 60mA		0.4		Ω
R _{FLAT(Audio)}	R _{ON} Flatness ⁽⁴⁾	2.7	V _{SW} =-1.5V to 1.5V, I _{ON} = 60mA		0.4	0.8	Ω
Power Supply							
I _{CC}	Quiescent Supply Current	4.3	/OE = Low or V _{CC} , I _{OUT} = 0		1.5	15	μA

Notes:

- On resistance is determined by the voltage drop between the A and B pins at the indicated current through the switch.
- Δ R_{ON} = R_{ON max} – R_{ON min} measured at identical V_{CC}, temperature, and voltage.
- Flatness is defined as the difference between the maximum and minimum values of on resistance over the specified range of conditions.
- Guaranteed by characterization; not production tested.

AC Electrical Characteristics

All typical value are for $V_{CC} = 3.6V$ at $25^{\circ}C$ unless otherwise specified.

Symbol	Parameter	V_{CC} (V)	Conditions	$T_A = -40$ to $+85^{\circ}C$			Unit
				Min.	Typ. ⁽⁶⁾	Max.	
t_{ON}	Turn-On Time, /OE to Output	2.7 to 4.3	$V_{R/L} = 1.0V$ $R_L = 50\Omega$, $C_L = 50pF$ Figure 9, Figure 10, Figure 11		2		μs
t_{OFF}	Turn-Off Time, /OE to Output	2.7 to 4.3	$V_{R/L} = 1.0V$ $R_L = 50\Omega$, $C_L = 50pF$ Figure 9, Figure 10, Figure 11		2		μs
Xtalk	Non-Adjacent Channel Crosstalk (Audio Mode)	3.3 to 4.3	$f = 20kHz$, $R_T = 32\Omega$, $C_L = 0pF$ Figure 16		-75		dB
THD	Total Harmonic Distortion (Audio Mode)	3.0 to 4.3	$f = 20Hz$ to $20kHz$ $R_L = 32\Omega$, $V_{IN} = 2V_{PP}$ Figure 14		0.05		%
SNR	Signal-to-Noise Ratio (Audio Mode)	3.3 to 4.3	$f = 20kHz$ to $20kHz$, $R_L = 32\Omega$, $V_{IN} = 2V_{PP}$ Figure 14		80		dB

Note:

6. Guaranteed by characterization; not production tested.

Capacitance

All typical values are at $25^{\circ}C$ unless otherwise specified.

Symbol	Parameter	V_{CC} (V)	Conditions	$T_A = -40$ to $+85^{\circ}C$			Unit
				Min.	Typ. ⁽⁷⁾	Max.	
C_{IN}	Control Pin Input Capacitance	3.0 to 4.3	$V_{BIAS} = 0.2V$		2.5		pF

Note:

7. Guaranteed by characterization; not production tested.

Typical Characteristics

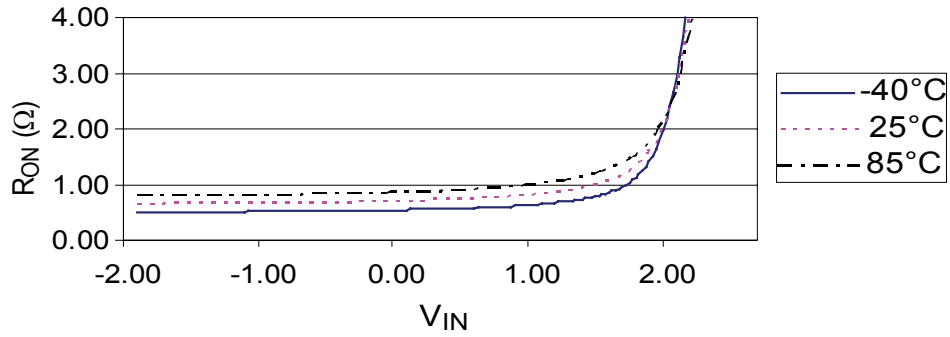


Figure 3. $R_{ON}, V_{CC}=2.7V$

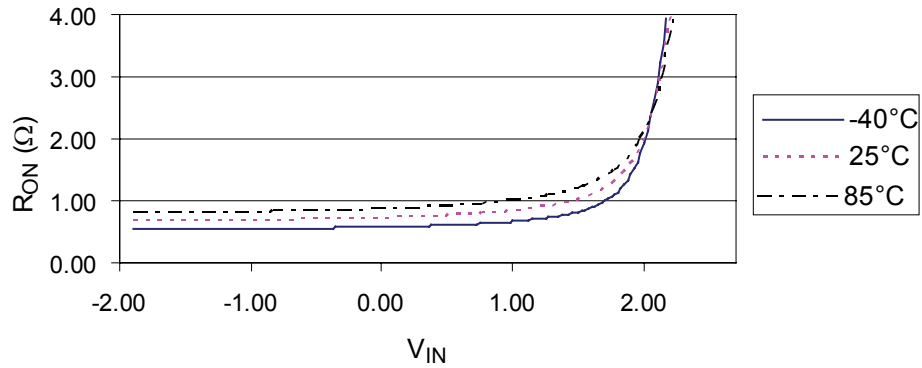


Figure 4. $R_{ON}, V_{CC}=2.7V$

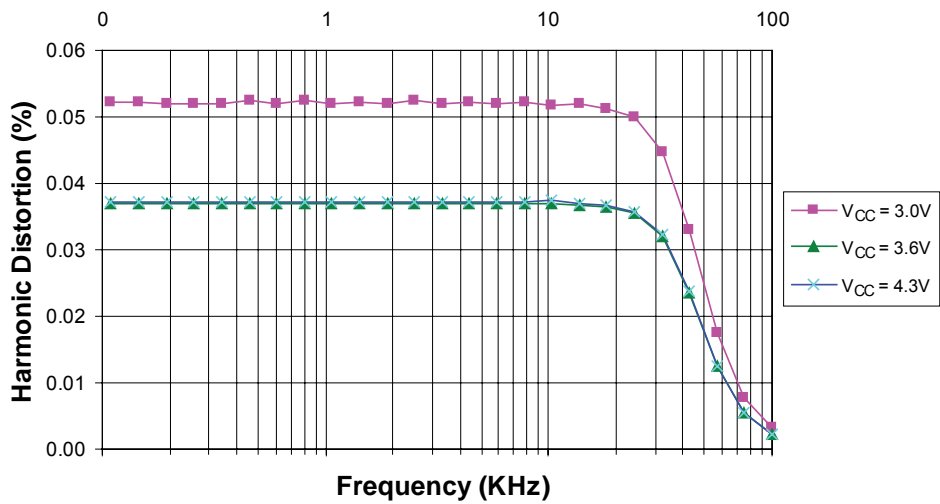


Figure 5. Total Harmonic Distortion

Test Diagrams

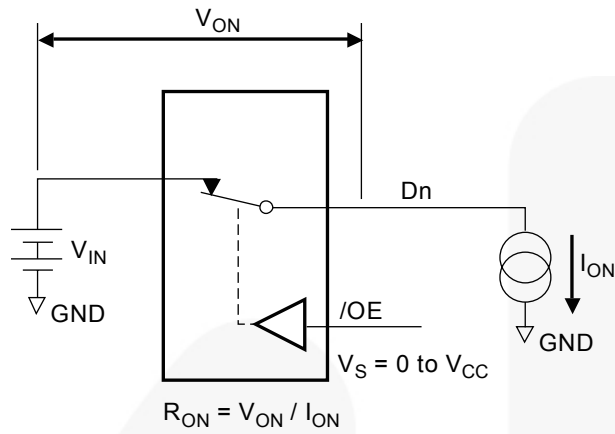


Figure 6. On Resistance

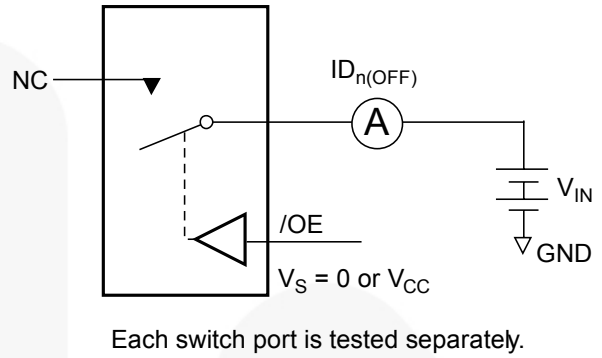


Figure 7. Off Leakage

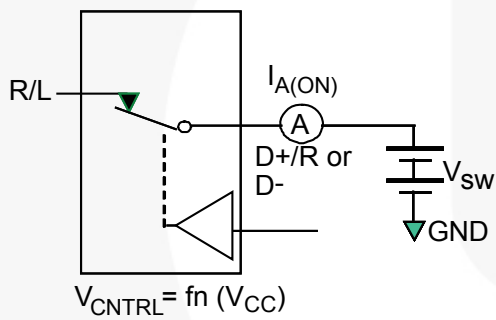
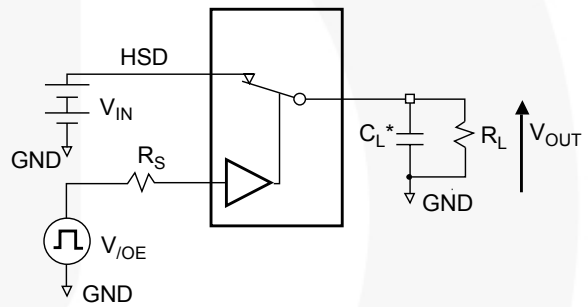


Figure 8. On Leakage



R_L , R_S , and C_L are functions of the application environment (see tables for specific values).

* C_L includes test fixture and stray capacitance.

Figure 9. AC Test Circuit Load

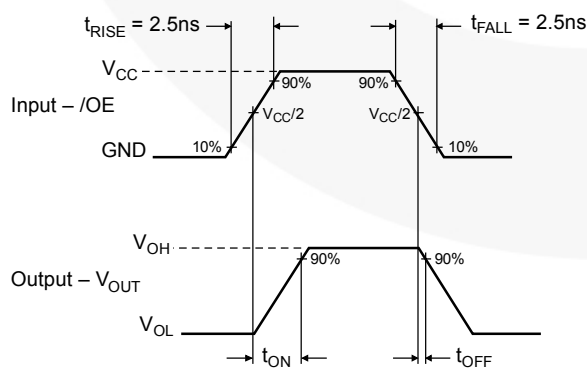


Figure 10. Turn-On / Turn-Off Waveforms

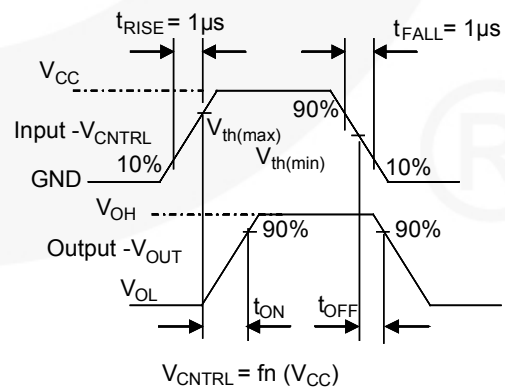


Figure 11. Turn-On / Turn-Off Waveforms

Test Diagrams (Continued)

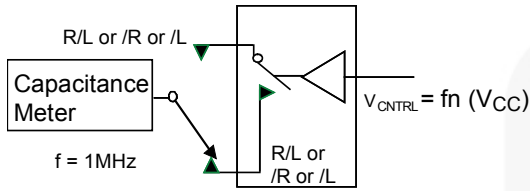


Figure 12. Channel Off Capacitance

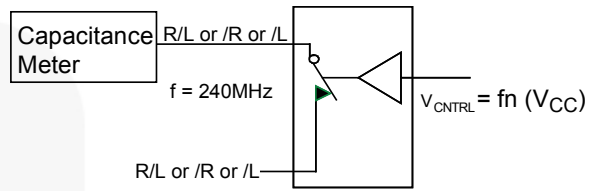


Figure 13. Channel On Capacitance

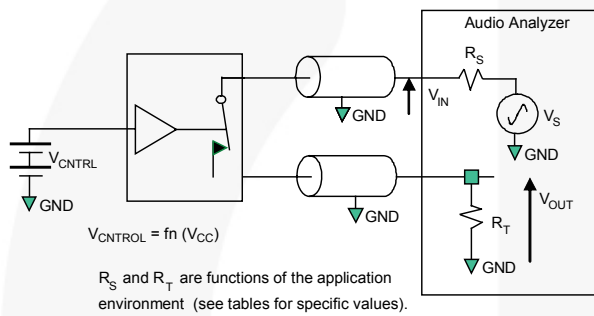


Figure 14. Total Harmonic Distortion

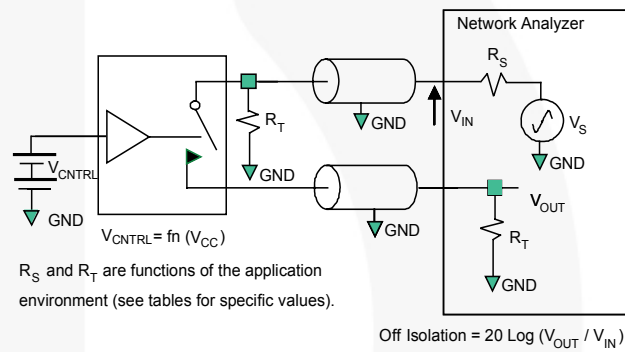


Figure 15. Channel Off Isolation

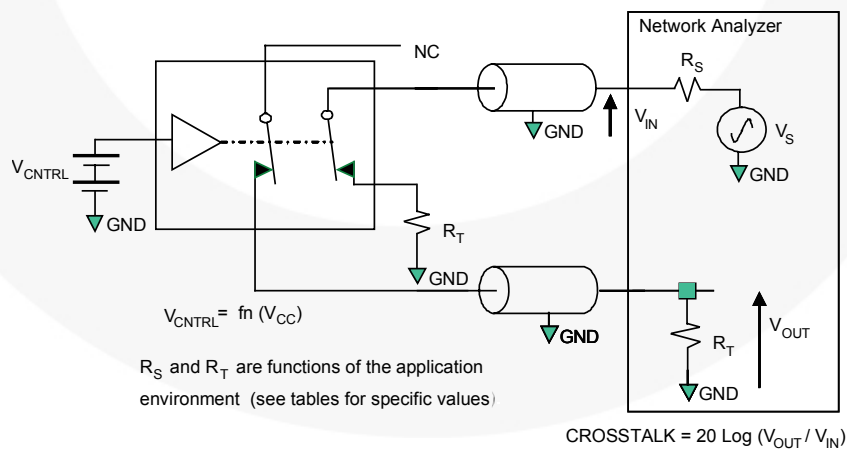
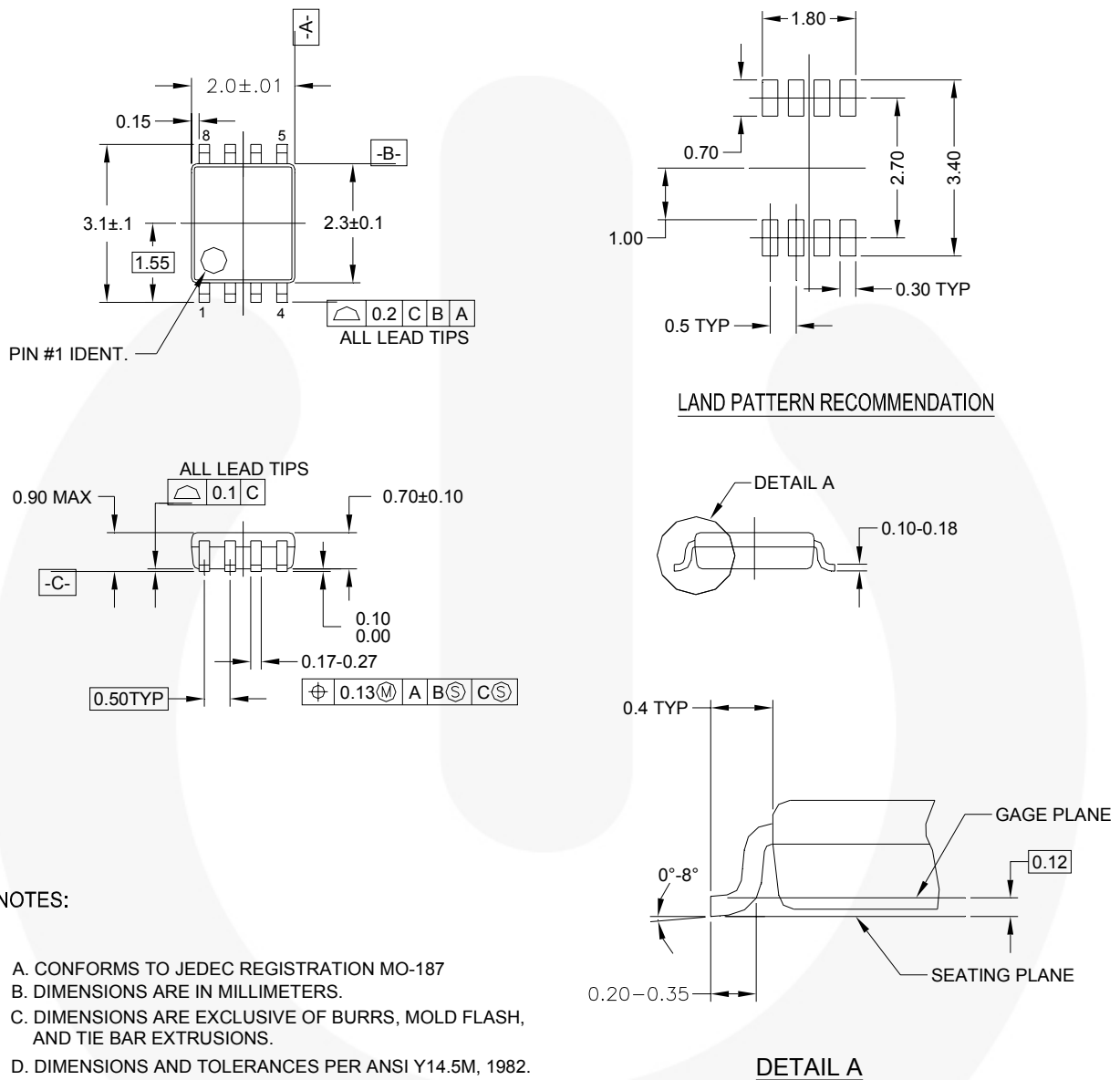


Figure 16. Non-Adjacent Channel-to-Channel Crosstalk

Physical Dimensions



MAB08AREVC

Figure 17. 8-Lead US8, JEDEC MO-187, Variation CA, 3.0mm Wide Package

Package drawings are provided as a service to customers considering Fairchild components. Drawings may change in any manner without notice. Please note the revision and/or date on the drawing and contact a Fairchild Semiconductor representative to verify or obtain the most recent revision. Package specifications do not expand the terms of Fairchild's worldwide terms and conditions, specifically the warranty therein, which covers Fairchild products.






Always visit Fairchild Semiconductor's online packaging area for the most recent package drawings:

<http://www.fairchildsemi.com/packaging/>



TRADEMARKS

The following includes registered and unregistered trademarks and service marks, owned by Fairchild Semiconductor and/or its global subsidiaries, and is not intended to be an exhaustive list of all such trademarks.

- | | | | |
|---|---|---|---|
| AccuPower™ | FPST™ | PowerTrench® | The Power Franchise® |
| Auto-SPM™ | F-PFST™ | PowerXS™ | the power franchise |
| Build it Now™ | FRFET® | Programmable Active Droop™ | TinyBoost™ |
| CorePLUSTM | Global Power Resource SM | QFET® | TinyBuck™ |
| CorePOWER™ | Green FPST™ | QST™ | TinyCalc™ |
| CROSSVOLT™ | Green FPS™ e-Series™ | Quiet Series™ | TinyLogic® |
| CTL™ | Gmax™ | RapidConfigure™ | TINYOPTO™ |
| Current Transfer Logic™ | GTO™ |  | TinyPower™ |
| EcoSPARK® | IntelliMAX™ | Saving our world, 1mV/W/KV at a time™ | TinyPWM™ |
| EfficientMax™ | ISOPLANAR™ | SmartMax™ | TinyWire™ |
| EZSWITCH™ | MegaBuck™ | SMART START™ | TriFault Detect™ |
|  | MICROCOUPLER™ | SPM® | TRUECURRENT™ |
|  | MicroFET™ | STEALTH™ | µSerDes™ |
| Fairchild® | MicroPak™ | SuperFET™ |  |
| Fairchild Semiconductor® | MillerDrive™ | SuperSOT™.3 | UHC® |
| FACT Quiet Series™ | MotionMax™ | SuperSOT™.6 | Ultra FRFET™ |
| FACT® | Motion-SPM™ | SuperSOT™.8 | UniFET™ |
| FAST® | OPTOLOGIC® | SupreMOS™ | VCX™ |
| FastvCore™ | OPTOPLANAR® | SyncFET™ | VisualMax™ |
| FETBench™ |  | Sync-Lock™ | XST™ |
| FlashWriter® | PDP SPM™ |  | |
| | Power-SPM™ | | |

* Trademarks of System General Corporation, used under license by Fairchild Semiconductor.

DISCLAIMER

FAIRCHILD SEMICONDUCTOR RESERVES THE RIGHT TO MAKE CHANGES WITHOUT FURTHER NOTICE TO ANY PRODUCTS HEREIN TO IMPROVE RELIABILITY, FUNCTION, OR DESIGN. FAIRCHILD DOES NOT ASSUME ANY LIABILITY ARISING OUT OF THE APPLICATION OR USE OF ANY PRODUCT OR CIRCUIT DESCRIBED HEREIN; NEITHER DOES IT CONVEY ANY LICENSE UNDER ITS PATENT RIGHTS, NOR THE RIGHTS OF OTHERS. THESE SPECIFICATIONS DO NOT EXPAND THE TERMS OF FAIRCHILD'S WORLDWIDE TERMS AND CONDITIONS, SPECIFICALLY THE WARRANTY THEREIN, WHICH COVERS THESE PRODUCTS.

LIFE SUPPORT POLICY

FAIRCHILD'S PRODUCTS ARE NOT AUTHORIZED FOR USE AS CRITICAL COMPONENTS IN LIFE SUPPORT DEVICES OR SYSTEMS WITHOUT THE EXPRESS WRITTEN APPROVAL OF FAIRCHILD SEMICONDUCTOR CORPORATION.

As used herein:

1. Life support devices or systems are devices or systems which, (a) are intended for surgical implant into the body or (b) support or sustain life, and (c) whose failure to perform when properly used in accordance with instructions for use provided in the labeling, can be reasonably expected to result in a significant injury of the user.
2. A critical component in any component of a life support, device, or system whose failure to perform can be reasonably expected to cause the failure of the life support device or system, or to affect its safety or effectiveness.

ANTI-COUNTERFEITING POLICY

Fairchild Semiconductor Corporation's Anti-Counterfeiting Policy. Fairchild's Anti-Counterfeiting Policy is also stated on our external website, www.fairchildsemi.com, under Sales Support.

Counterfeiting of semiconductor parts is a growing problem in the industry. All manufacturers of semiconductor products are experiencing counterfeiting of their parts. Customers who inadvertently purchase counterfeit parts experience many problems such as loss of brand reputation, substandard performance, failed applications, and increased cost of production and manufacturing delays. Fairchild is taking strong measures to protect ourselves and our customers from the proliferation of counterfeit parts. Fairchild strongly encourages customers to purchase Fairchild parts either directly from Fairchild or from Authorized Fairchild Distributors who are listed by country on our web page cited above. Products customers buy either from Fairchild directly or from Authorized Fairchild Distributors are genuine parts, have full traceability, meet Fairchild's quality standards for handling and storage and provide access to Fairchild's full range of up-to-date technical and product information. Fairchild and our Authorized Distributors will stand behind all warranties and will appropriately address any warranty issues that may arise. Fairchild will not provide any warranty coverage or other assistance for parts bought from Unauthorized Sources. Fairchild is committed to combat this global problem and encourage our customers to do their part in stopping this practice by buying direct or from authorized distributors.

PRODUCT STATUS DEFINITIONS

Definition of Terms

Datasheet Identification	Product Status	Definition
Advance Information	Formative / In Design	Datasheet contains the design specifications for product development. Specifications may change in any manner without notice.
Preliminary	First Production	Datasheet contains preliminary data; supplementary data will be published at a later date. Fairchild Semiconductor reserves the right to make changes at any time without notice to improve design.
No Identification Needed	Full Production	Datasheet contains final specifications. Fairchild Semiconductor reserves the right to make changes at any time without notice to improve the design.
Obsolete	Not In Production	Datasheet contains specifications on a product that is discontinued by Fairchild Semiconductor. The datasheet is for reference information only.

Rev. I41