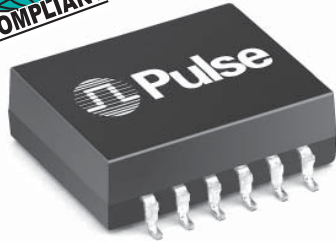


10/100BASE-TX SINGLE PORT TRANSFORMER MODULES

With Various Transmit Turns Ratios



- RoHS peak reflow temperature rating 245°C
- Compact symmetrical size facilitates chip shooter placement and reduces manufacturing time
- Meets IEEE 802.3 specification

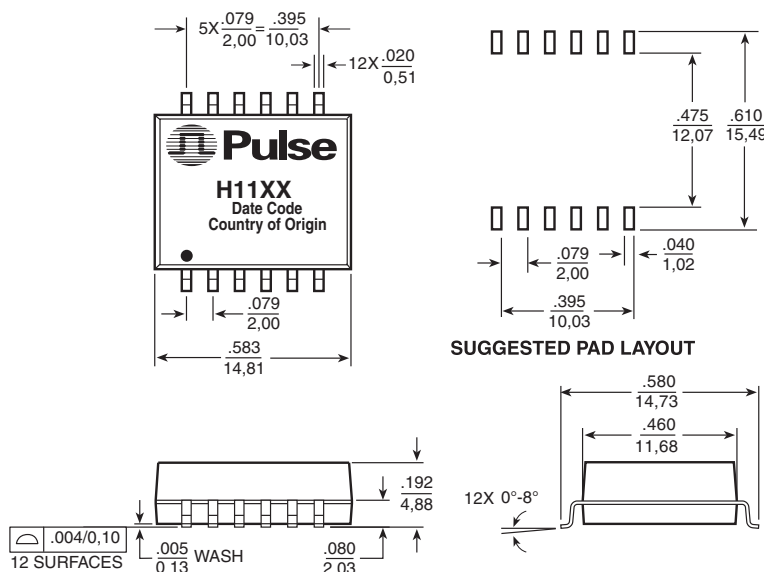
Electrical Specifications @ 25°C — Operating Temperature 0°C to 70°C

| RoHS Compliant Part Number 1 | Turns Ratio (TRANSMIT) | Insertion Loss (dB MAX) | Return Loss (dB MIN) | | | | Differential to Common Mode Rejection (dB TYP) | | | | Crosstalk (dB MIN) | | | | Hipot (Vrms) |
|------------------------------|------------------------|-------------------------|----------------------|----------|--------|--------|--|--------|--------|---------|--------------------|-------|--------|--------|--------------|
| | | | 100 kHz-100 MHz | 1-30 MHz | 40 MHz | 50 MHz | 60-80 MHz | 30 MHz | 60 MHz | 100 MHz | 200 MHz | 1 MHz | 30 MHz | 60 MHz | |
| H1112NL 2c | 1CT:1CT | 1.2 | -16 | -14 | -13 | -12 | -59 | -49 | -42 | -37 | -60 | -40 | -40 | -35 | 1500 |
| H1126NL 2c | 1CT: 2CT | 1.2 | -16 | -14 | -13 | -12 | -59 | -49 | -42 | -37 | -60 | -40 | -40 | -35 | 1500 |

- For Tape & Reel packaging, add a "T" suffix at the end of the part number when ordering e.g. H1112NLT.
- MSL = Moisture Sensitivity Level a = 1, b = 2, c = 3, d = 4

Mechanical

H1112NL, H1126NL



Dimensions: Inches
mm

Unless otherwise specified,
all tolerances are $\pm \frac{.010}{0.25}$

Weight 1.7 grams
Tape & Reel 350/reel
Tube 35/tube

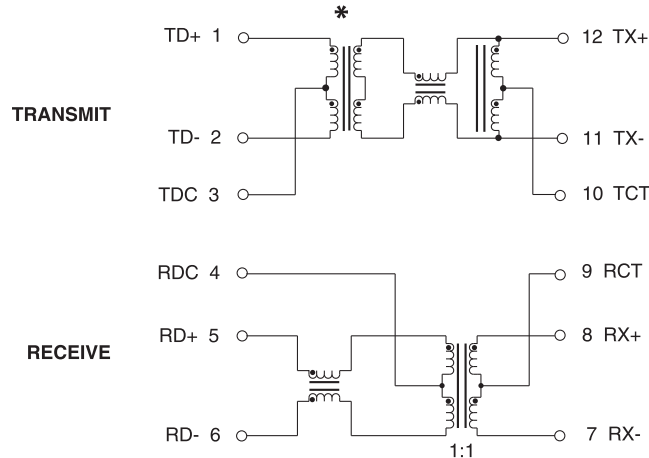
10/100BASE-TX SINGLE PORT TRANSFORMER MODULES

With Various Transmit Turns Ratios



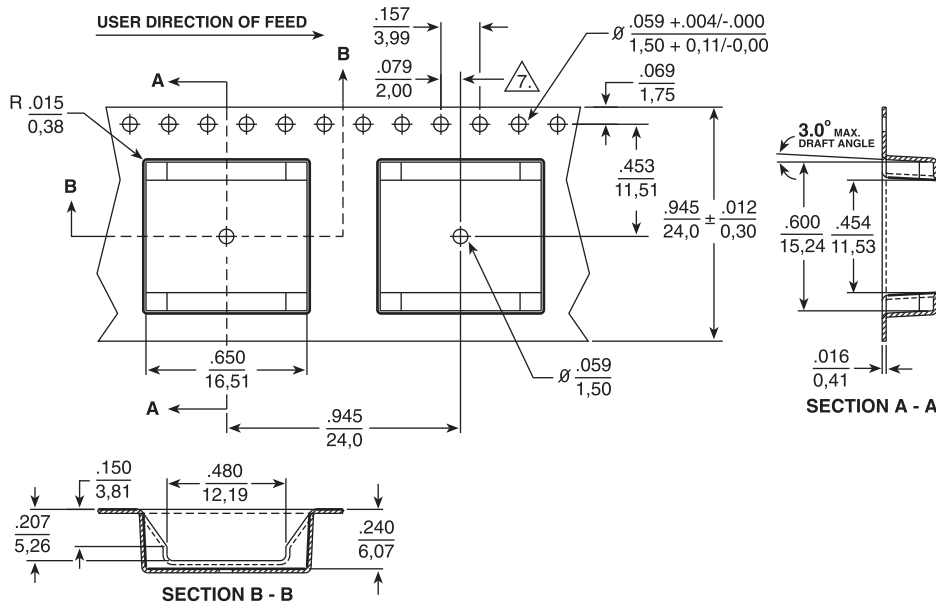
Schematic

H1112NL, H1126NL



* Reference Electrical Specifications chart for turns ratio.

Tape & Reel Specifications



For More Information:

Pulse Worldwide Headquarters

12220 World Trade Dr.
San Diego, CA 92128
U.S.A.

www.pulseeng.com

Tel: 858 674 8100
Fax: 858 674 8262

Pulse Europe

Einsteinstrasse 1
D-71083 Herrenberg
Germany

Tel: 49 7032 7806 0
Fax: 49 7032 7806
135

Pulse China Headquarters

B402, Shenzhen Academy of
Aerospace Technology Bldg.
10th Kejian Rd.
High-Tech Zone
Nanshan District

Shenzhen, PR China 518057
TEL: 86 755 33966678
FAX: 86 755 33966700

Pulse North China

Room 1503
XinYin Building
No. 888 YiShan Rd.
Shanghai 200233
China

Tel: 86 21 54643211/2
Fax: 86 21 54643210

Pulse South Asia

135 Joo Seng Rd.
#03-02
PM Industrial Bldg.
Singapore 368363

TEL: 65 6287 8998
FAX: 65 6280 0080

Pulse North Asia

No. 26, Kao Ching Rd.
Yang Mei Chen
Taoyuan Hsien
Taiwan
R. O. C.

Tel: 886 3 4643715
Fax: 886 3 4641911

Performance warranty of products offered on this data sheet is limited to the parameters specified. Data is subject to change without notice. Other brand and product names mentioned herein may be trademarks or registered trademarks of their respective owners.

© Copyright, 2009. Pulse Engineering, Inc. All rights reserved.