

REV. Status

ISSUE 2
REVISED AND
REDRAWN ON
CAD/CAM
3/31/92 TS

ISSUE 3
TEMECULA
WAS CARSON
ADDED T9320
ADDED SAFETY
7/26/95 TS

ISSUE 4
REVISED DIM
30.5(1.20)MAX
WAS
31.8(1.25)MAX
02/01/96 TS

A. Electrical Specifications (@ 25 ° C)

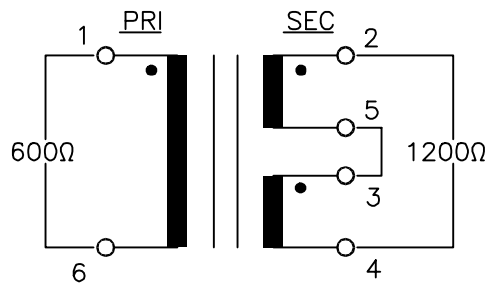
1. Pri Source Impedance; 600 Ω
2. Sec Load Impedance; 600 Ω /600 Ω
3. Pri DC Unbalance Current; 50 mA
4. Operating Level; -45 dBm to +10 dBm
5. Insertion Loss;
 - 1.6 dB MAX @ 1.0 KHz 0 dBm and DC50mA
6. Frequency Response (relative to 1.0 KHz)
 - +0.3dB -0.7dB @ 500 to 3500 Hz 0 dBm and DC50mA
 - +0.3dB -1.6dB @ 300 to 3500 Hz 0 dBm and DC50mA
7. Pri Impedance; 600 Ω ±10% @ 500 Hz 0 dBm and DC50mA
8. Pri Return Loss; 14 dB MIN @ 1.0 KHz 0 dBm and DC50mA
9. Longitudinal Balance; 60 dB MIN @ 200 to 1000 Hz
 - 40 dB MIN @ 4000 Hz
10. Total Harmonic Distortion; 0.5% MAX @ 300 to 3500 Hz 0 dBm and DC50mA
11. DC Resistance;
 - (1-6) = 75 Ω ±10%
 - (2-4) = 170 Ω ±10% (3 and 5 shorted)
12. Turns Ratio; (1-6) : (2-4) = 1 : 1.41 ±2% (3 and 5 shorted)
 - (2-5) : (3-4) = 1 : 1.00 ±1%
13. Dielectric Strength;
 - 1500 Vrms 1 minute @ Pri to Sec, Pri to Core
 - 200 DC 1 minute @ Sec to Sec



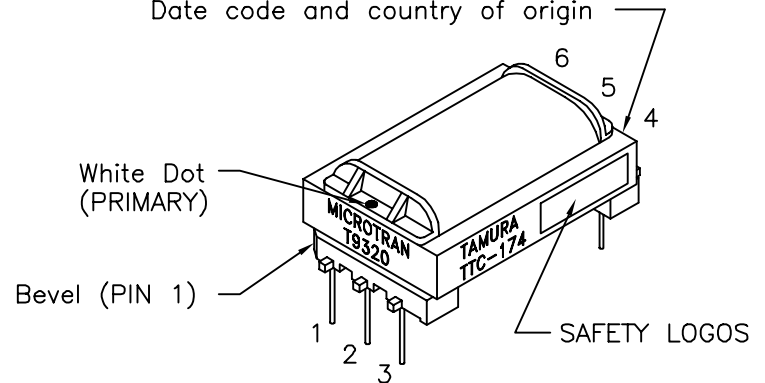
MODEL NUMBER
TTC-174

- B. Marking; TTC-174, TAMURA, T9320, MICROTRAN, date code and country of origin
 C. Safety; CSA 22.2 No. 66-M1988, File No. LR81383
 UL1863 File No. E142035

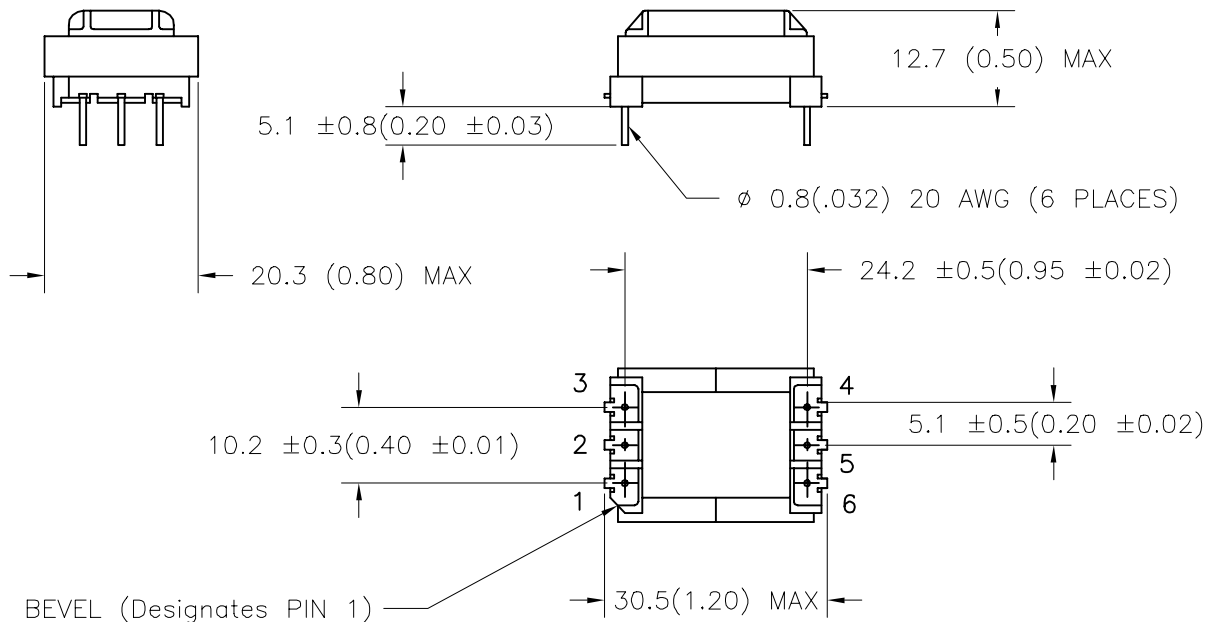
D. Schematic Diagram



Date code and country of origin



E. Mechanical Specifications



TOLERANCES (mm)

≤ 4	± 0.2
4 ≤ 20	± 0.3
20 ≤ 50	± 0.4

PREPARED BY:

K. Brennan

ENGINEER:

T. Shiozawa

QUALITY CONTROL:

V. Casey

APPROVED:

V. Casey

DWG CONTROL NO.
P-A1-10046
ACAD\TTC\A1100461.DWG

REV
C

HYBRID
TRANSFORMER
TAMURA CORPORATION OF AMERICA
43352 BUSINESS PARK DRIVE, TEMECULA, CA. 92590-6624
(909) 699-1270 FAX 9096769482

TTC-174
MODEL SPECIFICATION
DIM: mm(In) SCL: NONE SH: 1 OF 1

PROPRIETARY NOTICE: THIS DRAWING PRINT OR DOCUMENT AND SUBJECT MATTER DISCLOSED HEREIN ARE PROPRIETARY ITEMS TO WHICH TAMURA RETAINS THE EXCLUSIVE RIGHT OF DISSEMINATION, REPRODUCTION, MANUFACTURE AND SALE. THIS DRAWING, PRINT OR DOCUMENT IS SUBMITTED IN CONFIDENCE FOR CONSIDERATION BY THE RECIPIENT ALONE UNLESS PERMISSION FOR FURTHER DISCLOSURE IS EXPRESSLY GRANTED IN WRITING.