

PLEASE CHECK WWW.MOLEX.COM FOR LATEST PART INFORMATION

Part Number: [0510060500](#)
Status: **Active**
Description: 2.00mm (.079") Pitch Wire-to-Wire Plug Housing, 5 Circuits

Documents:

[3D Model](#) [Product Specification PS-51005-001 \(PDF\)](#)
[Drawing \(PDF\)](#) [RoHS Certificate of Compliance \(PDF\)](#)

Agency Certification

CSA LR19980
 UL E29179

General

Product Family Crimp Housings
 Series [51006](#)
 MolexKits Yes
 Product Name N/A

Physical

Circuits (maximum) 5
 Color - Resin Natural
 Flammability 94V-0
 Gender Male
 Glow-Wire Compliant No
 Lock to Mating Part None
 Material - Resin Polyester
 Number of Rows 1
 Packaging Type Bag
 Panel Mount No
 Pitch - Mating Interface (in) 0.079 In
 Pitch - Mating Interface (mm) 2.00 mm
 Stackable No
 Temperature Range - Operating -40°C to +105°C

Electrical

Current - Maximum per Contact 2A

Material Info

Reference - Drawing Numbers

Product Specification PS-51005-001
 Sales Drawing SD-51006-001

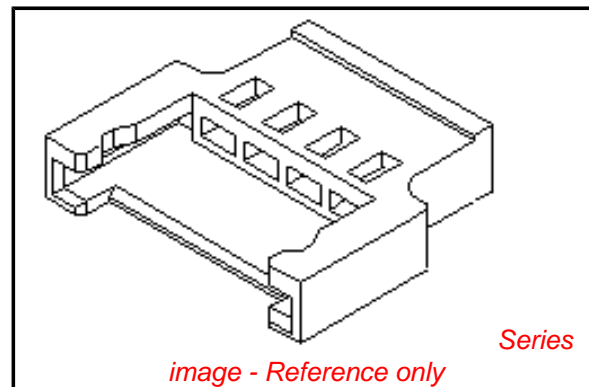


image - Reference only

EU RoHS

**ELV and RoHS
 Compliant**
**REACH SVHC
 Contains SVHC: No**
**Halogen-Free
 Status**

China RoHS



Not Halogen-Free

**Need more information on product
 environmental compliance?**

Email productcompliance@molex.com
 For a multiple part number RoHS Certificate of
 Compliance, [click here](#)

Please visit the [Contact Us](#) section for any
 non-product compliance questions.

Search Parts in this Series

[51006Series](#)

Mates With

[51005 female housing](#)

Use With

[50012](#)

10 9 8 7 6 5 4 3 2 1

F

E

D

C

B

A

F

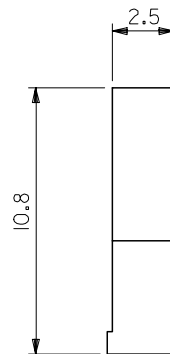
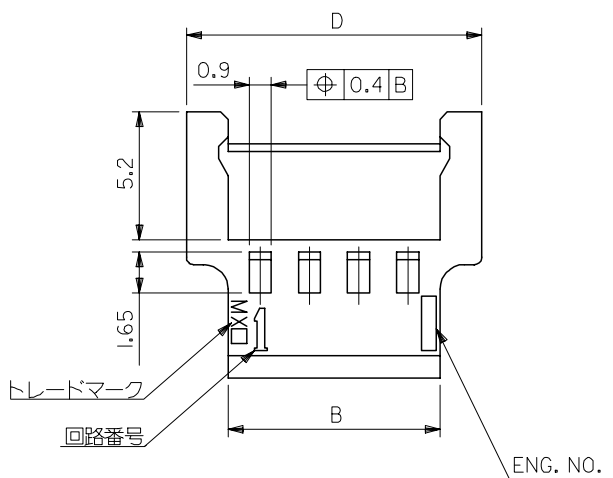
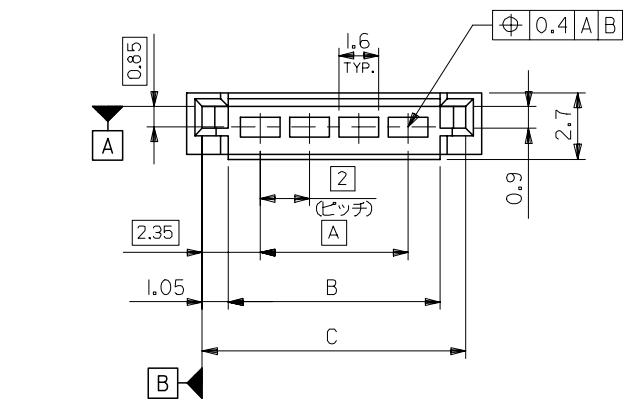
E

D

C

B

A



MATERIAL
PBTP (UL94V-0)

注記

1. 嵌合相手 : 51005
MATE WITH : 51005
2. 適合ターミナル : 50012
APPLICABLE TERMINAL : 50012
3. ELV 及び RoHS 適合品
ELV AND RoHS COMPLIANT.

14	12.7	10.6	8	51006-0500	5
12	10.7	8.6	6	↑ - 0400	4
10	8.7	6.6	4	↓ - 0300	3
8	6.7	4.6	2	51006-0200	2
D	C	B	A	MATERIAL NO.	極数

REVISED EC NO: J2008-0075 DRW: MNABEI 2007/07/16 CHKD: THARUYAMA 2007/07/17 APPR: NUKITA 2007/07/17	GENERAL TOLERANCES (UNLESS SPECIFIED)		DIMENSION STYLE MM ONLY	SCALE 5:1	DESIGN UNITS METRIC	THIRD ANGLE PROJECTION
	DESCRIPTION		DRAWN BY S. MOCHIZUKI	DATE '89/08/22	TITLE 2.0 WIRE TO WIRE CONN. PLUG HOUSING	
	10 UNDER	± 0.2	CHECKED BY H. H.	DATE '90/05/16	MOLEX INCORPORATED	
	10 OVER 30 UNDER	± 0.25	APPROVED BY M. ENOMOTO	DATE '90/05/16	DOCUMENT NO. SD-51006-001	
	30 OVER	± 0.3	MATERIAL NO.	SEE TABLE	SHEET NO. 1 OF 1	
	ANGULAR	± 3 °	DRAFT WHERE APPLICABLE MUST REMAIN WITHIN DIMENSIONS			
REV D	SIZE A3	THIS DRAWING CONTAINS INFORMATION THAT IS PROPRIETARY TO MOLEX INCORPORATED AND SHOULD NOT BE USED WITHOUT WRITTEN PERMISSION				