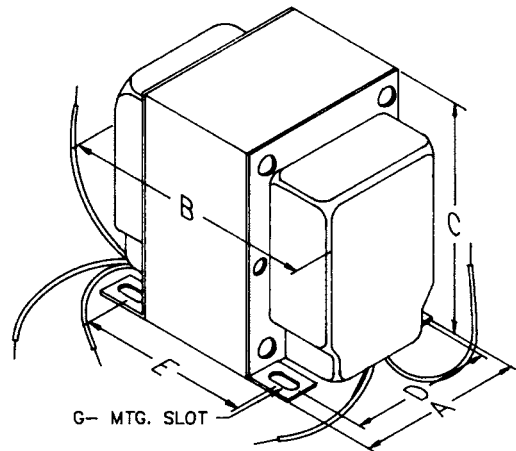


Single Ended **Audiophile - Tube Output (1627-1642 Series)**



SINGLE-ENDED "CLASSIC" TUBE OUTPUT - ULTRA-LINEAR

Tube Audio

- "Over designed" for high-fidelity, single ended, Class-A, tube output circuits (triode, tetrode or pentode tubes).
- Enclosed (shielded), four slot, chassis Type "X" mounting.
- Frequency response at least 20 Hz. to 20 KHz. at full rated power (+/- 1 db max., ref. 1 KHz.)
- Units are designed to provide ample "headroom" at bass frequencies (note the weight of each transformer).
- All models have a secondary tapped for 4, 8 or 16 ohm outputs.
- Insulated flexible leads 8" min.
- For maximum versatility, all units (except the 1642SE & 1638SEA) include a 40% screen tap for Ultra-Linear, tetrode/pentode operation (if desired).
- The 1642SE & 1638SEA do NOT include a screen tap as they were designed principally for high impedance triode tubes.
- High quality laminations, (M6) grain oriented silicon steel.
- Core is gapped to reduce core saturation in Class-A, tube amplifier circuits.
- For general purpose or replacement use in single ended, tube output circuits see our 125 "SE" series.

| Part Number | Audio Watts | Primary | | | Ultra-Linear 40% Primary Tap | Hipot Test (VRMS) | Dimensions (Inches) | | | | | | Wt. Lbs. |
|----------------|-------------|-----------|--------------|-------------------|------------------------------|-------------------|---------------------|------|------|------|------|-------------|----------|
| | | Impedance | Max. DC Bias | Inductance Henrys | | | A | B | C | D | E | G Slot | |
| 1640SEA | 30 | 1,250 | 200 ma. | 14 | Yes | 2,000 | 3.75 | 4.95 | 4.56 | 3.00 | 3.90 | .203 x .375 | 11 |
| 1627SEA | 30 | 2,500 | 160 ma. | 20 | Yes | 2,000 | 3.75 | 4.50 | 4.56 | 3.00 | 3.13 | .203 x .375 | 11 |
| 1630SEA | 30 | 3,500 | 135 ma. | 42 | Yes | 2,000 | 3.75 | 4.98 | 4.65 | 3.00 | 3.90 | .203 x .375 | 11 |
| 1628SEA | 30 | 5,000 | 120 ma. | 48 | Yes | 2,000 | 3.75 | 4.50 | 4.56 | 3.00 | 3.13 | .203 x .375 | 11 |
| 1642SE | 75 | 5,000 | 300 ma. | 53 | No | 3,500 | 4.38 | 7.50 | 5.25 | 3.50 | 5.88 | .203 x .375 | 28 |
| 1629SEA | 30 | 6,500 | 100 ma. | 55 | Yes | 2,000 | 3.75 | 4.50 | 4.56 | 3.00 | 3.88 | .203 x .375 | 11 |
| 1638SEA | 30 | 10,000 | 90 ma. | 88 | No | 2,000 | 3.75 | 4.50 | 4.56 | 3.00 | 3.13 | .203 x .375 | 11 |



CANADA
Guelph, Ontario (519) 822-2960
St. Laurent, Quebec (514) 343-9010
USA
Cheektowaga, NY (716) 630-7030

www.hammondmfg.com



EUROPE
Basingstoke, UK 01256 812812

AUSTRALIA
Queenstown, Australia 61-8-8240-2244

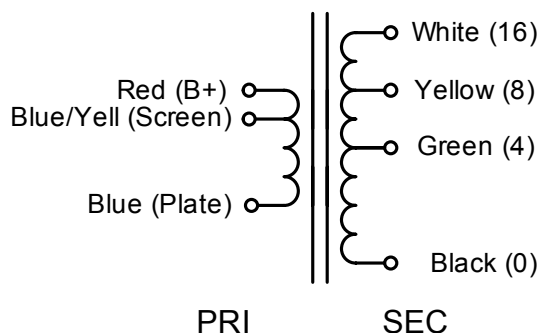
Single Ended *Audiophile - Tube Output (1627-1642 Series)*

Suggested Tube Types

| Part No. | Triodes | Pentodes |
|----------------|---|--|
| 1640SEA | Parallel - 2A3, 6A3, 6B4G, 300B, 572B, 811A | Parallel - 6550, 6CA7 |
| 1627SEA | 2A3, 6A3, 6B4G, 300B | 6CA7, 6L6, 807, 5881, 6550, Parallel - 6AQ5, 6V6, EL84 |
| 1630SEA | 2A3, 6A3, 6B4G, 300B | 6CA7, 6L6, 807, 5881, 6550, Parallel - 6AQ5, 6V6, EL84 |
| 1628SEA | 211, 300B, 572B, 811A | 6AQ5, 6V6, 6L6, 807, 5881, 6550, EL84 |
| 1642SE | Parallel - 211, 572, 811A, 845 | - |
| 1629SEA | 211, 811A, 572B, 845 | 6AQ5, 6V6, 6L6, 807, 5881, 6550, EL84 |
| 1638SEA | 211, 845 | - |

Note: The above examples of possible combinations are to help you narrow down the choices of transformers for your favorite tube types. How you operate the tubes (ultra-linear, bias, plate voltage, operating points etc.) will change optimum plate load impedance. Only a few of the most popular tubes are shown. A tube manual or tube manufacturer's technical data sheets should be consulted first, before making a decision on a proper output transformer.

Transformer Schematic



Notes:

- The **1642SE** and **1638SEA** do not include a primary screen tap (as they are designed for triode applications).
- Red wire connects to B+
- Blue/Yell wire connects to screen (optional use)
- Blue wire connects to tube plate

Tube Audio

EUROPE

Basingstoke, UK 01256 812812

AUSTRALIA

Queenstown, Australia 61-8-8240-2244

www.hammondmfg.com



CANADA

Guelph, Ontario (519) 822-2960
St. Laurent, Quebec (514) 343-9010

USA

Cheektowaga, NY (716) 630-7030

