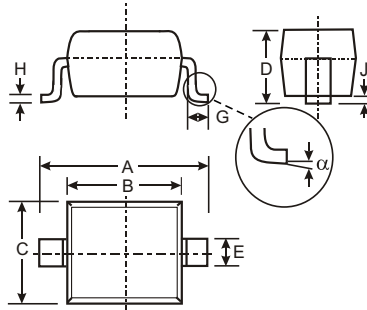


Features

- Fast Switching Speed
- Surface Mount Package Ideally Suited for Automatic Insertion
- For General Purpose Switching Applications
- High Conductance
- Lead Free/RoHS Compliant (Note 3)
- Qualified to AEC-Q101 Standards for High Reliability

Mechanical Data

- Case: SOD-323
- Case Material: Molded Plastic. UL Flammability Classification Rating 94V-0
- Moisture Sensitivity: Level 1 per J-STD-020C
- Terminal Connections: Cathode Band, See Page 2
- Terminals: Solderable per MIL-STD-202, Method 208
- Lead Free Plating (Matte Tin Finish annealed over Alloy 42 leadframe).
- BAV19WS Marking: A8 or T2 or T3
- BAV20WS Marking: T2 or T3
- BAV21WS Marking: T3
- Weight: 0.004 grams (approx.)



SOD-323		
Dim	Min	Max
A	2.30	2.70
B	1.60	1.80
C	1.20	1.40
D	1.05 Typical	
E	0.25	0.35
G	0.20	0.40
H	0.10	0.15
J	0.05 Typical	
	0	8
All Dimensions in mm		

Maximum Ratings @ T_A = 25 C unless otherwise specified

Characteristic	Symbol	BAV19WS	BAV20WS	BAV21WS	Unit
Repetitive Peak Reverse Voltage	V _{RRM}	120	200	250	V
Working Peak Reverse Voltage DC Blocking Voltage	V _{RWM} V _R	100	150	200	V
RMS Reverse Voltage	V _{R(RMS)}	71	106	141	V
Forward Continuous Current (Note 1)	I _{FM}		400		mA
Average Rectified Output Current (Note 1)	I _O		200		mA
Non-Repetitive Peak Forward Surge Current @ t = 1.0 s @ t = 1.0s	I _{FSM}		2.5 0.5		A
Repetitive Peak Forward Surge Current	I _{FRM}		625		mA
Power Dissipation	P _d		200		mW
Thermal Resistance Junction to Ambient Air (Note 1)	R _{JA}		625		C/W
Operating and Storage Temperature Range	T _j , T _{STG}		-65 to +150		C

Electrical Characteristics @ T_A = 25 C unless otherwise specified

Characteristic	Symbol	Min	Max	Unit	Test Condition
Reverse Breakdown Voltage (Note 2)	BAV19WS BAV20WS BAV21WS V _{(BR)R}	120 200 250		V	I _R = 100 A
Forward Voltage	V _F		1.0 1.25	V	I _F = 100mA I _F = 200mA
Peak Reverse Current @ Rated DC Blocking Voltage (Note 2)	I _R		100 15	nA A	T _j = 25 C T _j = 100 C
Total Capacitance	C _t		5.0	pF	V _R = 0, f = 1.0MHz
Reverse Recovery Time	t _{rr}		50	ns	I _F = I _R = 30mA, I _{rr} = 0.1 x I _R , R _L = 100

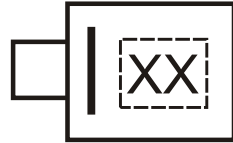
- Note:
- Part mounted on FR-4 PC board with recommended pad layout, which can be found on our website at <http://www.diodes.com/datasheets/ap02001.pdf>.
 - Short duration pulse test used to minimize self-heating effect.
 - No purposefully added lead.

Ordering Information (Note 4)

Device	Packaging	Shipping
BAV19WS-7-F	SOD-323	3000/Tape & Reel
BAV20WS-7-F	SOD-323	3000/Tape & Reel
BAV21WS-7-F	SOD-323	3000/Tape & Reel

Notes: 4. For Packaging Details, go to our website at: <http://www.diodes.com/datasheets/ap02007.pdf>.

Marking Information



XX = Product Type Marking Code
(See Page 1)

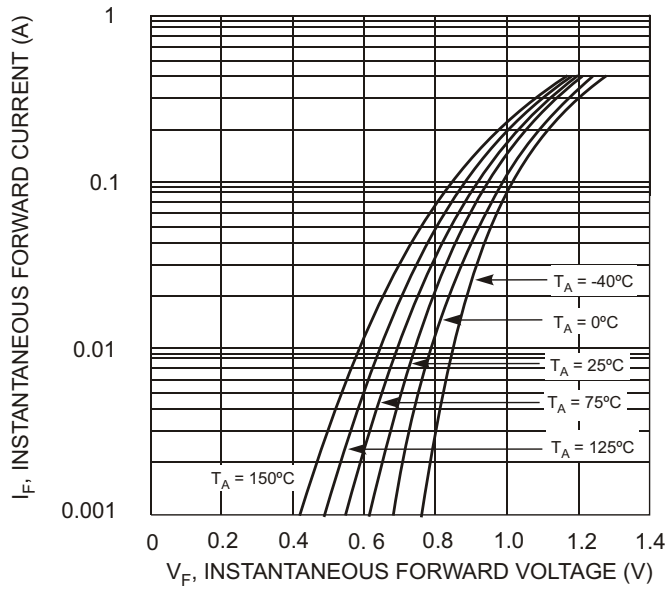


Fig. 1 Typical Forward Characteristics

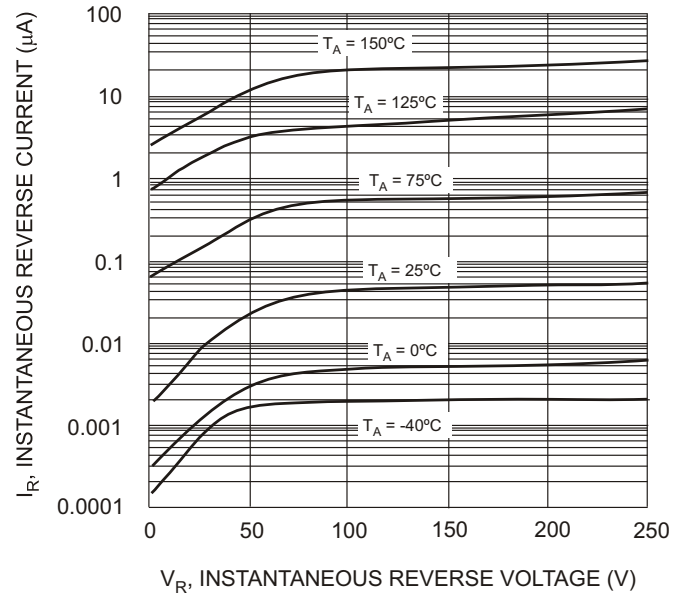


Fig. 2 Typical Reverse Characteristics

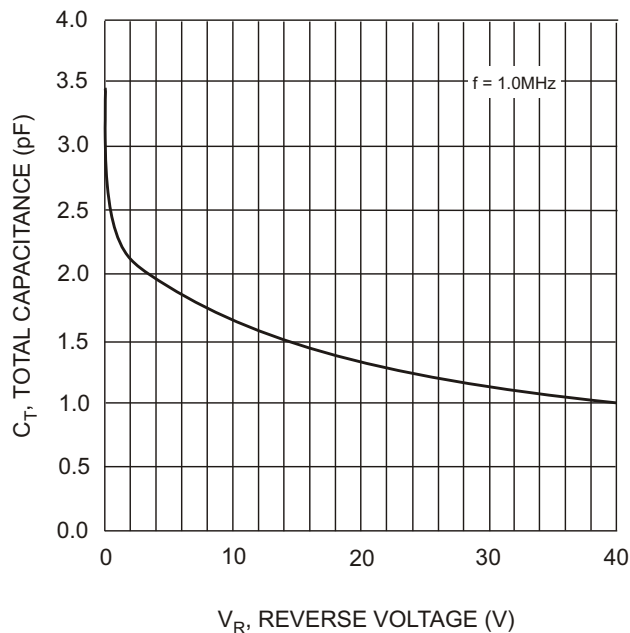


Fig. 3 Typical Capacitance vs. Reverse Voltage

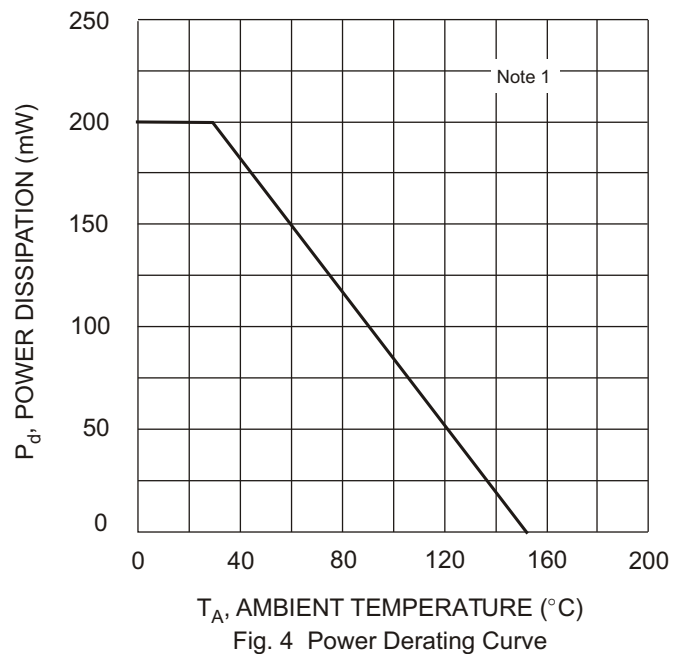


Fig. 4 Power Derating Curve

IMPORTANT NOTICE

Diodes Incorporated and its subsidiaries reserve the right to make modifications, enhancements, improvements, corrections or other changes without further notice to any product herein. Diodes Incorporated does not assume any liability arising out of the application or use of any product described herein; neither does it convey any license under its patent rights, nor the rights of others. The user of products in such applications shall assume all risks of such use and will agree to hold Diodes Incorporated and all the companies whose products are represented on our website, harmless against all damages.

LIFE SUPPORT

Diodes Incorporated products are not authorized for use as critical components in life support devices or systems without the expressed written approval of the President of Diodes Incorporated.