

# CXA1782CQ/CR

## RF Signal Processing Servo Amplifier for CD players

**Description**

The CXA1782CQ/CR is a bipolar IC with built-in RF signal processing and various servo ICs. A CD player servo can be configured by using this IC, DSP and driver.

**Features**

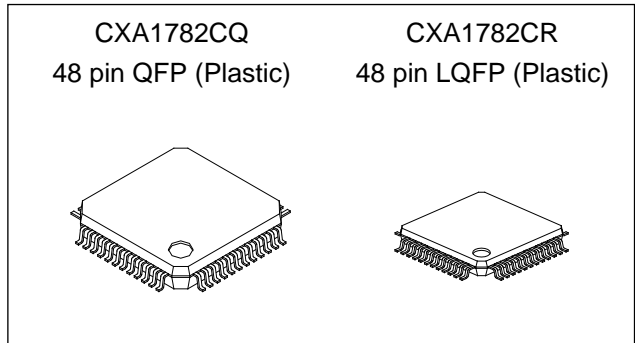
- Low operating voltage ( $V_{CC} - V_{EE} = 3.0$  to  $11.0V$ )
- Low power consumption ( $39mW$ ,  $V_{CC} = 3.0V$ )
- Supports pickup of either current output, voltage output
- Automatic adjustment comparator for tracking balance gain
- Single power supply and positive/negative dual power supplies

**Applications**

- RF I-V amplifier, RF amplifier
- Focus and tracking error amplifier
- APC circuit
- Mirror detection circuit
- Defect detection and prevention circuits
- Focus servo control
- Tracking servo control
- Sled servo control
- Comparators of tracking adjustment for balance and gain

**Structure**

Bipolar silicon monolithic IC



**Absolute Maximum Ratings** ( $T_a = 25^{\circ}C$ )

- Supply voltage  $V_{CC}$  12 V
- Operating temperature  $T_{opr}$   $-20$  to  $+75$   $^{\circ}C$
- Storage temperature  $T_{stg}$   $-65$  to  $+150$   $^{\circ}C$
- Allowable power dissipation
 

$P_D$	$833$ (CXA1782CQ)	$mW$
	$457$ (CXA1782CR)	$mW$

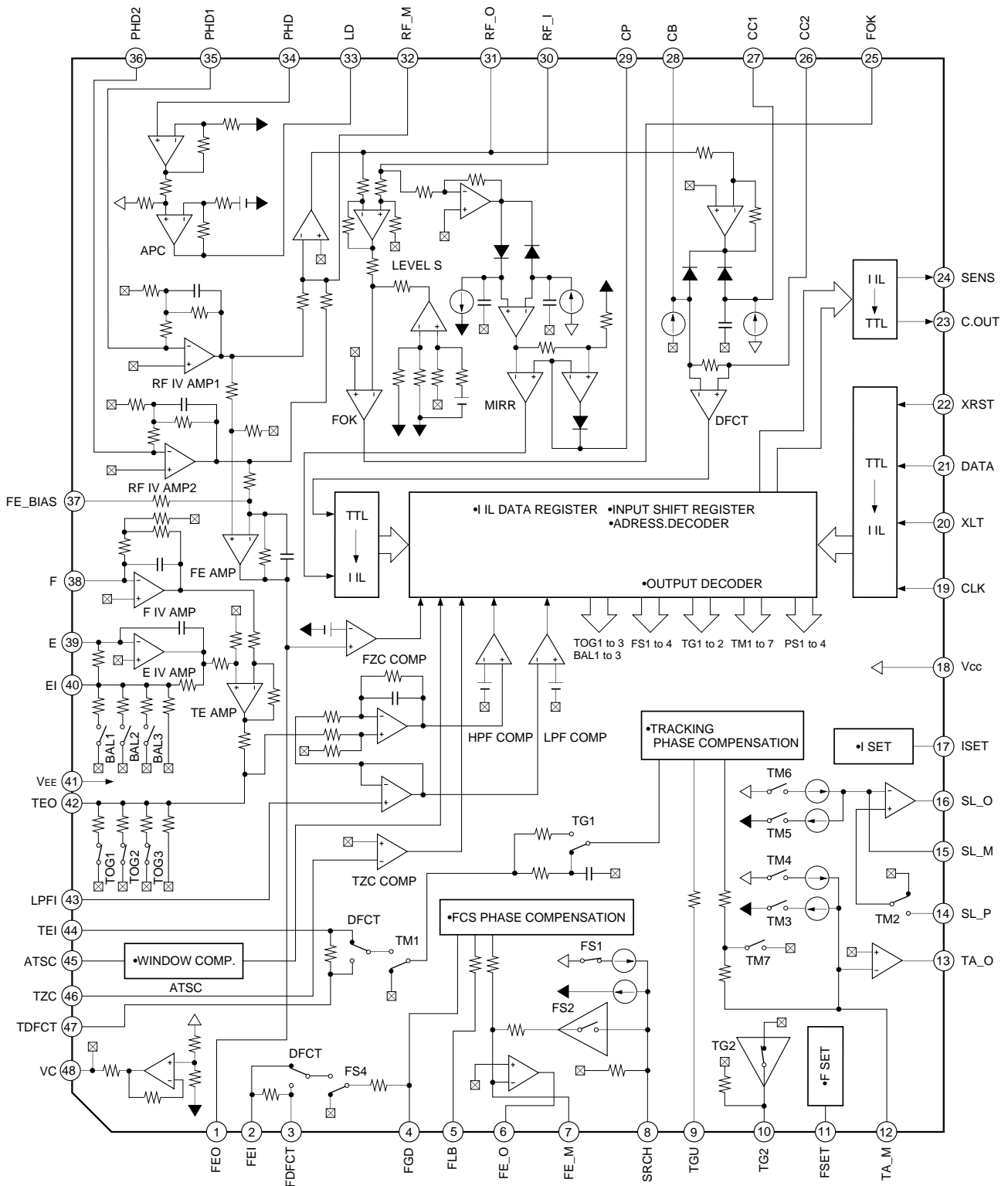
**Recommended Operating Condition**

- Operating supply voltage
 

$V_{CC} - V_{EE}$	$3.0$ to $11.0$	$V$
-------------------	-----------------	-----

Sony reserves the right to change products and specifications without prior notice. This information does not convey any license by any implication or otherwise under any patents or other right. Application circuits shown, if any, are typical examples illustrating the operation of the devices. Sony cannot assume responsibility for any problems arising out of the use of these circuits.

Block Diagram



- The switch state in Block Diagram is for initial resetting.
- Switch turns to ◦ side for 1 and to ● side for 0 in Serial Data Truth Table.
- DFCT switch turns to ◦ side when defect signal generates for DEFECT = E in Serial Data Truth Table.
- TG1 switch turns to ◦ side and TG2 switch is left open when TG1 and TG2 (address 1 : D3) is 1.

Pin Description

Pin No.	Symbol	I/O	Equivalent circuit	Description
1	FEO	O		Focus error amplifier output. Connected internally to the FZC comparator input.
2	FEI	I		Focus error input.
3	FDFCT	I		Capacitor connection pin for defect time constant.
4	FGD	I		Ground this pin through a capacitor when decreasing the focus servo high-frequency gain.
5	FLB	I		External time constant setting pin for increasing the focus servo low-frequency.
6	FE_O	O		Focus drive output.
13	TA_O	O		Tracking drive output.
16	SL_O	O		Sled drive output.
7	FE_M	I		Focus amplifier inverted input.

Pin No.	Symbol	I/O	Equivalent circuit	Description
8	SRCH	I		External time constant setting pin for generating focus servo waveform.
9	TGU	I		External time constant setting pin for switching tracking high-frequency gain.
10	TG2	I		External time constant setting pin for switching tracking high-frequency gain.
11	FSET	I		High cut-off frequency setting pin for focus and tracking phase compensation amplifier.
12	TA_M	I		Tracking amplifier inverted input.
14	SL_P	I		Sled amplifier non-inverted input.
15	SL_M	I		Sled amplifier inverted input.

Pin No.	Symbol	I/O	Equivalent circuit	Description
17	ISET	I		Setting pin for Focus search, Track jump, and Sled kick current.
19	CLK	I		Serial data transfer clock input from CPU. (no pull-up resistance)
20	XLT	I		Latch input from CPU. (no pull-up resistance)
21	DATA	I		Serial data input from CPU. (no pull-up resistance)
22	XRST	I		Reset input; resets at Low. (no pull-up resistance)
23	C. OUT	O		Track number count signal output.
24	SENS	O		Outputs FZC, DFCT, TZC, gain, balance, and others according to the command from CPU.
25	FOK	O		Focus OK comparator output.
26	CC2	I		Input for the DEFECT bottom hold output with capacitance coupled.
27	CC1	O		DEFECT bottom hold output.
28	CB	I		Connection pin for DEFECT bottom hold capacitor.

Pin No.	Symbol	I/O	Equivalent circuit	Description
29	CP	I		Connection pin for MIRR hold capacitor. MIRR comparator non-inverted input.
30	RF_I	I		Input for the RF summing amplifier output with capacitance coupled.
31	RF_O	O		RF summing amplifier output. Eye-pattern check point.
32	RF_M	I		RF summing amplifier inverted input. The RF amplifier gain is determined by the resistance connected between this pin and RFO pin.
33	LD	O		APC amplifier output.
34	PHD	I		APC amplifier input.
35 36	PHD1 PHD2	I I		RF I-V amplifier inverted input. Connect these pins to the photo diode A + C and B + D pins.

Pin No.	Symbol	I/O	Equivalent circuit	Description
37	FE_BIAS	I		Bias adjustment of focus error amplifier.
38 39	F E	I I		F I-V and E I-V amplifier inverted input. Connect these pins to photo diodes F and E.
40	EI	—		I-V amplifier E gain adjustment. (When not using automatic balance adjustment)
42	TEO	O		Tracking error amplifier output. E-F signal is output.
43	LPFI	I		Comparator input for balance adjustment. (Input from TEO through LPF)

Pin No.	Symbol	I/O	Equivalent circuit	Description
44	TEI	I		Tracking error input.
47	TDFCT	I		Capacitor connection pin for defect time constant.
45	ATSC	I		Window comparator input for ATSC detection.
46	TZC	I		Tracking zero-cross comparator input.
48	VC	O		$(V_{CC} + V_{EE})/2$ DC voltage output.



(VCC = 1.5V, VEE = -1.5V, Ta = 25°C)

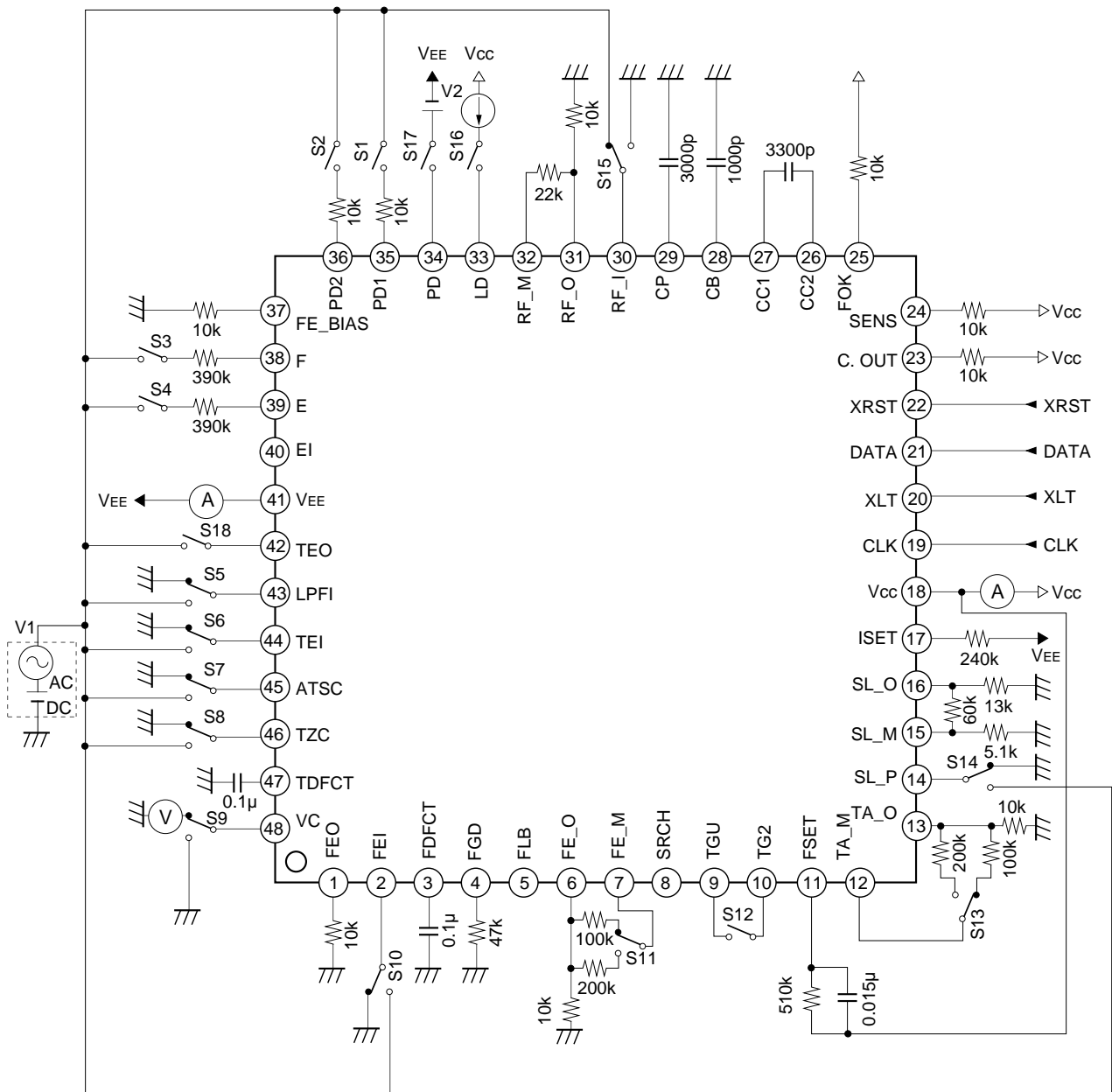
Electrical Characteristics

Item	SW conditions																		SD	Measurement pin	Measurement conditions	Ratings			Unit			
	1	2	3	4	5	6	7	8	9	10	11	12	13	14	15	16	17	18				Min.	Typ.	Max.				
T1																			RST	18				10	14	20	mA	
T2																					41				-20	-14	-10	mA
T3																					31				-50	0	50	mV
T4		O																						25.1	28.1	31.1	dB	
T5		O																						1.2	1.3	—	V	
T6		O																						—	-0.9	-0.3	V	
T7																								-120	0	120	mV	
T8		O																						27.0	30.0	33.0	dB	
T9		O																						27.0	30.0	33.0	dB	
T10																								-3.0	0	3.0	dB	
T11		O																						1.0	1.3	—	V	
T12		O																						—	-1.3	-1.0	V	
T13																								-25	0	25	mV	
T14			O																					0.5	3.5	6.5	dB	
T15			O																					-2.33	-1.83	-1.33	dB	
T16			O																					-3.93	-3.43	-2.93	dB	
T17			O																					-6.69	-6.19	-5.69	dB	
T18				O																				-0.6	2.4	5.4	dB	
T19					O																			0.1	0.4	0.7	dB	
T20						O																		0.4	0.7	1.0	dB	

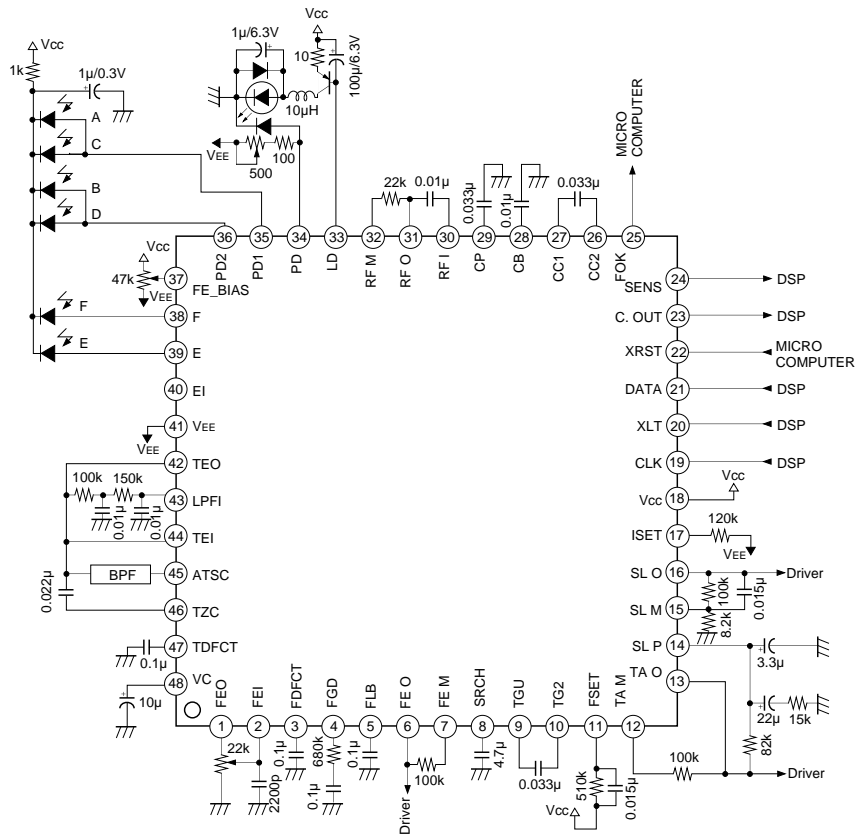
	Item	SW conditions																		SD	Measurement pin	Measurement conditions	Ratings			Unit
		1	2	3	4	5	6	7	8	9	10	11	12	13	14	15	16	17	18				Min.	Typ.	Max.	
T21	Voltage gain E3				O															33	42	V1 = 1kHz BAL3: ON Reference to E0	1.08	1.38	1.68	dB
T22	Max. output voltage-High			O																3F		V1 = 1Vdc BAL2: ON	0.5	0.6	—	V
T23	Max. output voltage-Low				O															3F		V1 = 1Vdc BAL2: ON	—	-0.6	-0.5	V
T24	Output voltage 1																O				33	V2 = 120mV	-900		-480	mV
T25	Output voltage 2															O						V2 = 145mV	-900		380	mV
T26	Output voltage 3															O						V2 = 170mV	-180		1120	mV
T27	Output voltage 4															O	O					0.8mA sink	-200		500	mV
T28	Center amplifier output offset							O													48		-100		100	mV
T29	DC voltage gain								O											08	6		18	21.0	24	dB
T30	FCS total gain																					T29 + T8 (or T9)	49	51	53	dB
T31	Feed through									O										00		Output gain difference between SD = 00 and SD = 08.			-35	dB
T32	Max. output voltage-High									O	O									08		V1 = 200mVdc	1.0	1.3	—	V
T33	Max. output voltage-Low									O	O									08		V1 = -200mVdc	—	-1.3	-1.0	V
T34	Search voltage (-)																			02			-640	-500	-360	mV
T35	Search voltage (+)																			03			360	500	640	mV
T36	FZC threshold																			00	24	Pin 1 threshold (preliminary)	185	225	265	mV
T37	DC voltage gain					O														25	13		12.25	14.6	17.6	dB
T38	TRK total gain																					T37 + T14	16.1	18.1	20.1	dB
T39	Feed through						O															Output gain difference between SD = 20 and SD = 25.			-39	dB
T40	Max. output voltage-High						O						O									V1 = -0.5Vdc	1.0	1.3		V

	Item	SW conditions																SD	Measure- ment pin	Measurement conditions	Ratings			Unit		
		1	2	3	4	5	6	7	8	9	10	11	12	13	14	15	16				17	18	Min.		Typ.	Max.
T41	Max. output voltage-Low					○						○							25	13	V1 = +0.5Vdc			-1.3	-1.0	V
T42	Jump output voltage (-)																		2C				-640	-500	-360	mV
T43	Jump output voltage (+)																		28	▶			360	500	640	mV
T44	ATSC threshold (-)						○												25	10			-25	-15	-7	mV
T45	ATSC threshold (+)						○												25	▶			7	15	25	mV
T46	TZC threshold							○											25	24			-20	0	20	mV
T47	BAL COMP threshold					○													30				12	17	22	mV
T48	GAIN COMP threshold																	○	38	▶		120	130	140	mV	
T49	FOK threshold																		▶	25		-400	-356	-330	mV	
T50	DC open gain													○					25	16		50				dB
T51	Feed through													○					20		Output gain difference between SD = 20 and SD = 25.				-34	dB
T52	Max. output voltage-High													○					25		V1 = +0.4Vdc		1.0	1.3		V
T53	Max. output voltage-Low													○					▶		V1 = -0.4Vdc			-1.3	-1.0	V
T54	Kick voltage (-)																		23				-750	-600	-450	mV
T55	Kick voltage (+)																		22	▶			450	600	750	mV
T56	Max. operating frequency														○				14	23	Measures at C. OUT pin.		30			kHz
T57	Min. input operating voltage														○						Measures at C. OUT pin.				0.3	Vp-p
T58	Max. input operating voltage															○			▶		Measures at C. OUT pin.		1.8			Vp-p
T59	Min. operating frequency		○																10	24	Measures at SENS pin.				1	kHz
T60	Max. operating frequency		○																		Measures at SENS pin.					kHz
T61	Min. input operating voltage		○																		Measures at SENS pin.				0.5	Vp-p
T62	Max. input operating voltage		○																▶		Measures at SENS pin.		1.8			Vp-p

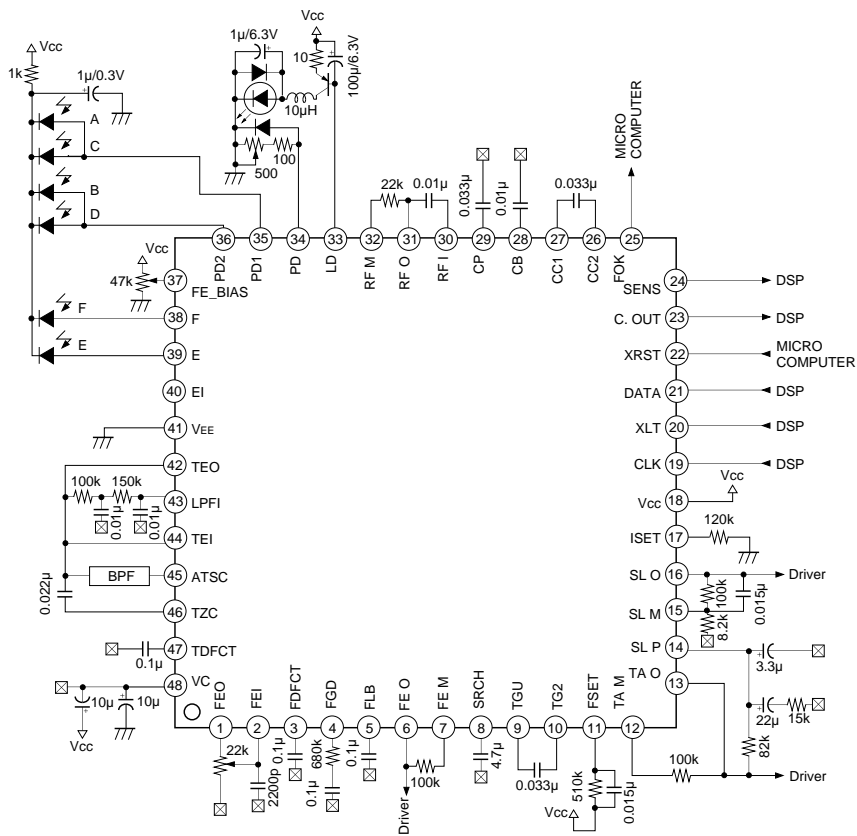
Electrical Characteristics Measurement Circuit



Application Circuit (Dual  $\pm 5V$  power supplies)



Application Circuit (Single +3V power supply)

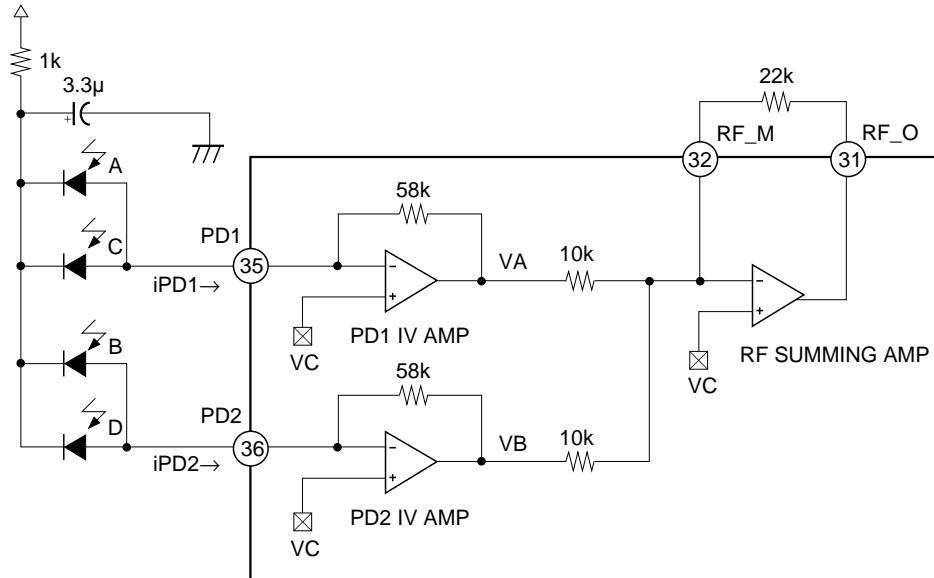


Application circuits shown are typical examples illustrating the operation of the devices. Sony cannot assume responsibility for any problems arising out of the use of these circuits or for any infringement of third party patent and other right due to same.

**Description of Functions**

**RF Amplifier**

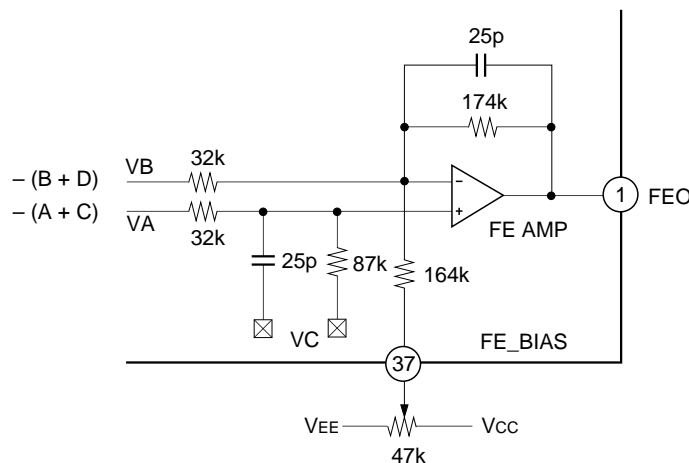
The photo diode currents input to the input pins (PD1 and PD2) are each I-V converted via a 58kΩ equivalent resistor by the PD I-V amplifiers. these signals are added by the RF summing amplifier, and the photo diode (A + B + C + D) current-voltage converted voltage is output to the RFO pin. An eye-pattern check can be performed at this pin.



The low frequency component of the RFO output voltage is  $V_{RFO} = 2.2 \times (V_A + V_B) = 127.6k\Omega \times (i_{PD1} + i_{PD2})$ .

**Focus Error Amplifier**

The focus error amplifier calculates the difference between output VA and VB of the RF I-V amplifier, and output current-voltage converted voltage of the photo diode (A + C – B – D).

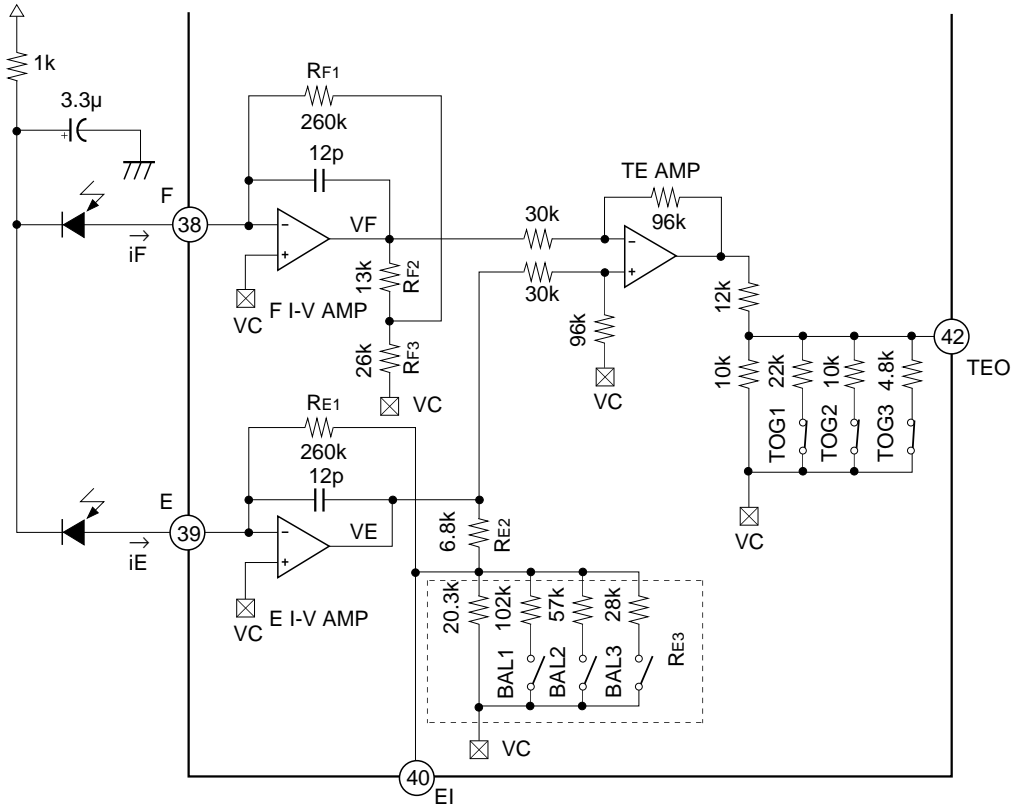


The FEO output voltage (low frequency) is  $V_{FEO} = 5.4 \times (V_A - V_B) = (i_{PD2} - i_{PD1}) \times 315k\Omega$ .

Be aware that the rotation of the focus bias volume has reversed for the usual CD RF IC.

**Tracking Error Amplifier**

The photo diode currents input to E and F pins are each current-voltage converted by the E I-V and F I-V amplifiers.



The CXA1782 tracking block has built-in circuits for balance and gain adjustments to enable software-based automatic adjustment.

The balance adjustment is performed by varying the combined resistance value of the T-configured feedback resistance at E I-V AMP.

$$F \text{ I-V AMP feedback resistance} = R_{F1} + R_{F2} + \frac{R_{F1} \times R_{F2}}{R_{F3}} = 403k\Omega$$

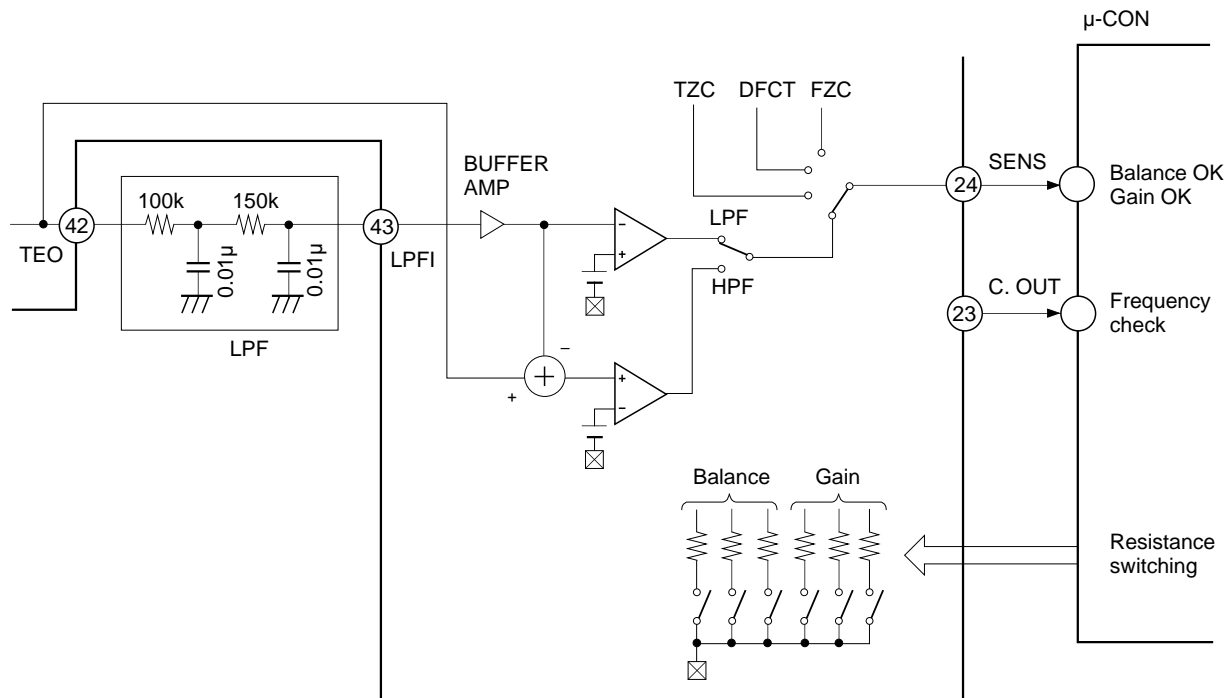
$$E \text{ I-V AMP feedback resistance} = R_{E1} + R_{E2} + \frac{R_{E1} \times R_{E2}}{R_{E3}}$$

Vary the value of RE3 in the formula above by using the balance adjustment switches (BAL1 to BAL3).

For the gain adjustment, the TE AMP output is resistance-divided by the gain adjustment switches (TOG1 to TOG3), and it is output at Pin 42.

These balance and gain adjustment switches are controlled through software commands.

## Tracking Automatic Adjustment for Gain/Balance



The CXA1782 has balance control, gain control, and comparator circuits required to perform tracking automatic adjustment. LPF is set externally at approximately 100Hz.

- Balance adjustment

This adjustment is performed by routing the tracking error signal (TE signal) through the LPF, extracting the offset DC, and comparing it to the reference level.

However, the TE signal frequency distribution ranges from DC to 2kHz. Merely sending the signal through the LPF leaves lower frequency components, and the complete DC offset can not be extracted. To extract it, monitor the TE signal frequency at all times, and perform adjustment only when a frequency that can lower a sufficient gain appears on the LPF. Use the C. OUT output to check this frequency.

- Gain adjustment

This adjustment is performed by passing the TE signal through the HPF and comparing the AC component to the reference level. The HPF signal is implemented by taking the difference between the TE signal and the LPF component input to Pin 43.

The comparison signal is output from Pin 24 (SENS). Address 3 selects the automatic adjustment comparator output, and HPF for data (D3) = 1 or LPF for data (D3) = 0 is selected.

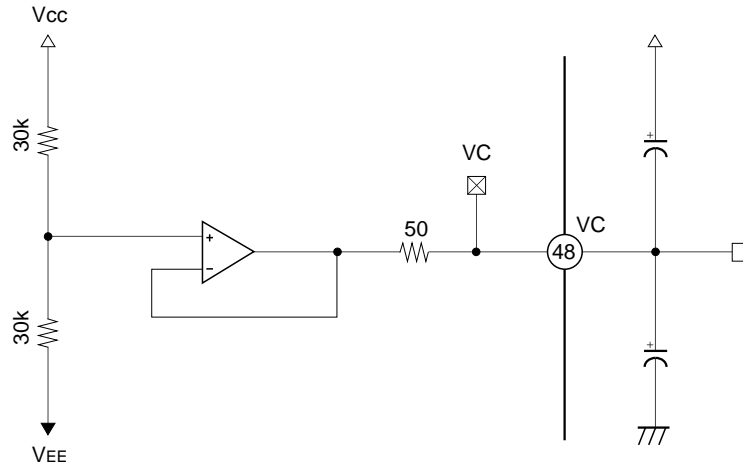
- The anti-shock circuit always operates in the CXA1782 so that TG1 and TG2 (address 1 : D3) should be set to 1 for tracking adjustment to prevent this effect.

When the anti-shock function is not used, Pin 45 (ATSC) should be fixed to VC.



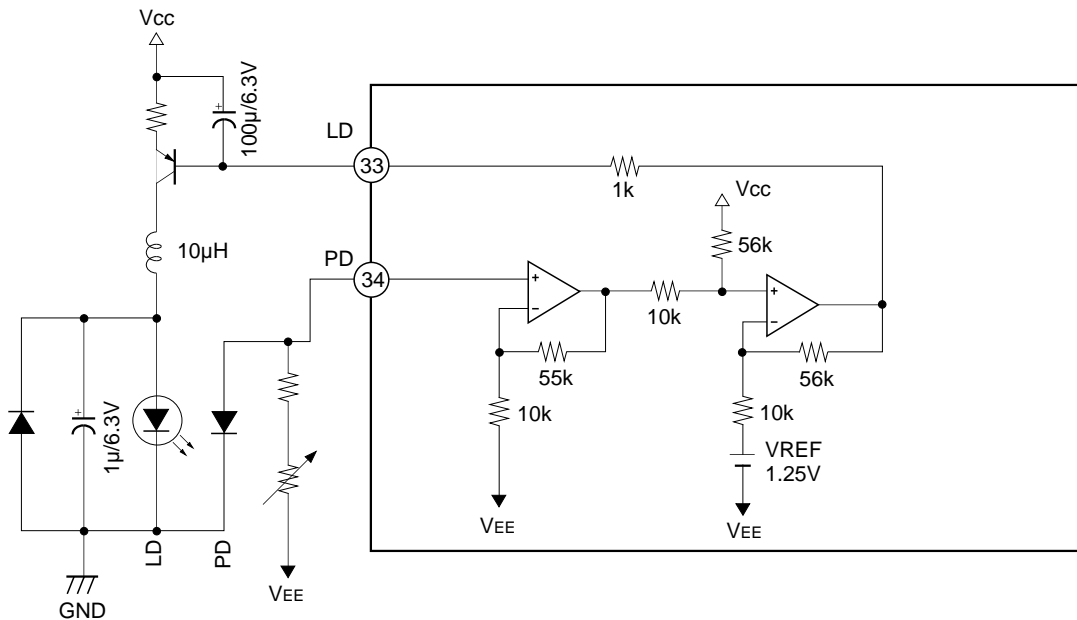
**Center Voltage Generation Circuit**

(Single voltage application; Connect to GND when it's positive/negative dual power supplies.)  
 Maximum current is approximately  $\pm 3\text{mA}$ . Output impedance is approximately  $50\Omega$ .



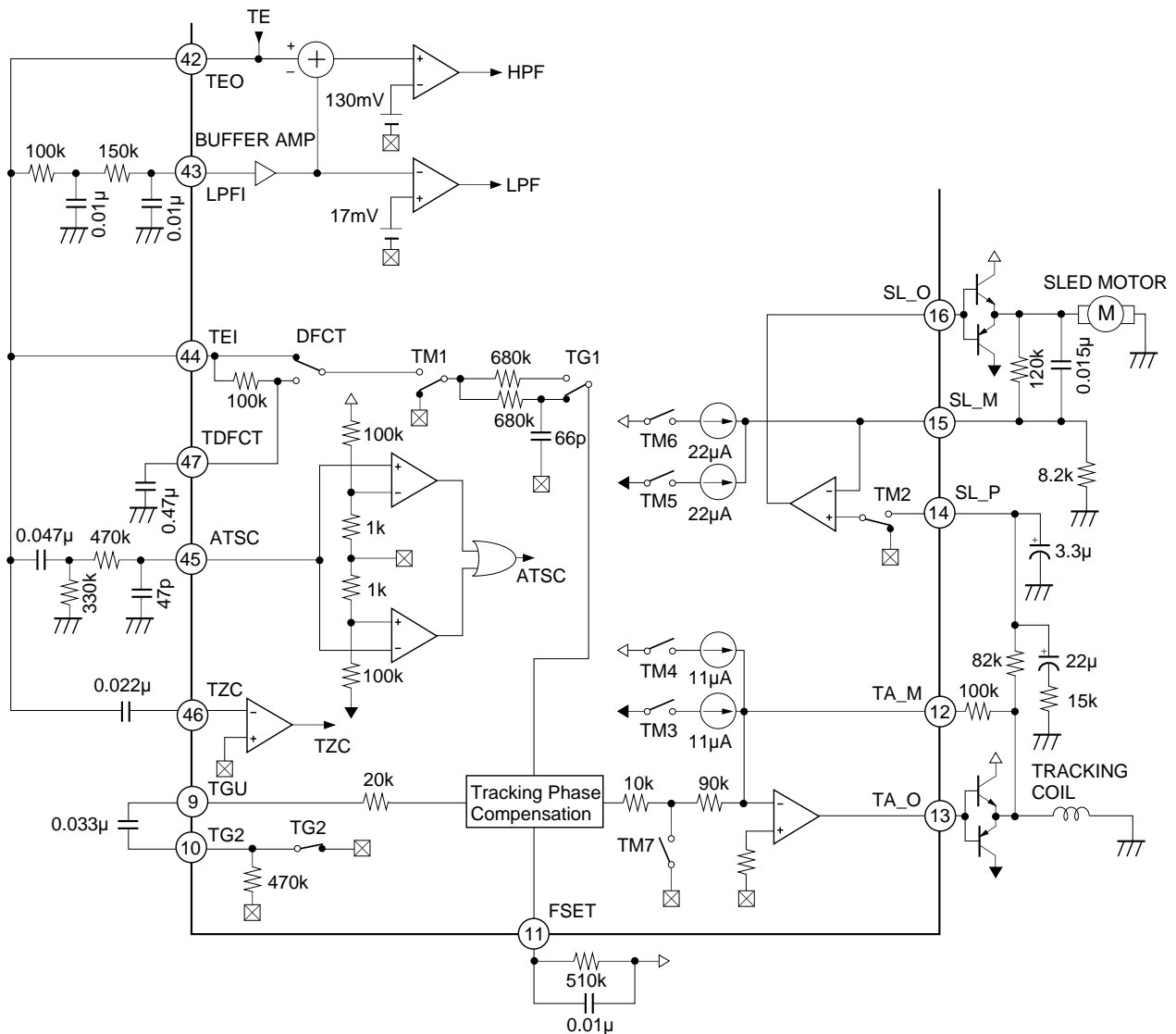
**APC Circuit**

When the laser diode is driven with constant current, the optical output possesses large negative temperature characteristics. Therefore, the current must be controlled with the monitor photo diode to ensure the output remains constant.





Tracking Sled Servo



The above figure shows a block diagram of the tracking and sled servo.

The capacitor connected between Pins 9 and 10 is a time constant to decrease the high-frequency gain when TG2 is OFF. The peak frequency of the tracking phase compensation is approximately 1.2kHz when a 510kΩ resistance connected to Pin 11. In the CXA1782, TG1 and TG2 are inter-linked switches.

To jump tracks in FWD and REV directions, turn TM3 or TM4 ON. During this time, the peak voltage applied to the tracking coil is determined by the TM3 or TM4 current and the feedback resistance from Pin 12. To be more specific,

$$\text{Track jump peak voltage} = \text{TM3 (or TM4) current} \times \text{feedback resistance value}$$

The FWD and REV sled kick is performed by turning TM5 or TM6 ON. During this time, the peak voltage applied to the sled motor is determined by the TM5 or TM6 current and the feedback resistance from Pin 15;

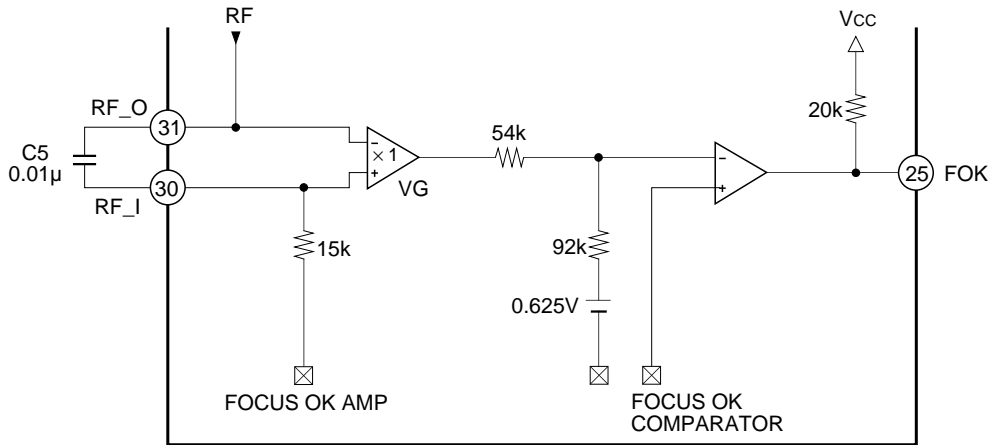
$$\text{Sled kick peak voltage} = \text{TM5 (or TM6) current} \times \text{feedback resistance}$$

The values of the current for each switch are determined by the resistance connected between Pin 17 and VEE. When this resistance is 120kΩ:

$$\text{TM3 (or TM4)} = \pm 11\mu\text{A}, \text{ and TM5 (or TM6)} = \pm 22\mu\text{A}.$$

As is the case with the FE signal, the TE signal is switched to pass through a low-pass filter formed by the internal resistance (100kΩ) and the capacitance connected to Pin 47.

**Focus OK Circuit**



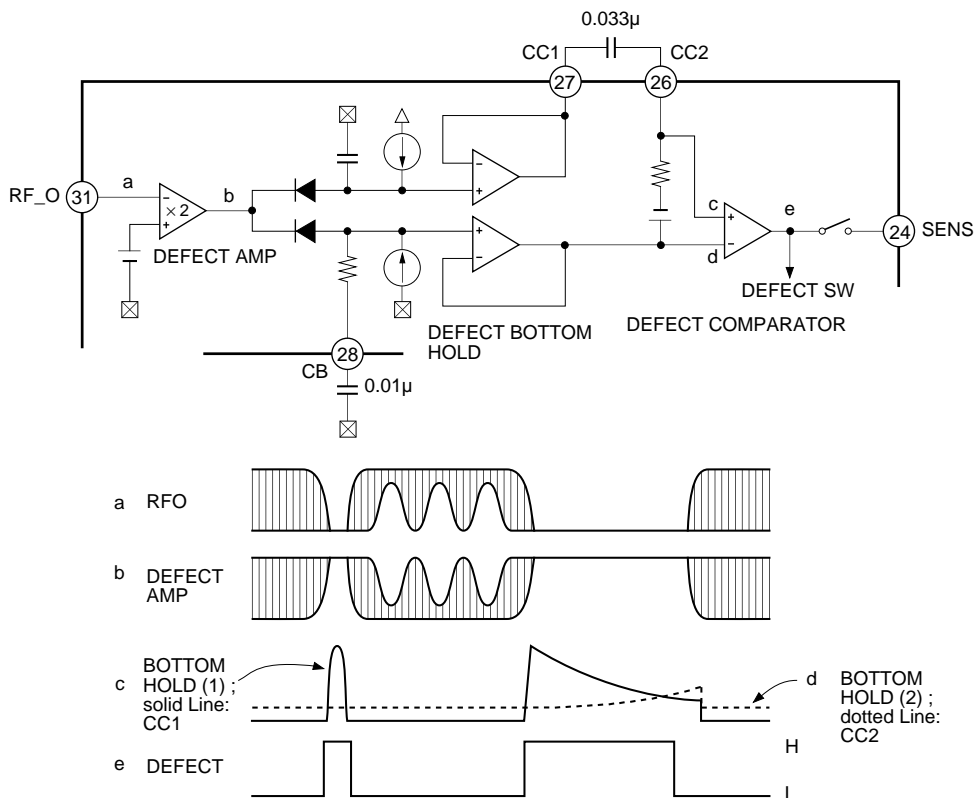
The focus OK circuit creates the timing window okaying the focus servo from the focus search state. The HPF output is obtained at Pin 30 from Pin 31 (RF signal), and the LPF output (opposite phase) of the focus OK amplifier output is also obtained.

The focus OK output reverses when  $V_{RFI} - V_{RFO} \approx -0.37V$ .

Note that, C5 determines the time constant of the HPF for the EFM comparator and mirror circuit and the LPF of the focus OK amplifier. Ordinarily, with a C5 equal to 0.01µF selected, the  $f_c$  is equal to 1kHz, and block error rate degradation brought about by RF envelope defects caused by scratched discs can be prevented.

**DEFECT Circuit**

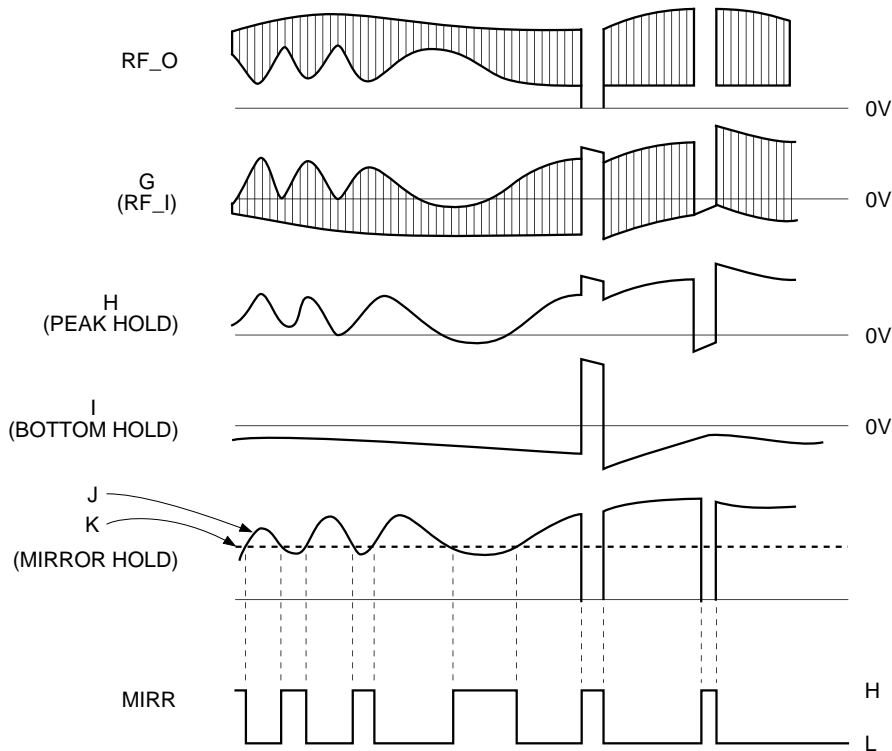
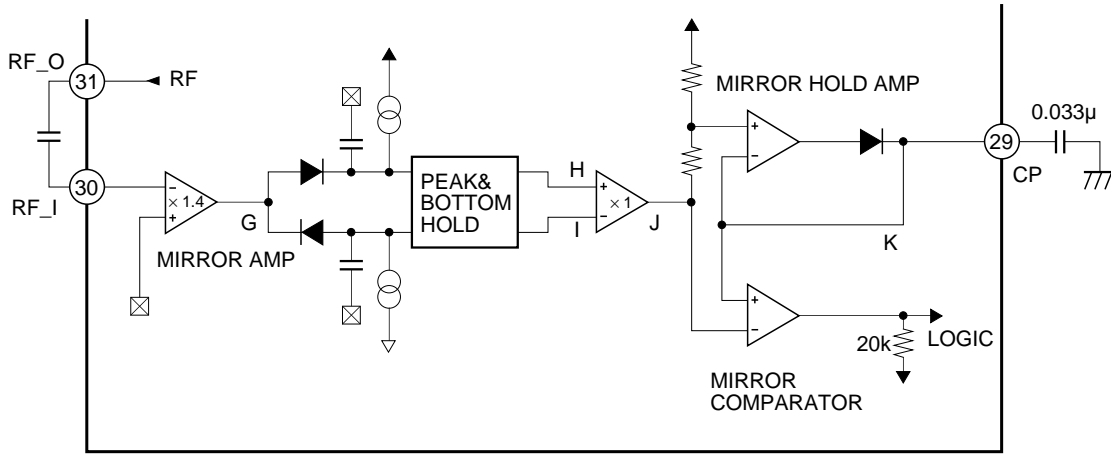
After the RFI signal is reverted, two time constants, long and short, are held at bottom. The short time constant bottom hold responds to 0.1ms or greater disc mirror defects, and the long time constant bottom hold holds the pre-defect mirror level. By differentiating and level-shifting these constants with capacitor coupling and comparing both signals, the mirror defect detection signal is generated.



**Mirror Circuit**

The mirror circuit performs peak and bottom hold after the RFI signal has been amplified.

The peak and bottom holds are both held through the use of a time constant. For the peak hold, a time constant can follow a 30kHz traverse, and, for the bottom hold, one can follow the rotation cycle envelope fluctuation.



The DC playback envelope signal J is obtained by amplifying the difference between the peak and bottom hold signals H and I. Signal J has a large time constant of 2/3 its peak value, and the mirror output is obtained by comparing it to the peak hold signal K. Accordingly, when on the disc track, the mirror output is Low; when between tracks (mirrored portion), it is High; and when a defect is detected, it is High. The mirror hold time constant must be sufficiently large compared with the traverse signal.

In the CXA1782, this mirror output is used only during braking operations, and no external output pin is attached. Accordingly, when connecting DSP such as the CXD2500 with MIRR input pin, input the C. OUT output to the MIRR input of the DSP.

**Commands**

The input data to operate this IC is configured as 8-bit data; however, below, this input data is represented by 2-digit hexadecimal numerals in the form \$XX, where X is a hexadecimal numeral between 0 and F.

Commands for the CXA1782 can be broadly divided into four groups ranging in value from \$0X to \$3X.

**1. \$0X ("FZC" at SENS pin (Pin 24))**

These commands are related to focus servo control.

The bit configuration is as shown below.

D7	D6	D5	D4	D3	D2	D1	D0
0	0	0	0	FS4	DEFECT	FS2	FS1

Four focus-servo related switches exist: FS1, FS2, FS4, and DEFECT corresponding to D0 to D3, respectively.

\$00 When FS1 = 0, Pin 8 is charged to  $(22\mu\text{A} - 11\mu\text{A}) \times 50\text{k}\Omega = 0.55\text{V}$ .

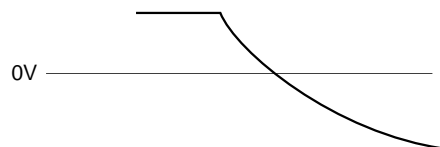
If, in addition, FS2 = 0, this voltage is no longer transferred, and the output at Pin 6 becomes 0V.

\$02 From the state described above, the only FS2 becomes 1. When this occurs, a negative signal is output to Pin 6. This voltage level is obtained by equation 1 below.

$$(22\mu\text{A} - 11\mu\text{A}) \times 50\text{k}\Omega \times \frac{\text{resistance between Pins 6 and 7}}{50\text{k}\Omega} \dots \text{Equation 1}$$

\$03 From the state described above, FS1 becomes 1, and a current source of +22μA is split off.

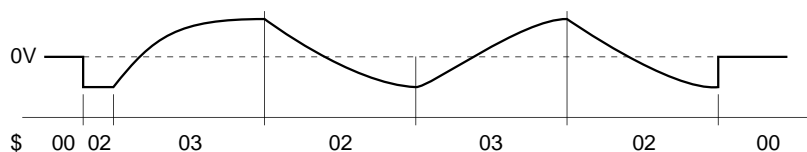
Then, a CR charge/discharge circuit is formed, and the voltage at Pin 8 decreases with the time as shown in Fig. 1 below.



**Fig. 1. Voltage at Pin 8 when FS1 goes from 0 → 1**

This time constant is obtained with the 50kΩ resistance and an external capacitor.

By alternating the commands between \$02 and \$03, the focus search voltage can be constructed. (Fig. 2)



**Fig. 2. Constructing the search voltage by alternating between \$02 and \$03. (Voltage at Pin 6)**

\$04 When the fact that the RF signal is missing is detected and the scratches on the disc are detected with DEFECT = 0, DFCT (FS3) is turned ON.

**1-1. FS4**

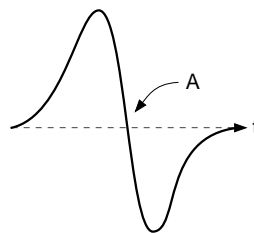
This switch is provided between the focus error input (Pin 2) and the focus phase compensation, and is in charge of turning the focus servo ON and OFF.

\$00 → \$08  
 Focus OFF ← Focus ON

**1-2. Procedure of focus activation**

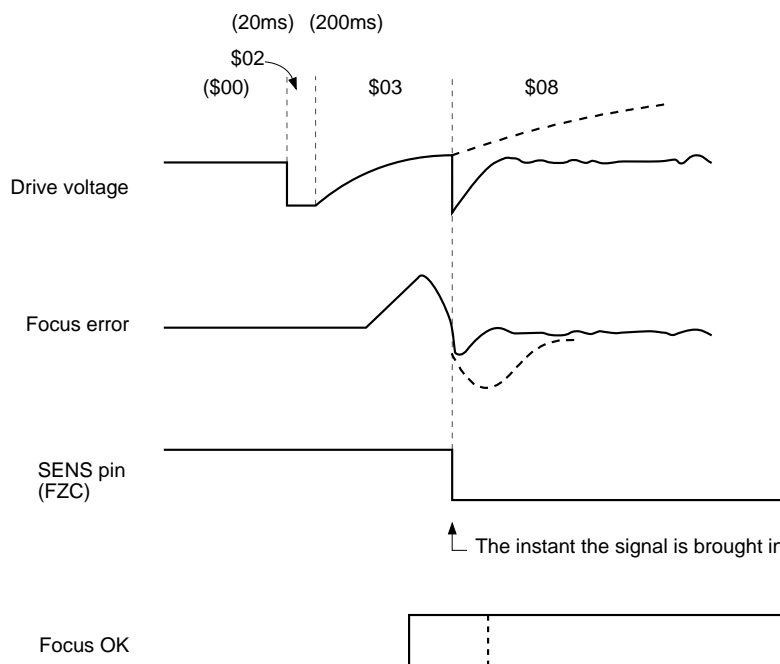
For description, suppose that the polarity is as described below.

- a) The lens is searching the disc from far to near;
- b) The output voltage (Pin 6) is changing from negative to positive; and
- c) The focus S-curve is varying as shown below.



**Fig. 3. S-curve**

The focus servo is activated at the operating point indicated by A in Fig. 3. Ordinarily, focus searching and the turning the focus servo switch ON are performed during the focus S-curve transits the point A indicated in Fig. 3. To prevent misoperation, this signal is ANDed with the focus OK signal. In this IC, FZC (Focus Zero Cross) signal is output from the SENS pin (Pin 24) as the point A transit signal. In addition, focus OK is output as a signal indicating that the signal is in focus (can be in focus in this case). Following the line of the above description, focusing can be well obtained by observing the following timing chart.



\* The broken lines in the figure indicate the voltage assuming the signal is not in focus.

↑ The instant the signal is brought into focus.

**Fig. 4. Focus ON timing chart**

Note that the time from the High to Low transition of FZC to the time command \$08 is asserted must be minimized. To do this, the software sequence shown in B is better than the sequence shown in A.

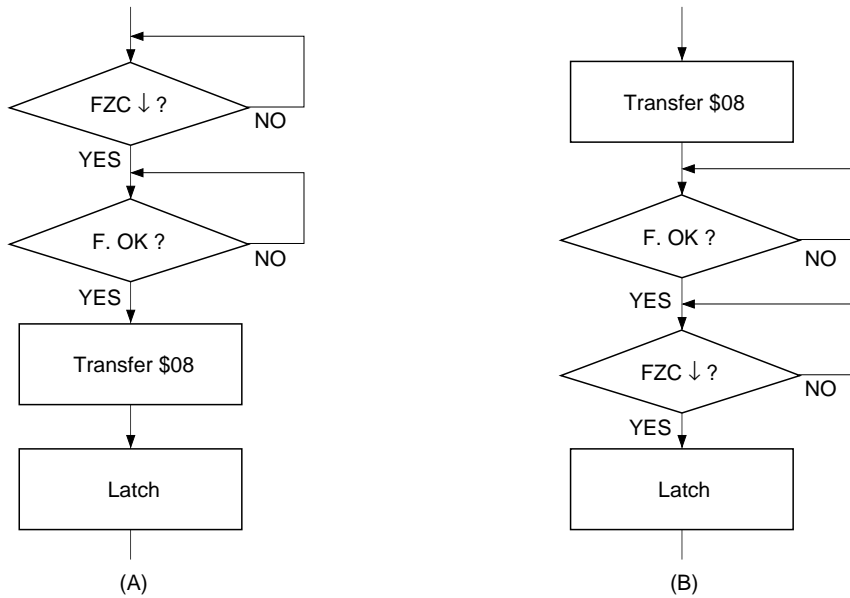


Fig. 5. Poor and good software command sequences

1-3. SENS pin (Pin 24)

The output of the SENS pin differs depending on the input data as shown below.

- \$0X: FZC
- \$1X: DEFECT
- \$2X: TZC
- \$3X: Automatic adjustment comparator output
- \$4X to 7X: HIGH-Z

2. \$1X (“DEFECT” at SENS pin (Pin 24))

These commands deal with switching TG1/TG2, brake circuit ON/OFF, and the sled kick output.

The bit configuration is as follows

D7	D6	D5	D4	D3	D2	D1	D0
0	0	0	1	TG1, TG2	Break circuit	Sled kick height	
				ON/OFF	ON/OFF		

Sled kick height		Relative value
D1 (PS1)	D0 (PS0)	
0	0	±1
0	1	±2
1	0	±3
1	1	±4

TG1, TG2

The purpose of these switches is to switch the tracking servo gain Up/Normal. TG1 and TG2 are interlinked switches. The brake circuit (TM7) is to prevent the occurrence of such frequently occurring phenomena as extremely degraded actuator settling due to the servo motor exceeding the linear range causing what should be a 100-track jump to fall back down to a 10-track jump after a 100 or 10-track jump has been performed. To do this, when the actuator travels radially; that is, when it traverses from the inner track to the outer track of the disc and vice versa, the brake circuit utilizes the fact that the phase relationship between the RF envelope and the tracking error is 180° out-of-phase to cut the unneeded portion of the tracking error and apply braking.



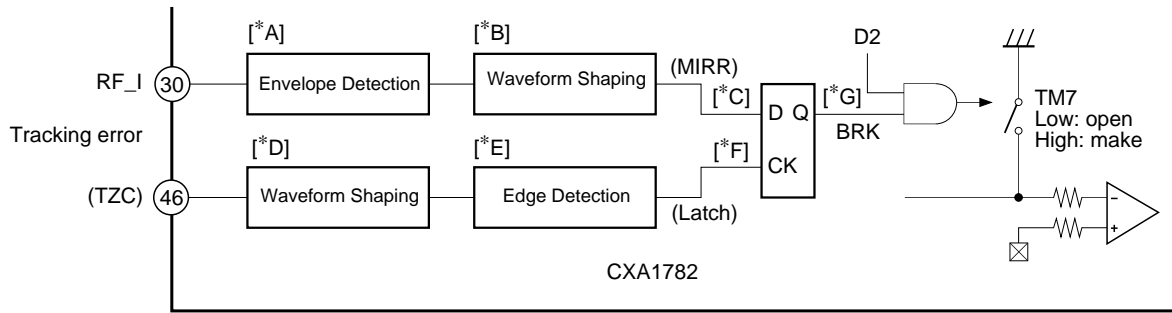


Fig. 6. TMI movement during braking operation

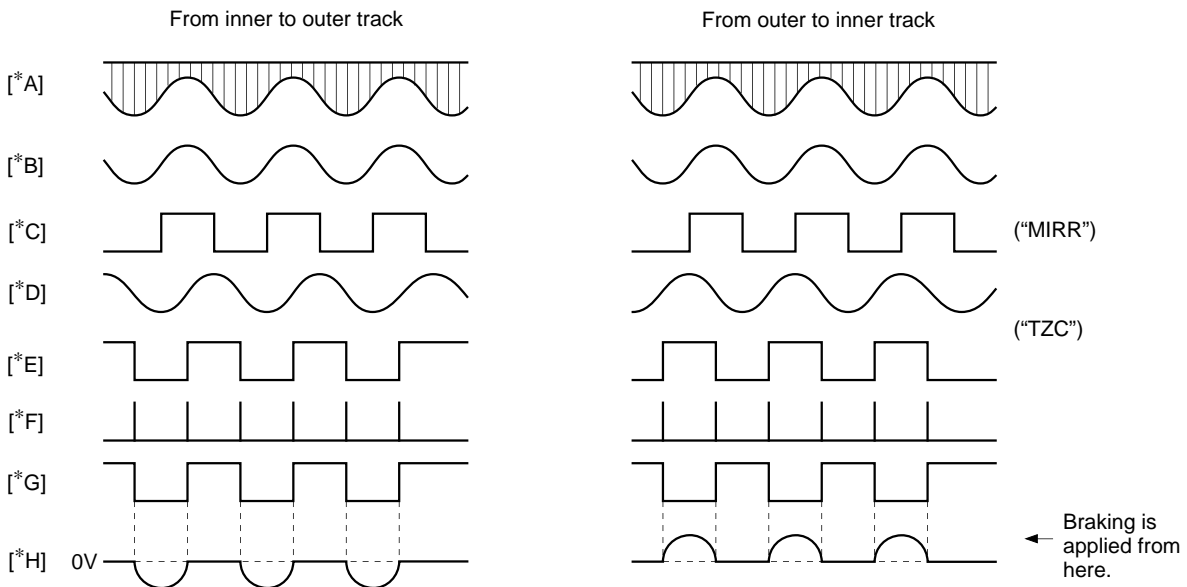


Fig. 7. Internal waveform

3. \$2X ("TZC" at SENS pin (Pin 24))

These commands deal with turning the tracking servo and sled servo ON/OFF, and creating the jump pulse and fast forward pulse during access operations.

D7	D6	D5	D4	D3	D2	D1	D0
0	0	1	0	Tracking control		Sled control	
				00: OFF		00: OFF	
				01: Servo ON		01: Servo ON	
				10: F-JUMP		10: F-FAST FORWARD	
				11: R-JUMP		11: R-FAST FORWARD	
				↓		↓	
				TM1, TM3, TM4		TM2, TM5, TM6	

4. \$3X

These commands control the balance and gain control circuit switches used during automatic tracking adjustment.

In the initial resetting state, BAL1 to BAL3 switches are OFF and TOG1 to TOG3 switches are ON.

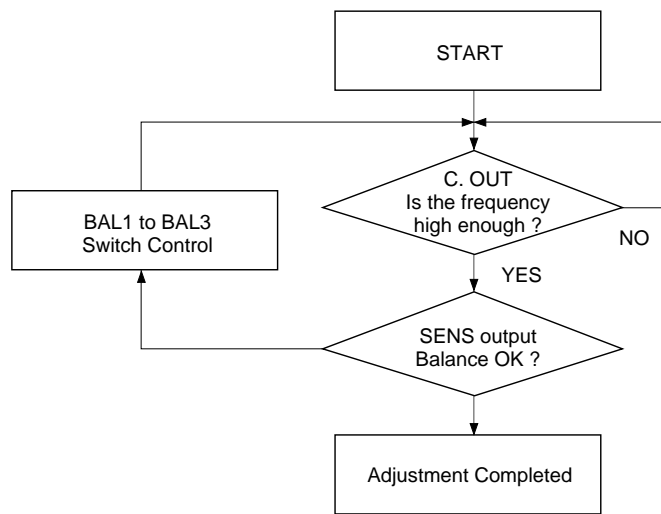
• Balance adjustment

The balance adjustment switches BAL1 to BAL3 can be controlled by setting D3 = 0. The switches are set using D0 to D2.

At this time, the balance adjustment LPF comparator output is selected at the SENS pin.

Data is set by specifying switch conditions D0 to D2 and sending a latch pulse with D3 = 0.

Sending a latch pulse with D3 = 1 does not change the balance switch settings.

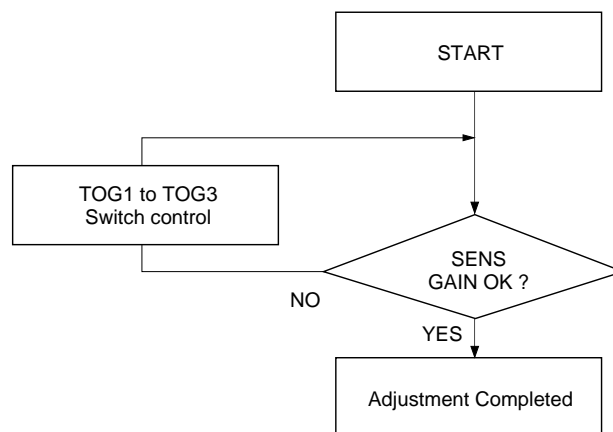


Balance adjustment

• Gain adjustment

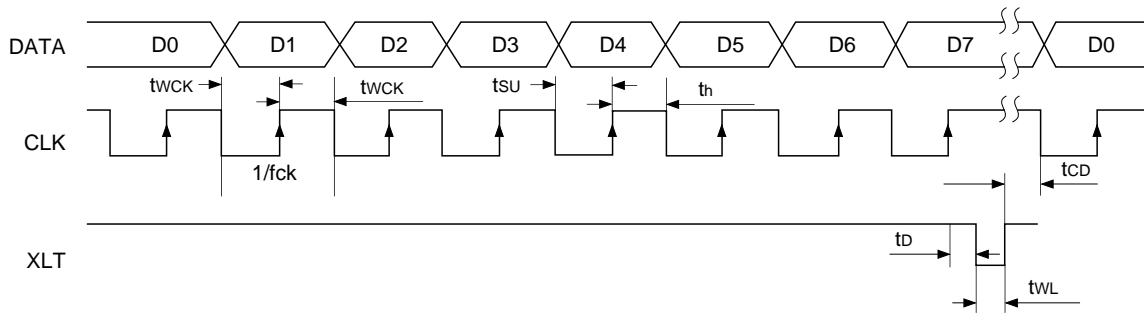
The gain adjustment switches TOG1 to TOG3 can be controlled by setting D3 = 1. These switches are set using D0 to D2. At this time, the balance adjustment HPF comparator output is selected for SENS pin.

In a fashion similar to the method used with the balance adjustment, set the data by sending a latch pulse with D3 = 1, specifying the switch conditions D0 to D2.



Gain adjustment

CPU Serial Interface Timing Chart



(V<sub>CC</sub> = 3.0V)

Item	Symbol	Min.	Type.	Max.	Unit
Clock frequency	f <sub>ck</sub>			1	MHz
Clock pulse width	f <sub>wck</sub>	500			ns
Setup time	t <sub>su</sub>	500			ns
Hold time	t <sub>h</sub>	500			ns
Delay time	t <sub>d</sub>	500			ns
Latch pulse width	t <sub>wL</sub>	1000			ns
Data transfer interval	t <sub>cd</sub>	1000			ns

System Control

Item	ADDRESS				DATA				SENS output
	D7	D6	D5	D4	D3	D2	D1	D0	
Focus Control	0	0	0	0	FS4 Focus ON = 1, OFF = 0	DEFECT (FS3) Disable = 1 Enable = 0	FS2 Search ON = 1, OFF = 0	FS1 Search Up = 1, Down = 0	FZC
Tracking Control	0	0	0	1	TG1, TG2 ON = 1, OFF = 0	Brake ON = 1, OFF = 0	Sled Kick + 2	Sled Kick + 1	DEFECT
Tracking Mode	0	0	1	0	Tracking Mode *1		Sled Mode *2		TZC
Select	0	0	1	1	Automatic tracking adjustment mode				Gain/Bal

\*1 TRACKING MODE

	D3	D2
OFF	0	0
ON	0	1
FWD JUMP	1	0
REV JUMP	1	1

\*2 SLED MODE

	D1	D0
OFF	0	0
ON	0	1
FWD MOVE	1	0
REV MOVE	1	1

**Serial Data Truth Table**

Serial Data	Hex	Functions			
FOCUS CONTROL		FS = 4321			
		FS4	DEFECT	FS2	FS1
0 0 0 0 0 0 0 0	\$00	0	E	0	0
0 0 0 0 0 0 0 1	\$01	0	E	0	1
0 0 0 0 0 0 1 0	\$02	0	E	1	0
0 0 0 0 0 0 1 1	\$03	0	E	1	1
0 0 0 0 0 1 0 0	\$04	0	D	0	0
0 0 0 0 0 1 0 1	\$05	0	D	0	1
0 0 0 0 0 1 1 0	\$06	0	D	1	0
0 0 0 0 0 1 1 1	\$07	0	D	1	1
0 0 0 0 1 0 0 0	\$08	1	E	0	0
0 0 0 0 1 0 0 1	\$09	1	E	0	1
0 0 0 0 1 0 1 0	\$0A	1	E	1	0
0 0 0 0 1 0 1 1	\$0B	1	E	1	1
0 0 0 0 1 1 0 0	\$0C	1	D	0	0
0 0 0 0 1 1 0 1	\$0D	1	D	0	1
0 0 0 0 1 1 1 0	\$0E	1	D	1	0
0 0 0 0 1 1 1 1	\$0F	1	D	1	1

DEFECT  
E: enable  
D: disable

TRACKING MODE	Hex	TM = 6 5 4 3 2 1
0 0 1 0 0 0 0 0	\$20	0 0 0 0 0 0
0 0 1 0 0 0 0 1	\$21	0 0 0 0 1 0
0 0 1 0 0 0 1 0	\$22	0 1 0 0 0 0
0 0 1 0 0 0 1 1	\$23	1 0 0 0 0 0
0 0 1 0 0 1 0 0	\$24	0 0 0 0 0 1
0 0 1 0 0 1 0 1	\$25	0 0 0 0 1 1
0 0 1 0 0 1 1 0	\$26	0 1 0 0 0 1
0 0 1 0 0 1 1 1	\$27	1 0 0 0 0 1
0 0 1 0 1 0 0 0	\$28	0 0 0 1 0 0
0 0 1 0 1 0 0 1	\$29	0 0 0 1 1 0
0 0 1 0 1 0 1 0	\$2A	0 1 0 1 0 0
0 0 1 0 1 0 1 1	\$2B	1 0 0 1 0 0
0 0 1 0 1 1 0 0	\$2C	0 0 1 0 0 0
0 0 1 0 1 1 0 1	\$2D	0 0 1 0 1 0
0 0 1 0 1 1 1 0	\$2E	0 1 1 0 0 0
0 0 1 0 1 1 1 1	\$2F	1 0 1 0 0 0

Automatic adjustment mode		TOG SW	BAL SW
	Hex	3 2 1	3 2 1
0 0 1 1 0 0 0 0	\$30	— — —	1 1 1
0 0 1 1 0 0 0 1	\$31	— — —	1 1 0
0 0 1 1 0 0 1 0	\$32	— — —	1 0 1
0 0 1 1 0 0 1 1	\$33	— — —	1 0 0
0 0 1 1 0 1 0 0	\$34	— — —	0 1 1
0 0 1 1 0 1 0 1	\$35	— — —	0 1 0
0 0 1 1 0 1 1 0	\$36	— — —	0 0 1
0 0 1 1 0 1 1 1	\$37	— — —	0 0 0
0 0 1 1 1 0 0 0	\$38	1 1 1	— — —
0 0 1 1 1 0 0 1	\$39	1 1 0	— — —
0 0 1 1 1 0 1 0	\$3A	1 0 1	— — —
0 0 1 1 1 0 1 1	\$3B	1 0 0	— — —
0 0 1 1 1 1 0 0	\$3C	0 1 1	— — —
0 0 1 1 1 1 0 1	\$3D	0 1 0	— — —
0 0 1 1 1 1 1 0	\$3E	0 0 1	— — —
0 0 1 1 1 1 1 1	\$3F	0 0 0	— — —

DATA D3 = 0: Balance switch setting  
 DATA D3 = 1: Gain switch setting

**Note)** 0 means OFF and 1 means ON for TOG SW and BAL SW. These are not equal to the setting values of each bit for serial data.

**Initial State** (resetting state)

Item	ADDRESS	DATA	HEXADECIMAL
	D7 D6 D5 D4	D3 D2 D1 D0	
Focus Control	0 0 0 0	0 0 0 0	\$00
Tracking Control	0 0 0 1	0 0 0 0	\$10
Tracking Mode	0 0 1 0	0 0 0 0	\$20
Select	0 0 1 1	0 1 1 1	\$37
		1 0 0 0	\$38

The above data means the following operation modes.

- Focus Control      Focus off, Defect enable, Focus Search off, Focus Search down
- Tracking Control    TG1 – TG2 off, Brake off, Sled Kick + 2 off, Sled Kick + 1 off
- Tracking Mode      Tracking off, Sled off
- Select              Tracking gain → min. (TOG SW: 1 1 1)  
                          Tracking balance: RE3 → max. (TBAL SW: 0 0 0)

**Notes on Operation**

1. FSET pin

The FSET pin determines the  $f_c$  for the focus and tracking high-frequency phase compensation.

2. ISET pin

ISET current =  $1.27V/R$   
 = Focus search current  
 = Tracking jump current  
 = Sled kick current (\$1X: PS1 = PS0 = 0)  $\times \frac{1}{2}$

Use the setting resistance within the range of 120kΩ to 240kΩ. If the resistance value is out of this range, the oscillation may be occurred in the ISET block.

3. FE (focus error)/TE (tracking error) gain changing method

- 1) High gain: Resistance between FE pins (pins 6 and 7) 100kΩ → Large  
 Resistance between TE pins (pins 12 and 13) 100kΩ → Large
- 2) Low gain: A signal, whose resistance is divided between Pins 1 and 2, is input to FE. The internal gain adjustment circuit is used for TE.

4. Input voltage at Pins 19 to 22 of the microcomputer interface should be as follows:

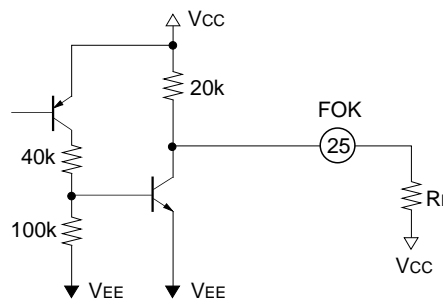
- $V_{IH} V_{CC} \times 90\%$  or more
- $V_{IL} V_{CC} \times 10\%$  or less

5. Focus OK circuit

- 1) Refer to the “Description of Operation” for the time constant setting of the focus OK amplifier LPF and the mirror amplifier HPF.

The FOK and comparator output are as follows:

- Output voltage High:  $V_{FOKH} \approx \text{near } V_{CC}$
- Output voltage Low:  $V_{FOKL} \approx V_{sat} \text{ (NPN)}$



6. Sled amplifier

The sled amplifier may oscillate when used by the buffer amplifier. Use with a gain of approximately 20dB.

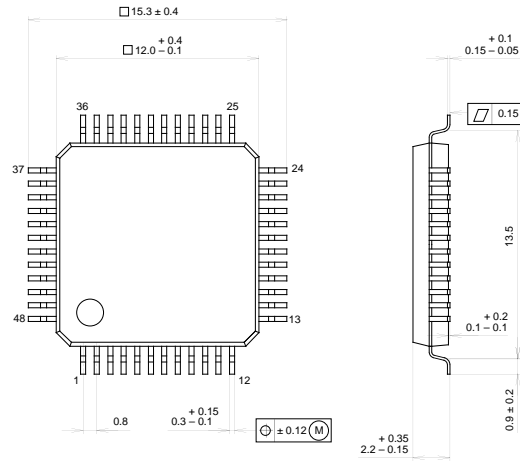
**Sled/Tracking internal phase compensation and reference design material**

	Item	SD	Measurement pin	Conditions	Typ.	Unit
FCS	1.2kHz gain	08	6	$C_{FLB} = 0.1\mu F$ $C_{FGD} = 0.1\mu F$	21.5	dB
	1.2kHz phase	08			63	deg
TRK	1.2kHz gain	25	13	$C_{TGU} = 0.1\mu F$	13	dB
	1.2kHz phase	25			-125	deg
	2.7kHz gain	25→13			26.5	dB
	2.7kHz phase	25→13			-130	deg

Package Outline Unit: mm

CXA1782CQ

48PIN QFP (PLASTIC)



SONY CODE	QFP-48P-L04
EIAJ CODE	+QFP048-P-1212-B
JEDEC CODE	

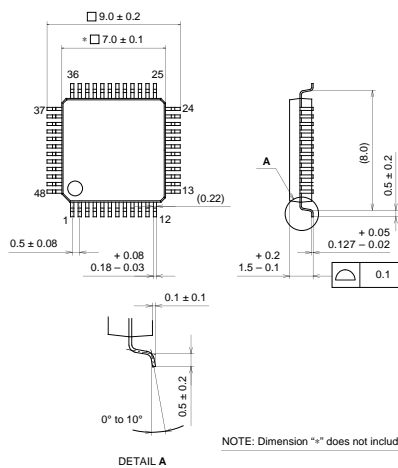
PACKAGE STRUCTURE

PACKAGE MATERIAL	EPOXY RESIN
LEAD TREATMENT	SOLDER / PALLADIUM PLATING
LEAD MATERIAL	COPPER / 42 ALLOY
PACKAGE WEIGHT	0.7g

NOTE : PALLADIUM PLATING  
This product uses S-PdPPF (Sony Spec.-Palladium Pre-Plated Lead Frame).

CXA1782CR

48PIN LQFP (PLASTIC)



SONY CODE	LQFP-48P-L01
EIAJ CODE	+QFP048-P-0707-A
JEDEC CODE	

PACKAGE STRUCTURE

PACKAGE MATERIAL	EPOXY / PHENOL RESIN
LEAD TREATMENT	SOLDER PLATING
LEAD MATERIAL	42 ALLOY
PACKAGE WEIGHT	0.2g

NOTE : PALLADIUM PLATING  
This product uses S-PdPPF (Sony Spec.-Palladium Pre-Plated Lead Frame).