



1 Meg x 32 Flash Module

FEATURES

- 1 Meg x 32 and 2 x 1 Meg x 32 Densities
- Based on Intel's 28F008S3 Flash Device
- Fast Read Access Time - 120ns
- Flexible Smart Voltage
 - 3.0 - 3.6V Program/Erase
 - 3.0 - 3.6V Read
- Low Power Dissipation
 - 30mA per Device Active Current
 - 10µA per Device CMOS Standby Current
- Typical Endurance >100,000 Cycles
- 3.3 Volt ±10% Supply
- CMOS and TTL Compatible Inputs and Outputs
- Commercial and Industrial Temperature Range
- Package
 - 80 Pin SIMM (JEDEC)
- Also Available with Gold Contacts, P/N 7Gxxx.

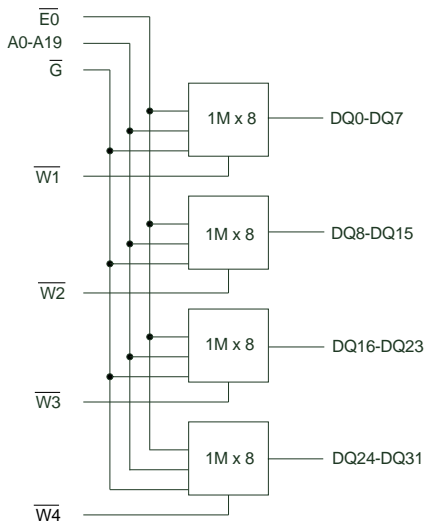
DESCRIPTION

The EDI7F341MV and EDI7F2341MV are organized as one and two banks of 1 Meg x 32 respectively. The modules are based on Intel's 28F008S3 - 1Meg x 8 Flash device in TSOP packages which are mounted on an FR4 substrate.

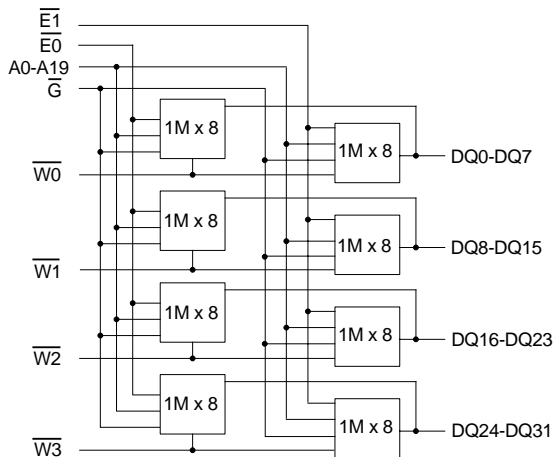
Both modules offer access times between 120 and 150ns allowing for operation of high-speed microprocessors without wait states.

BLOCK DIAGRAMS

EDI7F341MV-BNC
1 MEG x 32 80 pin SIMM



EDI7F2341MV-BNC
2 x 1 MEG x 32 80 pin SIMM





CAPACITANCE

(f =1.0MHz, VIN = VCC or VSS)

Parameter	Sym	1 Meg	2 x 1Meg	Unit
		Max	Max	
Address Lines	CA	35	70	pF
Data Lines	CDQ	15	30	pF
Chip & Write Enable Lines	CC	15	30	pF
Output Enable Lines	CG	35	70	pF

PIN CONFIGURATIONS

Pin #	Pin Name	Pin #	Pin Name	Pin #	Pin Name	Pin #	Pin Name
1	VSS	21	*	41	A11	61	DQ9
2	VCC	22	*	42	A10	62	DQ8
3	VPP	23	*	43	A9	63	DQ7
4	G\	24	*	44	A8	64	DQ6
5	W0\	25	VSS	45	A7	65	DQ5
6	W1\	26	DQ29	46	A6	66	DQ4
7	NC	27	DQ30	47	A5	67	DQ3
8	DQ16	28	DQ31	48	A4	68	DQ2
9	DQ17	29	W2\	49	A3	69	DQ1
10	DQ18	30	NC	50	A2	70	DQ0
11	DQ19	31	NC	51	A1	71	VPP
12	DQ20	32	NC	52	A0	72	VCC
13	DQ21	33	A19	53	W3\	73	PD1
14	DQ22	34	A18	54	VSS	74	PD2
15	DQ23	35	A17	55	DQ15	75	PD3
16	DQ24	36	A16	56	DQ14	76	PD4
17	DQ25	37	A15	57	DQ13	77	PD5
18	DQ26	38	A14	58	DQ12	78	PD6
19	DQ27	39	A13	59	DQ11	79	PD7
20	DQ28	40	A12	60	DQ10	80	VSS

Simm Density		
Pin	1Meg	2 x 1Meg
21	NC	NC
22	NC	NC
23	NC	E1\
24	E0\	E0\

Presence Detect Pin Out		
Pin	1Meg	2 x 1Meg
PD1	NC	VSS
PD2	VSS	VSS
PD3	NC	NC
PD4	VSS	VSS

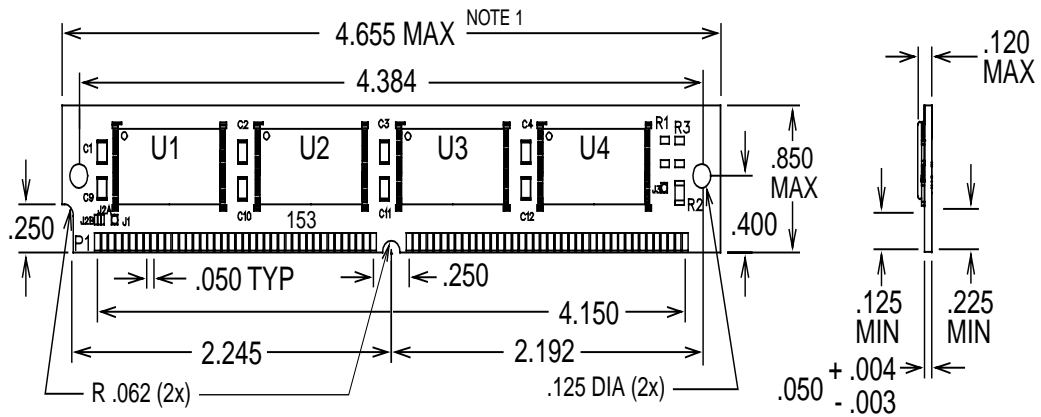
- A0-A19 Address input
- E0\,E1\ Chip Enable
- W0\-W3\ Write Enable
- G\ Output Enable
- DQ0-DQ31 Data Input/Output
- PD Presence Detect
- VCC Power 3.3V ±10%
- VSS Ground
- NC No Connect
- VPP Program Power 3.3V ±10%



ORDERING INFORMATION

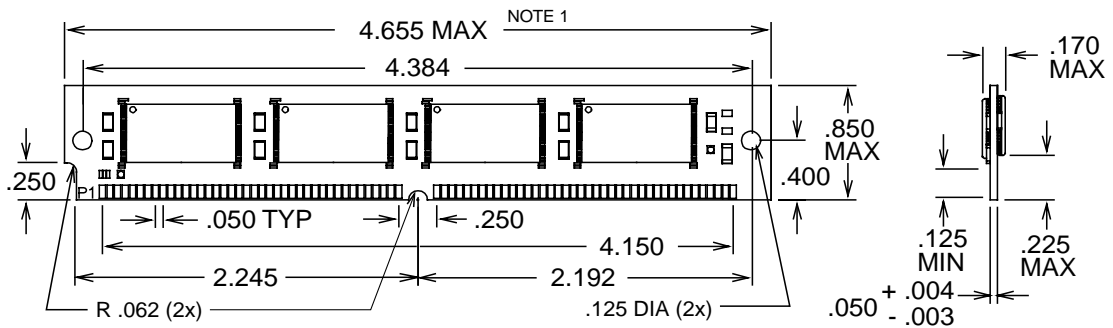
Part Number	Speed (ns)	Package
EDI7F341MV120BNC	120	500
EDI7F341MV150BNC	150	500

PACKAGE NO. 500



Part Number	Speed (ns)	Package
EDI7F2341MV120BNC	120	501
EDI7F2341MV150BNC	150	501

PACKAGE NO. 501



NOTE 1. The length dimension of 4.655 Max is measured without including the breakaway area.