

## 256 MBit Synchronous DRAM

- High Performance:

	-7.5	-8	Units
fCK	133	125	MHz
tCK3	7.5	8	ns
tAC3	5.4	6	ns
tCK2	10	10	ns
tAC2	6	6	ns

- Fully Synchronous to Positive Clock Edge
- 0 to 70 °C operating temperature
- Four Banks controlled by BA0 & BA1
- Programmable  $\overline{\text{CAS}}$  Latency: 2 & 3
- Programmable Wrap Sequence: Sequential or Interleave
- Programmable Burst Length: 1, 2, 4, 8
- Full page burst length for sequential wrap around

- Multiple Burst Read with Single Write Operation
- Automatic and Controlled Precharge Command
- Data Mask for Read / Write control (x4, x8)
- Data Mask for byte control (x16)
- Auto Refresh (CBR) and Self Refresh
- Power Down and Clock Suspend Mode
- 8192 refresh cycles / 64 ms (7,8  $\mu$ s)
- Random Column Address every CLK (1-N Rule)
- Single 3.3V +/- 0.3V Power Supply
- LVTTTL Interface versions
- Plastic Packages: P-TSOPII-54 400mil width (x4, x8, x16)
- -7.5 parts for PC133 3-3-3 operation
- -8 parts for PC100 2-2-2 operation

The HYB39S256400/800/160CT(L) are four bank Synchronous DRAM's organized as 4 banks x 16MBit x4, 4 banks x 8MBit x8 and 4 banks x 4Mbit x16 respectively. These synchronous devices achieve high speed data transfer rates for  $\overline{\text{CAS}}$ -latencies by employing a chip architecture that prefetches multiple bits and then synchronizes the output data to a system clock. The chip is fabricated with INFINEON's advanced 0.17  $\mu$ m 256MBit DRAM process technology.

The device is designed to comply with all industry standards set for synchronous DRAM products, both electrically and mechanically. All of the control, address, data input and output circuits are synchronized with the positive edge of an externally supplied clock.

Operating the four memory banks in an interleave fashion allows random access operation to occur at a higher rate than is possible with standard DRAMs. A sequential and gapless data rate is possible depending on burst length,  $\overline{\text{CAS}}$  latency and speed grade of the device.

Auto Refresh (CBR) and Self Refresh operation are supported. These devices operate with a single 3.3V +/- 0.3V power supply and are available in TSOPII packages.

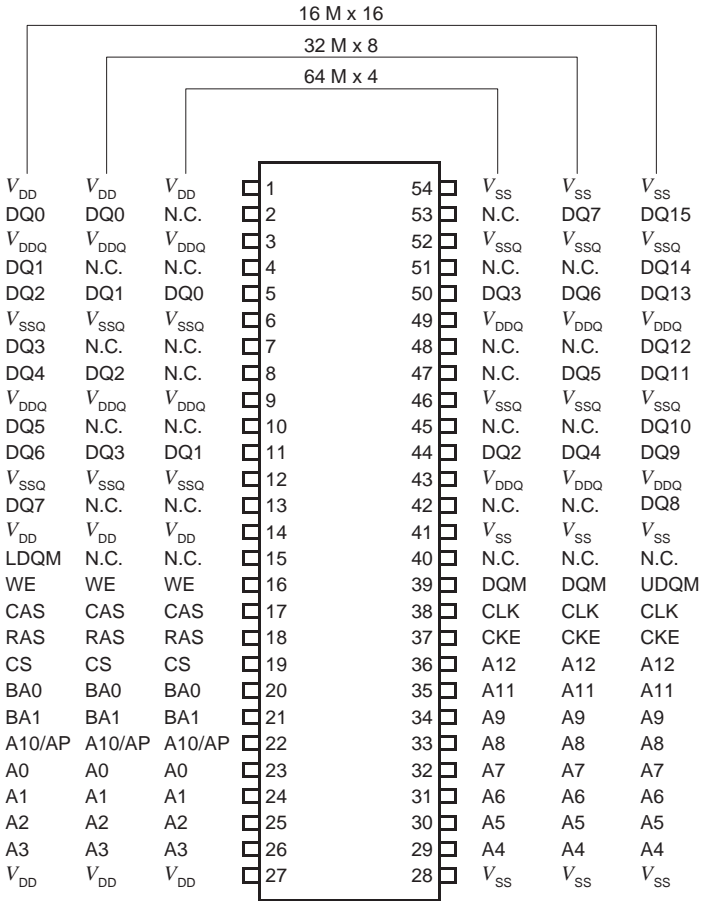
**Ordering Information**

Type	Speed Grade	Package	Description
HYB 39S256400CT-7.5	PC133-333-520	P-TSOP-54-2 (400mil)	133MHz 4B x 16M x 4 SDRAM
HYB 39S256400CT-8	PC100-222-620	P-TSOP-54-2 (400mil)	125MHz 4B x 16M x 4 SDRAM
HYB 39S256800CT-7.5	PC133-333-520	P-TSOP-54-2 (400mil)	133MHz 4B x 8M x 8 SDRAM
HYB 39S256800CT-8	PC100-222-620	P-TSOP-54-2 (400mil)	125MHz 4B x 8M x 8 SDRAM
HYB 39S256160CT-7.5	PC133-333-520	P-TSOP-54-2 (400mil)	133MHz 4B x 4M x 16 SDRAM
HYB 39S256160CT-8	PC100-222-620	P-TSOP-54-2 (400mil)	125MHz 4B x 4M x 16 SDRAM
HYB39S256xx0CTL	PC100-xxx-620	P-TSOP-54-2 (400mil)	Low Power Versions (on request)

**:Pin Description**

<b>CLK</b>	Clock Input	<b>DQx</b>	Data Input /Output
<b>CKE</b>	Clock Enable	<b>DQM, LDQM, UDQM</b>	Data Mask
<b>CS</b>	Chip Select	<b>V<sub>DD</sub></b>	Power (+3.3V)
<b>RAS</b>	Row Address Strobe	<b>V<sub>SS</sub></b>	Ground
<b>CAS</b>	Column Address Strobe	<b>V<sub>DDQ</sub></b>	Power for DQ's (+ 3.3V)
<b>WE</b>	Write Enable	<b>V<sub>SSQ</sub></b>	Ground for DQ's
<b>A0-A12</b>	Address Inputs	<b>NC</b>	not connected
<b>BA0, BA1</b>	Bank Select		

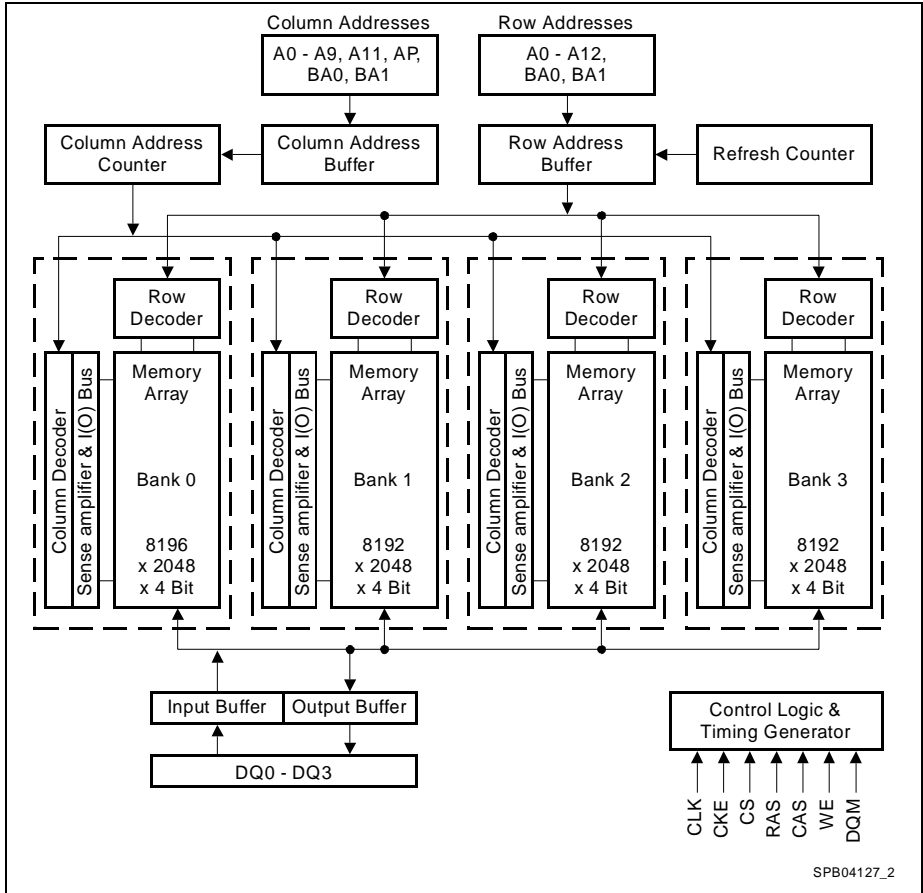
**Pinouts**



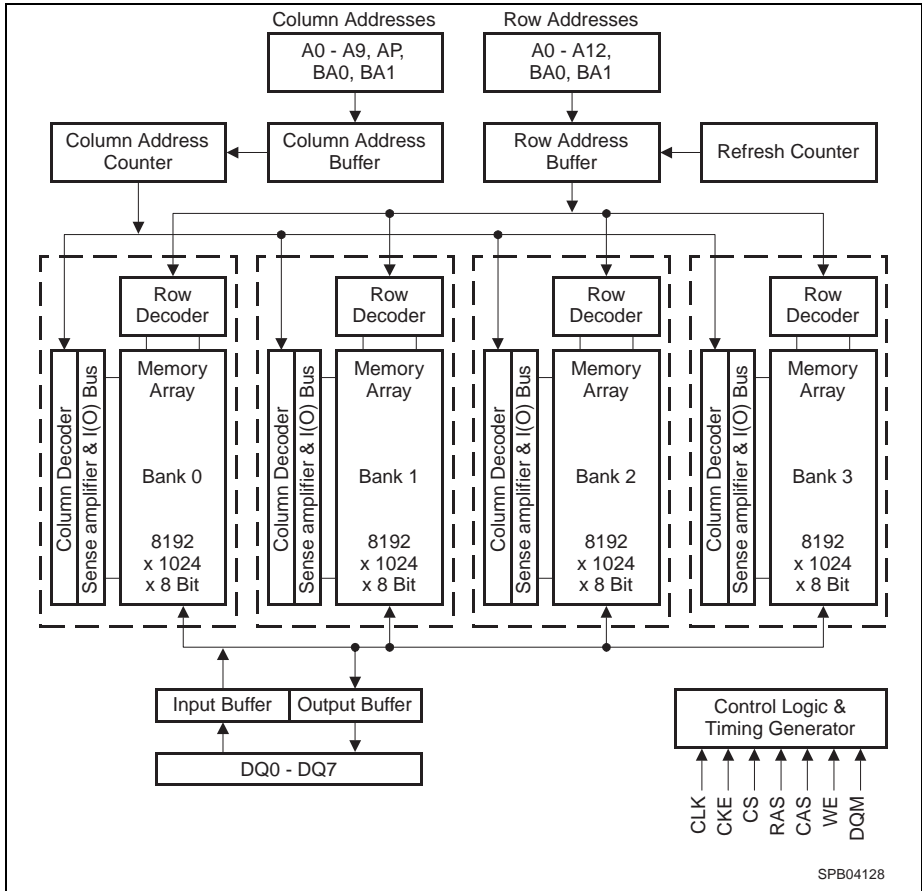
**TSOP11-54 (400 mil x 875 mil, 0.8 mm pitch)**

SPP04126

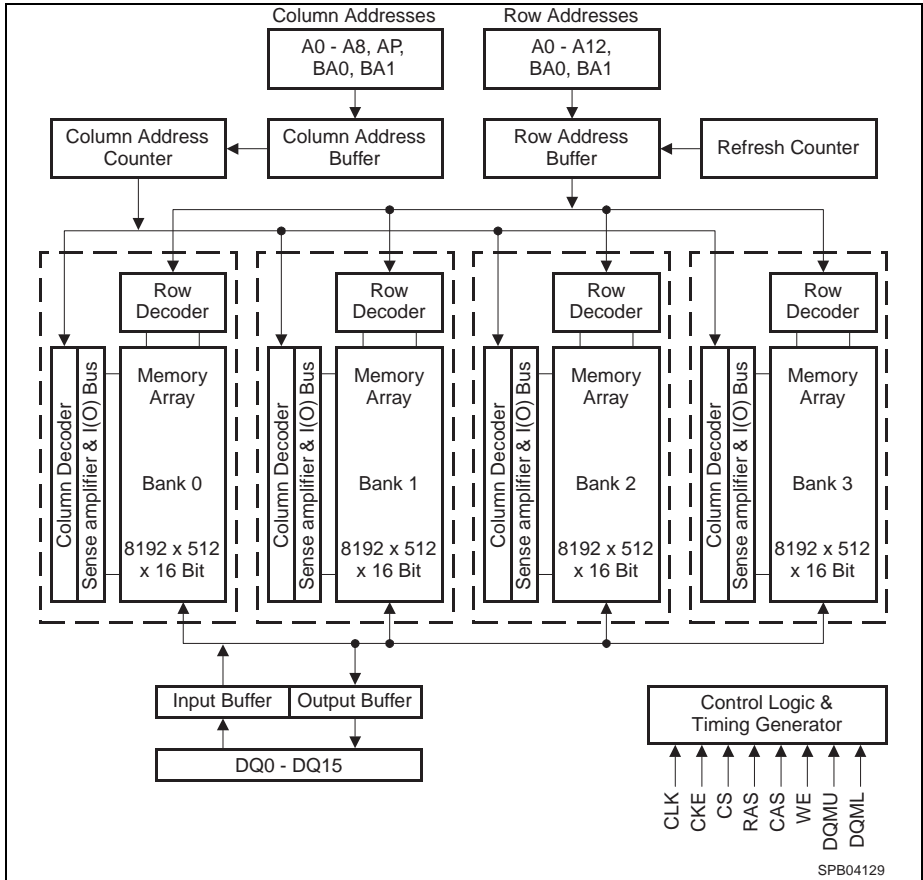
**Pinout for x4, x8 & x16 organised 256M-DRAMs**



**Block Diagram for 64M x 4 SDRAM ( 13 / 11 / 2 addressing)**



**Block Diagram for 32M x 8 SDRAM ( 13 / 10 / 2 addressing)**



**Block Diagram for 16M x16 SDRAM (13/9/2 addressing)**

**Signal Pin Description**

Pin	Type	Signal	Polarity	Function
CLK	Input	Pulse	Positive Edge	The system clock input. All of the SDRAM inputs are sampled on the rising edge of the clock.
CKE	Input	Level	Active High	Activates the CLK signal when high and deactivates the CLK signal when low, thereby initiating either the Power Down mode, Suspend mode, or the Self Refresh mode.
$\overline{CS}$	Input	Pulse	Active Low	$\overline{CS}$ enables the command decoder when low and disables the command decoder when high. When the command decoder is disabled, new commands are ignored but previous operations continue.
$\overline{RAS}$ $\overline{CAS}$ $\overline{WE}$	Input	Pulse	Active Low	When sampled at the positive rising edge of the clock, $\overline{CAS}$ , $\overline{RAS}$ , and $\overline{WE}$ define the command to be executed by the SDRAM.
A0 - A12	Input	Level	–	<p>During a Bank Activate command cycle, A0-A12 define the row address (RA0-RA12) when sampled at the rising clock edge.</p> <p>During a Read or Write command cycle, A0-An define the column address (CA0-CAn) when sampled at the rising clock edge. CAn depends upon the SDRAM organization:</p> <p>64M x4 SDRAM    CAn = CA9, CA11    (Page Length = 2048 bits)            32M x8 SDRAM    CAn = CA9    (Page Length = 1024 bits)            16M x16 SDRAM    CAn = CA8    (Page Length = 512 bits)</p> <p>In addition to the column address, A10(= AP) is used to invoke the autoprecharge operation at the end of the burst read or write cycle. If A10 is high, autoprecharge is selected and BA0, BA1 defines the bank to be precharged. If A10 is low, autoprecharge is disabled.</p> <p>During a Precharge command cycle, A10 (= AP) is used in conjunction with BA0 and BA1 to control which bank(s) to precharge. If A10 is high, all four banks will be precharged regardless of the state of BA0 and BA1. If A10 is low, then BA0 and BA1 are used to define which bank to precharge.</p>
BA0, BA1	Input	Level	–	Bank Select Inputs. Bank address inputs selects which of the four banks a command applies to.
DQx	Input Output	Level	–	Data Input/Output pins operate in the same manner as on conventional DRAMs.

Pin	Type	Signal	Polarity	Function
DQM LDQM UDQM	Input	Pulse	Active High	The Data Input/Output mask places the DQ buffers in a high impedance state when sampled high. In Read mode, DQM has a latency of two clock cycles and controls the output buffers like an output enable. In Write mode, DQM has a latency of zero and operates as a word mask by allowing input data to be written if it is low but blocks the write operation if DQM is high. One DQM input is present in x4 and x8 SDRAMs, LDQM and UDQM controls the lower and upper bytes in x16 SDRAMs.
$V_{DD}$ $V_{SS}$	Supply	–	–	Power and ground for the input buffers and the core logic.
$V_{DDQ}$ $V_{SSQ}$	Supply	–	–	Isolated power supply and ground for the output buffers to provide improved noise immunity.



**Operation Definition**

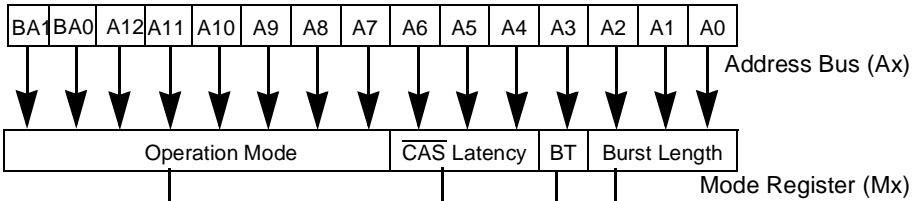
All of SDRAM operations are defined by states of control signals  $\overline{CS}$ ,  $\overline{RAS}$ ,  $\overline{CAS}$ ,  $\overline{WE}$ , and DQM at the positive edge of the clock. The following list shows the truth table for the operation commands.

Operation	Device State	CKE <sub>n-1</sub>	CKE <sub>n</sub>	DQM	BA0 BA1	AP= A10	Addr .	$\overline{CS}$	$\overline{RAS}$	$\overline{CAS}$	$\overline{WE}$
Bank Active	Idle <sup>3</sup>	H	X	X	V	V	V	L	L	H	H
Bank Precharge	Any	H	X	X	V	L	X	L	L	H	L
Precharge All	Any	H	X	X	X	H	X	L	L	H	L
Write	Active <sup>3</sup>	H	X	X	V	L	V	L	H	L	L
Write with Autoprecharge	Active <sup>3</sup>	H	X	X	V	H	V	L	H	L	L
Read	Active <sup>3</sup>	H	X	X	V	L	V	L	H	L	H
Read with Autoprecharge	Active <sup>3</sup>	H	X	X	V	H	V	L	H	L	H
Mode Register Set	Idle	H	X	X	V	V	V	L	L	L	L
No Operation	Any	H	X	X	X	X	X	L	H	H	H
Burst Stop	Active	H	X	X	X	X	X	L	H	H	L
Device Deselect	Any	H	X	X	X	X	X	H	X	X	X
Auto Refresh	Idle	H	H	X	X	X	X	L	L	L	H
Self Refresh Entry	Idle	H	L	X	X	X	X	L	L	L	H
Self Refresh Exit	Idle (Self Refr.)	L	H	X	X	X	X	H	X	X	X
								L	H	H	X
Clock Suspend Entry	Active	H	L	X	X	X	X	X	X	X	X
Power Down Entry (Precharge or active standby)	Idle	H	L	X	X	X	X	H	X	X	X
	Active <sup>4</sup>							L	H	H	H
Clock Suspend Exit	Active	L	H	X	X	X	X	X	X	X	X
Power Down Exit	Any (Power Down)	L	H	X	X	X	X	H	X	X	X
								L	H	H	L
Data Write/Output Enable	Active	H	X	L	X	X	X	X	X	X	X
Data Write/Output Disable	Active	H	X	H	X	X	X	X	X	X	X

**Notes**

1. V = Valid, x = Don't Care, L = Low Level, H = High Level
2. CKEn signal is input level when commands are provided, CKEn-1 signal is input level one clock before the commands are provided.
3. This is the state of the banks designated by BA0, BA1 signals.
4. Power Down Mode can not be entered in a burst cycle. When this command asserted in the burst mode cycle device is in clock suspend mode.

**Mode Register Set Table**



**Operation Mode**

M9	Mode
0	burst read / burst write
1	burst read / single write

**Burst Type**

M3	Type
0	Sequential
1	Interleave

**CAS Latency**

M6	M5	M4	Latency
0	0	0	Reserved
0	0	1	Reserved
0	1	0	2
0	1	1	3
1	0	0	Reserved
1	0	1	
1	1	0	
1	1	1	

**Burst Length**

M2	M1	M0	Length	
			Sequential	Interleave
0	0	0	1	1
0	0	1	2	2
0	1	0	4	4
0	1	1	8	8
1	0	0	Reserved	Reserved
1	0	1		
1	1	0		
1	1	1	Full page	

## Power On and Initialization

The default power on state of the mode register is supplier specific and may be undefined. The following power on and initialization sequence guarantees the device is preconditioned to each users specific needs. Like a conventional DRAM, the Synchronous DRAM must be powered up and initialized in a predefined manner. During power on, all  $V_{DD}$  and  $V_{DDQ}$  pins must be built up simultaneously to the specified voltage when the input signals are held in the "NOP" state. The power on voltage must not exceed  $V_{DD}+0.3V$  on any of the input pins or  $V_{DD}$  supplies. The CLK signal must be started at the same time. After power on, an initial pause of 200  $\mu s$  is required followed by a precharge of all banks using the precharge command. To prevent data contention on the DQ bus during power on, it is required that the DQM and CKE pins be held high during the initial pause period. Once all banks have been precharged, the Mode Register Set Command must be issued to initialize the Mode Register. A minimum of eight Auto Refresh cycles (CBR) are also required. These may be done before or after programming the Mode Register. Failure to follow these steps may lead to unpredictable start-up modes.

## Programming the Mode Register

The Mode register designates the operation mode at the read or write cycle. This register is divided into 4 fields. A Burst Length Field to set the length of the burst, an Addressing Selection bit to program the column access sequence in a burst cycle (interleaved or sequential), a  $\overline{CAS}$  Latency Field to set the access time at clock cycle and a Operation mode field to differentiate between normal operation (Burst read and burst Write) and a special Burst Read and Single Write mode. After the initial power up, the mode set operation must be done before any activate command. Any content of the mode register can be altered by re-executing the mode set command. All banks must be in precharged state and CKE must be high at least one clock before the mode set operation. After the mode register is set, a Standby or NOP command is required. Low signals of  $\overline{RAS}$ ,  $\overline{CAS}$ , and  $\overline{WE}$  at the positive edge of the clock activate the mode set operation. Address input data at this timing defines parameters to be set as shown in the previous table.

## Read and Write Operation

When  $\overline{RAS}$  is low and both  $\overline{CAS}$  and  $\overline{WE}$  are high at the positive edge of the clock, a  $\overline{RAS}$  cycle starts. According to address data, a word line of the selected bank is activated and all of sense amplifiers associated to the wordline are set. A  $\overline{CAS}$  cycle is triggered by setting  $\overline{RAS}$  high and  $\overline{CAS}$  low at a clock timing after a necessary delay,  $t_{RCD}$ , from the RAS timing.  $\overline{WE}$  is used to define either a read ( $\overline{WE} = H$ ) or a write ( $\overline{WE} = L$ ) at this stage.

SDRAM provides a wide variety of fast access modes. In a single  $\overline{CAS}$  cycle, serial data read or write operations are allowed at up to a 133 MHz data rate. The numbers of serial data bits are the burst length programmed at the mode set operation, i.e., one of 1, 2, 4, 8 and full page. Column addresses are segmented by the burst length and serial data accesses are done within this boundary. The first column address to be accessed is supplied at the  $\overline{CAS}$  timing and the subsequent addresses are generated automatically by the programmed burst length and its sequence. For example, in a burst length of 8 with interleave sequence, if the first address is '2', then the rest of the burst sequence is 3, 0, 1, 6, 7, 4, and 5.

Full page burst operation is only possible using sequential burst type and page length is a function of the I/O organisation and column addressing. Full page burst operation does not self terminate

once the burst length has been reached. In other words, unlike burst lengths of 2, 4 or 8, full page burst continues until it is terminated using other commands.

Similar to the page mode of conventional DRAM's, burst read or write accesses on any column address are possible once the  $\overline{\text{RAS}}$  cycle latches the sense amplifiers. The maximum  $t_{\text{RAS}}$  or the refresh interval time limits the number of random column accesses. A new burst access can be done even before the previous burst ends. The interrupt operation at every clock cycle is supported. When the previous burst is interrupted, the remaining addresses are overridden by the new address with the full burst length. An interrupt which accompanies an operation change from a read to a write is possible by exploiting DQM to avoid bus contention.

When two or more banks are activated sequentially, interleaved bank read or write operations are possible. With the programmed burst length, alternate access and precharge operations on two or more banks can realize fast serial data access modes among many different pages. Once two or more banks are activated, column to column interleave operation can be performed between different pages.

**Burst Length and Sequence:**

Burst Length	Starting Address (A2 A1 A0)	Sequential Burst Addressing (decimal)	Interleave Burst Addressing (decimal)
2	xx0 xx1	0, 1 1, 0	0, 1 1, 0
4	x00 x01 x10 x11	0, 1, 2, 3 1, 2, 3, 0 2, 3, 0, 1 3, 0, 1, 2	0, 1, 2, 3 1, 0, 3, 2 2, 3, 0, 1 3, 2, 1, 0
8	000 001 010 011 100 101 110 111	0 1 2 3 4 5 6 7 1 2 3 4 5 6 7 0 2 3 4 5 6 7 0 1 3 4 5 6 7 0 1 2 4 5 6 7 0 1 2 3 5 6 7 0 1 2 3 4 6 7 0 1 2 3 4 5 7 0 1 2 3 4 5 6	0 1 2 3 4 5 6 7 1 0 3 2 5 4 7 6 2 3 0 1 6 7 4 5 3 2 1 0 7 6 5 4 4 5 6 7 0 1 2 3 5 4 7 6 1 0 3 2 6 7 4 5 2 3 0 1 7 6 5 4 3 2 1 0
Full Page	nnn	Cn, Cn+1, Cn+2	not supported

**Refresh Mode**

SDRAM has two refresh modes, Auto Refresh and Self Refresh. Auto Refresh is similar to the  $\overline{\text{CAS}}$ -before- $\overline{\text{RAS}}$  refresh of conventional DRAMs. All banks must be precharged before applying any refresh mode. An on-chip address counter increments the word and the bank addresses and no bank information is required for both refresh modes.

The chip enters the Auto Refresh mode, when  $\overline{\text{RAS}}$  and  $\overline{\text{CAS}}$  are held low and CKE and  $\overline{\text{WE}}$  are held high at a clock timing. The mode restores word line after the refresh and no external precharge command is necessary. A minimum  $t_{\text{RC}}$  time is required between two automatic

refreshes in a burst refresh mode. The same rule applies to any access command after the automatic refresh operation.

The chip has an on-chip timer and the Self Refresh mode is available. The mode restores the word lines after  $\overline{\text{RAS}}$ ,  $\overline{\text{CAS}}$ , and CKE are low and  $\overline{\text{WE}}$  is high at a clock timing. All of external control signals including the clock are disabled. Returning CKE to high enables the clock and initiates the refresh exit operation. After the exit command, at least one tRC delay is required prior to any access command.

### DQM Function

DQM has two functions for data I/O read and write operations. During reads, when it turns to “high” at a clock timing, data outputs are disabled and become high impedance after two clock delay (DQM Data Disable Latency  $t_{\text{DQZ}}$ ). It also provides a data mask function for writes. When DQM is activated, the write operation at the next clock is prohibited (DQM Write Mask Latency  $t_{\text{DQW}}$  = zero clocks).

### Suspend Mode

During normal access mode, CKE is held high enabling the clock. When CKE is low, it freezes the internal clock and extends data read and write operations. One clock delay is required for mode entry and exit (Clock Suspend Latency  $t_{\text{CSL}}$ ).

### Power Down

In order to reduce standby power consumption, a power down mode is available. All banks must be precharged and the necessary Precharge delay ( $t_{\text{rp}}$ ) must occur before the SDRAM can enter the Power Down mode. Once the Power Down mode is initiated by holding CKE low, all of the receiver circuits except CLK and CKE are gated off. The Power Down mode does not perform any refresh operations, therefore the device can't remain in Power Down mode longer than the Refresh period ( $t_{\text{ref}}$ ) of the device. Exit from this mode is performed by taking CKE “high”. One clock delay is required for power down mode entry and and exit.

### Auto Precharge

Two methods are available to precharge SDRAMs. In an automatic precharge mode, the  $\overline{\text{CAS}}$  timing accepts one extra address, CA10, to determine whether the chip restores or not after the operation. If CA10 is high when a Read Command is issued, the **Read with Auto-Precharge** function is initiated. If CA10 is high when a Write Command is issued, the **Write with Auto-Precharge** function is initiated. The SDRAM automatically enters the precharge operation a time delay equal to  $t_{\text{WR}}$  (“write recovery time”) after the last data in.

### Precharge Command

There is also a separate precharge command available. When  $\overline{\text{RAS}}$  and  $\overline{\text{WE}}$  are low and  $\overline{\text{CAS}}$  is high at a clock timing, it triggers the precharge operation. Three address bits, BA0, BA1 and A10 are used to define banks as shown in the following list. The precharge command can be imposed one clock before the last data out for  $\overline{\text{CAS}}$  latency = 2 and two clocks before the last data out for  $\overline{\text{CAS}}$  latency = 3. Writes require a time delay  $t_{\text{wr}}$  (“write recovery time”) of 2 clocks minimum from the last data out to apply the precharge command.

Bank Selection by Address Bits

A10	BA0	BA1	
0	0	0	Bank 0
0	0	1	Bank 1
0	1	0	Bank 2
0	1	1	Bank 3
1	x	x	all Banks

### Burst Termination

Once a burst read or write operation has been initiated, there are several methods in which to terminate the burst operation prematurely. These methods include using another Read or Write Command to interrupt an existing burst operation, use a Precharge Command to interrupt a burst cycle and close the active bank, or using the Burst Stop Command to terminate the existing burst operation but leave the bank open for future Read or Write Commands to the same page of the active bank. When interrupting a burst with another Read or Write Command care must be taken to avoid DQ contention. The Burst Stop Command, however, has the fewest restrictions making it the easiest method to use when terminating a burst operation before it has been completed. If a Burst Stop command is issued during a burst write operation, then any residual data from the burst write cycle will be ignored. Data that is presented on the DQ pins before the Burst Stop Command is registered will be written to the memory.

**Absolute Maximum Ratings**

Operating temperature range .....	0 to + 70 °C
Storage temperature range .....	- 55 to + 150 °C
Input/output voltage .....	- 0.3 to $V_{DD}+0.3$ V
Power supply voltage $V_{DD}$ / $V_{DDQ}$ .....	- 0.3 to + 4.6 V
Power Dissipation.....	1 W
Data out current (short circuit) .....	50 mA

**Note:** Stresses above those listed under “Absolute Maximum Ratings” may cause permanent damage of the device. Exposure to absolute maximum rating conditions for extended periods may affect device reliability.

**Recommended Operation and Characteristics:**

$T_A = 0$  to 70 °C;  $V_{SS} = 0$  V;  $V_{DD} = 3.3$  V  $\pm$  0.3 V,  $t_T = 1$  ns

Parameter	Symbol	Limit Values		Unit	Notes
		min.	max.		
Input high voltage	$V_{IH}$	2.0	$V_{DD}+0.3$	V	1, 2
Input low voltage	$V_{IL}$	- 0.3	0.8	V	1, 2
Output high voltage ( $I_{OUT} = - 4.0$ mA)	$V_{OH}$	2.4	-	V	
Output low voltage ( $I_{OUT} = 4.0$ mA)	$V_{OL}$	-	0.4	V	
Input leakage current, any input ( $0$ V < $V_{IN}$ < $V_{DDQ}$ ; all other inputs = 0 V)	$I_{I(L)}$	- 5	5	$\mu$ A	
Output leakage current (DQ is disabled, $0$ V < $V_{OUT}$ < $V_{DD}$ )	$I_{O(L)}$	- 5	5	$\mu$ A	

**Notes:**

1. All voltages are referenced to  $V_{SS}$ .
2.  $V_{IH}$  may overshoot to  $V_{DD} + 2.0$  V for pulse width of < 4ns with 3.3V.  $V_{IL}$  may undershoot to -2.0 V for pulse width < 4.0 ns with 3.3V. Pulse width measured at 50% points with amplitude measured peak to DC reference.

**Capacitance**

$T_A = 0$  to 70 °C;  $V_{SS} = 0$  V;  $V_{DD} = 3.3$  V  $\pm$  0.3 V,  $f = 1$  MHz

Parameter	Symbol	Values		Unit
		min.	max.	
Input capacitance (CLK)	$C_{I1}$	2.5	3.5	pF
Input capacitance (A0-A12, BA0,BA1,RAS, CAS, WE, CS, CKE, DQM)	$C_{I2}$	2.5	3.8	pF
Input / Output capacitance (DQ)	$C_{IO}$	4.0	6.0	pF

**Operating Currents**
 $T_A = 0 \text{ to } 70 \text{ }^\circ\text{C}$ ;  $V_{SS} = 0 \text{ V}$ ;  $V_{DD} = 3.3 \text{ V} \pm 0.3 \text{ V}$ 

(Recommended Operating Conditions unless otherwise noted)

Parameter & Test Condition		Symb.	-7.5	-8		Note
			max.	max.		
<b>OPERATING CURRENT</b> tck=tckmin, All banks operated in random access, all banks operated in ping-pong manner.		ICC1	230	170	mA	3, 4
<b>PRECHARGE STANDBY CURRENT in Power Down Mode</b> $\overline{CS} = V_{IH} \text{ (min.)}$ , $CKE \leq V_{IL} \text{ (max)}$		tck = min. ICC2P	2	2	mA	3
<b>PRECHARGE STANDBY CURRENT in Non-Power Down Mode</b> $\overline{CS} = V_{IH} \text{ (min.)}$ , $CKE \geq V_{IH} \text{ (min)}$		tck = min. ICC2N	40	30	mA	3
<b>NO OPERATING CURRENT</b> tck = min., $\overline{CS} = V_{IH} \text{ (min)}$ , active state ( max. 4 banks)		$CKE \geq V_{IH} \text{ (min.)}$ ICC3N	50	45	mA	3
		$CKE \leq V_{IL} \text{ (max.)}$ ICC3P	10	10	mA	3
<b>BURST OPERATING CURRENT</b> tck = min., Read command cycling		ICC4	150	100	mA	3,4
<b>AUTO REFRESH CURRENT</b> tck = min., trc=trcmin., Auto Refresh command cycling		ICC5	240	220	mA	3
<b>SELF REFRESH CURRENT</b> Self Refresh Mode, $CKE=0.2V$ tck=infinity		standard version L-version	3 1.3	3 1.3	mA mA	

**Notes:**

- These parameters depend on the cycle rate. All values are measured at 133 MHz operation frequency for -7.5 devices and at 100 MHz for -8 devices. Input signals are changed once during tck.
- These parameters are measured with continuous data stream during read access and all DQ toggling. CL=3 and BL=4 is assumed and the  $V_{DDQ}$  current is excluded.



**AC Characteristics 1)2)**
 $T_A = 0 \text{ to } 70 \text{ }^\circ\text{C}$ ;  $V_{SS} = 0 \text{ V}$ ;  $V_{DD} = 3.3 \text{ V} \pm 0.3 \text{ V}$ ,  $t_T = 1 \text{ ns}$ 

Parameter	Symbol	Limit Values				Unit
		-7.5 PC133-333		-8 PC100-222		
		min.	max.	min.	max.	

**Clock and Clock Enable**

Clock Cycle Time	$t_{CK}$	7.5	10	8	10	–	ns	
$\overline{\text{CAS}}$ Latency = 3								
$\overline{\text{CAS}}$ Latency = 2								
Clock Frequency	$t_{CK}$	–	133	–	125	–	MHz	
$\overline{\text{CAS}}$ Latency = 3								
$\overline{\text{CAS}}$ Latency = 2								
Access Time from Clock	$t_{AC}$	–	5.4	–	6	–	ns	2,
$\overline{\text{CAS}}$ Latency = 3								
$\overline{\text{CAS}}$ Latency = 2								3,
Clock High Pulse Width	$t_{CH}$	2.5	–	3	–	–	ns	7
Clock Low Pulse Width	$t_{CL}$	2.5	–	3	–	–	ns	
Transition time	$t_T$	0.3	1.2	0.5	10	–	ns	

**Setup and Hold Times**

Input Setup Time	$t_{IS}$	1.5	–	2	–	–	ns	4
Input Hold Time	$t_{IH}$	0.8	–	1	–	–	ns	4
CKE Setup Time	$t_{CKS}$	1.5	–	2	–	–	ns	4
CKE Hold Time	$t_{CKH}$	0.8	–	1	–	–	ns	4
Mode Register set to Active delay	$t_{RSC}$	2	–	2	–	–	CLK	
Power Down Mode Entry Time	$t_{SB}$	0	7.5	0	8	–	ns	

**Common Parameters**

Row to Column Delay Time	$t_{RCD}$	20	–	20	–	–	ns	5
Row Precharge Time	$t_{RP}$	20	–	20	–	–	ns	5
Row Active Time	$t_{RAS}$	45	100k	48	100k	–	ns	5
Row Cycle Time	$t_{RC}$	67	–	70	–	–	ns	5
Activate(a) to Activate(b) Command period	$t_{RRD}$	15	–	16	–	–	ns	5

Parameter	Symbol	Limit Values				Unit
		-7.5 PC133-333		-8 PC100-222		
		min.	max.	min.	max.	
CAS(a) to CAS(b) Command period	$t_{CCD}$	1	–	1	–	CLK

**Refresh Cycle**

Refresh Period (8192 cycles)	$t_{REF}$	–	64	–	64	ms	
Self Refresh Exit Time	$t_{SREX}$	1	–	1		CLK	6

**Read Cycle**

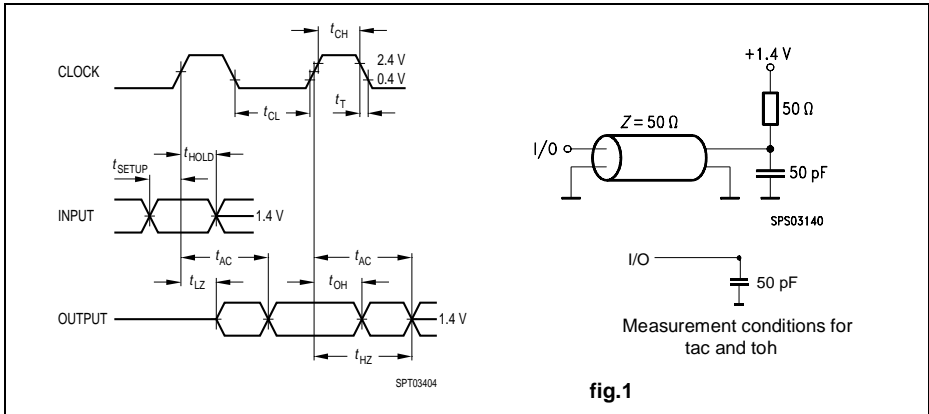
Data Out Hold Time	$t_{OH}$	3	–	3	–	ns	2, 7
Data Out to Low Impedance Time	$t_{LZ}$	0	–	0	–	ns	
Data Out to High Impedance Time	$t_{HZ}$	3	7	3	8	ns	
DQM Data Out Disable Latency	$t_{DQZ}$	–	2	–	2	CLK	

**Write Cycle**

Data Input to Precharge (write recovery)	$t_{WR}$	2	–	2	–	CLK	8
DQM Write Mask Latency	$t_{DQW}$	0	–	0	–	CLK	

**Notes for AC Parameters:**

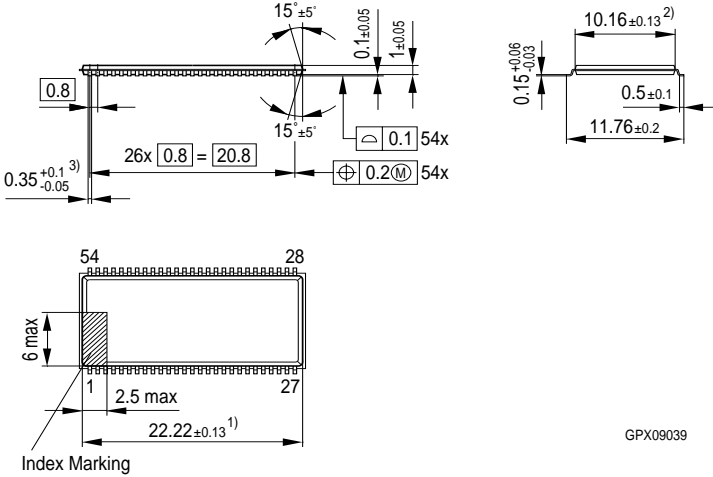
1. For proper power-up see the operation section of this data sheet.
2. AC timing tests have  $V_{il} = 0.4\text{ V}$  and  $V_{ih} = 2.4\text{ V}$  with the timing referenced to the 1.4 V crossover point. The transition time is measured between  $V_{ih}$  and  $V_{il}$ . All AC measurements assume  $t_r = 1\text{ ns}$  with the AC output load circuit shown in fig.1. Specified  $t_{ac}$  and  $t_{oh}$  parameters are measured with a 50 pF only, without any resistive termination and with an input signal of 1V / ns edge rate between 0.8V and 2.0 V.



3. If clock rising time is longer than 1 ns, a time  $(t_r/2 - 0.5)\text{ ns}$  has to be added to this parameter.
4. If  $t_T$  is longer than 1 ns, a time  $(t_r - 1)\text{ ns}$  has to be added to this parameter.
5. These parameter account for the number of clock cycles and depend on the operating frequency of the clock, as follows:  
*the number of clock cycles = specified value of timing period (counted in fractions as a whole number)*
6. Self Refresh Exit is a synchronous operation and begins on the 2nd positive clock edge after CKE returns high. Self Refresh Exit is not complete until a time period equal to  $t_{RC}$  is satisfied once the Self Refresh Exit command is registered.
7. Access time from clock  $t_{ac}$  is 4.6 ns for PC133 components with no termination and 0 pF load, Data out hold time  $t_{oh}$  is 1.8 ns for PC133 components with no termination and 0 pF load.
8. The write recovery time  $t_{wr} = 2\text{ CLK}$  cycles is a digital interlock on this device. Special devices with  $t_{wr} = 1\text{ CLK}$  for operations at less or equal 83 MHz are available.

**Package Outlines**

**Plastic Package P-TSOPII-54**  
 (400 mil, 0.8 mm lead pitch)  
 Thin Small Outline Package, SMD



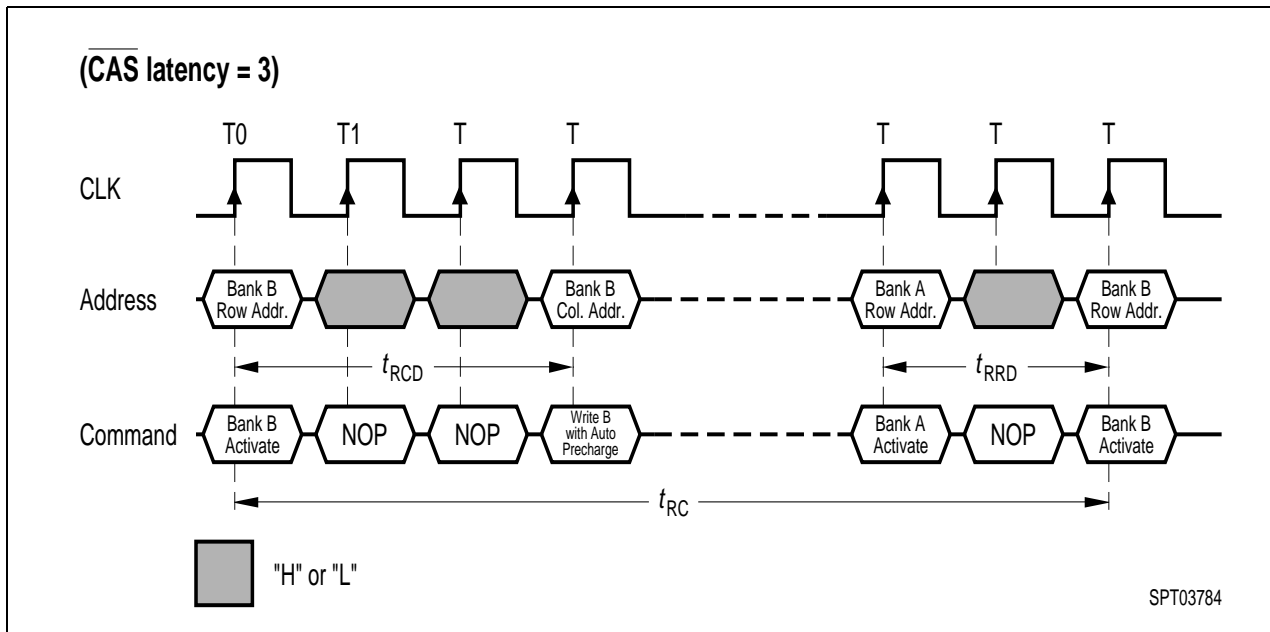
GPX09039

- 1) Does not include plastic or metal protrusion of 0.15 max per side
- 2) Does not include plastic protrusion of 0.25 max per side
- 3) Does not include dambar protrusion of 0.13 max per side

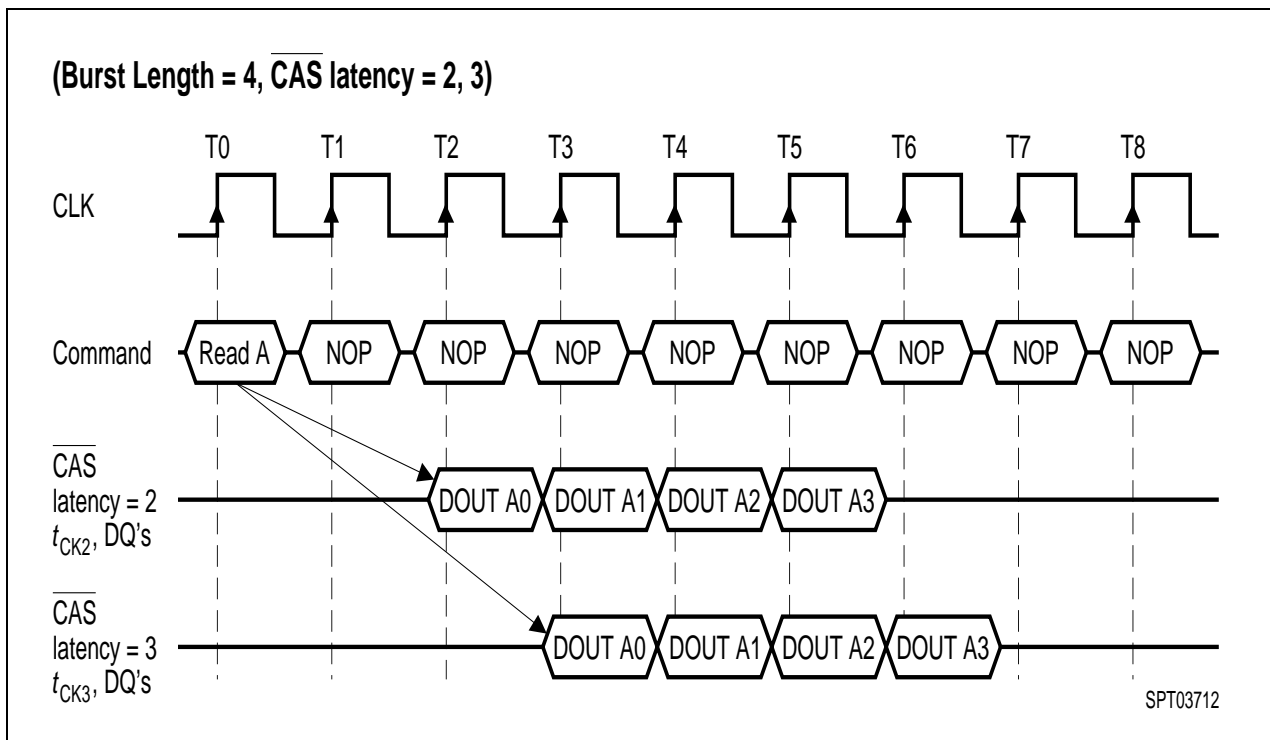
## Timing Diagrams

1. Bank Activate Command Cycle
2. Burst Read Operation
3. Read Interrupted by a Read
4. Read to Write Interval
  - 4.1 Read to Write Interval
  - 4.2 Minimum Read to Write Interval
  - 4.3 Non-Minimum Read to Write Interval
5. Burst Write Operation
6. Write and Read Interrupt
  - 6.1 Write Interrupted by a Write
  - 6.2 Write Interrupted by Read
7. Burst Write & Read with Auto-Precharge
  - 7.1 Burst Write with Auto-Precharge
  - 7.2 Burst Read with Auto-Precharge
8. AC- Parameters
  - 8.1 AC Parameters for a Write Timing
  - 8.2 AC Parameters for a Read Timing
9. Mode Register Set
10. Power on Sequence and Auto Refresh (CBR)
11. Clock Suspension (using CKE)
  11. 1 Clock Suspension During Burst Read  $\overline{\text{CAS}}$  Latency = 2
  11. 2 Clock Suspension During Burst Read  $\overline{\text{CAS}}$  Latency = 3
  11. 3 Clock Suspension During Burst Write  $\overline{\text{CAS}}$  Latency = 2
  11. 4 Clock Suspension During Burst Write  $\overline{\text{CAS}}$  Latency = 3
12. Power Down Mode and Clock Suspend
13. Self Refresh ( Entry and Exit )
14. Auto Refresh ( CBR )
15. Random Column Read ( Page within same Bank)
  - 15.1  $\overline{\text{CAS}}$  Latency = 2
  - 15.2  $\overline{\text{CAS}}$  Latency = 3
16. Random Column Write ( Page within same Bank)
  - 16.1  $\overline{\text{CAS}}$  Latency = 2
  - 16.2  $\overline{\text{CAS}}$  Latency = 3
17. Random Row Read ( Interleaving Banks) with Precharge
  - 17.1  $\overline{\text{CAS}}$  Latency = 2
  - 17.2  $\overline{\text{CAS}}$  Latency = 3
18. Random Row Write ( Interleaving Banks) with Precharge
  - 18.1  $\overline{\text{CAS}}$  Latency = 2
  - 18.2  $\overline{\text{CAS}}$  Latency = 3
19. Precharge Termination of a Burst
20. Full Page Burst Operation
  - 20.1 Full Page Burst Read,  $\overline{\text{CAS}}$  Latency = 2
  - 20.2 Full Page Burst Write,  $\overline{\text{CAS}}$  Latency = 3

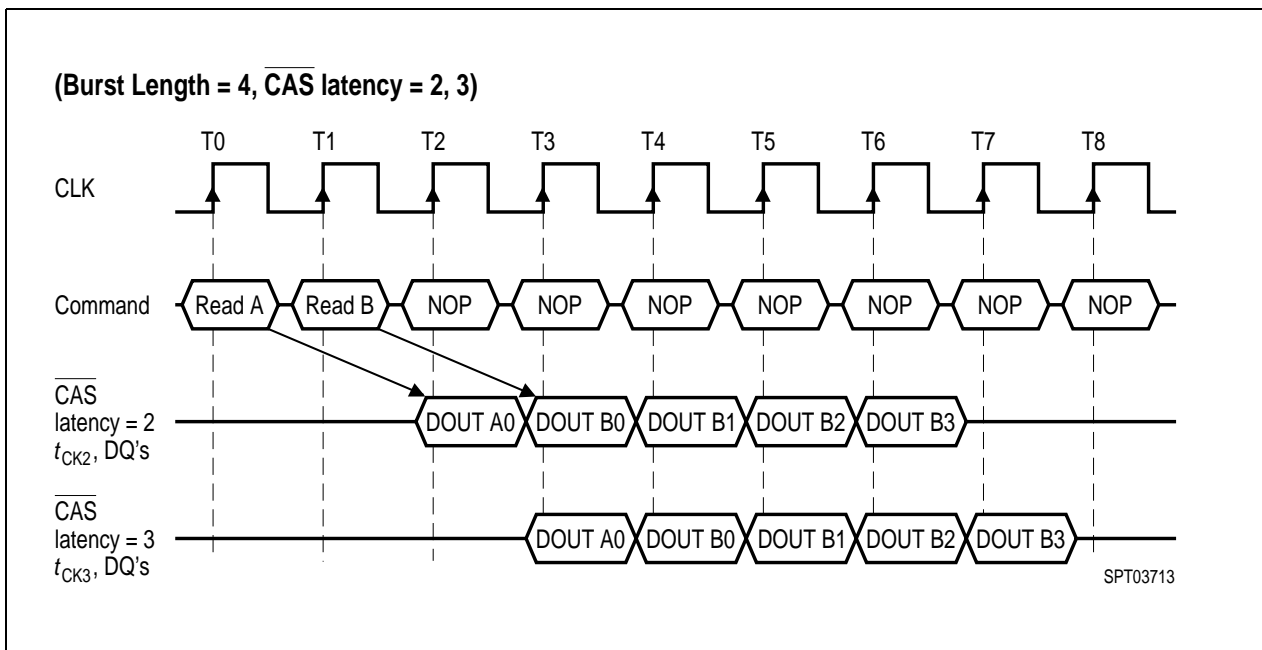
### 1. Bank Activate Command Cycle



### 2. Burst Read Operation

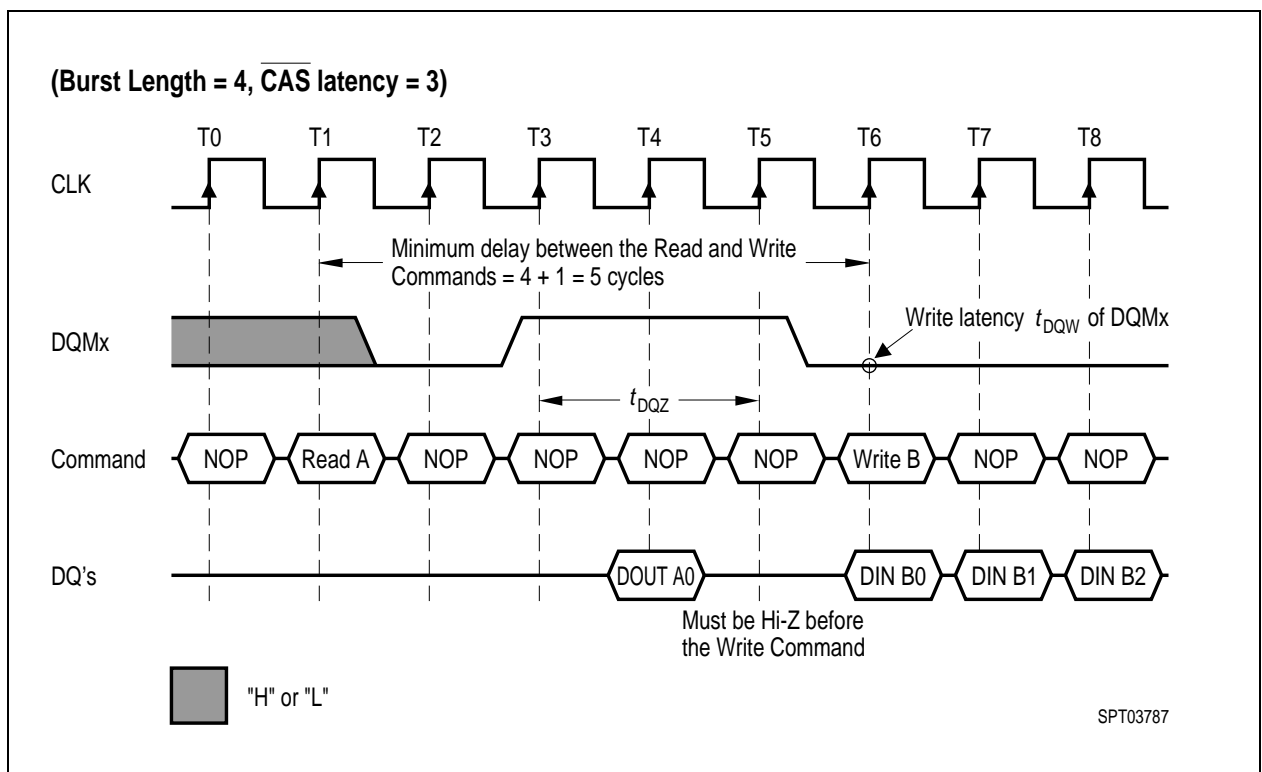


### 3. Read Interrupted by a Read

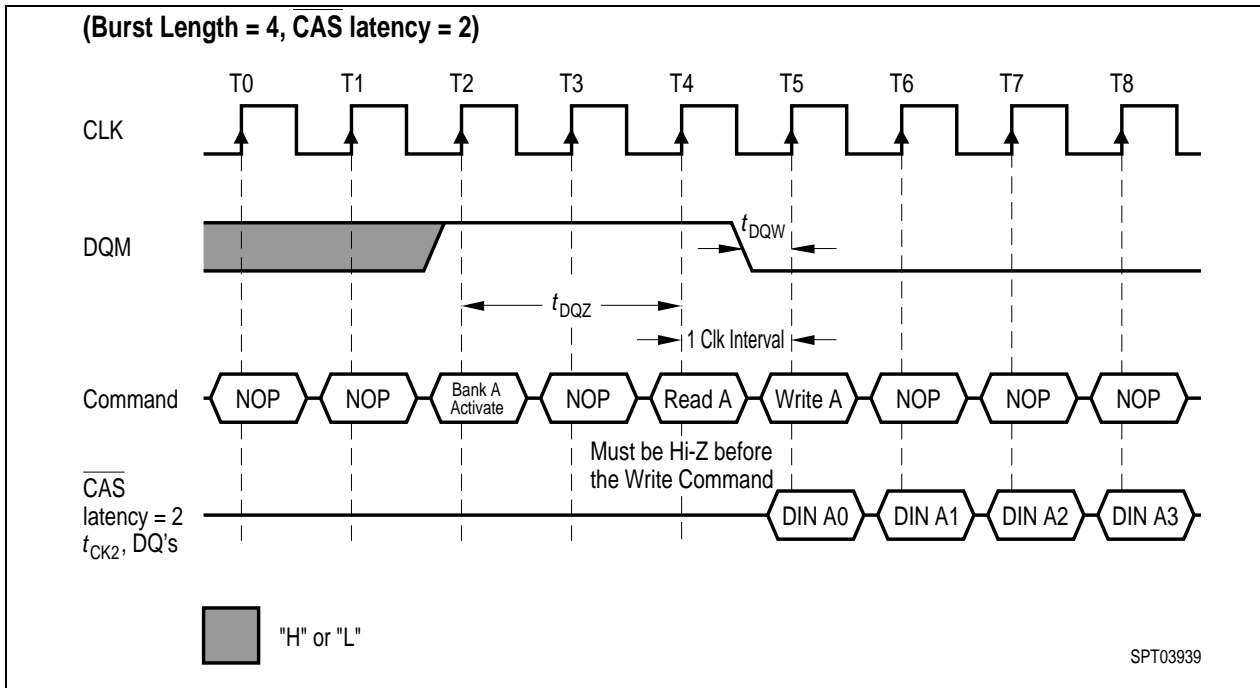


### 4. Read to Write Interval

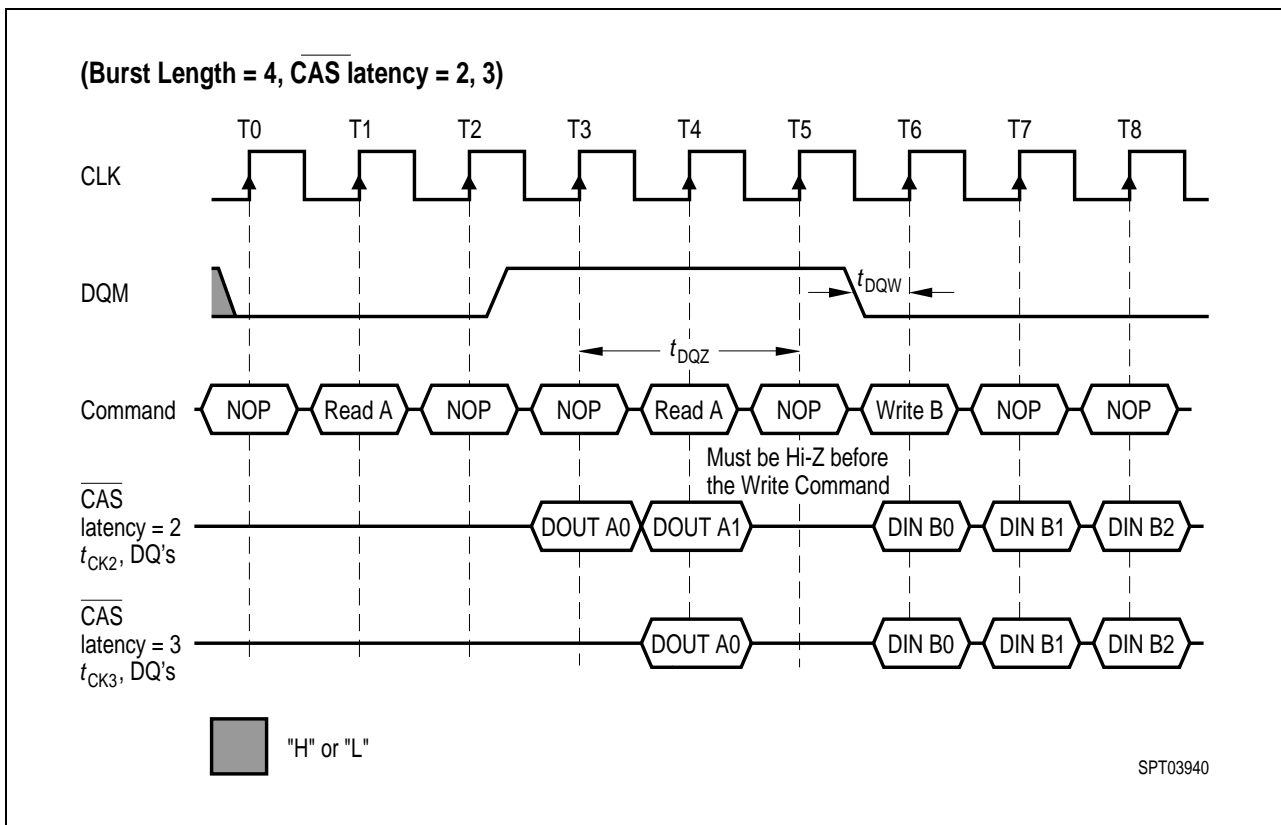
#### 4.1 Read to Write Interval



### 4.2. Minimum Read to Write Interval

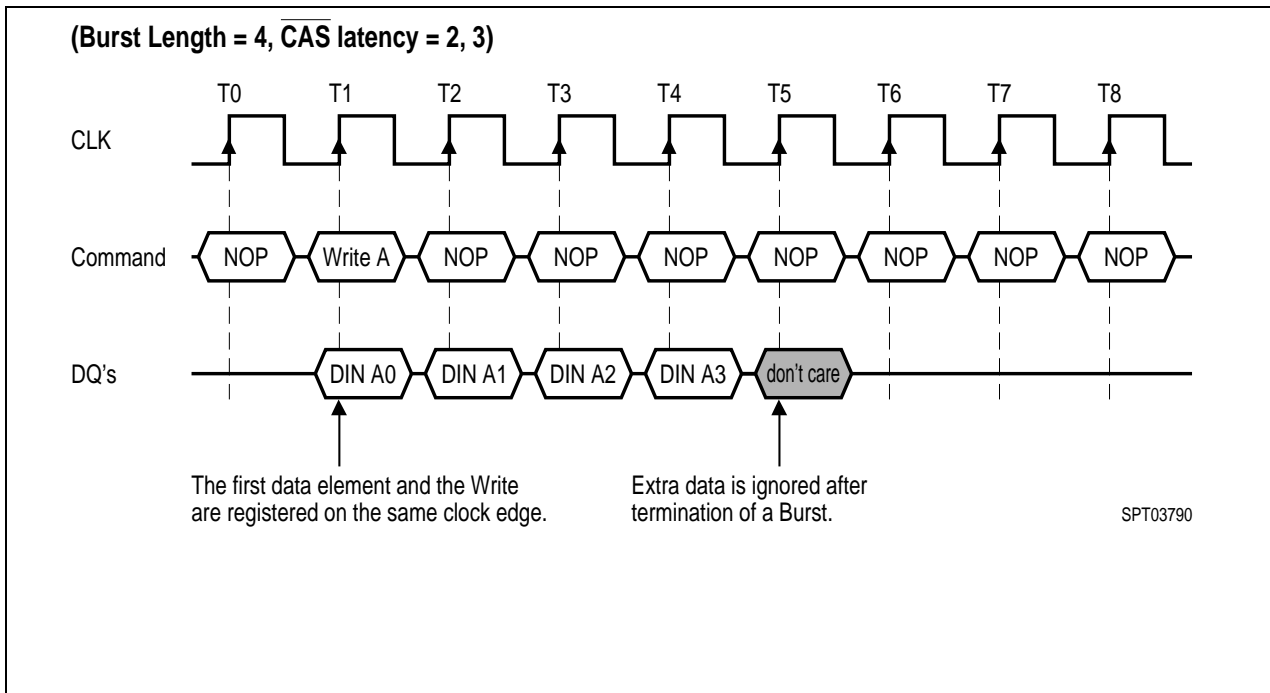


### 4.3. Non-Minimum Read to Write Interval



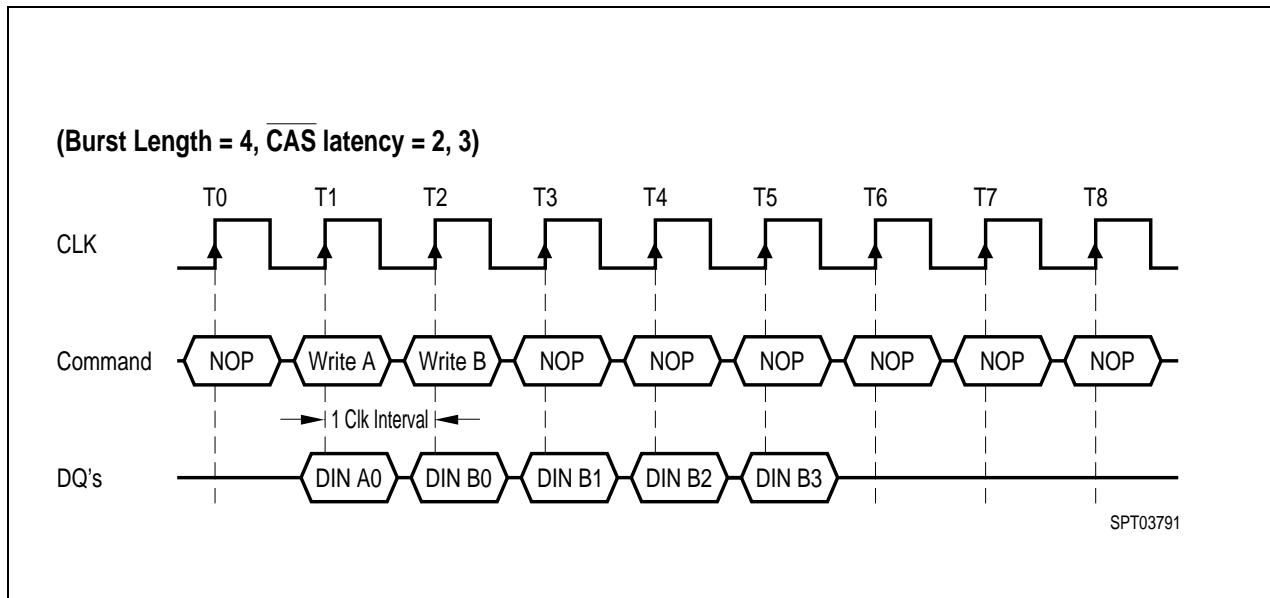


### 5. Burst Write Operation

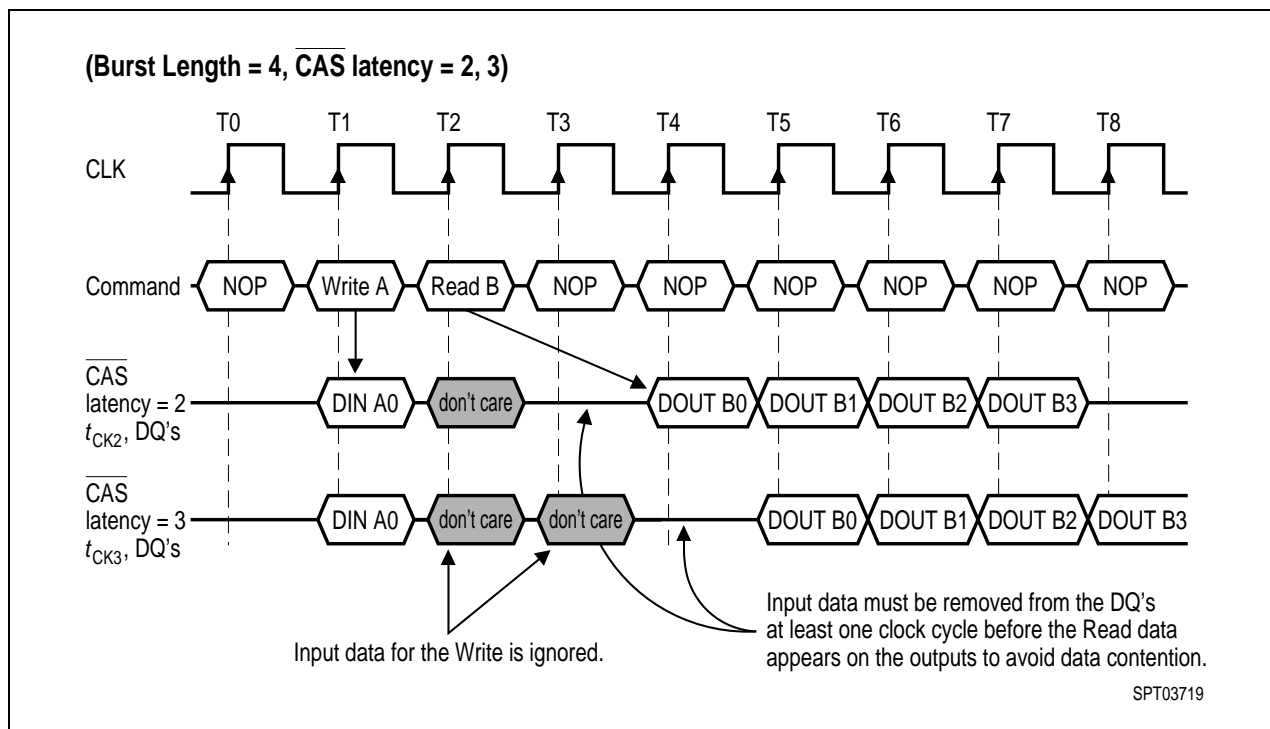


## 6. Write and Read Interrupt

### 6.1 Write Interrupted by a Write

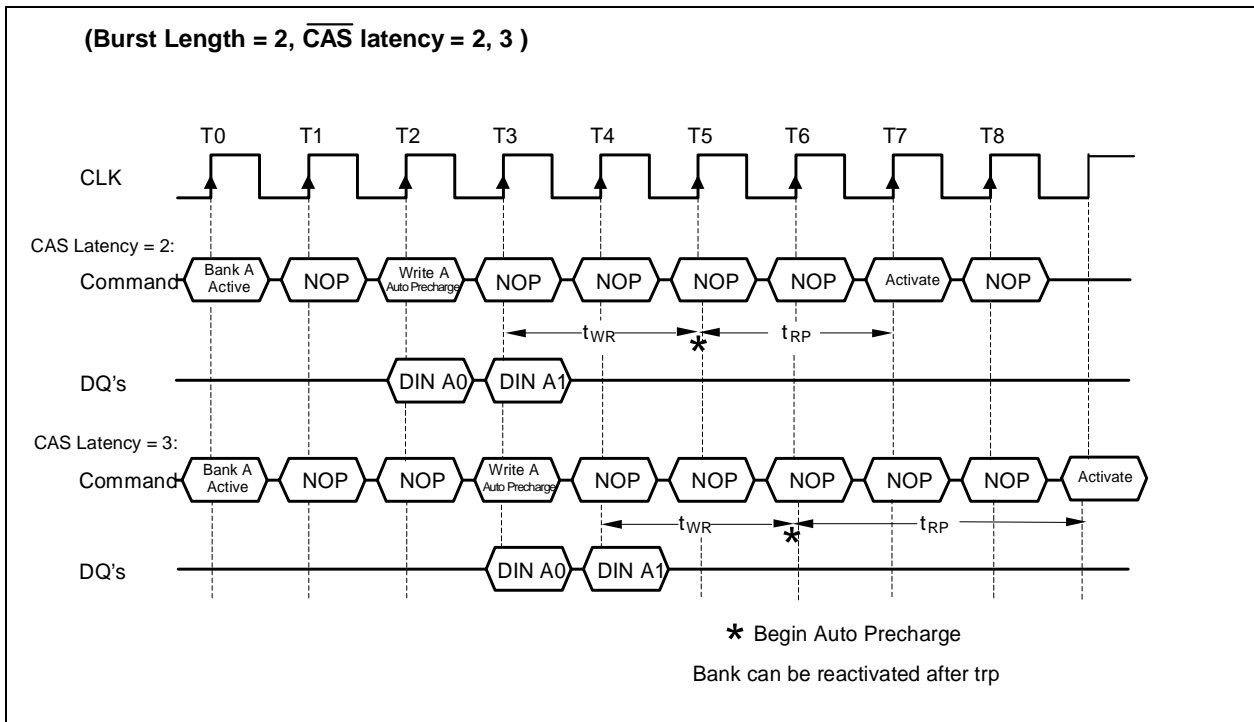


### 6.2 Write Interrupted by a Read

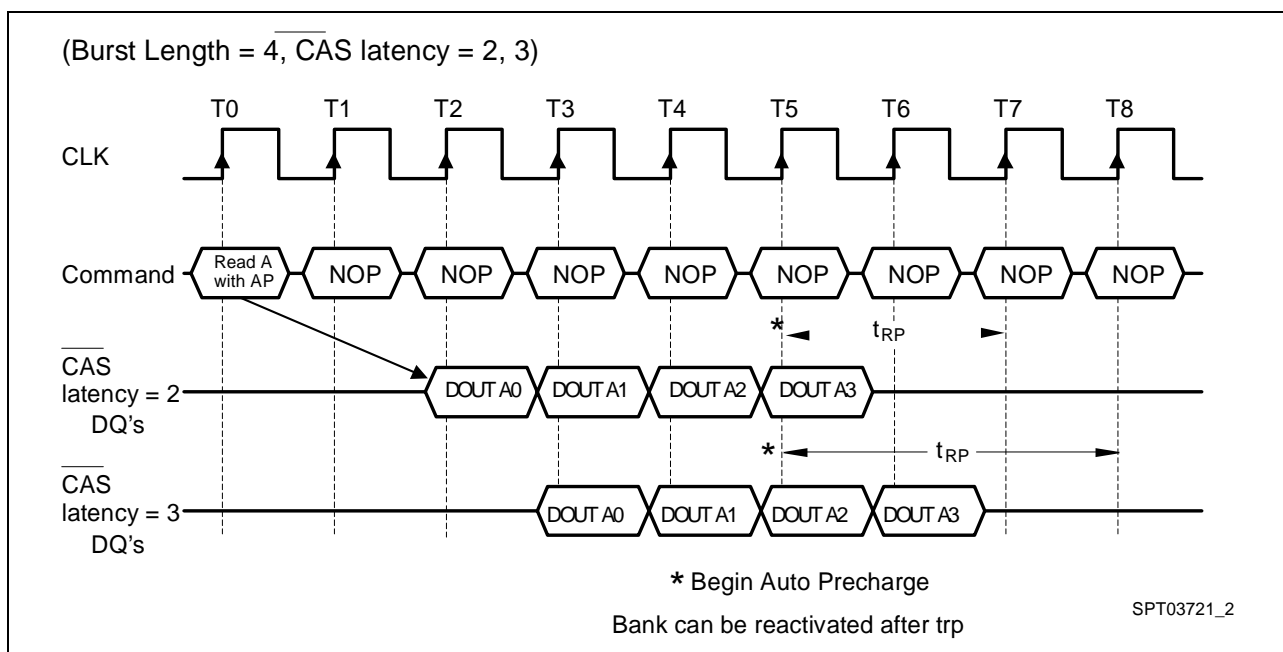


## 7. Burst Write and Read with Auto Precharge

### 7.1 Burst Write with Auto-Precharge

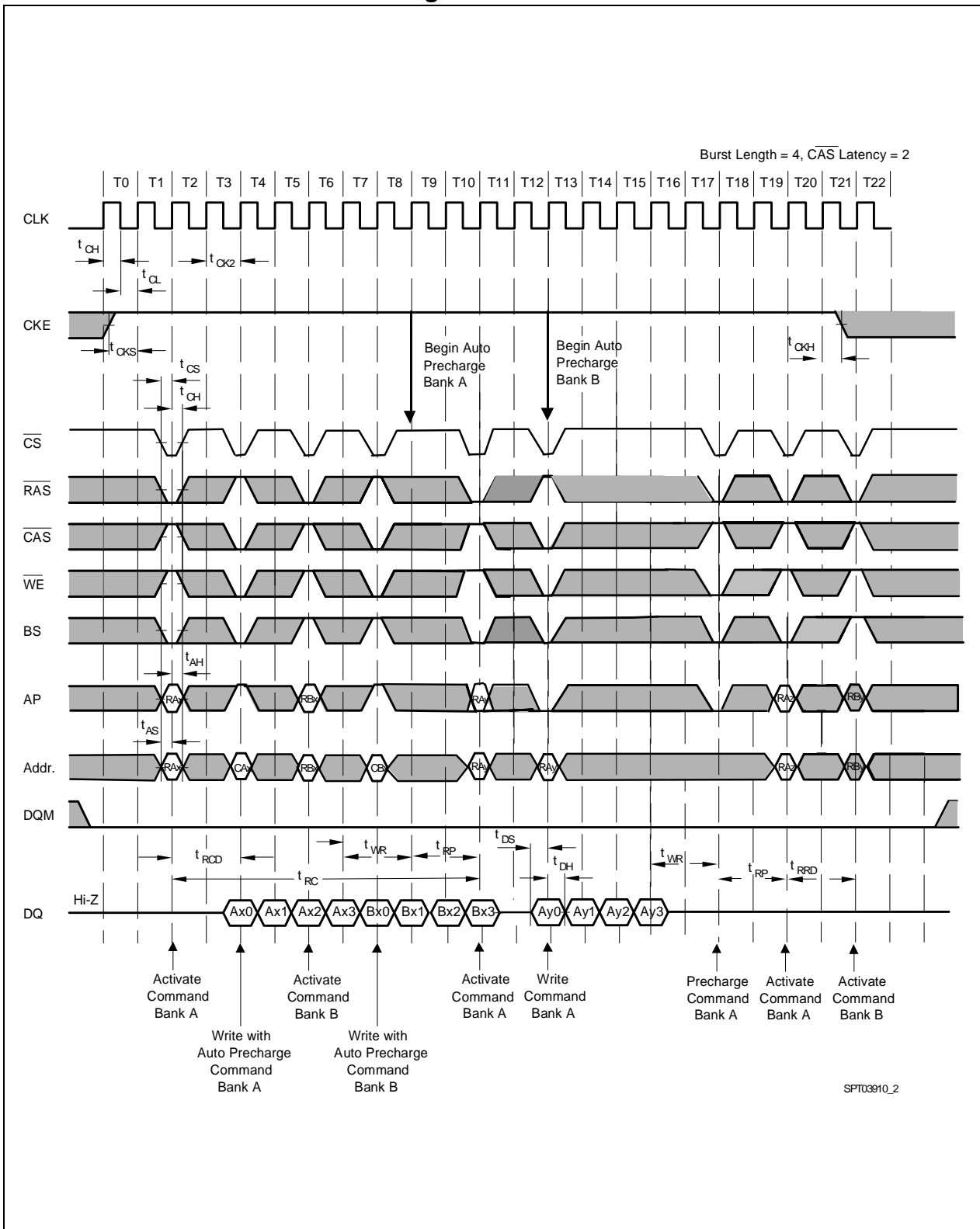


### 7.2 Burst Read with Auto-Precharge

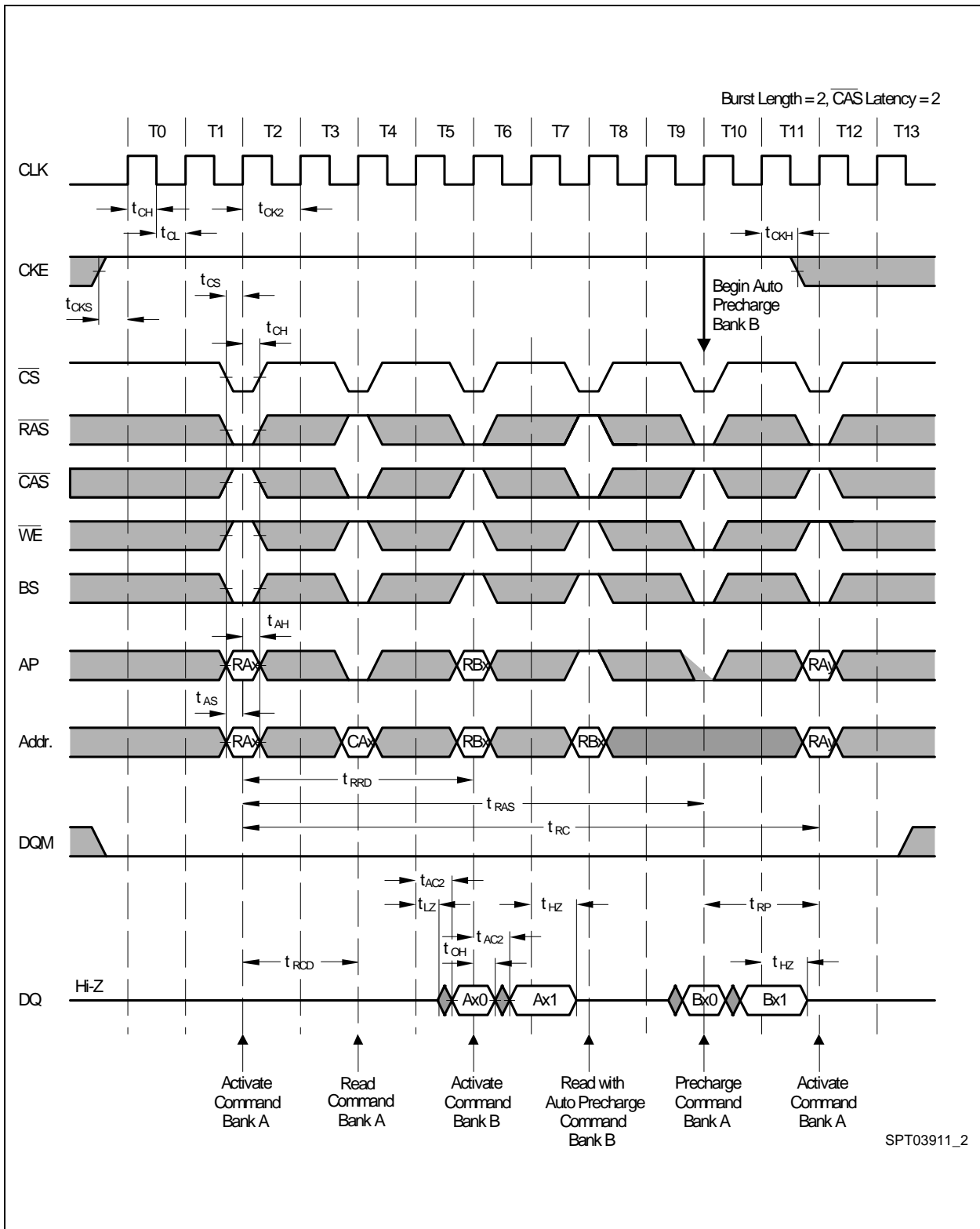


## 8. AC Parameters

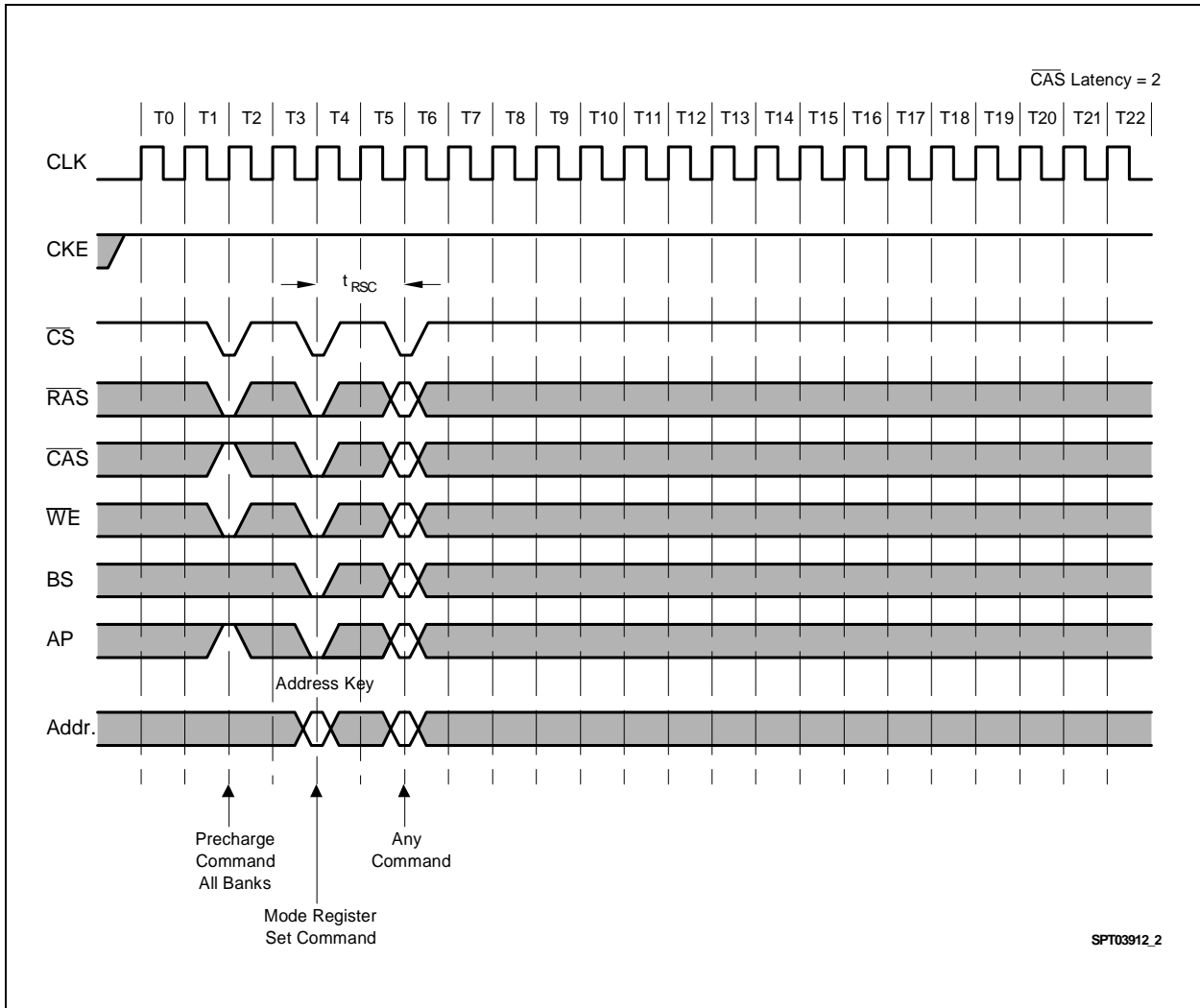
### 8.1 AC Parameters for a Write Timing



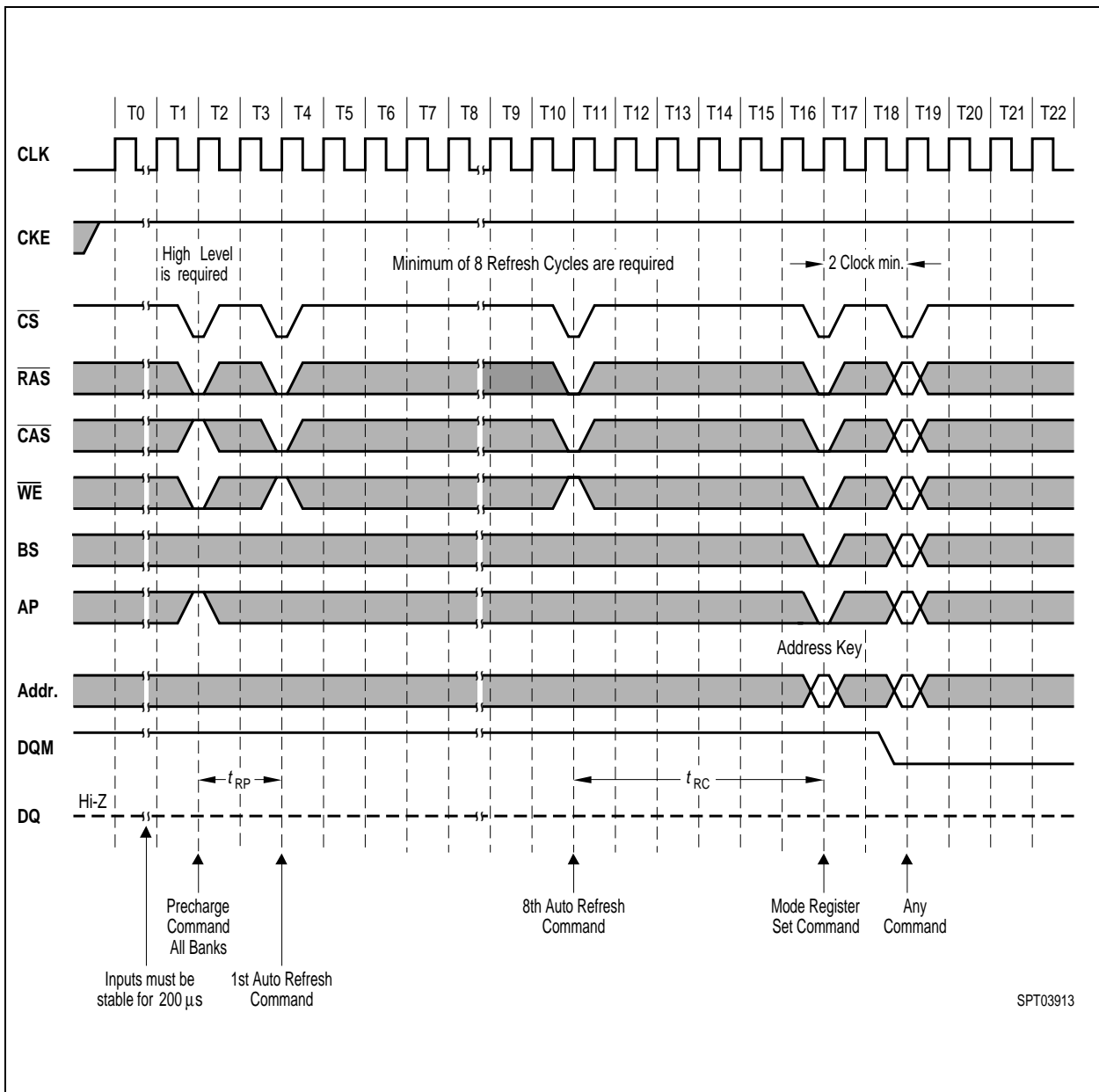
### 8.2 AC Parameters for a Read Timing



### 9. Mode Register Set

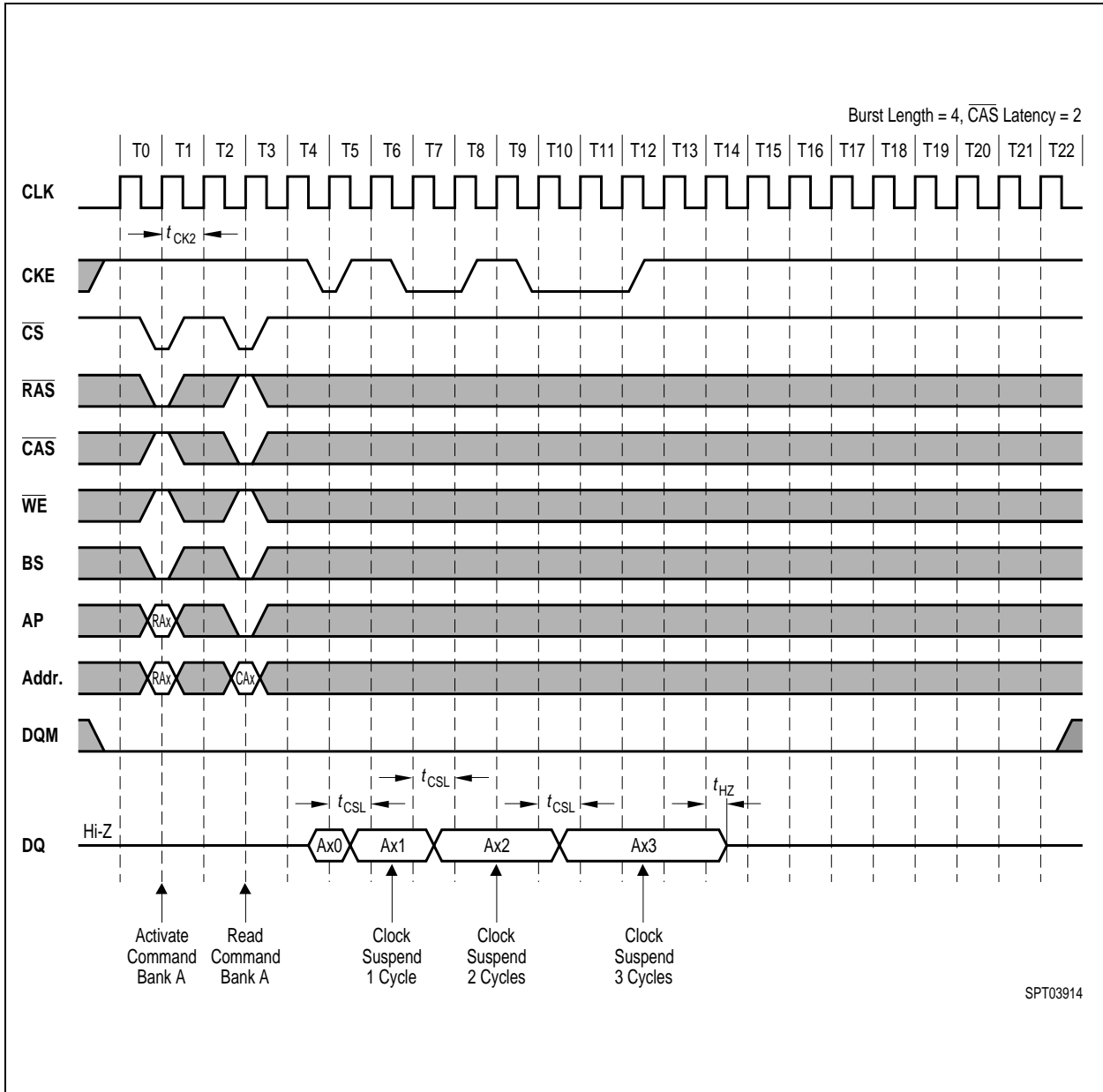


**10. Power on Sequence and Auto Refresh (CBR)**



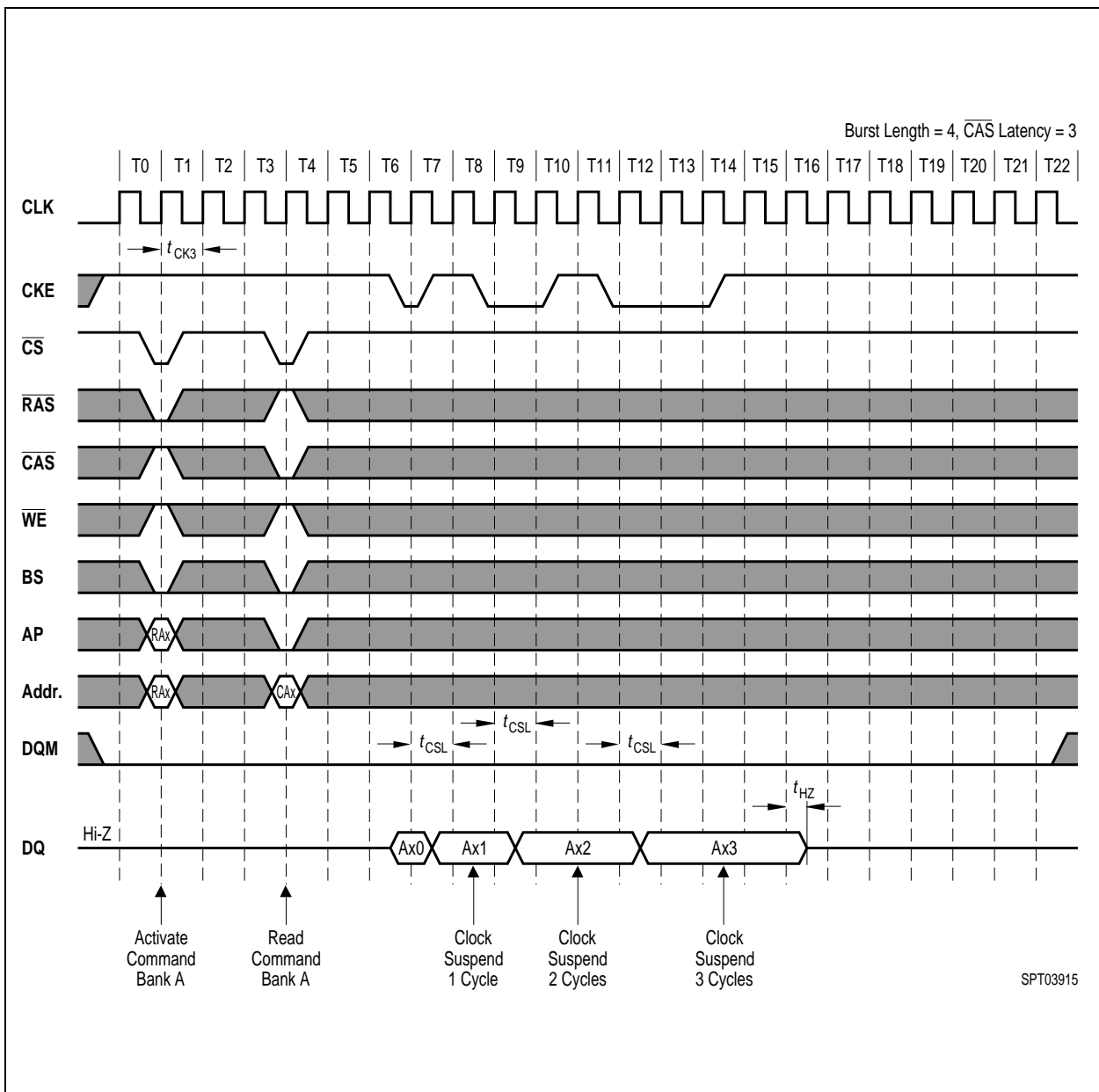
## 11. Clock Suspension ( Using CKE)

### 11.1 Clock Suspension During Burst Read $\overline{\text{CAS}}$ Latency = 2

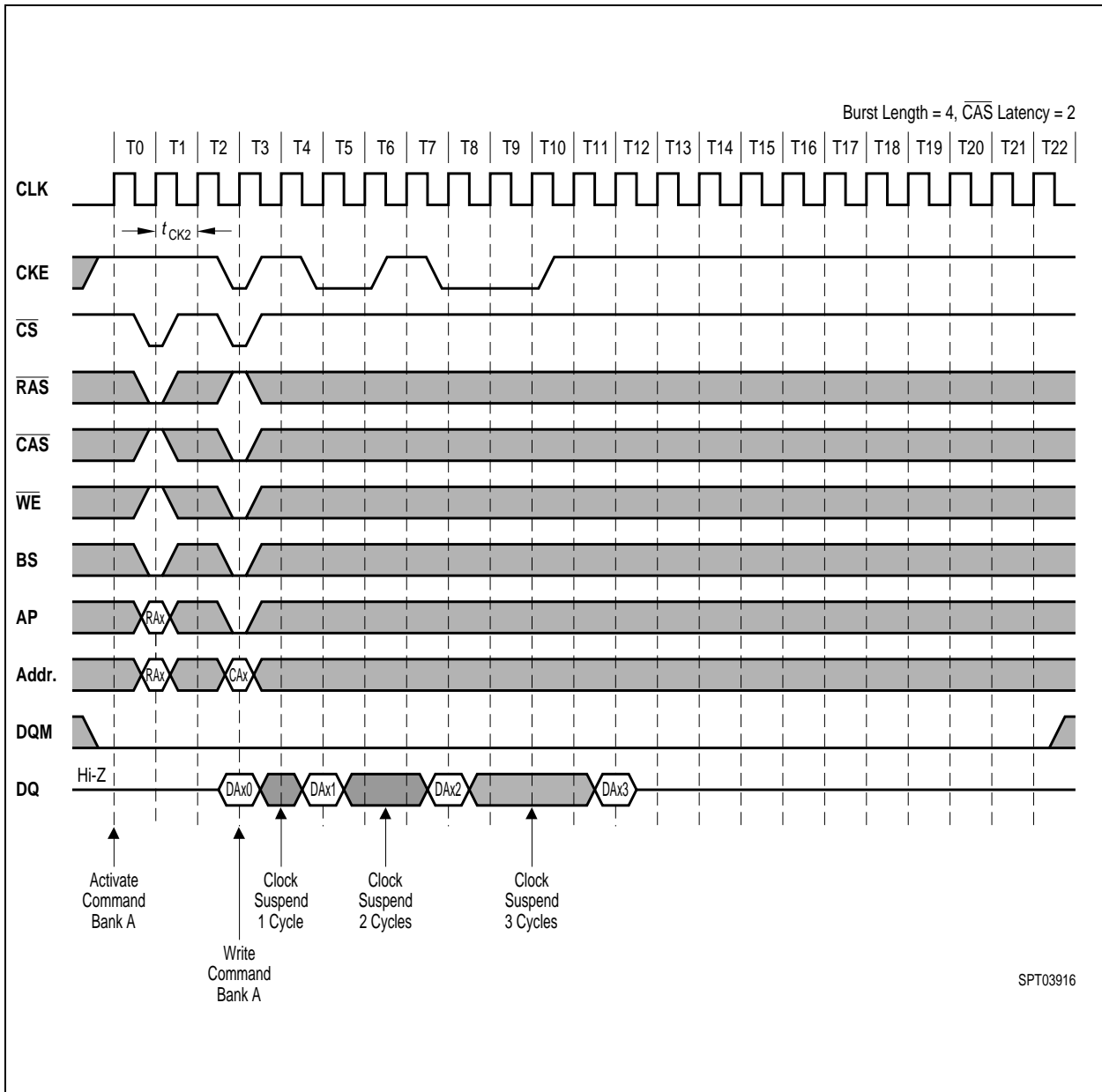




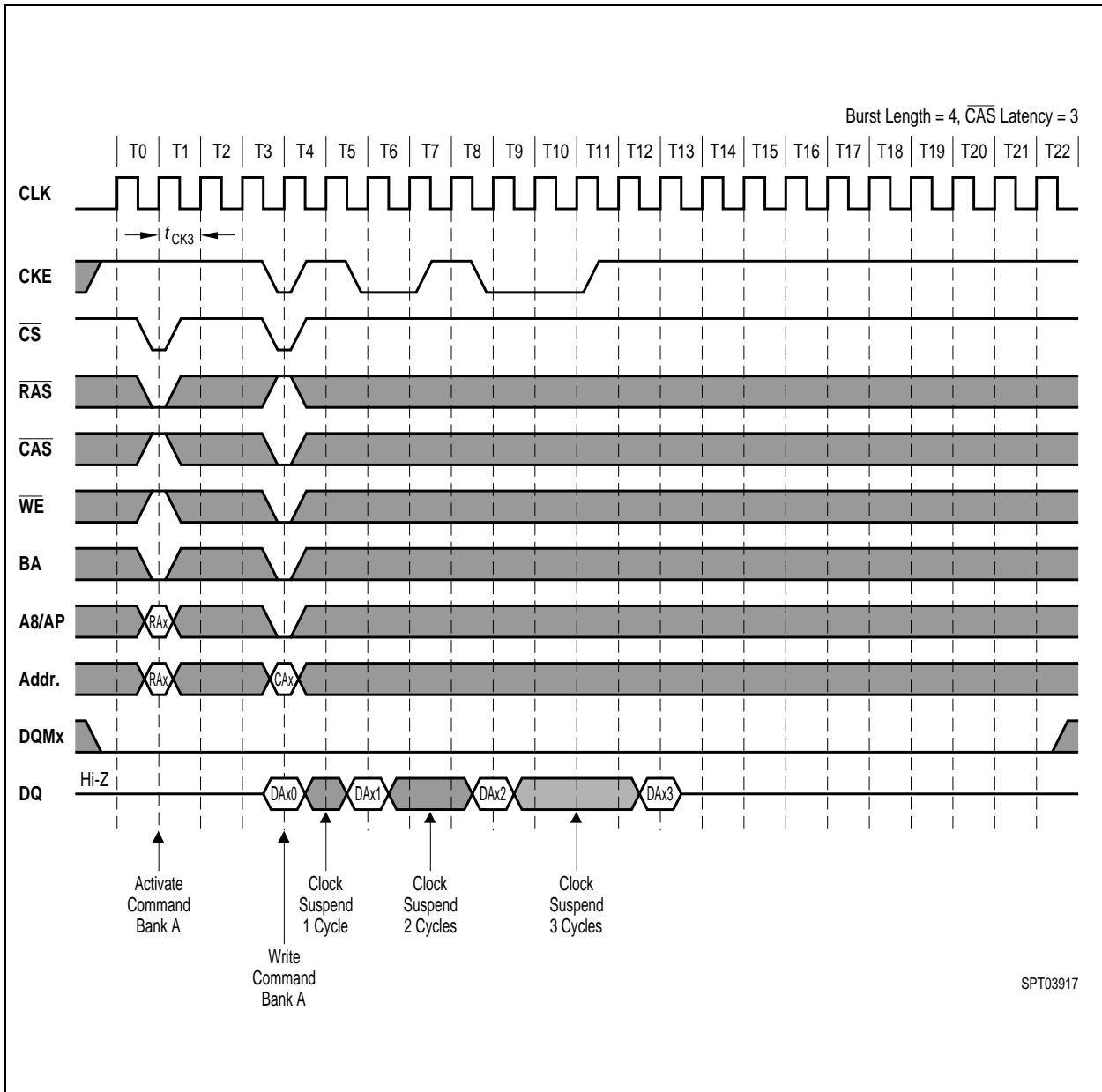
**11.2 Clock Suspension During Burst Read  $\overline{\text{CAS}}$  Latency = 3**



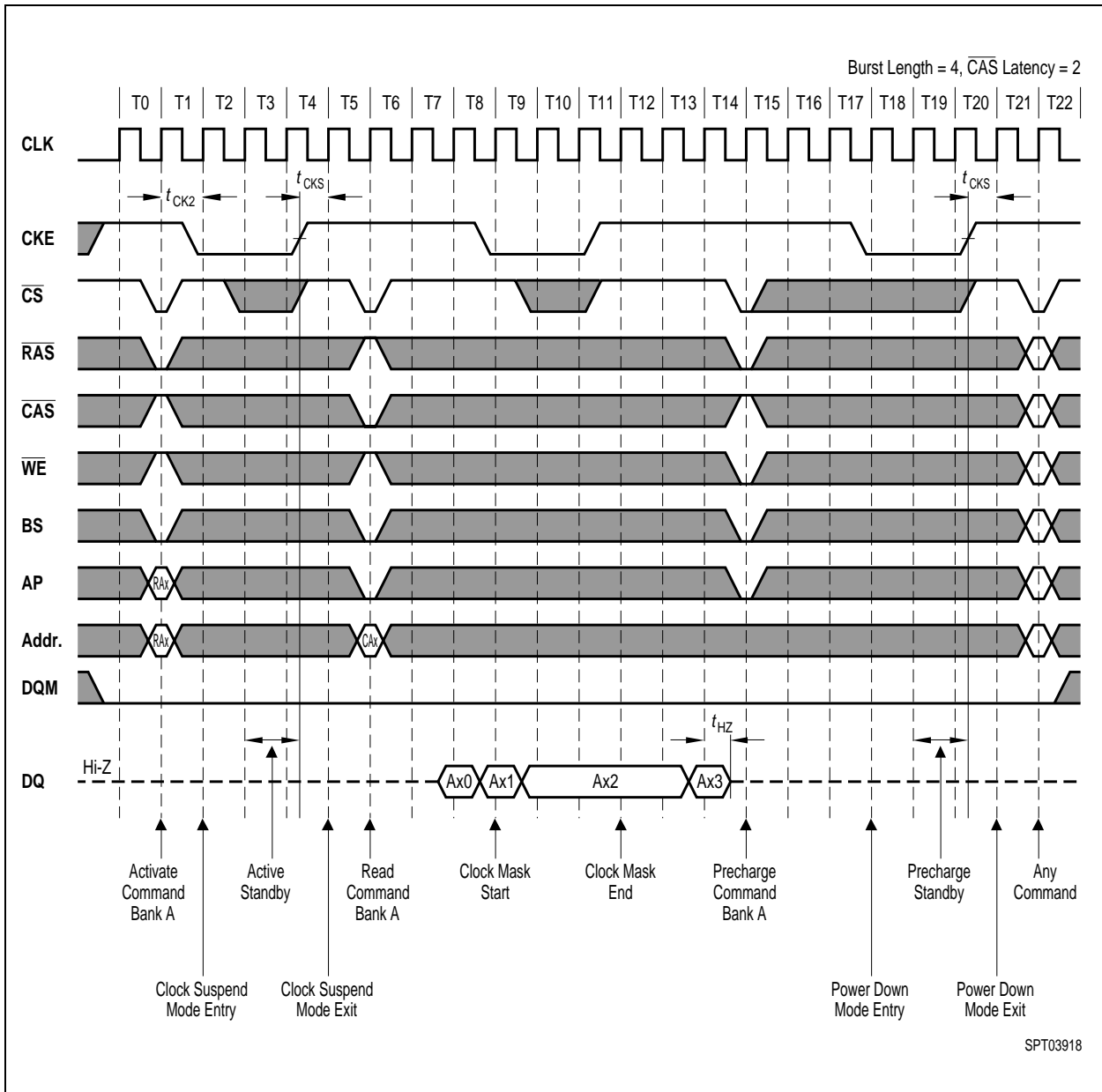
**11.3 Clock Suspension During Burst Write  $\overline{\text{CAS}}$  Latency = 2**



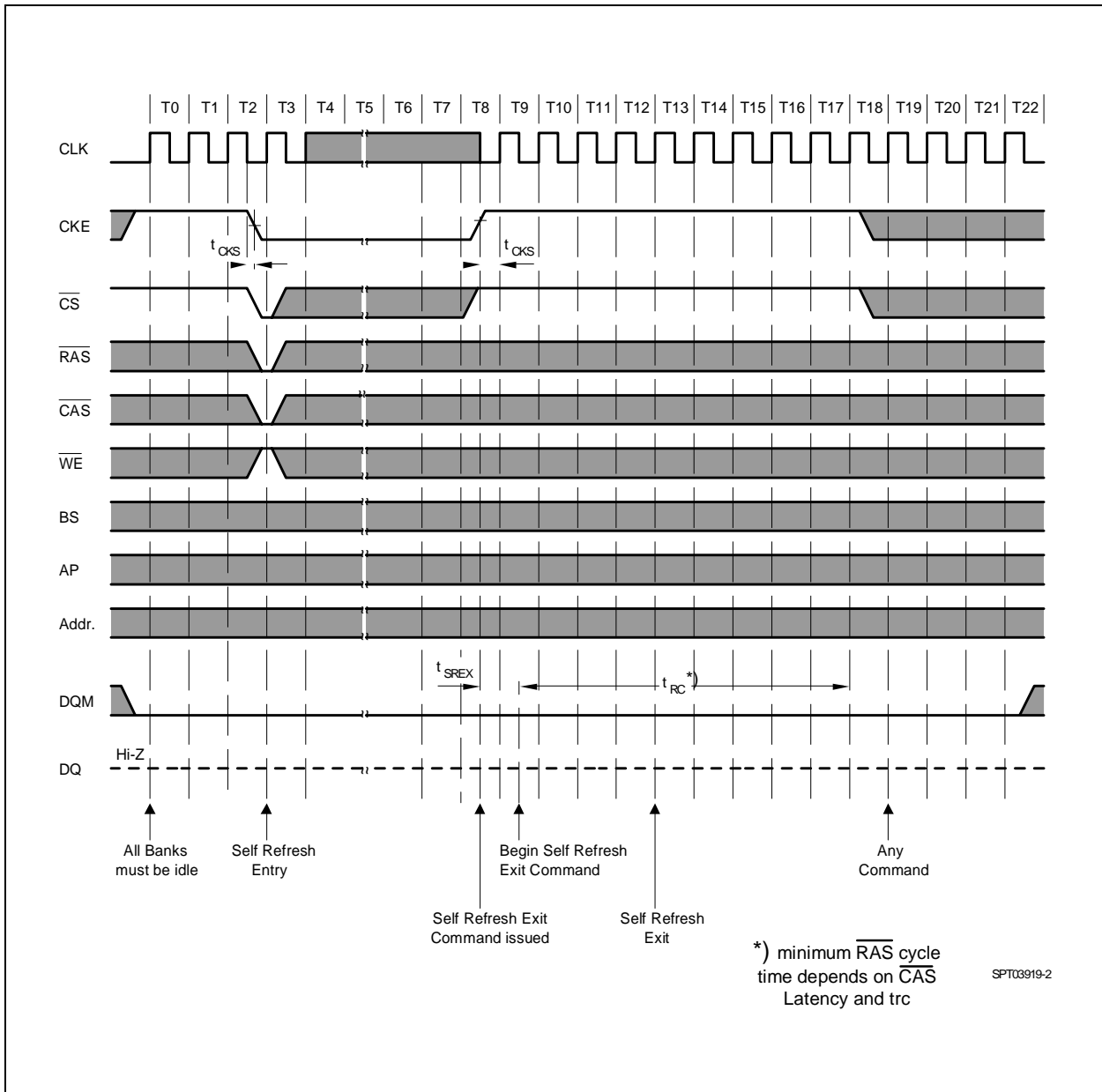
**11.4 Clock Suspension During Burst Write  $\overline{\text{CAS}}$  Latency = 3**



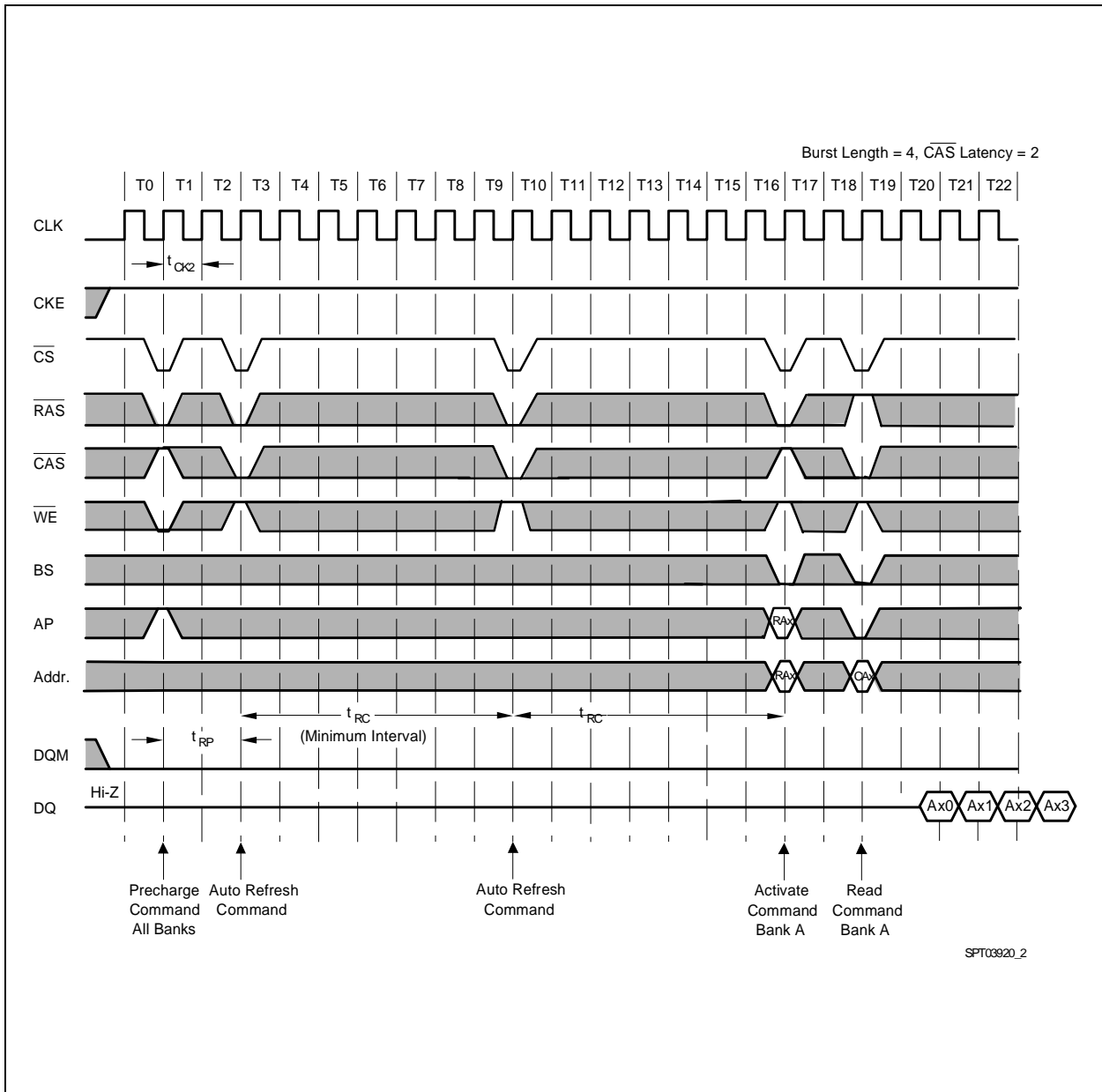
## 12. Power Down Mode and Clock Suspend



### 13. Self Refresh (Entry and Exit)

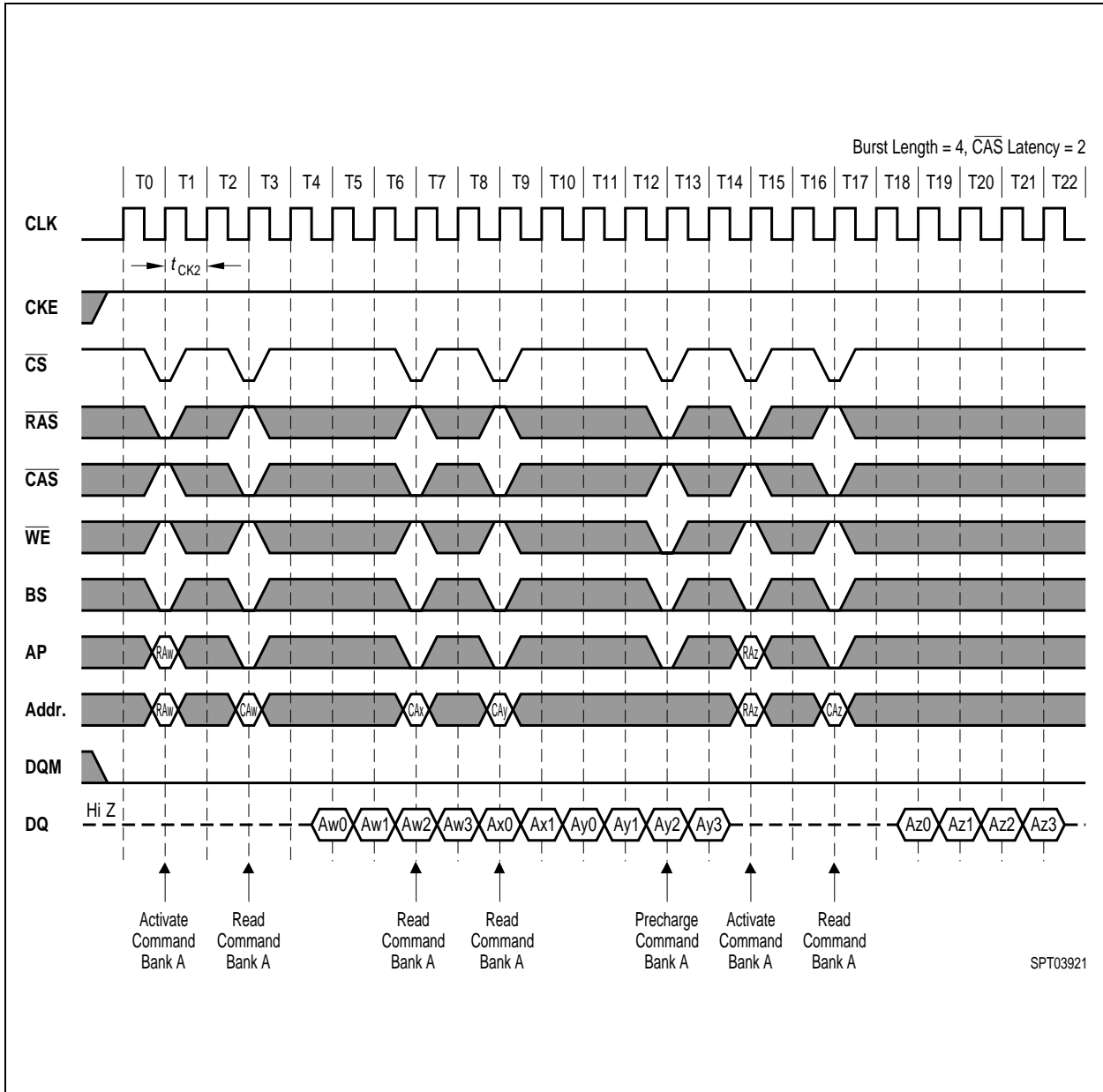


**14. Auto Refresh (CBR)**

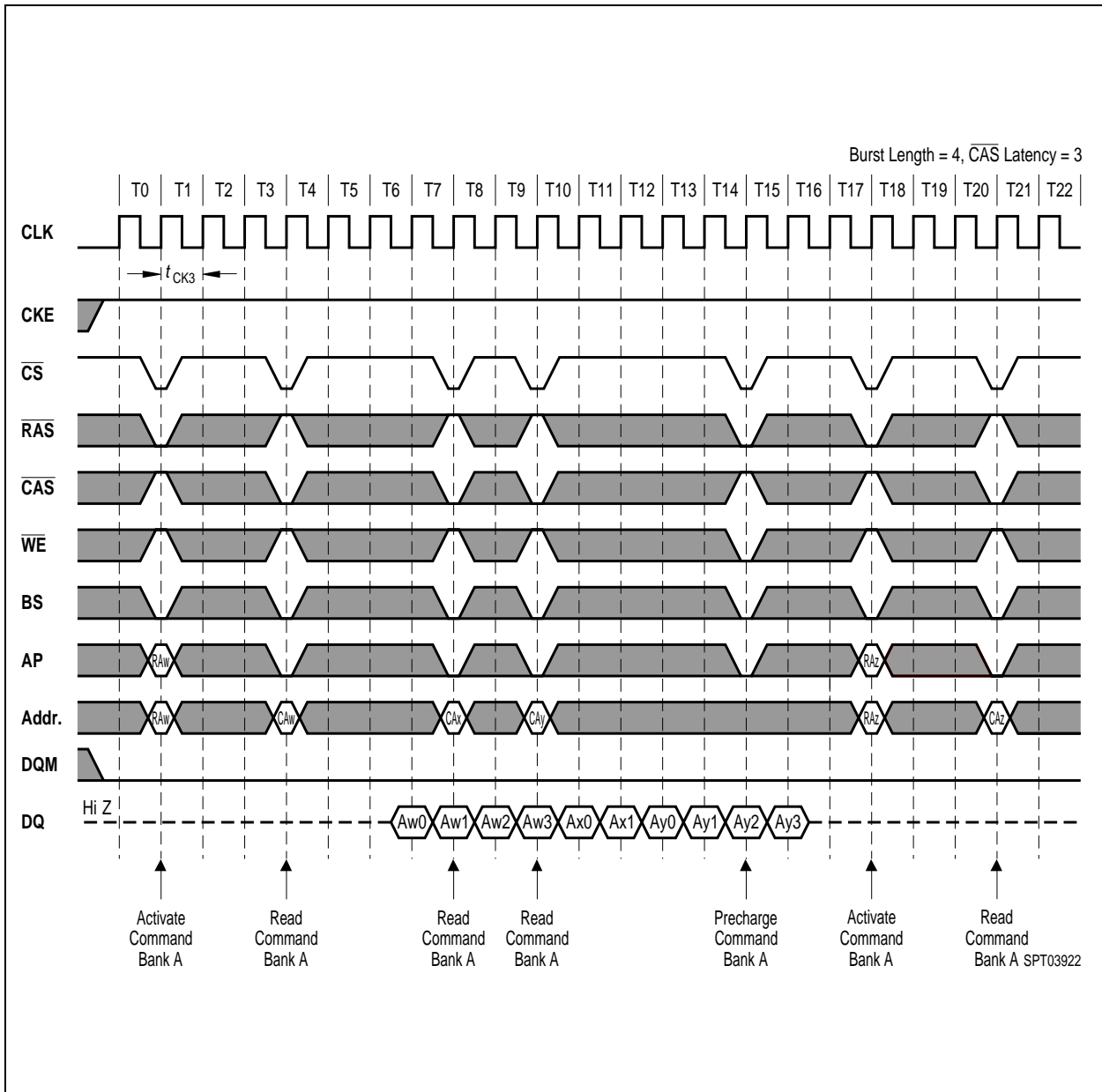


**15. Random Column Read (Page within same Bank)**

**15.1 CAS Latency = 2**



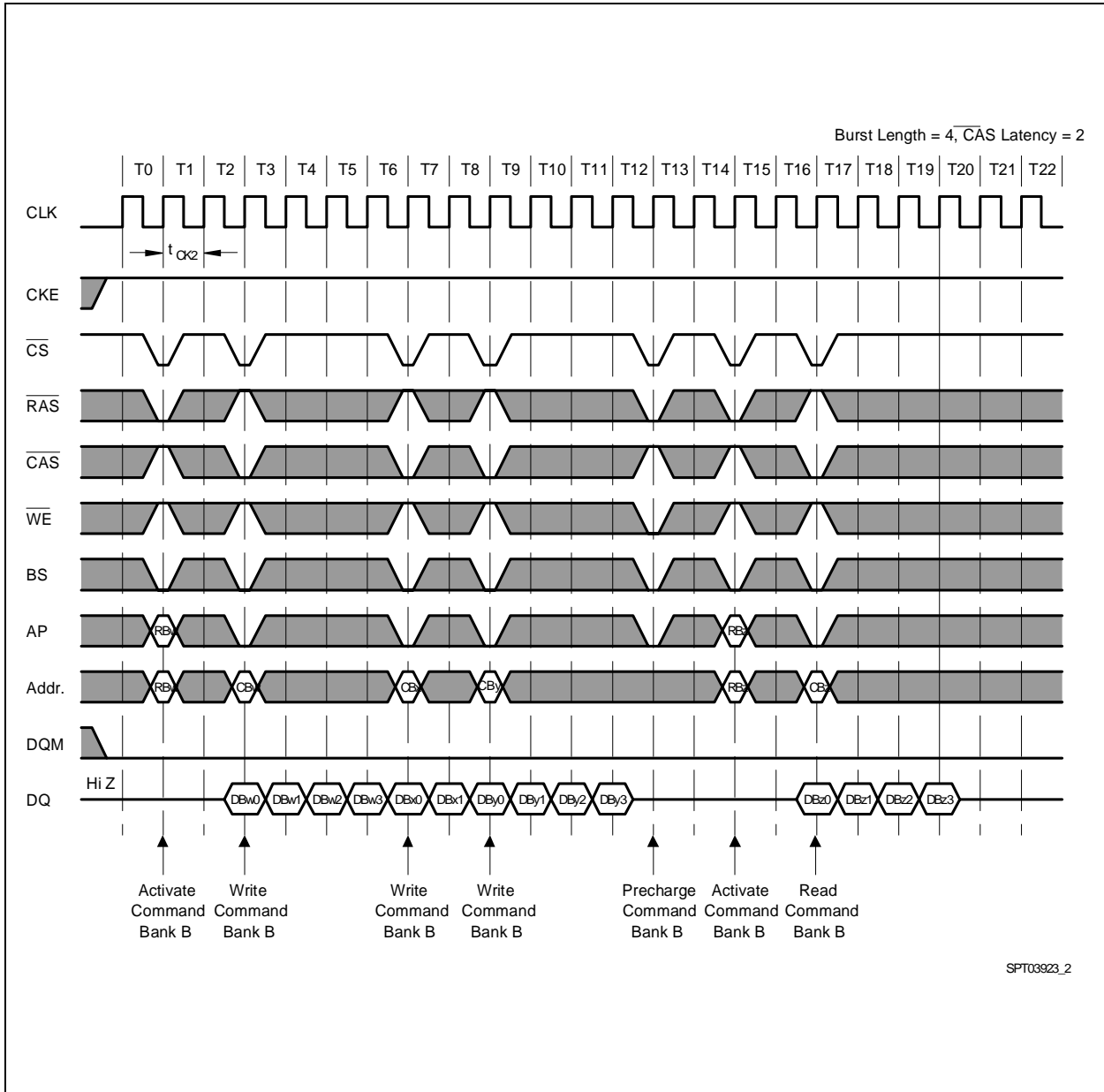
**15.2 CAS Latency = 3**



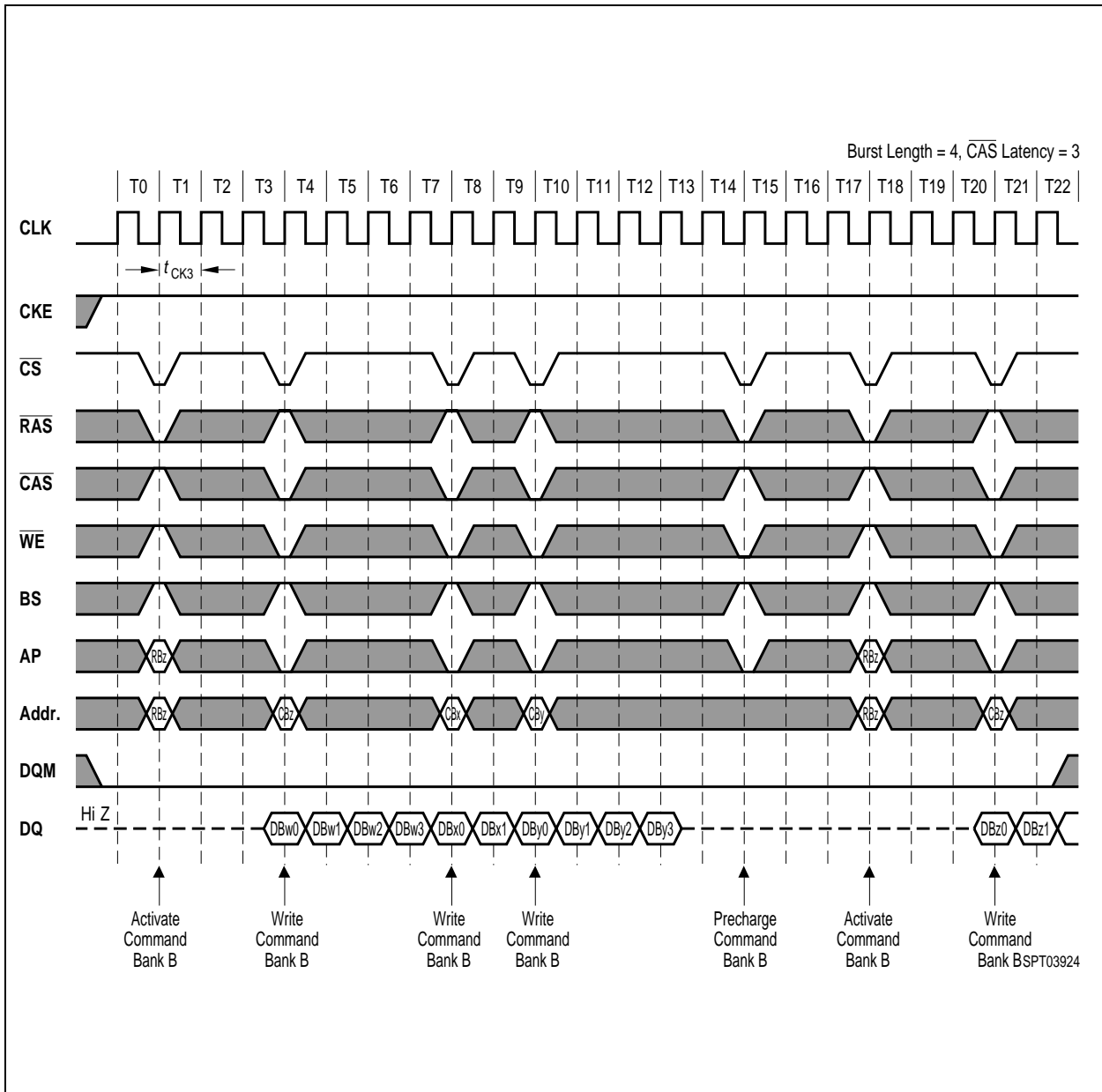


## 16. Random Column write (Page within same Bank)

### 16.1 CAS Latency = 2

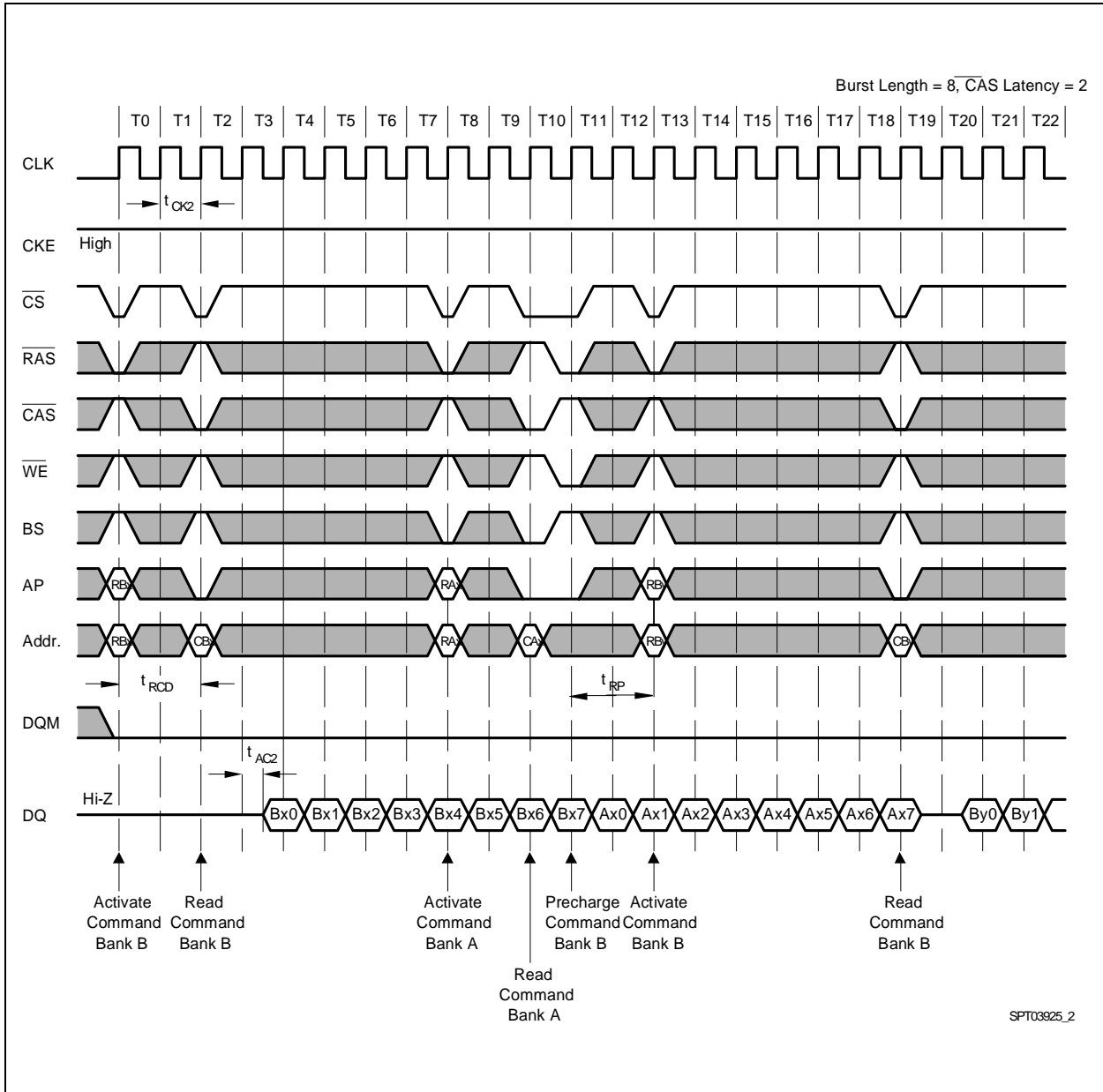


**16.2.  $\overline{\text{CAS}}$  Latency = 3**

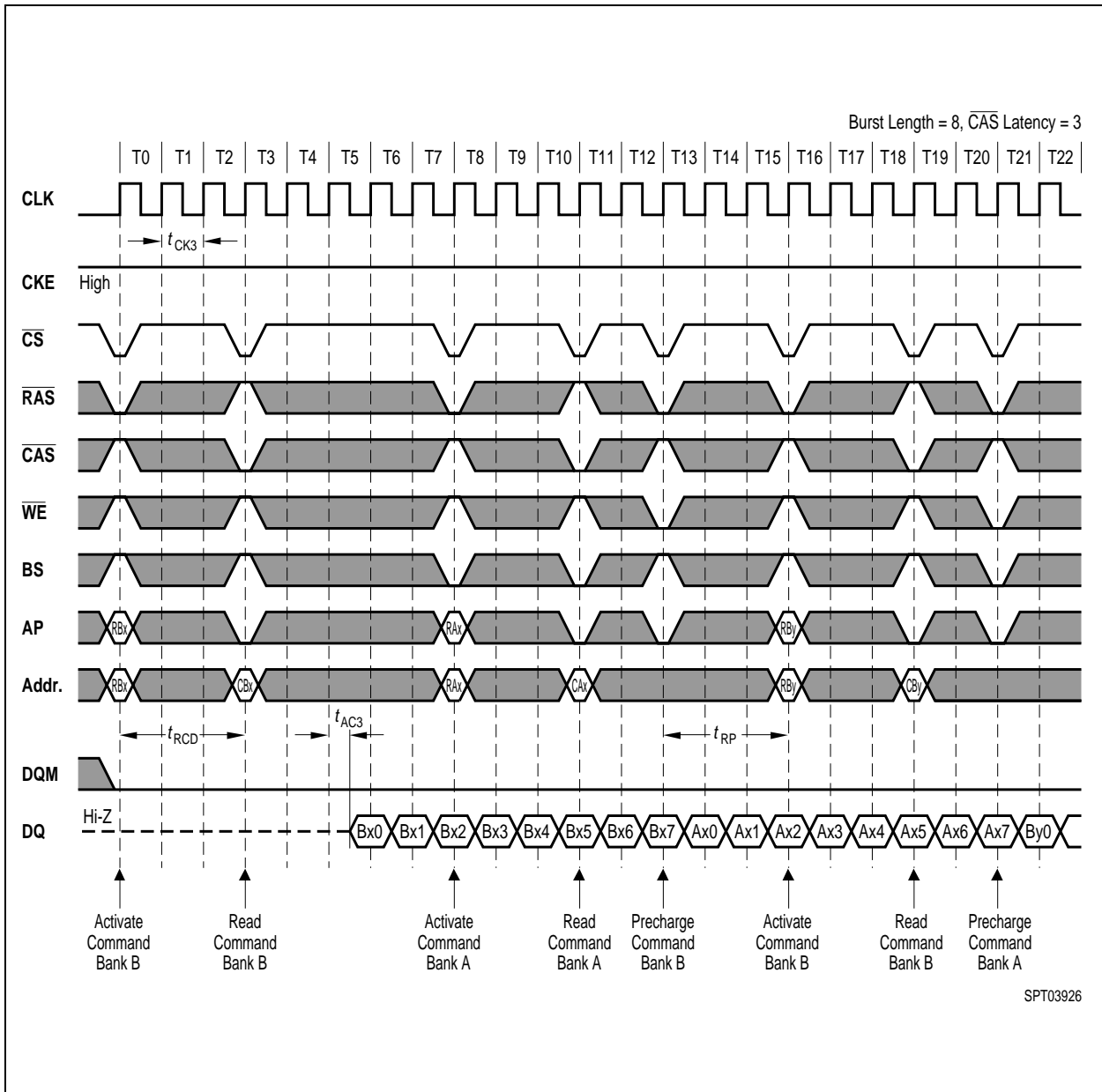


## 17. Random Row Read (Interleaving Banks) with Precharge

### 17.1 CAS Latency = 2

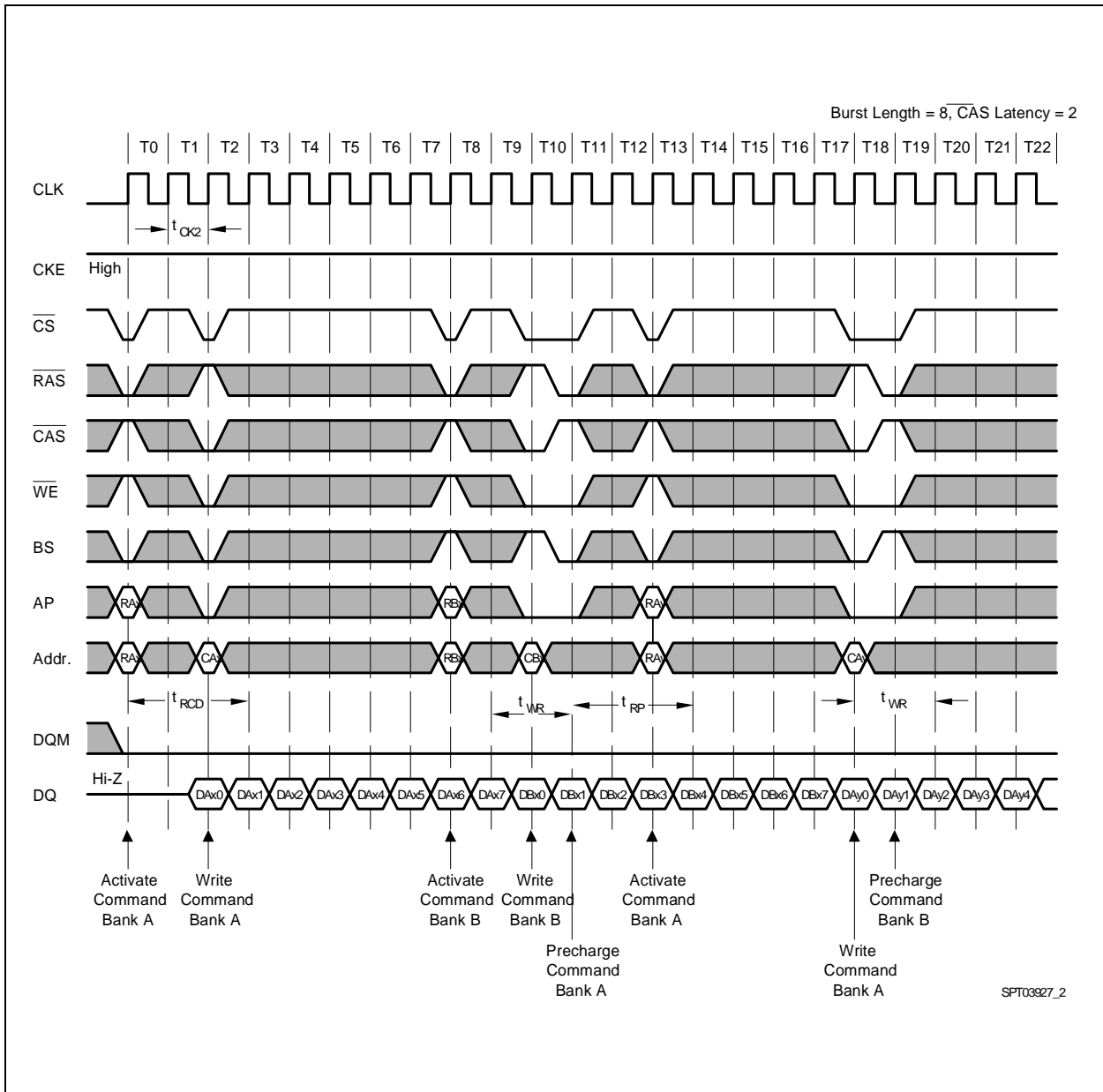


**17.2  $\overline{\text{CAS}}$  Latency = 3**

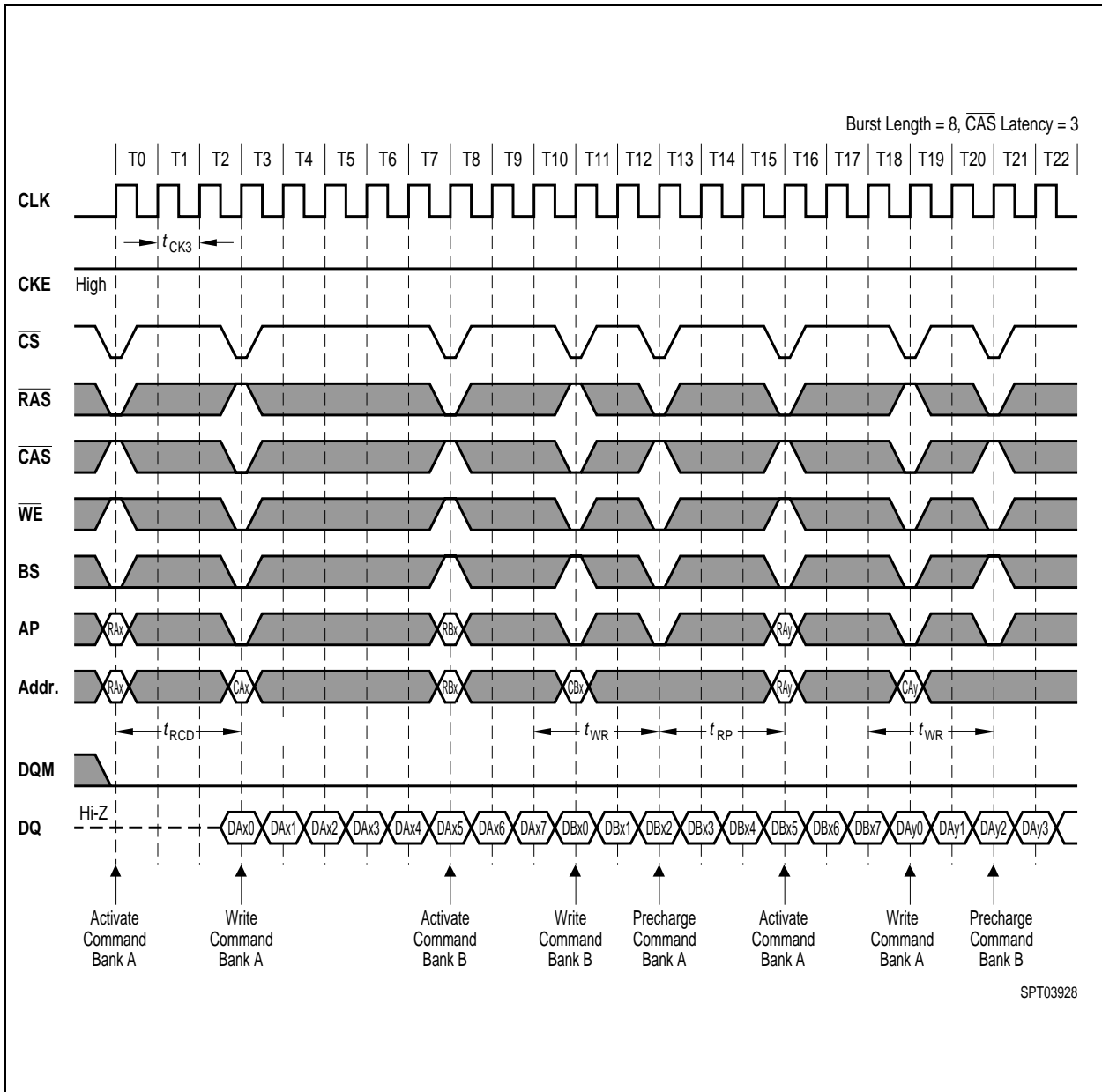


## 18. Random Row Write (Interleaving Banks) with Precharge

### 18.1 CAS Latency = 2

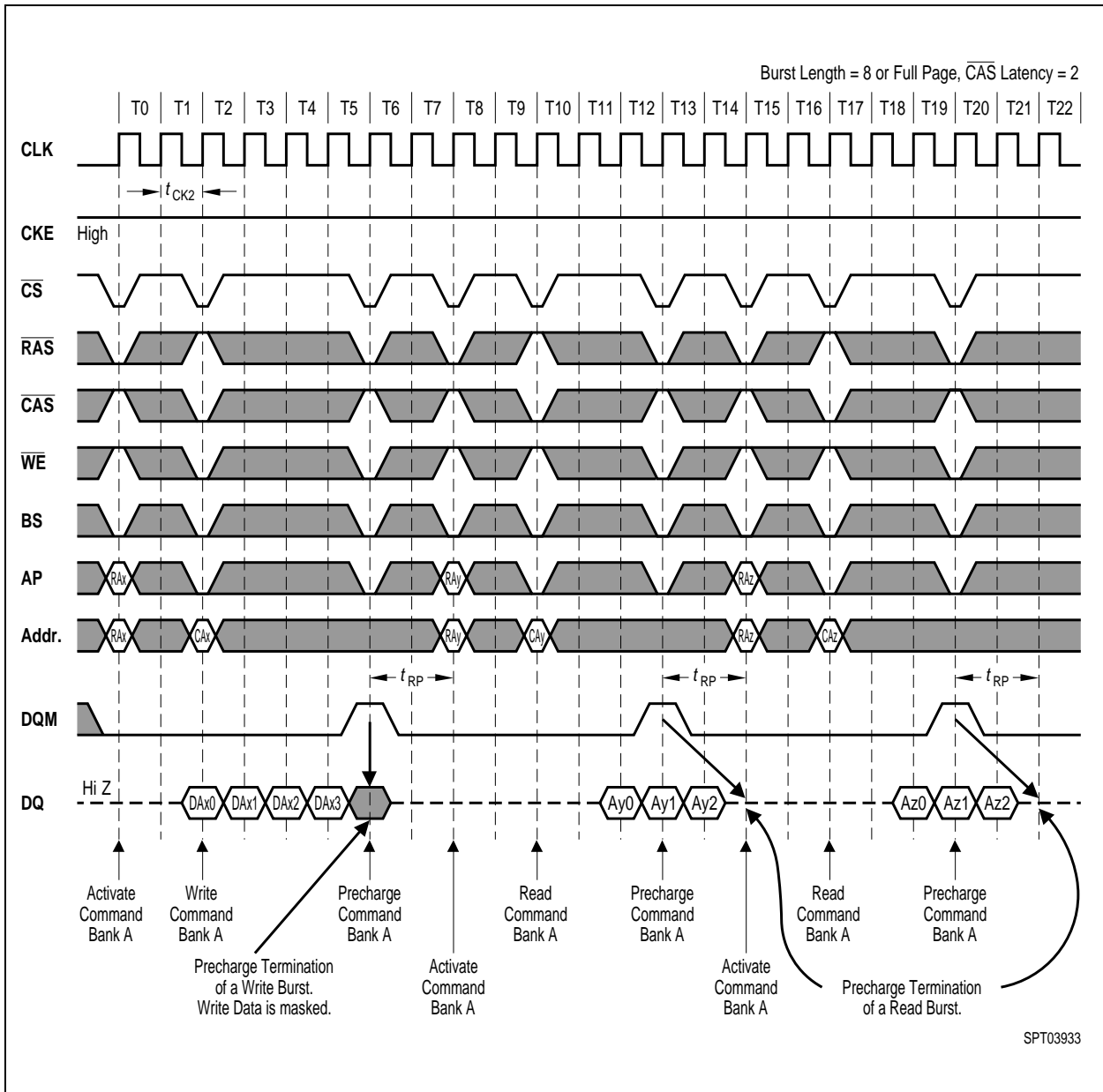


**18.2 CAS Latency = 3**



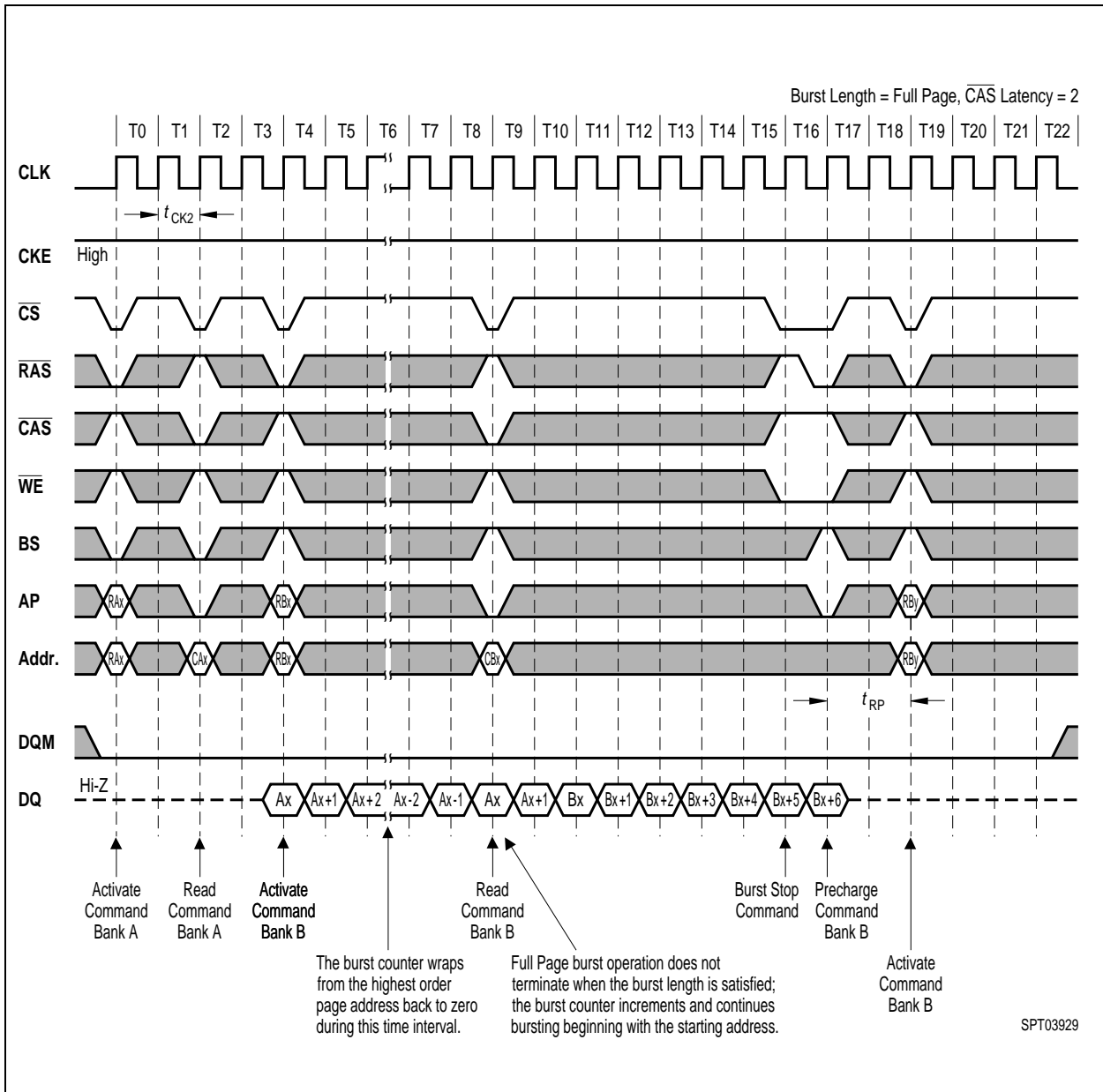
## 19. Precharge termination of a Burst

### 19.1 $\overline{\text{CAS}}$ Latency = 2



## 20. Full Page Burst Operation

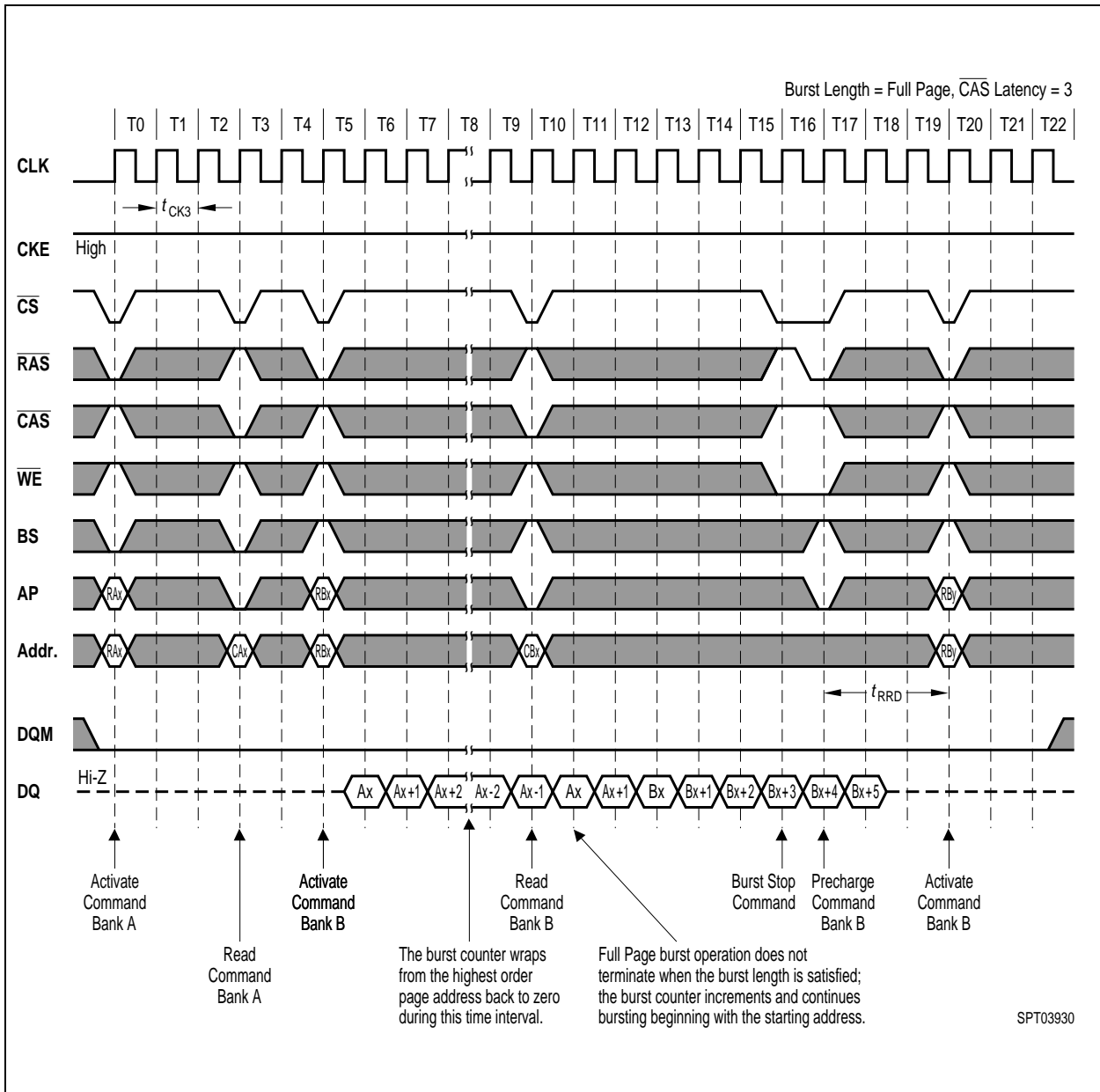
### 20.1 Full Page Burst Read, $\overline{\text{CAS}}$ Latency = 2





## 20. Full Page Burst Operation

### 20.2 Full Page Burst Write, $\overline{\text{CAS}}$ Latency = 3



**Attention please !**

As far as patents or other rights of third parties are concerned, liability is only assumed for components, not for applications, processes and circuits implemented within components or assemblies. This information describes the type of components and shall not be considered as assured characteristics. Terms of delivery and rights to change design reserved.

For questions on technology, delivery and prices please contact INFINEON Technologies Offices in Munich or the INFINEON Technologies Sales Offices and Representatives worldwide.

Due to technical requirements components may contain dangerous substances. For information on the types in question please contact your nearest INFINEON Technologies office or representative.

**Packing**

Please use the recycling operators known to you. We can help you - get in touch with your nearest sales office. By agreement we will take packing material back, if it is sorted. You must bear the costs of transport. For packing material that is returned to us unsorted or which we are not obliged to accept, we shall have to invoice you for any costs incurred.

**Components used in life-support devices or systems must be expressly authorized for such purpose!**

Critical components<sup>1</sup> of INFINEON Technologies, may only be used in life-support devices or systems<sup>2</sup> with the express written approval of INFINEON Technologies.

1. A critical component is a component used in a life-support device or system whose failure can reasonably be expected to cause the failure of that life-support device or system, or to affect the safety or effectiveness of that device or system.

2. Life support devices or systems are intended (a) to be implanted in the human body, or (b) to support and/or maintain and sustain human life. If they fail, it is reasonable to assume that the health of the user may be endangered.